

TLE75080-ESD

SPIDER+ 12V

SPI Driver for Enhanced Relay Control



| | |
|----------------|-------------|
| Package | PG-TSDSO-24 |
| Marking | TLE75080ESD |

1 Overview

Applications

- High-side switches for 12 V in automotive or industrial applications such as lighting, heating, motor driving, energy and power distribution
- Especially designed for driving relays, LEDs and motors.

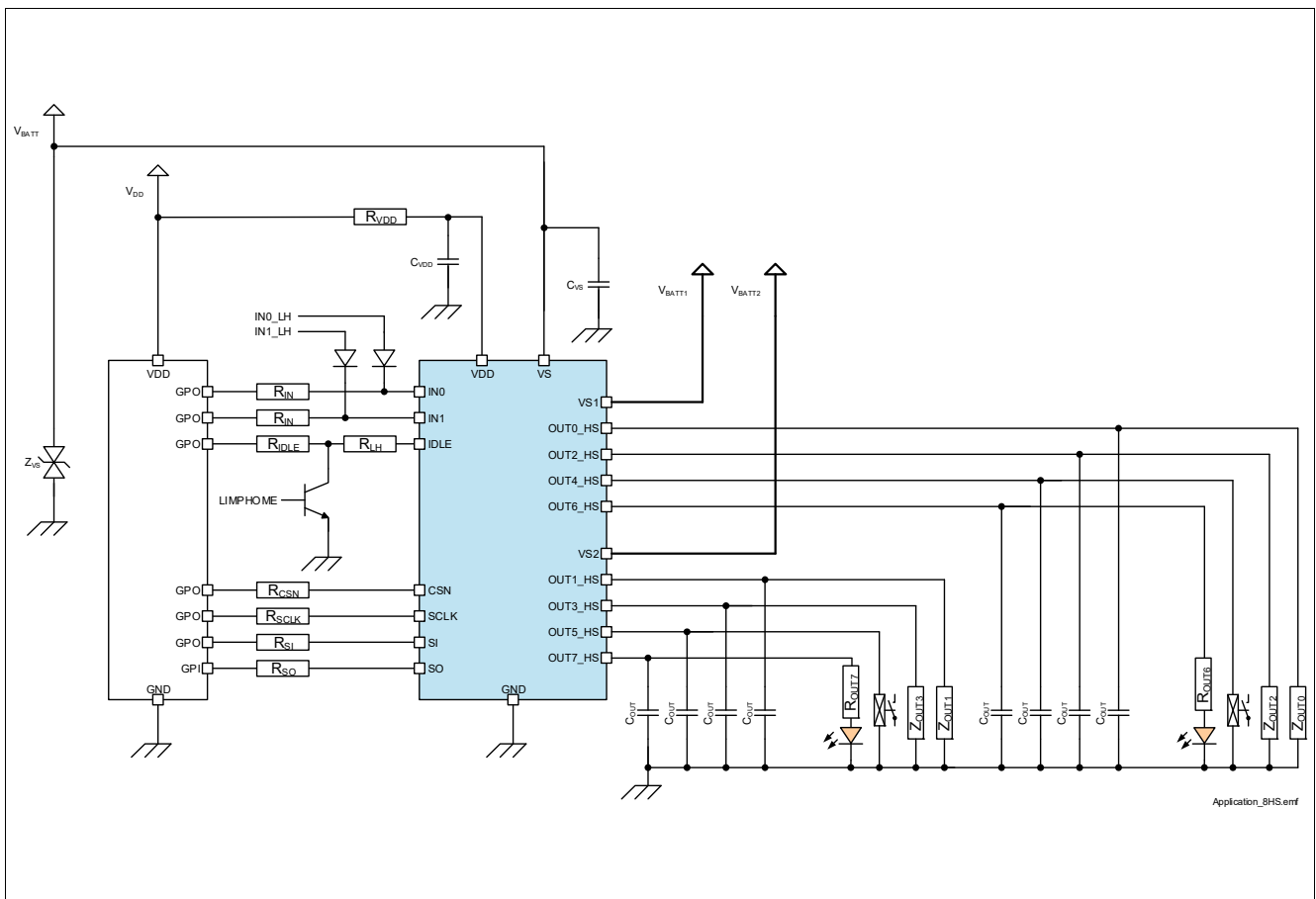
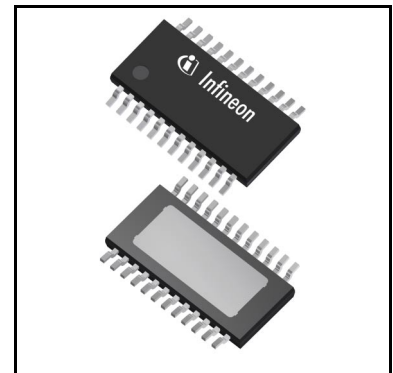


Figure 1 TLE75080-ESD Application Diagram

Overview

Basic Features

- 16-bit serial peripheral interface for control and diagnosis
- Daisy Chain capability SPI also compatible with 8-bit SPI devices
- 2 CMOS compatible parallel input pins with Input Mapping functionality
- Cranking capability down to $V_S = 3.0\text{ V}$ (supports LV124)
- Digital supply voltage range compatible with 3.3 V and 5 V microcontrollers
- Two independent battery feeds (V_{S1} , V_{S2}) for high-side channels
- Very low quiescent current (with usage of IDLE pin)
- Limp Home mode (with usage of IDLE and IN pins)
- Green Product (RoHS compliant)
- AEC Qualified

Protection Features

- Reverse battery protection on V_S without external components
- Short circuit to ground and battery protection
- Stable behavior at under voltage conditions (“Lower Supply Voltage Range for Extended Operation”)
- Over Current latch OFF
- Thermal shutdown latch OFF
- Overvoltage protection
- Loss of ground protection
- Loss of battery protection
- Electrostatic discharge (ESD) protection

Diagnostic Features

- Latched diagnostic information via SPI register
- Over Load detection at ON state
- Open Load detection at OFF state using Output Status Monitor function
- Output Status Monitor
- Input Status Monitor

Application Specific Features

- Fail-safe activation via Input pins in Limp-Home Mode
- SPI with Daisy Chain capability
- Safe operation at low battery voltage (cranking)
- Two supply pins for different battery feeds (each pin is the power drain of four high-side channels)

Description

The TLE75080-ESD is an eight channel high-side power switch in PG-TSDSO-24 package providing embedded protective functions. It is specially designed to control relays and LEDs in automotive and industrial applications.

A serial peripheral interface (SPI) is utilized for control and diagnosis of the loads as well as of the device. For direct control and PWM there are two input pins available connected to two outputs by default. Additional or different outputs can be controlled by the same input pins (programmable via SPI).

Overview

Table 1 Product Summary

| Parameter | Symbol | Values |
|---|---------------|--|
| Analog supply voltage | V_S | 3.0 V ... 28 V |
| Digital supply voltage | V_{DD} | 3.0 V ... 5.5 V |
| Minimum overvoltage protection | $V_{S(AZ)}$ | 42 V (see Chapter 8.5 for details) |
| Maximum on-state resistance at $T_J = 150\text{ °C}$ | $R_{DS(ON)}$ | 2.2 Ω |
| Nominal load current ($T_A = 85\text{ °C}$, all channels) | $I_{L(NOM)}$ | 330 mA |
| Maximum Energy dissipation - repetitive | E_{AR} | 10 mJ @ $I_{L(EAR)} = 220\text{ mA}$ |
| Maximum Source to Ground clamping voltage | $V_{OUT(CL)}$ | -16 V |
| Maximum overload switch OFF threshold | $I_{L(OVLO)}$ | 2.3 A |
| Maximum total quiescent current at $T_J \leq 85\text{ °C}$ | I_{SLEEP} | 5 μA |
| Maximum SPI clock frequency | f_{SCLK} | 5 MHz |

Detailed Description

The TLE75080-ESD is an eight channel high-side switch providing embedded protective functions. The output stages incorporate eight high-side switches (typical $R_{DS(ON)}$ at $T_J = 25\text{ °C}$ is 1 Ω).

The 16-bit serial peripheral interface (SPI) is utilized to control and diagnose the device and the loads. The SPI interface provides daisy chain capability in order to assemble multiple devices (also devices with 8 bit SPI) in one SPI chain by using the same number of microcontroller pins.

This device is designed for low supply voltage operation, therefore being able to keep its state at low battery voltage ($V_S \geq 3.0\text{ V}$). The SPI functionality, including the possibility to program the device, is available only when the digital power supply is present (see [Chapter 6](#) for more details).

The TLE75080-ESD is equipped with two input pins that are connected to two outputs, making them controllable even when the digital supply voltage is not available. With the Input Mapping functionality it is possible to connect the input pins to different outputs, or assign more outputs to the same input pin. In this case more channels can be controlled with one signal applied to one input pin.

In Limp Home mode (Fail-Safe mode) the input pins are directly routed to channels 2 and 3. When IDLE pin is “low”, it is possible to activate the two channels using the input pins independently from the presence of the digital supply voltage.

The device provides diagnosis of the load via Open Load at OFF state (with **DIAG_OSM.OUTn** bits) and short circuit detection. For Open Load at OFF state detection, an internal current source I_{OL} can be activated via SPI.

Each output stage is protected against short circuit. In case of Overload, the affected channel switches OFF when the Overload Detection Current $I_{L(OVLn)}$ is reached and can be reactivated via SPI. In Limp Home mode operation, the channels connected to an input pin set to “high” restart automatically after Output Restart time $t_{RETRY(LH)}$ is elapsed. Temperature sensors are available for each channel to protect the device against Over Temperature.

The power transistors are built by N-channel power MOSFET with one central chargepump. The inputs are ground referenced TTL compatible. The device is monolithically integrated in Smart Power Technology.

Block Diagram and Terms

2 Block Diagram and Terms

2.1 Block Diagram

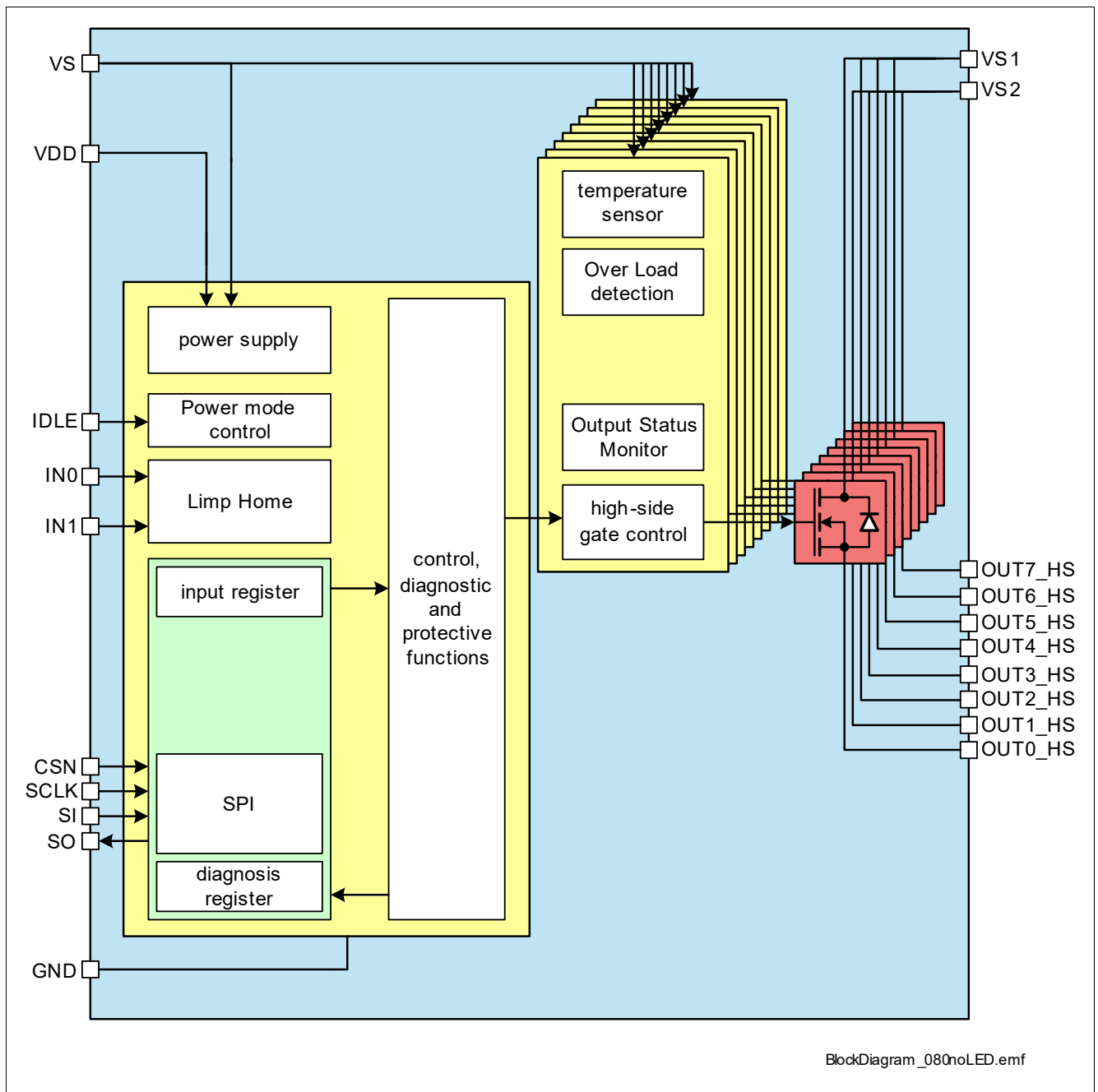


Figure 2 Block Diagram of TLE75080-ESD

Block Diagram and Terms

2.2 Terms

Figure 3 shows all terms used in this data sheet, with associated convention for positive values.

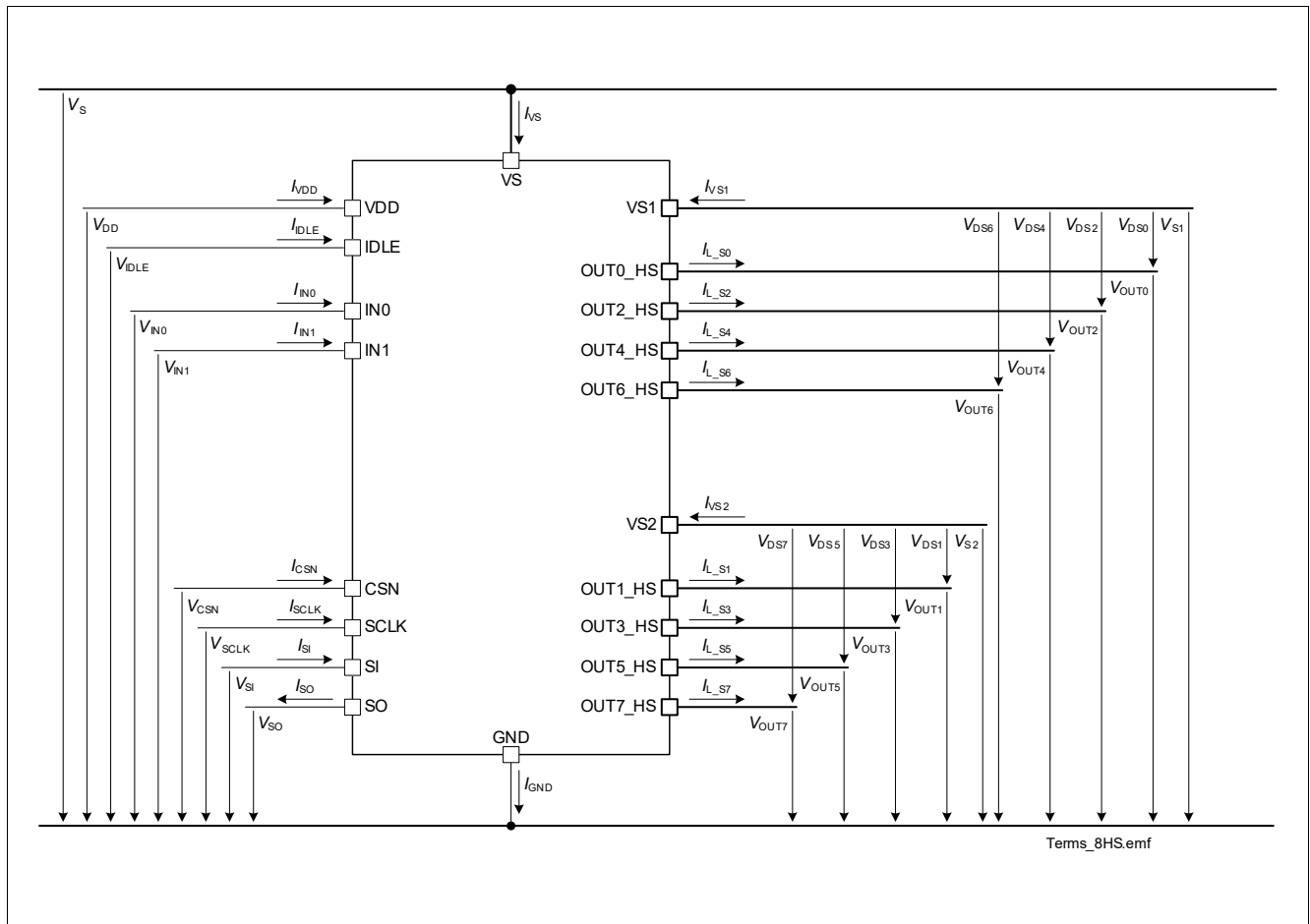


Figure 3 Voltage and Current definition

In all tables of electrical characteristics the channel related symbols without channel numbers are valid for each channel separately (e.g. V_{DS} specification is valid for $V_{DS0} \dots V_{DS7}$).

Furthermore, parameters relative to output current can be indicated without specifying whether the current is going into the Drain pin or going out of the Source pin, unless otherwise specified. For instance, nominal output current can be indicated in the following ways: $I_{L(NOM)}$ $I_{L_HS(NOM)}$ $I_{L_S(NOM)}$

All SPI registers bits are marked as follows: ADDR . PARAMETER (e.g. HWCR . RST) with the exception of the bits in the Diagnosis frames which are marked only with PARAMETER (e.g. UVRVS).

Pin Configuration

3 Pin Configuration

3.1 Pin Assignment

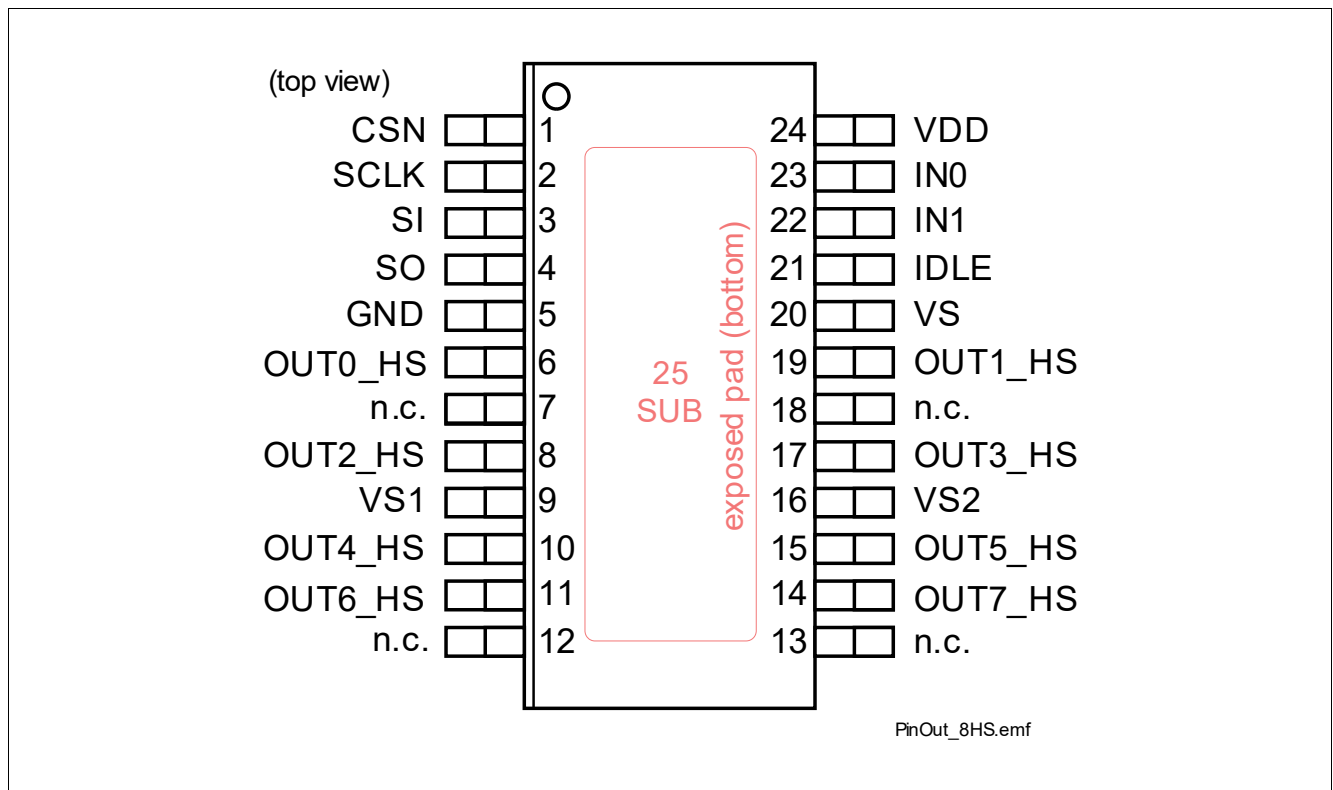


Figure 4 Pin Configuration TLE75080-ESD in PG-TSDSO-24

Pin Configuration

3.2 Pin Definitions and Functions

| Pin | Symbol | I/O | Function |
|--------------------------------|---------|-----|---|
| Power Supply Pins | | | |
| 20 | VS | – | Analog supply V_S Positive supply voltage for power switches gate control (incl. protections) |
| 9 | VS1 | – | Analog supply V_{S1} Positive supply voltage for power switches drain current (channels 0, 2, 4 and 6) |
| 16 | VS2 | – | Analog supply V_{S2} Positive supply voltage for power switches drain current (channels 1, 3, 5 and 7) |
| 24 | VDD | – | Digital supply V_{DD} Supply voltage for SPI with support function to V_S |
| 5 | GND | – | Ground Ground connection |
| SPI Pins | | | |
| 1 | CSN | I | Chip Select “low” active, integrated pull-up to V_{DD} |
| 2 | SCLK | I | Serial Clock “high” active, integrated pull-down to ground |
| 3 | SI | I | Serial Input “high” active, integrated pull-down to ground |
| 4 | SO | O | Serial Output “Z” (tri-state) when CSN is “high” |
| Input and Stand-by Pins | | | |
| 21 | IDLE | I | Idle mode power mode control, “high” activates Idle mode, integrated pull-down to ground |
| 23 | IN0 | I | Input pin 0 connected to channel 2 by default and in Limp Home mode, “high” active, integrated pull-down to ground |
| 22 | IN1 | I | Input pin 1 connected to channel 3 by default and in Limp Home mode, “high” active, integrated pull-down to ground |
| Power Output Pins | | | |
| 6 | OUT0_HS | O | Source of high-side power transistor (channel 0) |
| 8 | OUT2_HS | O | Source of high-side power transistor (channel 2) |
| 10 | OUT4_HS | O | Source of high-side power transistor (channel 4) |
| 11 | OUT6_HS | O | Source of high-side power transistor (channel 6) |
| 14 | OUT7_HS | O | Source of high-side power transistor (channel 7) |

Pin Configuration

| Pin | Symbol | I/O | Function |
|---|---------------|------------|--|
| 15 | OUT5_HS | O | Source of high-side power transistor (channel 5) |
| 17 | OUT3_HS | O | Source of high-side power transistor (channel 3) |
| 19 | OUT1_HS | O | Source of high-side power transistor (channel 1) |
| Not Connected pins / Cooling Tab | | | |
| 7, 12, 13, 18 | n.c. | – | Not Connected, internally not bonded |
| 25 | GND | – | Exposed pad It is recommended to connect it to PCB ground for cooling and EMC - not usable as electrical GND pin. Electrical ground must be provided by pin 5. |

4 General Product Characteristics

4.1 Absolute Maximum Ratings

Table 2 Absolute Maximum Ratings ¹⁾

$T_J = -40\text{ °C to }+150\text{ °C}$

all voltages with respect to ground, positive current flowing into pin (unless otherwise specified)

Voltage ranges specified for V_S apply also to V_{S1} and V_{S2} (unless otherwise specified)

| Parameter | Symbol | Values | | | Unit | Note or Test Condition | Number |
|---|---------------|--------------------|------|--------------------|------|--|----------|
| | | Min. | Typ. | Max. | | | |
| Supply Voltages | | | | | | | |
| Analog Supply voltage | V_S | -0.3 | – | 28 | V | – | P_4.1.1 |
| Digital Supply voltage | V_{DD} | -0.3 | – | 5.5 | V | – | P_4.1.2 |
| Supply voltage for load dump protection | $V_{S(LD)}$ | – | – | 42 | V | ²⁾ | P_4.1.3 |
| Supply voltage for short circuit protection (single pulse) | $V_{S(SC)}$ | 0 | – | 28 | V | – | P_4.1.4 |
| Reverse polarity voltage | $-V_{S(REV)}$ | – | – | 16 | V | ³⁾ $T_{J(0)} = 25\text{ °C}$ $t \leq 2\text{ min}$ See Chapter 11 for general setup. $R_L = 70\ \Omega$ on all channels | P_4.1.5 |
| Current through VS pin | I_{VS} | -10 | – | 10 | mA | $t \leq 2\text{ min}$ | P_4.1.7 |
| Current through VDD pin | I_{VDD} | -50 | – | 10 | mA | $t \leq 2\text{ min}$ | P_4.1.8 |
| Power Stages | | | | | | | |
| Load current | $ I_L $ | – | – | $I_{L(OVL0)}$ | A | single channel | P_4.1.9 |
| Voltage at power transistor | V_{DS} | -0.3 | – | 42 | V | – | P_4.1.10 |
| Power transistor source voltage | V_{OUT_S} | -16 | – | $V_{OUT_D} + 0.3$ | V | – | P_4.1.11 |
| Power transistor drain voltage ($V_{OUT_S} \geq 0\text{ V}$) | V_{OUT_D} | $V_{OUT_S} - 0.3$ | – | 42 | V | – | P_4.1.12 |
| Power transistor drain voltage ($V_{OUT_S} < 0\text{ V}$) | V_{OUT_D} | -0.3 | – | 42 | V | – | P_4.1.59 |
| Maximum energy dissipation single pulse | E_{AS} | – | – | 50 | mJ | ⁴⁾ $T_{J(0)} = 25\text{ °C}$ $I_{L(0)} = 2 \cdot I_{L(EAR)}$ | P_4.1.13 |
| Maximum energy dissipation single pulse | E_{AS} | – | – | 25 | mJ | ⁴⁾ $T_{J(0)} = 150\text{ °C}$ $I_{L(0)} = 400\text{ mA}$ | P_4.1.14 |

General Product Characteristics

Table 2 Absolute Maximum Ratings (cont'd)¹⁾

$T_J = -40\text{ °C to }+150\text{ °C}$

all voltages with respect to ground, positive current flowing into pin (unless otherwise specified)

Voltage ranges specified for V_S apply also to V_{S1} and V_{S2} (unless otherwise specified)

| Parameter | Symbol | Values | | | Unit | Note or Test Condition | Number |
|---|----------|--------|------|------|------|---|----------|
| | | Min. | Typ. | Max. | | | |
| Maximum energy dissipation repetitive pulses - $I_{L(EAR)}$ | E_{AR} | - | - | 10 | mJ | 4) $T_{J(0)} = 85\text{ °C}$ $I_{L(0)} = I_{L(EAR)}$ $2 \cdot 10^6$ cycles | P_4.1.15 |

IDLE pin

| | | | | | | | |
|--------------------------|------------|-------|--|------|----|-----------------|----------|
| Voltage at IDLE pin | V_{IDLE} | -0.3 | | 5.5 | V | - | P_4.1.23 |
| Current through IDLE pin | I_{IDLE} | -0.75 | | 0.75 | mA | - | P_4.1.25 |
| Current through IDLE pin | I_{IDLE} | -10.0 | | 2.0 | mA | $t \leq 2$ min. | P_4.1.26 |

Input Pins

| | | | | | | | |
|----------------------------|----------|-------|--|------|----|-----------------|----------|
| Voltage at input pins | V_{IN} | -0.3 | | 5.5 | V | - | P_4.1.28 |
| Current through input pins | I_{IN} | -0.75 | | 0.75 | mA | - | P_4.1.30 |
| Current through input pins | I_{IN} | -10.0 | | 2.0 | mA | $t \leq 2$ min. | P_4.1.31 |

SPI Pins

| | | | | | | | |
|--------------------------------------|------------|-------|--|--------------|----|-----------------|----------|
| Voltage at chip select pin | V_{CSN} | -0.3 | | 5.5 | V | - | P_4.1.33 |
| Current through chip select pin | I_{CSN} | -0.75 | | 0.75 | mA | - | P_4.1.34 |
| Current through chip select pin | I_{CSN} | -10.0 | | 2.0 | mA | $t \leq 2$ min. | P_4.1.35 |
| Voltage at serial clock pin | V_{SCLK} | -0.3 | | 5.5 | V | | P_4.1.37 |
| Current through serial clock pin | I_{SCLK} | -0.75 | | 0.75 | mA | - | P_4.1.38 |
| Current through serial clock pin | I_{SCLK} | -10.0 | | 2.0 | mA | $t \leq 2$ min. | P_4.1.39 |
| Voltage at serial input pin | V_{SI} | -0.3 | | 5.5 | V | | P_4.1.41 |
| Current through serial input pin | I_{SI} | -0.75 | | 0.75 | mA | - | P_4.1.42 |
| Current through serial input pin | I_{SI} | -10.0 | | 2.0 | mA | $t \leq 2$ min. | P_4.1.43 |
| Voltage at serial output pin SO | V_{SO} | -0.3 | | $V_{DD}+0.3$ | V | | P_4.1.58 |
| Current through serial output pin SO | I_{SO} | -0.75 | | 0.75 | mA | | P_4.1.45 |
| Current through serial output pin SO | I_{SO} | -2.0 | | 10.0 | mA | $t \leq 2$ min. | P_4.1.46 |

Temperatures

| | | | | | | | |
|----------------------|-----------|-----|---|-----|----|---|----------|
| Junction Temperature | T_J | -40 | - | 150 | °C | - | P_4.1.48 |
| Storage Temperature | T_{stg} | -55 | - | 150 | °C | - | P_4.1.49 |

ESD Susceptibility

| | | | | | | | |
|--|-----------|----|---|---|----|-----------|----------|
| ESD Susceptibility HBM OUT pins vs. V_S or GND | V_{ESD} | -4 | - | 4 | kV | 5) HBM | P_4.1.50 |
| ESD Susceptibility HBM other pins | V_{ESD} | -2 | - | 2 | kV | 5) HBM | P_4.1.51 |

General Product Characteristics

Table 2 Absolute Maximum Ratings (cont'd)¹⁾

$T_J = -40\text{ °C to }+150\text{ °C}$

all voltages with respect to ground, positive current flowing into pin (unless otherwise specified)

Voltage ranges specified for V_S apply also to V_{S1} and V_{S2} (unless otherwise specified)

| Parameter | Symbol | Values | | | Unit | Note or Test Condition | Number |
|---|-----------|--------|------|------|------|------------------------|----------|
| | | Min. | Typ. | Max. | | | |
| ESD Susceptibility CDM Pin 1, 12, 13, 24 (corner pins) | V_{ESD} | -750 | – | 750 | V | ⁶⁾ CDM | P_4.1.52 |
| ESD Susceptibility CDM | V_{ESD} | -500 | – | 500 | V | ⁶⁾ CDM | P_4.1.54 |

- 1) Not subject to production test, specified by design.
- 2) For a duration of $t_{on} = 400\text{ ms}$; $t_{on}/t_{off} = 10\%$; limited to 100 pulses
- 3) Device is mounted on a FR4 2s2p board according to Jedec JESD51-2,-5,-7 at natural convection; the Product (Chip+Package) was simulated on a 76.2 * 114.3 * 1.5 mm board with 2 inner copper layers (2 * 70 μm Cu, 2 * 35 μm Cu). Where applicable a thermal via array under the exposed pad contacted the first inner copper layer.
- 4) Pulse shape represents inductive switch off: $I_L(t) = I_L(0) \times (1 - t / t_{pulse})$; $0 < t < t_{pulse}$
- 5) ESD susceptibility, Human Body Model “HBM” according to AEC Q100-002
- 6) ESD susceptibility, Charged Device Mode “CDM” according to AECQ100-011 Rev D

Notes

1. Stresses above the ones listed here may cause permanent damage to the device. Exposure to absolute maximum rating conditions for extended periods may affect device reliability.
2. Integrated protection functions are designed to prevent IC destruction under fault conditions described in the data sheet. Fault conditions are considered as “outside” normal operating range. Protection functions are not designed for continuous repetitive operation.

4.2 Functional Range

Table 3 Functional range

| Parameter | Symbol | Values | | | Unit | Note or Test Condition | Number |
|---|------------------|--------|------|------|------|------------------------------|---------|
| | | Min. | Typ. | Max. | | | |
| Supply Voltage Range for Normal Operation | $V_{S(NOR)}$ | 7 | – | 18 | V | – | P_4.2.1 |
| Upper Supply Voltage Range for Extended Operation | $V_{S(EXT,UP)}$ | 18 | – | 28 | V | Parameter deviation possible | P_4.2.2 |
| Lower Supply Voltage Range for Extended Operation | $V_{S(EXT,LOW)}$ | 3 | – | 7 | V | Parameter deviation possible | P_4.2.3 |
| Junction Temperature | T_J | -40 | – | 150 | °C | – | P_4.2.4 |
| Logic supply voltage | V_{DD} | 3 | – | 5.5 | V | – | P_4.2.5 |

Note: Within the functional or operating range, the IC operates as described in the circuit description. The electrical characteristics are specified within the conditions given in the Electrical Characteristics table.

General Product Characteristics

4.3 Thermal Resistance

Note: This thermal data was generated in accordance with JEDEC JESD51 standards. For more information, go to www.jedec.org.

Table 4 Thermal Resistance

| Parameter | Symbol | Values | | | Unit | Note or Test Condition | Number |
|-----------------------------|-------------|--------|------|------|------|--|---------|
| | | Min. | Typ. | Max. | | | |
| Junction to Soldering Point | R_{thJSP} | – | 3 | 5 | K/W | ¹⁾ measured to exposed pad (pin 25) | P_4.3.4 |
| Junction to Ambient | R_{thJA} | – | 28 | – | K/W | ¹⁾²⁾ | P_4.3.5 |

- 1) not subject to production test, specified by design
- 2) Specified R_{thJA} value is according to Jedec JESD51-2,-5,-7 at natural convection on FR4 2s2p board; the Product (Chip+Package) was simulated on a 76.2 * 114.3 * 1.5 mm board with 2 inner copper layers (2 * 70 μ m Cu, 2 * 35 μ m Cu). Where applicable a thermal via array under the exposed pad contacted the first inner copper layer.

4.3.1 PCB set up

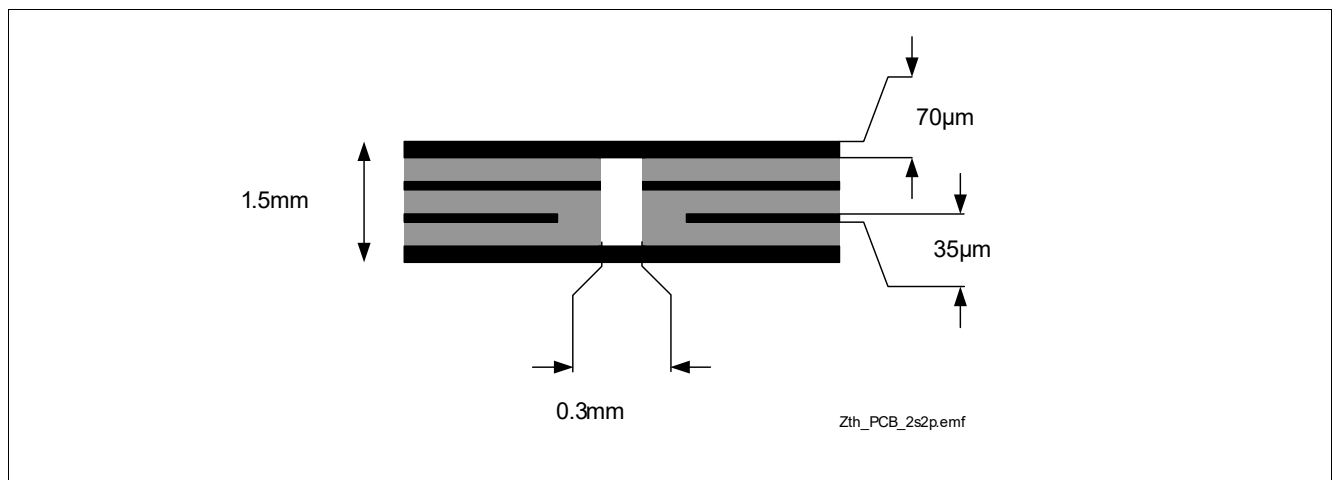


Figure 5 2s2p PCB Cross Section

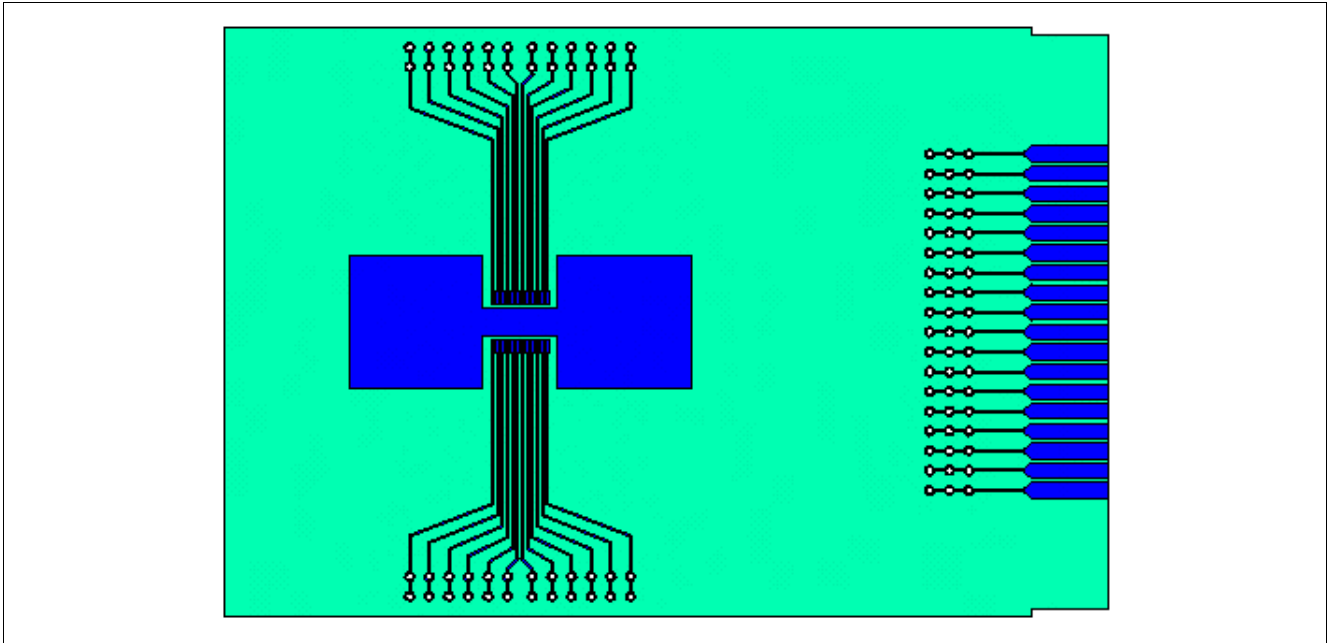


Figure 6 PC Board for Thermal Simulation with 600 mm² Cooling Area

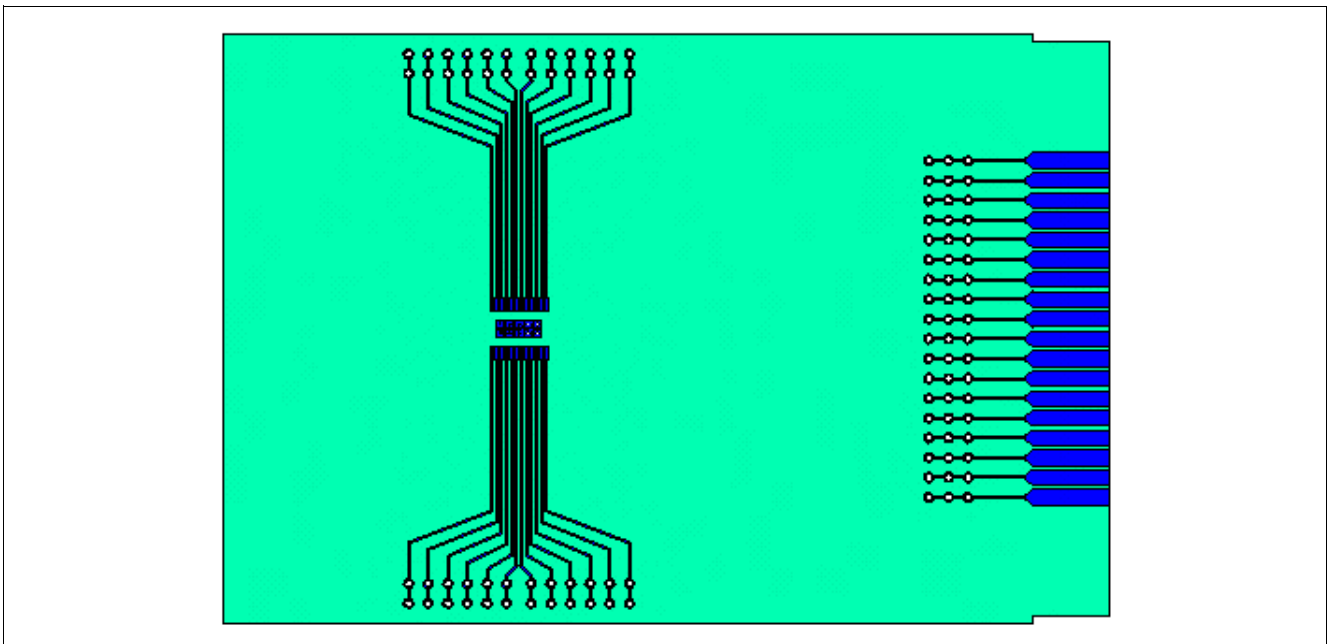


Figure 7 PC Board for Thermal Simulation with 2s2p Cooling Area

4.3.2 Thermal Impedance

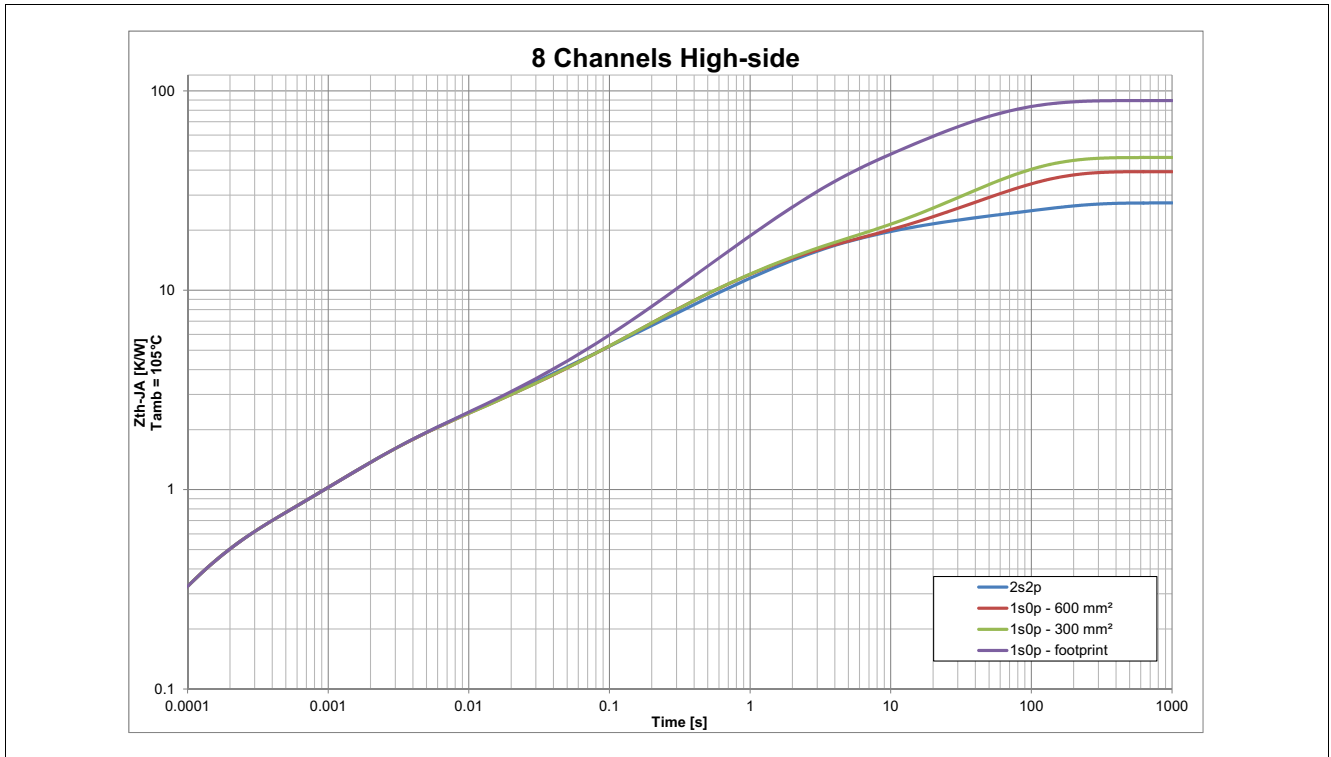


Figure 8 Typical Thermal Impedance. PCB setup according Chapter 4.3.1

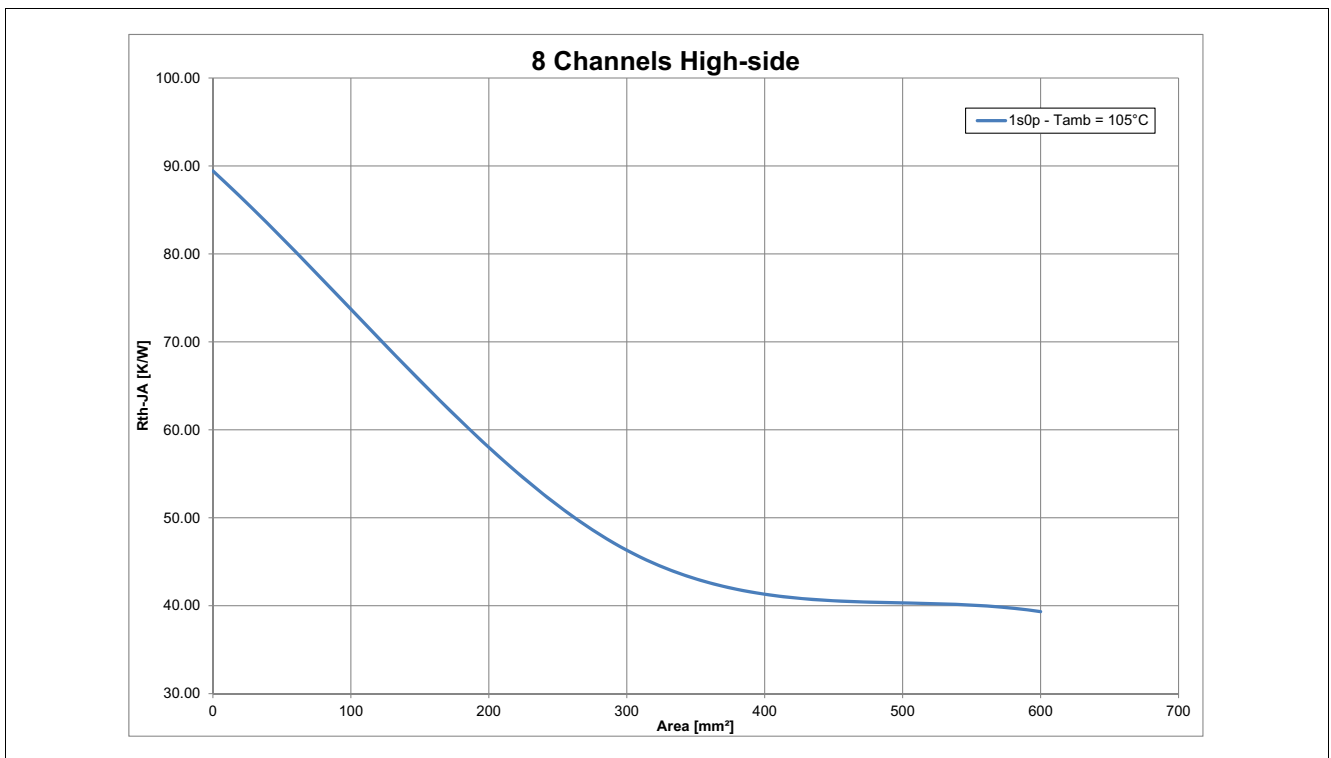


Figure 9 Typical Thermal Resistance. PCB setup 1s0p

Control Pins

5 Control Pins

The device has three pins (IN0, IN1 and IDLE) to control directly the device without using SPI.

5.1 Input pins

TLE75080-ESD has two input pins available. Each input pin is connected by default to one channel (IN0 to channel 2, IN1 to channel 3). Input Mapping Registers **MAPIN0** and **MAPIN1** can be programmed to connect additional or different channels to each input pin, as shown in **Figure 10**. The signals driving the channels are an OR combination between **OUT** register status, IN0 and IN1 (according to Input Mapping registers status).

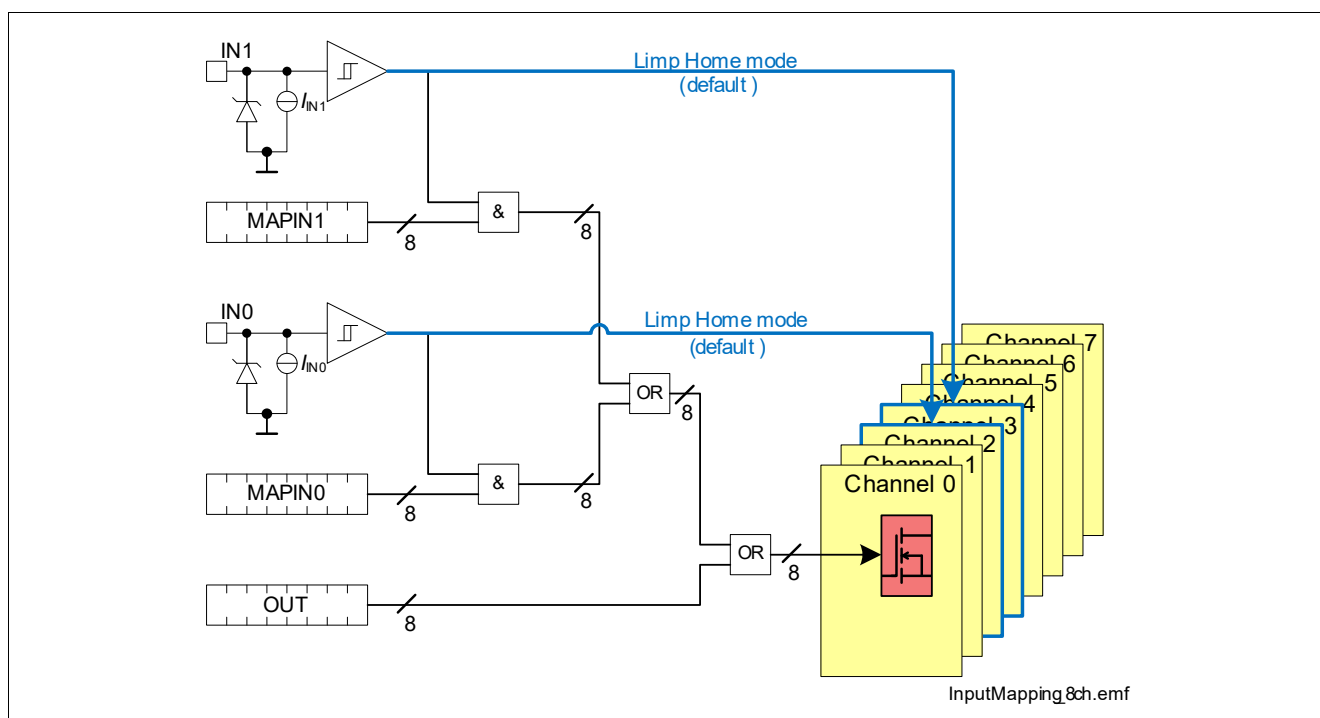


Figure 10 Input Mapping

The logic level of the input pins can be monitored via the Input Status Monitor Register (**INST**). The Input Status Monitor is operative also when TLE75080-ESD is in Limp Home mode. If one of the Input pins is set to “high” and the IDLE pin is set to “low”, the device switches into Limp Home mode and activates the channel mapped by default to the input pins. See **Chapter 6.1.5** for further details.

5.2 IDLE pin

The IDLE pin is used to bring the device into Sleep mode operation when is set to “low” and all input pins are set to “low”. When IDLE pin is set to “low” while one of the input pins is set to “high” the device enters Limp Home mode.

To ensure a proper mode transition, IDLE pin must be set for at least $t_{IDLE2SLEEP}$ (P_6.3.54, transition from “high” to “low”) or $t_{SLEEP2IDLE}$ (P_6.3.53, transition from “low” to “high”).

Setting the IDLE pin to “low” has the following consequences:

- All registers in the SPI are reset to default values
- V_{DD} and V_S Undervoltage detection circuits are disabled to decrease current consumption (if both inputs are set to “low”)

Control Pins

- No SPI communication is allowed (SO pin remains in high impedance state also when CSN pin is set to “low”) if both input pins are set to “low”

Control Pins

5.3 Electrical Characteristics Control Pins

Table 5 Electrical Characteristics: Control Pins

$V_{DD} = 3\text{ V to }5.5\text{ V}$, $V_S = 7\text{ V to }18\text{ V}$, $T_J = -40\text{ °C to }+150\text{ °C}$ (unless otherwise specified)
 Typical values: $V_{DD} = 5\text{ V}$, $V_S = 13.5\text{ V}$, $T_J = 25\text{ °C}$

| Parameter | Symbol | Values | | | Unit | Note or Test Condition | Number |
|-------------------|---------------|--------|------|------|---------------|---------------------------|---------|
| | | Min. | Typ. | Max. | | | |
| IDLE pin | | | | | | | |
| L-input level | $V_{IDLE(L)}$ | 0 | | 0.8 | V | – | P_5.3.1 |
| H-input level | $V_{IDLE(H)}$ | 2.0 | | 5.5 | V | – | P_5.3.2 |
| L-input current | $I_{IDLE(L)}$ | 5 | 12 | 20 | μA | $V_{IDLE} = 0.8\text{ V}$ | P_5.3.3 |
| H-input current | $I_{IDLE(H)}$ | 14 | 28 | 45 | μA | $V_{IDLE} = 2.0\text{ V}$ | P_5.3.4 |
| Input Pins | | | | | | | |
| L-input level | $V_{IN(L)}$ | 0 | | 0.8 | V | – | P_5.3.5 |
| H-input level | $V_{IN(H)}$ | 2.0 | | 5.5 | V | – | P_5.3.6 |
| L-input current | $I_{IN(L)}$ | 5 | 12 | 20 | μA | $V_{IN} = 0.8\text{ V}$ | P_5.3.7 |
| H-input current | $I_{IN(H)}$ | 14 | 28 | 45 | μA | $V_{IN} = 2.0\text{ V}$ | P_5.3.8 |

Power Supply

6 Power Supply

The TLE75080-ESD is supplied by four supply voltages:

- V_S (analog supply voltage used also for the logic)
- V_{S1} (analog supply voltage used as drain for channels 0, 2, 4 and 6)
- V_{S2} (analog supply voltage used as drain for channels 1, 3, 5 and 7)
- V_{DD} (digital supply voltage)

The V_S supply line is connected to a battery feed and used, in combination with V_{DD} supply, for the driving circuitry of the power stages. In situations where V_S voltage drops below V_{DD} voltage (for instance during cranking events down to 3.0 V), an increased current consumption may be observed at VDD pin.

V_S and V_{DD} supply voltages have an undervoltage detection circuit, which prevents the activation of the associated function in case the measured voltage is below the undervoltage threshold. More in detail:

- An undervoltage on both V_S and V_{DD} supply voltages prevents the activation of the power stages and any SPI communication (the SPI registers are reset)
- An undervoltage on V_{DD} supply prevents any SPI communication. SPI read/write registers are reset to default values.
- An undervoltage on V_S supply forces the TLE75080-ESD to drain all needed current for the logic from V_{DD} supply. All channels are disabled, and are enabled again as soon as $V_S \geq V_{S(OP)}$.

Figure 11 shows a basic concept drawing of the interaction between supply pins VS and VDD, the output stage drivers and SO supply line.

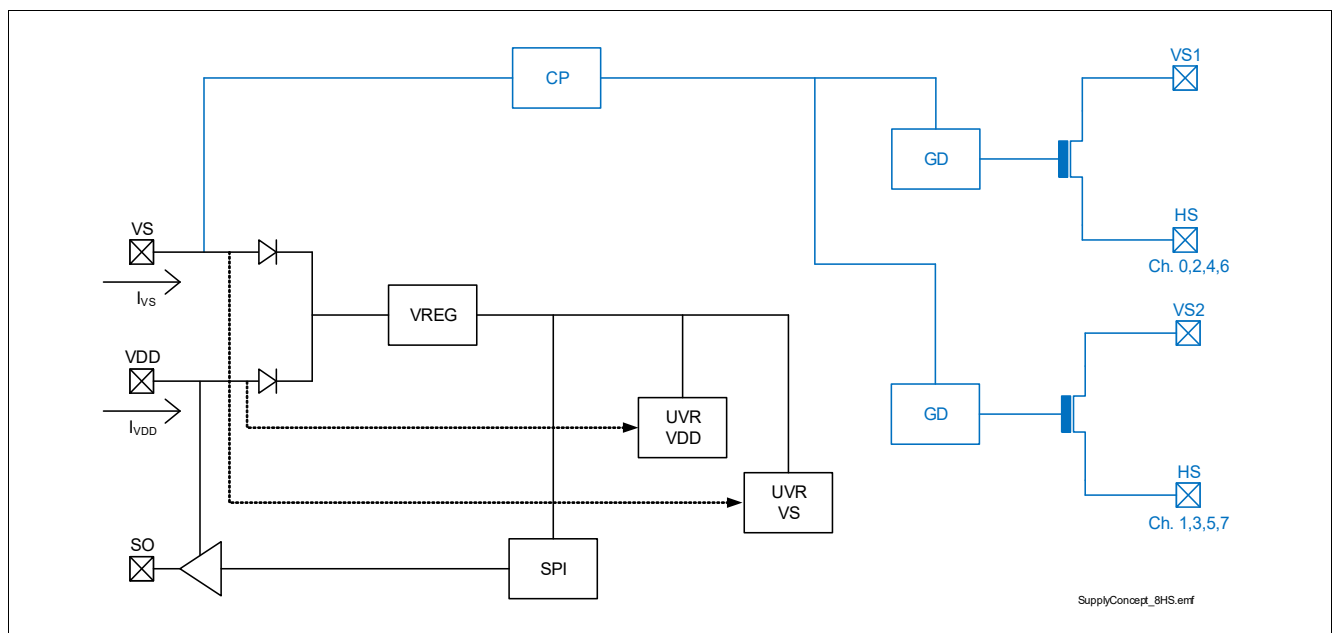


Figure 11 TLE75080-ESD Internal Power Supply concept

When $3.0\text{ V} \leq V_S \leq V_{DD} - V_{SDIFF}$ TLE75080-ESD operates in “Cranking Operative Range” (COR). In this condition the current consumption from VDD pin increases while it decreases from VS pin where the total current consumption remains within the specified limits. **Figure 12** shows the voltage levels at VS pin where the device goes in and out of COR. During the transition to and from COR operative region, I_{VS} and I_{VDD} change between values defined for normal operation and for COR operation. The sum of both current remains within limits specified in “Overall current consumption” section (see **Table 8**).

Power Supply

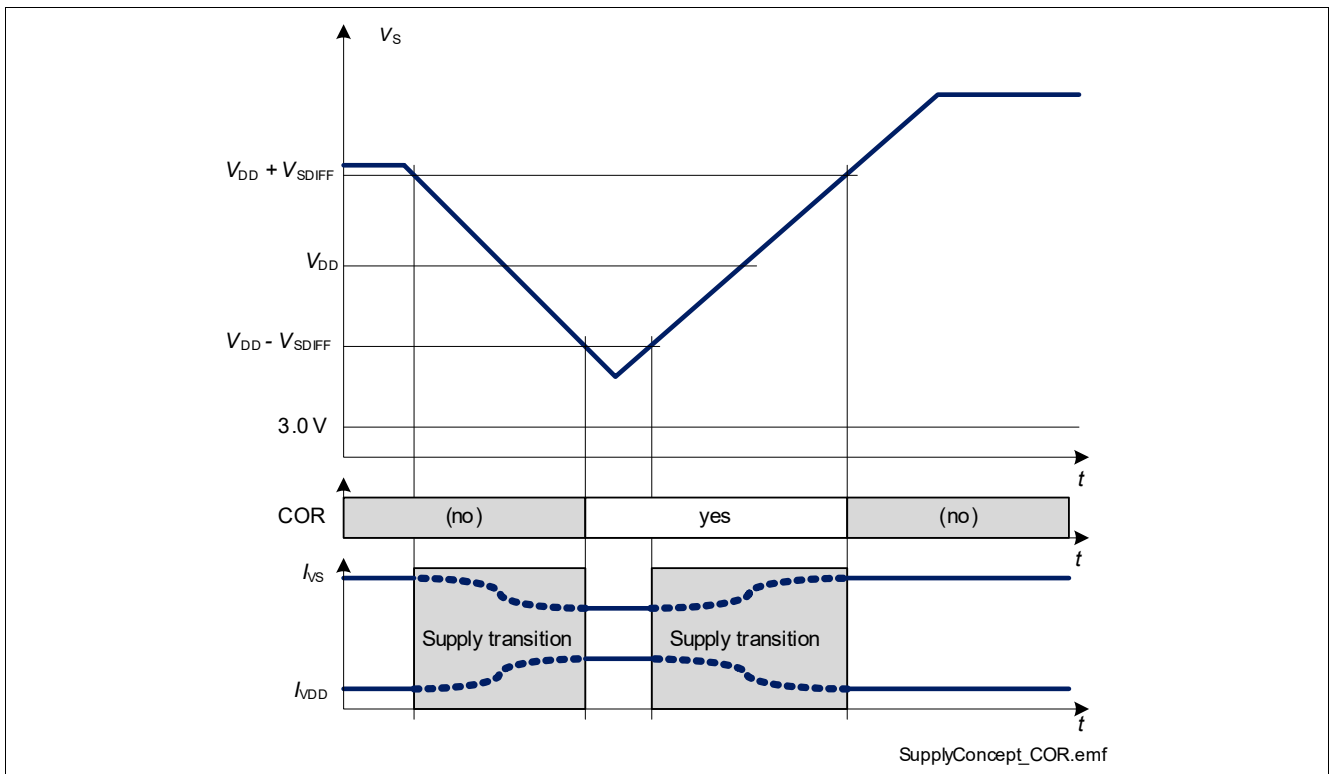


Figure 12 “Cranking Operative Range”

Furthermore, when $V_{S(UV)} \leq V_s \leq V_{S(OP)}$ it may be not possible to switch ON a channel that was previously OFF. All channels that are already ON keep their state unless they are switched OFF via SPI or via INn pins. An overview of channel behavior according to different V_s and V_{DD} supply voltages is shown in [Table 6](#) (the table is valid after a successful power-up, see [Chapter 6.1.1](#) for more details).

Power Supply

Table 6 Device capability as function of V_S and V_{DD}

| | $V_{DD} \leq V_{DD(UV)}$ ($V_{DD(UV)} = P_6.3.25$) | $V_{DD} = V_{DD(LOP)}$ ($V_{DD(LOP)} = P_6.3.24$) | $V_{DD} > V_{DD(LOP)}$ |
|---|--|--|--|
| $V_S \leq 3.0\text{ V}$ | channels cannot be controlled | channels cannot be controlled | channels cannot be controlled |
| $3.0\text{ V} = V_{S(UV),max}$ ($P_6.3.1$) | SPI registers reset | SPI registers available | SPI registers available |
| | SPI communication not available ($f_{SCLK} = 0\text{ MHz}$) | SPI communication possible ($f_{SCLK} = 1\text{ MHz}$) ($P_10.4.34$) | SPI communication possible ($f_{SCLK} = 5\text{ MHz}$) ($P_10.4.22$) |
| | Limp Home mode not available | Limp Home mode available (channels are OFF) | Limp Home mode available (channels are OFF) |
| $3.0\text{ V} < V_S \leq V_{S(OP)}$ ($V_{S(OP)} = P_6.3.2$) | channels cannot be controlled by SPI | channels can be switched ON and OFF (SPI control) ¹⁾ ($R_{DS(ON)}$ deviations possible) | channels can be switched ON and OFF (SPI control) ¹⁾ ($R_{DS(ON)}$ deviations possible) |
| | SPI registers reset | SPI registers available | SPI registers available |
| | SPI communication not available ($f_{SCLK} = 0\text{ MHz}$) | SPI communication possible ($f_{SCLK} = 1\text{ MHz}$) ($P_10.4.34$) | SPI communication possible ($f_{SCLK} = 5\text{ MHz}$) ($P_10.4.22$) |
| | Limp Home mode available ¹⁾ ($R_{DS(ON)}$ deviations possible) | Limp Home mode available ¹⁾ ($R_{DS(ON)}$ deviations possible) | Limp Home mode available ¹⁾ ($R_{DS(ON)}$ deviations possible) |
| $V_S \geq V_{S(OP)}$ | channels cannot be controlled by SPI | channels can be switched ON and OFF (small $R_{DS(ON)}$ dev. possible when $V_S = V_{S(EXT,LOW)}$) | channels can be switched ON and OFF (small $R_{DS(ON)}$ dev. possible when $V_S = V_{S(EXT,LOW)}$) |
| | SPI registers reset | SPI registers available | SPI registers available |
| | SPI communication not available ($f_{SCLK} = 0\text{ MHz}$) | SPI communication possible ($f_{SCLK} = 5\text{ MHz}$) ($P_10.4.22$) | SPI communication possible ($f_{SCLK} = 5\text{ MHz}$) ($P_10.4.22$) |
| | Limp Home mode available (small $R_{DS(ON)}$ dev. possible when $V_S = V_{S(EXT,LOW)}$) | Limp Home mode available (small $R_{DS(ON)}$ dev. possible when $V_S = V_{S(EXT,LOW)}$) | Limp Home mode available (small $R_{DS(ON)}$ dev. possible when $V_S = V_{S(EXT,LOW)}$) |

1) undervoltage condition on V_S must be considered - see [Chapter 6.2.1](#) for more details

Power Supply

6.1 Operation Modes

TLE75080-ESD has the following operation modes:

- Sleep mode
- Idle mode
- Active mode
- Limp Home mode

The transition between operation modes is determined according to following levels and states:

- logic level at IDLE pin
- logic level at INn pins
- **OUT.OUTn** bits state
- **HWCR.ACT** bit state

The state diagram including the possible transitions is shown in **Figure 13**. The behaviour of TLE75080-ESD as well as some parameters may change in dependence from the operation mode of the device. Furthermore, due to the undervoltage detection circuitry which monitors V_S and V_{DD} supply voltages, some changes within the same operation mode can be seen accordingly.

The operation mode of the TLE75080-ESD can be observed by:

- status of output channels
- status of SPI registers
- current consumption at VDD pin (I_{VDD})
- current consumption at VS pin (I_{VS})

The default operation mode to switch ON the loads is Active mode. If the device is not in Active mode and a request to switch ON one or more outputs comes (via SPI or via Input pins), it will switch into Active or Limp Home mode, according to IDLE pin status. Due to the time needed for such transitions, output turn-on time t_{ON} will be extended due to the mode transition latency.

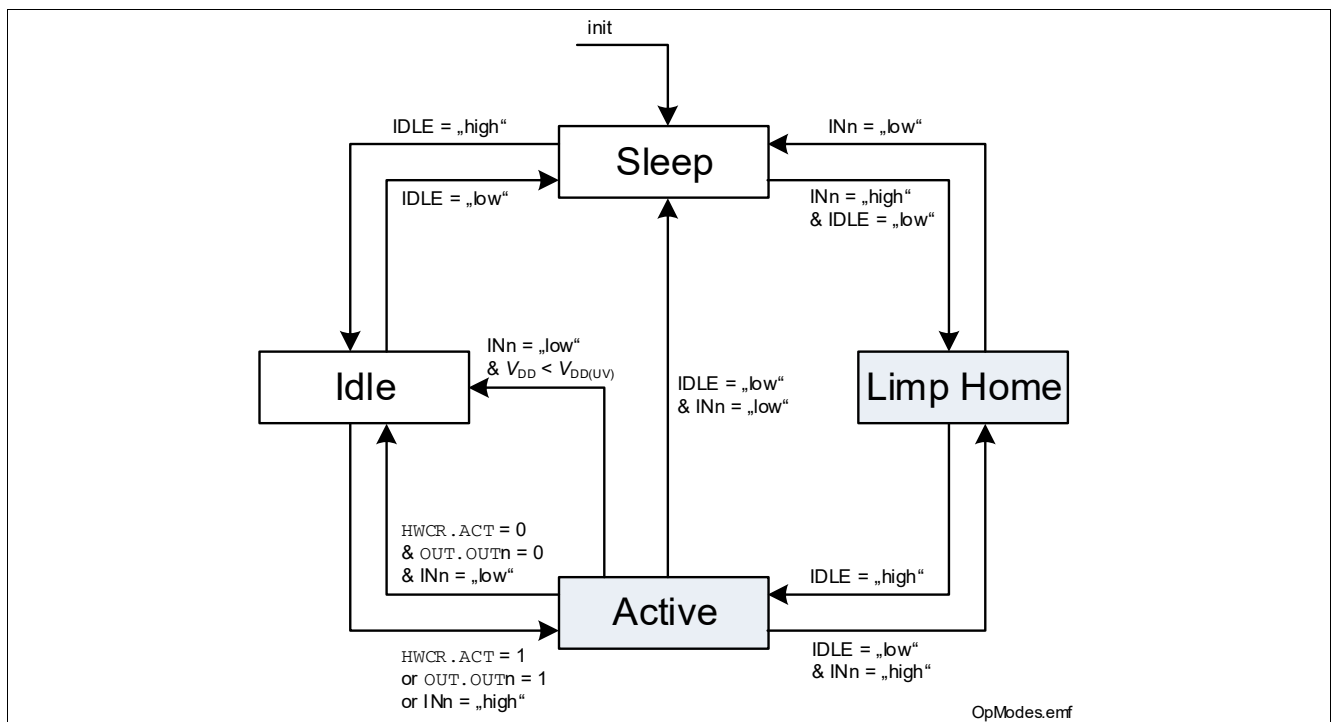


Figure 13 Operation Mode state diagram

Power Supply

Table 7 shows the correlation between device operation modes, V_S and V_{DD} supply voltages, and state of the most important functions (channels operativity, SPI communication and SPI registers).

Table 7 Device function in relation to operation modes, V_S and V_{DD} voltages

| Operation Mode | Function | Undervoltage condition on V_S ¹⁾ $V_{DD} \leq V_{DD(UV)}$ | Undervoltage condition on V_S $V_{DD} > V_{DD(UV)}$ | V_S not in undervoltage $V_{DD} \leq V_{DD(UV)}$ | V_S not in undervoltage $V_{DD} > V_{DD(UV)}$ |
|----------------|---------------|---|--|---|--|
| Sleep | Channels | not available | not available | not available | not available |
| | SPI comm. | not available | not available | not available | not available |
| | SPI registers | reset | reset | reset | reset |
| Idle | Channels | not available | not available | not available | not available |
| | SPI comm. | not available | ✓ | not available | ✓ |
| | SPI registers | reset | ✓ | reset | ✓ |
| Active | Channels | not available | not available | ✓ (IN pins only) | ✓ |
| | SPI comm. | not available | ✓ | not available | ✓ |
| | SPI registers | reset | ✓ | reset | ✓ |
| Limp Home | Channels | not available | not available | ✓ (IN pins only) | ✓ (IN pins only) |
| | SPI comm. | not available | ✓ (read-only) | not available | ✓ (read-only) |
| | SPI registers | reset | ✓ (read-only) ²⁾ | reset | ✓ (read-only) ²⁾ |

1) see [Chapter 6.2.1](#) for more details

2) see [Chapter 6.1.5](#) for a detailed overview

6.1.1 Power-up

The Power-up condition is satisfied when one of the supply voltages (V_S or V_{DD}) is applied to the device and the INn or IDLE pins are set to “high”. If V_S is above the threshold $V_{S(OP)}$ or if V_{DD} is above the threshold $V_{DD(LOP)}$ the internal power-on signal is set.

6.1.2 Sleep mode

When TLE75080-ESD is in Sleep mode, all outputs are OFF and the SPI registers are reset, independently from the supply voltages. The current consumption is minimum. See parameters $I_{VDD(SLEEP)}$ and $I_{VS(SLEEP)}$, or parameter I_{SLEEP} for the whole device.

6.1.3 Idle mode

In Idle mode, the current consumption of the device can reach the limits given by parameters $I_{VDD(IDLE)}$ and $I_{VS(IDLE)}$, or by parameter I_{IDLE} for the whole device. The internal voltage regulator is working. Diagnosis functions are not available. The output channels are switched OFF, independently from the supply voltages. When V_{DD} is available, the SPI registers are working and SPI communication is possible. In Idle mode the **ERRn** bits are not cleared for functional safety reasons.

Power Supply

6.1.4 Active mode

Active mode is the normal operation mode of TLE75080-ESD when no Limp Home condition is set and it is necessary to drive some or all loads. Voltage levels of V_{DD} and V_S influence the behavior as described at the beginning of [Chapter 6](#). Device current consumption is specified with $I_{VDD(ACTIVE)}$ and $I_{VS(ACTIVE)}$ (I_{ACTIVE} for the whole device). The device enters Active mode when IDLE pin is set to “high” and one of the input pins is set to “high” or one **OUT.OUTn** bit is set to “1”. If **HWCR.ACT** is set to “0”, the device returns to Idle mode as soon as all inputs pins are set to “low” and **OUT.OUTn** bits are set to “0”. If **HWCR.ACT** is set to “1”, the device remains in Active mode independently of the status of input pins and **OUT.OUTn** bits. An undervoltage condition on V_{DD} supply brings the device into Idle mode, if all input pins are set to “low”. Even if the registers **MAPINO** and **MAPIN1** are both set to “00_H” but one of the input pins INN is set to “high”, the device goes into Active mode.

6.1.5 Limp Home mode

TLE75080-ESD enters Limp Home mode when IDLE pin is “low” and one of the input pins is set to “high”, switching ON the channel connected to it. SPI communication is possible but only in read-only mode (SPI registers can be read but cannot be written). More in detail:

- **UVRVS** and **LOPVDD** are set to “1”
- **MODE** bits are set to “01_B” (Limp Home mode)
- **TER** bit is set to “1” on the first SPI command after entering Limp Home mode. Afterwards it works normally
- **OLOFF** bits is set to “0”
- **ERRn** bits work normally
- **DIAG_OSM.OUTn** bits can be read and work normally
- All other registers are set to their default value and cannot be programmed as long as the device is in Limp Home mode

See [Table 6](#) for a detailed overview of supply voltage conditions required to switch ON channels 2 and 3 during Limp Home. All other channels are OFF.

A transmission of SPI commands during transition from Active to Limp Home mode or Limp Home to Active mode may result in undefined SPI responses.

6.1.6 Definition of Power Supply modes transition times

The channel turn-ON time is as defined by parameter t_{ON} when TLE75080-ESD is in Active mode or in Limp Home mode. In all other cases, it is necessary to add the transition time required to reach one of the two aforementioned Power Supply modes (as shown in [Figure 14](#)).

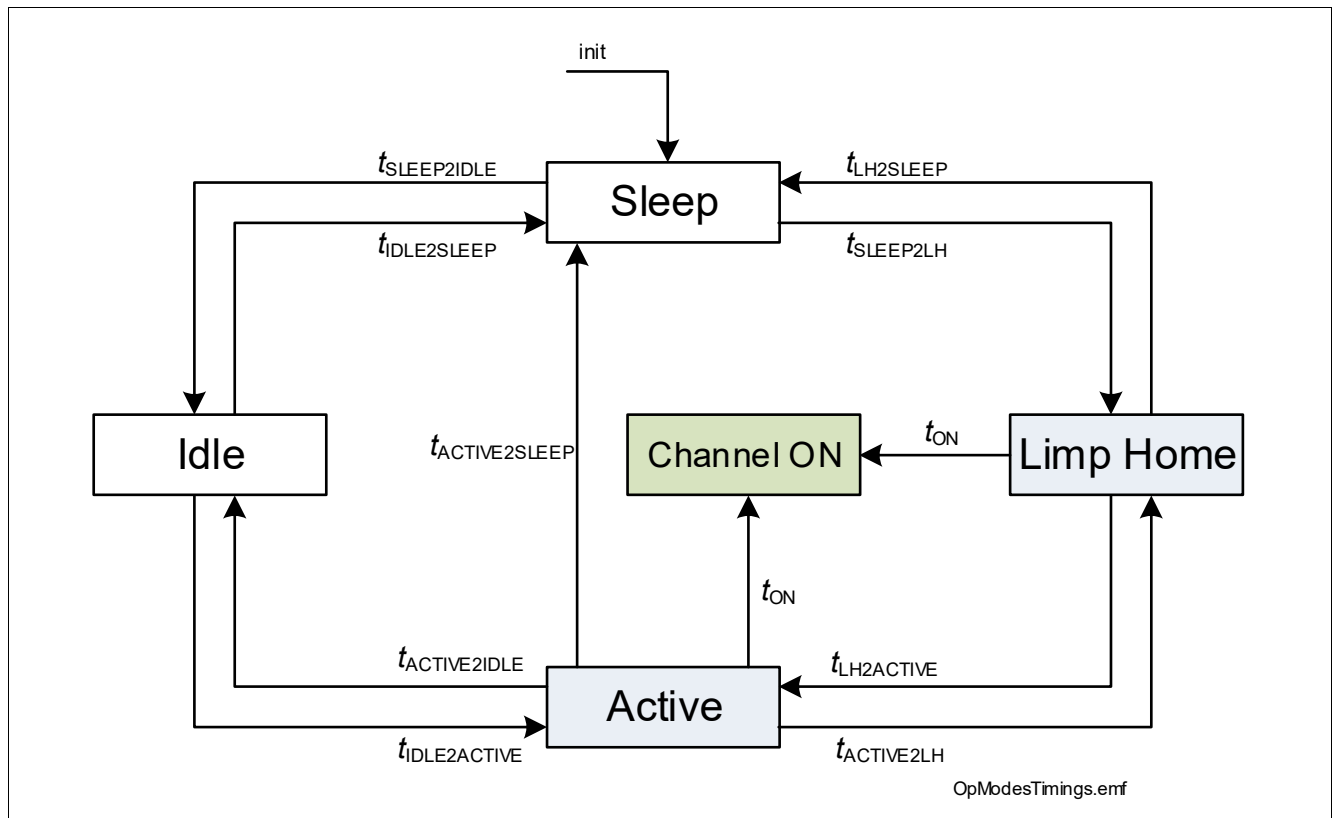


Figure 14 Transition Time diagram

6.2 Reset condition

One of the following 3 conditions resets the SPI registers to the default value:

- V_{DD} is not present or below the undervoltage threshold $V_{DD(UV)}$
- IDLE pin is set to “low”
- a reset command (**HWCR.RST** set to “1”) is executed
 - **ERRn** bits are not cleared by a reset command (for functional safety)
 - **UVRVS** and **LOPVDD** bits are cleared by a reset command

In particular, all channels are switched OFF (if there are no input pin set to “high”) and the Input Mapping configuration is reset.

6.2.1 Undervoltage on V_S

Between $V_{S(UV)}$ and $V_{S(OP)}$ the undervoltage mechanism is triggered. If the device is operative and the supply voltage drops below the undervoltage threshold $V_{S(UV)}$, the logic set the bit **UVRVS** to “1”. As soon as the supply voltage V_S is above the minimum voltage operative threshold $V_{S(OP)}$, the bit **UVRVS** is set to “0” after the first Standard Diagnosis readout. Undervoltage condition on V_S influences the status of the channels, as described in **Table 6**. **Figure 15** sketches the undervoltage behavior (the “ $V_S - V_{DS}$ ” line refers to a channel which is programmed to be ON).

Power Supply

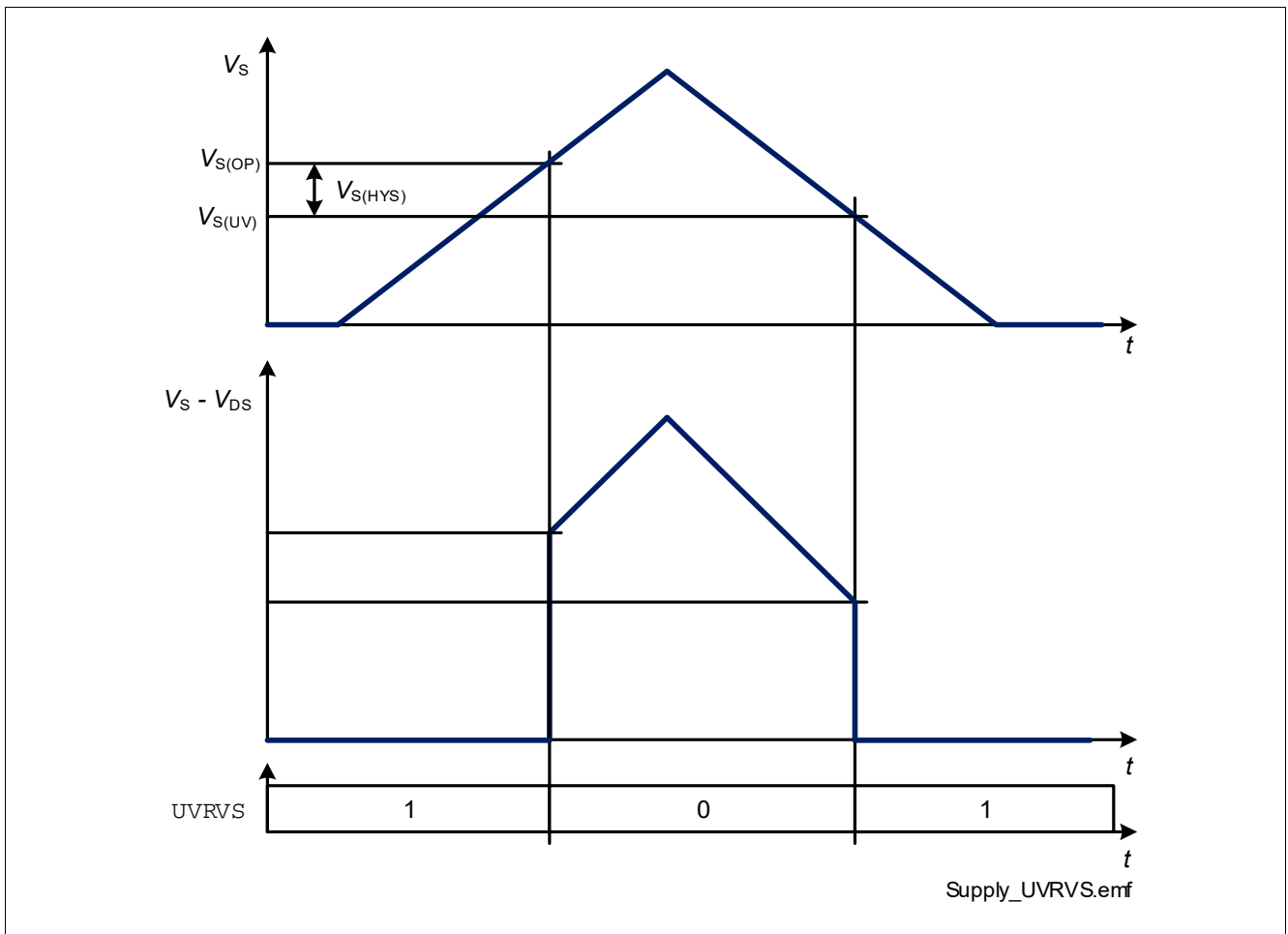


Figure 15 V_S Undervoltage Behavior

6.2.2 Low Operating Power on V_{DD}

When V_{DD} supply voltage is in the range indicated by $V_{DD(LOP)}$, the bit **LOPVDD** is set to “1”. As soon as $V_{DD} > V_{DD(LOP)}$ the bit **LOPVDD** is set to “0” after the first Standard Diagnosis readout.

If V_{DD} supply voltage is not present, a voltage applied to pins CSN or SO can supply the internal logic (not recommended in normal operation due to internal design limitations).

Power Supply

6.3 Electrical Characteristics Power Supply

Table 8 Electrical Characteristics Power Supply

$V_{DD} = 3\text{ V to }5.5\text{ V}$, $V_S = 7\text{ V to }18\text{ V}$, $T_J = -40\text{ °C to }+150\text{ °C}$, all voltages with respect to ground, positive currents flowing as described in **Figure 3** (unless otherwise specified)

Typical values: $V_{DD} = 5\text{ V}$, $V_S = 13.5\text{ V}$, $T_J = 25\text{ °C}$

| Parameter | Symbol | Values | | | Unit | Note or Test Condition | Number |
|--|-----------------|--------|------|------|---------------|---|----------|
| | | Min. | Typ. | Max. | | | |
| VS pin | | | | | | | |
| Analog supply undervoltage shutdown | $V_{S(UV)}$ | 1.5 | – | 3.0 | V | OUTn = ON from $V_{DS} \leq 1\text{ V}$ to UVRVS = 1 _B $R_L = 50\ \Omega$ | P_6.3.1 |
| Analog supply minimum operative voltage | $V_{S(OP)}$ | – | – | 4.0 | V | OUT.OUTn = 1 _B from UVRVS = 1 _B to $V_{DS} \leq 1\text{ V}$ $R_L = 50\ \Omega$ | P_6.3.2 |
| Undervoltage shutdown hysteresis | $V_{S(HYS)}$ | – | 1 | – | V | ¹⁾ | P_6.3.3 |
| Analog supply current consumption in Sleep mode with loads | $I_{VS(SLEEP)}$ | – | 0.1 | 3 | μA | ¹⁾ V_{IDLE} floating V_{INn} floating $V_{CSN} = V_{DD}$ $T_J \leq 85\text{ °C}$ | P_6.3.4 |
| Analog supply current consumption in Sleep mode with loads | $I_{VS(SLEEP)}$ | – | 0.1 | – | μA | ¹⁾ V_{IDLE} floating V_{INn} floating $V_{CSN} = V_{DD}$ $T_J \leq 85\text{ °C}$ $V_S = 13.5\text{ V}$ | P_6.3.63 |
| Analog supply current consumption in Sleep mode with loads | $I_{VS(SLEEP)}$ | – | 0.1 | 20 | μA | V_{IDLE} floating V_{INn} floating $V_{CSN} = V_{DD}$ $T_J = 150\text{ °C}$ | P_6.3.5 |
| Analog supply current consumption in Idle mode with loads | $I_{VS(IDLE)}$ | – | – | 2.2 | mA | IDLE = “high” V_{INn} floating $f_{SCLK} = 0\text{ MHz}$ HWCR.ACT = 0 _B OUT.OUTn = 0 _B DIAG_IOL.OUTn = 0 _B $V_{CSN} = V_{DD}$ | P_6.3.6 |

Power Supply

Table 8 Electrical Characteristics Power Supply (cont'd)

$V_{DD} = 3\text{ V to }5.5\text{ V}$, $V_S = 7\text{ V to }18\text{ V}$, $T_J = -40\text{ °C to }+150\text{ °C}$, all voltages with respect to ground, positive currents flowing as described in **Figure 3** (unless otherwise specified)

Typical values: $V_{DD} = 5\text{ V}$, $V_S = 13.5\text{ V}$, $T_J = 25\text{ °C}$

| Parameter | Symbol | Values | | | Unit | Note or Test Condition | Number |
|--|------------------|--------|------|------|------|---|----------|
| | | Min. | Typ. | Max. | | | |
| Analog supply current consumption in Idle mode with loads (COR) | $I_{VS(IDLE)}$ | – | – | 0.3 | mA | IDLE = “high” V_{INn} floating $f_{SCLK} = 0\text{ MHz}$ HWCR.ACT = 0 _B OUT.OUTn = 0 _B DIAG_IOL.OUTn = 0 _B $V_{CSN} = V_{DD}$ $V_S \leq V_{DD} - 1\text{ V}$ | P_6.3.7 |
| Analog supply current consumption in Active mode with loads - channels OFF | $I_{VS(ACTIVE)}$ | – | – | 7.7 | mA | IDLE = “high” V_{INn} floating $f_{SCLK} = 0\text{ MHz}$ HWCR.ACT = 1 _B OUT.OUTn = 0 _B DIAG_IOL.OUTn = 0 _B $V_{CSN} = V_{DD}$ | P_6.3.10 |
| Analog supply current consumption in Active mode with loads - channels OFF (COR) | $I_{VS(ACTIVE)}$ | – | – | 5.0 | mA | IDLE = “high” V_{INn} floating $f_{SCLK} = 0\text{ MHz}$ HWCR.ACT = 1 _B OUT.OUTn = 0 _B DIAG_IOL.OUTn = 0 _B $V_{CSN} = V_{DD}$ $V_S \leq V_{DD} - 1\text{ V}$ | P_6.3.14 |
| Analog supply current consumption in Active mode with loads - channels ON | $I_{VS(ACTIVE)}$ | – | – | 7.7 | mA | IDLE = “high” V_{INn} floating $f_{SCLK} = 0\text{ MHz}$ HWCR.ACT = 1 _B OUT.OUTn = 1 _B DIAG_IOL.OUTn = 0 _B $V_{CSN} = V_{DD}$ | P_6.3.16 |

Power Supply

Table 8 Electrical Characteristics Power Supply (cont'd)

$V_{DD} = 3\text{ V to }5.5\text{ V}$, $V_S = 7\text{ V to }18\text{ V}$, $T_J = -40\text{ °C to }+150\text{ °C}$, all voltages with respect to ground, positive currents flowing as described in **Figure 3** (unless otherwise specified)

Typical values: $V_{DD} = 5\text{ V}$, $V_S = 13.5\text{ V}$, $T_J = 25\text{ °C}$

| Parameter | Symbol | Values | | | Unit | Note or Test Condition | Number |
|---|------------------|--------|------|------|------|---|----------|
| | | Min. | Typ. | Max. | | | |
| Analog supply current consumption in Active mode with loads - channels ON (COR) | $I_{VS(ACTIVE)}$ | – | 2.3 | 5.0 | mA | IDLE = “high” V_{INn} floating $f_{SCLK} = 0\text{ MHz}$ HWCR.ACT = 1 _B OUT.OUTn = 1 _B DIAG_IOL.OUTn = 0 _B $V_{CSN} = V_{DD}$ $V_S \leq V_{DD} - 1\text{ V}$ | P_6.3.22 |

VDD pin

| | | | | | | | |
|---|------------------|-----|-----|-----|----|--|----------|
| Logic Supply Operating voltage | $V_{DD(OP)}$ | 3.0 | – | 5.5 | V | $f_{SCLK} = 5\text{ MHz}$ | P_6.3.23 |
| Logic Supply Lower Operating Voltage | $V_{DD(LOP)}$ | 3.0 | – | 4.5 | V | – | P_6.3.24 |
| Undervoltage shutdown | $V_{DD(UV)}$ | 1 | – | 3.0 | V | $V_{SI} = 0\text{ V}$ $V_{SCLK} = 0\text{ V}$ $V_{CSN} = 0\text{ V}$ SO from “low” to high impedance | P_6.3.25 |
| Logic supply current in Sleep mode | $I_{VDD(SLEEP)}$ | – | 0.1 | 2.5 | μA | ¹⁾ V_{IDLE} floating V_{INn} floating $V_{CSN} = V_{DD}$ $T_J \leq 85\text{ °C}$ | P_6.3.26 |
| Logic supply current in Sleep mode | $I_{VDD(SLEEP)}$ | – | – | 10 | μA | V_{IDLE} floating V_{INn} floating $V_{CSN} = V_{DD}$ $T_J = 150\text{ °C}$ | P_6.3.27 |
| Logic supply current in Idle mode | $I_{VDD(IDLE)}$ | – | – | 0.3 | mA | IDLE = “high” V_{INn} floating $f_{SCLK} = 0\text{ MHz}$ HWCR.ACT = 0 _B OUT.OUTn = 0 _B $V_{CSN} = V_{DD}$ | P_6.3.28 |
| Logic supply current in Idle mode (COR) | $I_{VDD(IDLE)}$ | – | – | 2.2 | mA | IDLE = “high” V_{INn} floating $f_{SCLK} = 0\text{ MHz}$ HWCR.ACT = 0 _B OUT.OUTn = 0 _B $V_{CSN} = V_{DD}$ $V_S \leq V_{DD} - 1\text{ V}$ | P_6.3.29 |

Power Supply

Table 8 Electrical Characteristics Power Supply (cont'd)

$V_{DD} = 3\text{ V to }5.5\text{ V}$, $V_S = 7\text{ V to }18\text{ V}$, $T_J = -40\text{ °C to }+150\text{ °C}$, all voltages with respect to ground, positive currents flowing as described in **Figure 3** (unless otherwise specified)

Typical values: $V_{DD} = 5\text{ V}$, $V_S = 13.5\text{ V}$, $T_J = 25\text{ °C}$

| Parameter | Symbol | Values | | | Unit | Note or Test Condition | Number |
|--|-------------------|--------|------|------|------|---|----------|
| | | Min. | Typ. | Max. | | | |
| Logic supply current in Active mode - channels OFF | $I_{VDD(ACTIVE)}$ | – | – | 0.3 | mA | IDLE = “high” V_{INn} floating $f_{SCLK} = 0\text{ MHz}$ HWCR.ACT = 1 _B OUT.OUTn = 0 _B $V_{CSN} = V_{DD}$ | P_6.3.30 |
| Logic supply current in Active mode - channels OFF (COR) | $I_{VDD(ACTIVE)}$ | – | – | 2.7 | mA | IDLE = “high” V_{INn} floating $f_{SCLK} = 0\text{ MHz}$ HWCR.ACT = 1 _B OUT.OUTn = 0 _B $V_{CSN} = V_{DD}$ $V_S \leq V_{DD} - 1\text{ V}$ | P_6.3.33 |
| Logic supply current in Active mode - channels ON | $I_{VDD(ACTIVE)}$ | – | – | 0.3 | mA | IDLE = “high” V_{INn} floating $f_{SCLK} = 0\text{ MHz}$ HWCR.ACT = 1 _B OUT.OUTn = 1 $V_{CSN} = V_{DD}$ | P_6.3.35 |
| Logic supply current in Active mode - channels ON (COR) | $I_{VDD(ACTIVE)}$ | – | – | 3.5 | mA | IDLE = “high” V_{INn} floating $f_{SCLK} = 0\text{ MHz}$ HWCR.ACT = 1 _B OUT.OUTn = 1 _B DIAG_IOL.OUTn = 0 _B $V_{CSN} = V_{DD}$ $V_S \leq V_{DD} - 1\text{ V}$ | P_6.3.66 |

Overall current consumption

| | | | | | | | |
|---|-------------|---|---|---|----|--|----------|
| Overall current consumption in Sleep mode $I_{VS(SLEEP)} + I_{VDD(SLEEP)}$ | I_{SLEEP} | – | – | 5 | μA | ¹⁾ V_{IDLE} floating V_{INn} floating $V_{CSN} = V_{DD}$ $T_J \leq 85\text{ °C}$ | P_6.3.40 |
| Overall current consumption in Sleep mode $I_{VS(SLEEP)} + I_{VDD(SLEEP)}$ | I_{SLEEP} | – | – | 5 | μA | ¹⁾ V_{IDLE} floating V_{INn} floating $V_{CSN} = V_{DD}$ $T_J \leq 85\text{ °C}$ $V_S = 13.5\text{ V}$ | P_6.3.64 |

Power Supply

Table 8 Electrical Characteristics Power Supply (cont'd)

$V_{DD} = 3\text{ V to }5.5\text{ V}$, $V_S = 7\text{ V to }18\text{ V}$, $T_J = -40\text{ °C to }+150\text{ °C}$, all voltages with respect to ground, positive currents flowing as described in **Figure 3** (unless otherwise specified)

Typical values: $V_{DD} = 5\text{ V}$, $V_S = 13.5\text{ V}$, $T_J = 25\text{ °C}$

| Parameter | Symbol | Values | | | Unit | Note or Test Condition | Number |
|---|--------------|--------|------|------|------|---|----------|
| | | Min. | Typ. | Max. | | | |
| Overall current consumption in Sleep mode $I_{VS(SLEEP)} + I_{VDD(SLEEP)}$ | I_{SLEEP} | – | – | 30 | μA | V_{IDLE} floating V_{INN} floating $V_{CSN} = V_{DD}$ $T_J = 150\text{ °C}$ | P_6.3.41 |
| Overall current consumption in Idle mode $I_{VS(IDLE)} + I_{VDD(IDLE)}$ | I_{IDLE} | – | – | 2.5 | mA | IDLE = “high” V_{INN} floating $f_{SCLK} = 0\text{ MHz}$ HWCR.ACT = 0 _B OUT.OUTn = 0 _B DIAG_IOL.OUTn = 0 _B $V_{CSN} = V_{DD}$ | P_6.3.42 |
| Overall current consumption in Active mode - channels OFF $I_{VS(ACTIVE)} + I_{VDD(ACTIVE)}$ | I_{ACTIVE} | – | – | 8 | mA | IDLE = “high” V_{INN} floating $f_{SCLK} = 0\text{ MHz}$ HWCR.ACT = 1 _B OUT.OUTn = 0 _B DIAG_IOL.OUTn = 0 _B $V_{CSN} = V_{DD}$ | P_6.3.45 |
| Overall current consumption in Active mode - channels ON $I_{VS(ACTIVE)} + I_{VDD(ACTIVE)}$ | I_{ACTIVE} | – | – | 8 | mA | IDLE = “high” V_{INN} floating $f_{SCLK} = 0\text{ MHz}$ HWCR.ACT = 1 _B OUT.OUTn = 1 _B DIAG_IOL.OUTn = 0 _B $V_{CSN} = V_{DD}$ | P_6.3.50 |
| Voltage difference between V_S and V_{DD} supply lines | V_{SDIFF} | – | 200 | – | mV | ¹⁾ | P_6.3.52 |

Timings

| | | | | | | | |
|---------------------|------------------|---|-----|-----|----|--|----------|
| Sleep to Idle delay | $t_{SLEEP2IDLE}$ | – | 200 | 400 | μs | ¹⁾ from IDLE pin to TER + INST register = 8680 _H (see Chapter 10.6.1 for details) | P_6.3.53 |
|---------------------|------------------|---|-----|-----|----|--|----------|

Power Supply

Table 8 Electrical Characteristics Power Supply (cont'd)

$V_{DD} = 3\text{ V to }5.5\text{ V}$, $V_S = 7\text{ V to }18\text{ V}$, $T_J = -40\text{ °C to }+150\text{ °C}$, all voltages with respect to ground, positive currents flowing as described in **Figure 3** (unless otherwise specified)

Typical values: $V_{DD} = 5\text{ V}$, $V_S = 13.5\text{ V}$, $T_J = 25\text{ °C}$

| Parameter | Symbol | Values | | | Unit | Note or Test Condition | Number |
|---------------------------|-------------------|--------|--------------------|--------------------|---------------|---|----------|
| | | Min. | Typ. | Max. | | | |
| Idle to Sleep delay | $t_{IDLE2SLEEP}$ | – | 100 | 200 | μs | ¹⁾ from IDLE pin to Standard Diagnosis = 0000 _H (see Chapter 10.5 for details) external pull-down SO to GND required | P_6.3.54 |
| Idle to Active delay | $t_{IDLE2ACTIVE}$ | – | 100 | 200 | μs | ¹⁾ from INn or CSN pins to MODE = 10 _B | P_6.3.55 |
| Active to Idle delay | $t_{ACTIVE2IDLE}$ | – | 100 | 200 | μs | ¹⁾ from INn or CSN pins to MODE = 11 _B | P_6.3.56 |
| Sleep to Limp Home delay | $t_{SLEEP2LH}$ | – | 300 + t_{ON} | 600 + t_{ON} | μs | ¹⁾ from INn pins to $V_{DS} = 10\% V_S$ | P_6.3.57 |
| Limp Home to Sleep delay | $t_{LH2SLEEP}$ | – | 200 + t_{OFF} | 400 + t_{OFF} | μs | ¹⁾ from INn pins to Standard Diagnosis = 0000 _H (see Chapter 10.6.1 for details). External pull-down SO to GND required | P_6.3.58 |
| Limp Home to Active delay | $t_{LH2ACTIVE}$ | – | 50 | 100 | μs | ¹⁾ from IDLE pin to MODE = 10 _B | P_6.3.59 |

Power Supply

Table 8 Electrical Characteristics Power Supply (cont'd)

$V_{DD} = 3\text{ V to }5.5\text{ V}$, $V_S = 7\text{ V to }18\text{ V}$, $T_J = -40\text{ °C to }+150\text{ °C}$, all voltages with respect to ground, positive currents flowing as described in **Figure 3** (unless otherwise specified)

Typical values: $V_{DD} = 5\text{ V}$, $V_S = 13.5\text{ V}$, $T_J = 25\text{ °C}$

| Parameter | Symbol | Values | | | Unit | Note or Test Condition | Number |
|---------------------------|--------------------|--------|------|------|---------------|---|----------|
| | | Min. | Typ. | Max. | | | |
| Active to Limp Home delay | $t_{ACTIVE2LH}$ | – | 50 | 100 | μs | ¹⁾ from IDLE pin to TER + INST register = 8683 _H (IN0 = IN1 = “high”) or 8682 _H (IN1 = “high”, IN0 = “low”) or 8681 _H (IN1 = “low”, IN0 = “high”) (see Chapter 10.5 for details) | P_6.3.60 |
| Active to Sleep delay | $t_{ACTIVE2SLEEP}$ | – | 50 | 100 | μs | ¹⁾ from IDLE pin to Standard Diagnosis = 0000 _H (see Chapter 10.6.1 for details). External pull-down SO to GND required. | P_6.3.61 |

1) Not subject to production test - specified by design

Power Stages

7 Power Stages

The TLE75080-ESD is an eight channels high-side relay switch. The power stages are built by N-channel lateral power MOSFET transistors.

The supply voltages V_{S1} and V_{S2} can be connected to any potential between ground and V_S . A charge pump is connected to the output MOSFET gate.

7.1 Output ON-state resistance

The ON-state resistance $R_{DS(ON)}$ depends on the supply voltage as well as the junction temperature T_J .

7.1.1 Switching Resistive Loads

When switching resistive loads the following switching times and slew rates can be considered.

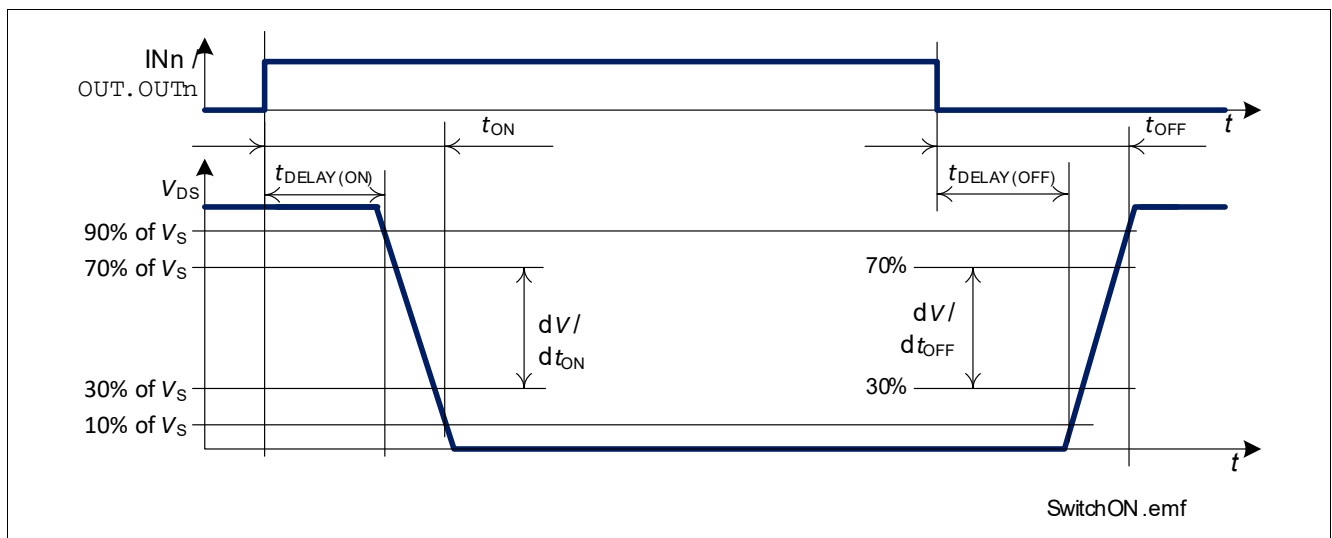


Figure 16 Switching a Resistive Load

7.1.2 Inductive Output Clamp

When switching off inductive loads, the voltage across the power switch rises to $V_{DS(CL)}$ potential, because the inductance intends to continue driving the current. The potential at Output pin is not allowed to go below $V_{OUT(CL)}$. The voltage clamping is necessary to prevent device destruction.

Figure 17 shows a concept drawing of the implementation. Nevertheless, the maximum allowed load inductance is limited. The clamping structure protects the device in all operative modes (Sleep, Idle, Active, Limp Home).

Power Stages

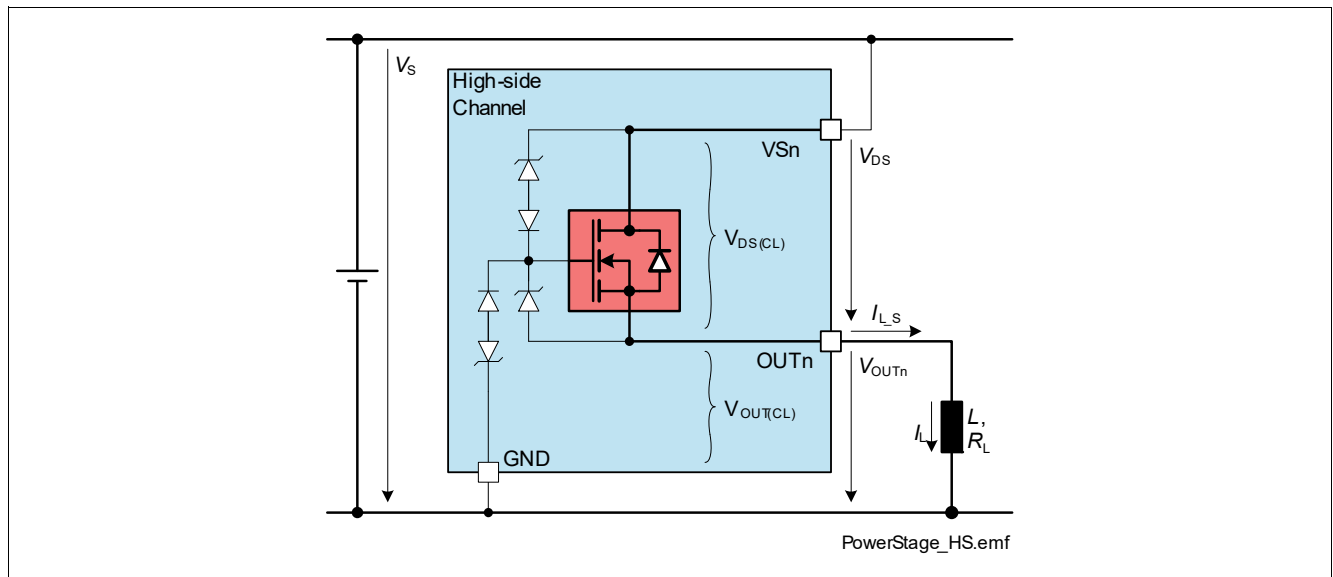


Figure 17 Output Clamp concept

7.1.3 Maximum Load Inductance

During demagnetization of inductive loads, energy has to be dissipated in the TLE75080-ESD. Equation (7.1) and Equation (7.2) can be used for high-side switches :

$$E = (V_S - V_{OUTS(CL)}) \cdot \left[\frac{V_{OUTS(CL)}}{R_L} \cdot \ln\left(1 - \frac{R_L \cdot I_L}{V_{OUTS(CL)}}\right) + I_L \right] \cdot \frac{L}{R_L} \quad (7.1)$$

$$E = (V_S - V_{OUT(CL)}) \cdot \left[\frac{V_{OUT(CL)}}{R_L} \cdot \ln\left(1 - \frac{R_L \cdot I_L}{V_{OUT(CL)}}\right) + I_L \right] \cdot \frac{L}{R_L} \quad (7.2)$$

The maximum energy, which is converted into heat, is limited by the thermal design of the component. The E_{AR} value provided in Table 2 assumes that all channels can dissipate the same energy when the inductances connected to the outputs are demagnetized at the same time.

7.2 Inverse Current Behavior

During inverse current ($V_{OUTn} > V_{Sn}$) the affected channels stays in ON- or in OFF- state. Furthermore, during applied inverse currents the ERRn bit can be set if the channel is in ON-state and the over temperature threshold is reached.

The general functionality (switch ON and OFF, protection, diagnostic) of unaffected channels is not influenced by inverse currents applied to other channels. Parameter deviations are possible especially for the following ones (Over Temperature protection is not influenced):

- Switching capability: t_{ON} , t_{OFF} , dV/dt_{ON} , $-dV/dt_{OFF}$
- Protection: $I_{L(OVLO)}$, $I_{L(OVL1)}$
- Diagnostic: $V_{OUT(OL)}$

Reliability in Limp Home condition for the unaffected channels is unchanged.

Note: No protection mechanism like temperature protection or over load protection is active during applied inverse currents. Inverse currents cause power losses inside the DMOS, which increase the

Power Stages

overall device temperature. This could lead to a switch OFF of unaffected channels due to Over Temperature

7.3 Switching Channels in parallel

In case of appearance of a short circuit with channels in parallel, it may happen that the two channels switch OFF asynchronously, therefore bringing an additional thermal stress to the channel that switches OFF last. In order to avoid this condition, it is possible to parametrize in the SPI registers the parallel operation of two neighbour channels (bits **HWCR.PAR**). When operating in this mode, the fastest channel to react to an Over Load or Over Temperature condition will deactivate also the other. The inductive energy that two channels can handle once set in parallel is lower than twice the single channel energy (see P_7.6.11). It is possible to synchronize the following couples of channels:

- channel 0 and channel 2 → **HWCR.PAR** (0) set to “1”
- channel 1 and channel 3 → **HWCR.PAR** (1) set to “1”
- channel 4 and channel 6 → **HWCR.PAR** (2) set to “1”
- channel 5 and channel 7 → **HWCR.PAR** (3) set to “1”

The synchronization bits influence only how the channels react to Over Load or Over Temperature conditions. Synchronized channels have to be switched ON and OFF individually by the micro-controller.

Power Stages

7.4 Electrical Characteristics Power Stages

Table 9 Electrical Characteristics: Power Stage

$V_{DD} = 3\text{ V to }5.5\text{ V}$, $V_S = 7\text{ V to }18\text{ V}$, $T_J = -40\text{ °C to }+150\text{ °C}$ (unless otherwise specified)
Typical values: $V_{DD} = 5\text{ V}$, $V_S = 13.5\text{ V}$, $T_J = 25\text{ °C}$

| Parameter | Symbol | Values | | | Unit | Note or Test Condition | Number |
|---|--------------|--------|------|---------------------|----------|---|----------|
| | | Min. | Typ. | Max. | | | |
| Output Characteristics | | | | | | | |
| On-State Resistance | $R_{DS(ON)}$ | – | 1.0 | – | Ω | ¹⁾ $T_J = 25\text{ °C}$ | P_7.6.1 |
| On-State Resistance | $R_{DS(ON)}$ | – | 1.8 | 2.2 | Ω | $T_J = 150\text{ °C}$ $I_L = I_{L(EAR)} = 220\text{ mA}$ | P_7.6.2 |
| Nominal load current (all channels active) | $I_{L(NOM)}$ | – | 330 | 500 ²⁾³⁾ | mA | ¹⁾ $T_A = 85\text{ °C}$ $T_J \leq 150\text{ °C}$ | P_7.6.3 |
| Nominal load current (all channels active) | $I_{L(NOM)}$ | – | 260 | 500 ²⁾³⁾ | mA | ¹⁾ $T_A = 105\text{ °C}$ $T_J \leq 150\text{ °C}$ | P_7.6.4 |
| Nominal load current (half of channels active) | $I_{L(NOM)}$ | – | 470 | 500 ²⁾³⁾ | mA | ¹⁾ $T_A = 85\text{ °C}$ $T_J \leq 150\text{ °C}$ | P_7.6.5 |
| Load current for maximum energy dissipation - repetitive (all channels active) | $I_{L(EAR)}$ | – | 220 | – | mA | ¹⁾ $T_A = 85\text{ °C}$ $T_J \leq 150\text{ °C}$ | P_7.6.8 |
| Inverse current capability per channel | $-I_{L(IC)}$ | – | – | $I_{L(EAR)}$ | mA | ¹⁾ No influences on switching functionality of unaffected channels - parameter deviations possible | P_7.6.9 |
| Maximum energy dissipation repetitive pulses - $2 \cdot I_{L(EAR)}$ (two channels in parallel) | E_{AR} | – | – | 15 | mJ | ¹⁾ $T_{J(0)} = 85\text{ °C}$ $I_{L(0)} = 2 \cdot I_{L(EAR)}$ $2 \cdot 10^6$ cycles HWCR.PAR = “1” for affected channels | P_7.6.11 |

Power Stages

Table 9 Electrical Characteristics: Power Stage (cont'd)

$V_{DD} = 3\text{ V to }5.5\text{ V}$, $V_S = 7\text{ V to }18\text{ V}$, $T_J = -40\text{ °C to }+150\text{ °C}$ (unless otherwise specified)

Typical values: $V_{DD} = 5\text{ V}$, $V_S = 13.5\text{ V}$, $T_J = 25\text{ °C}$

| Parameter | Symbol | Values | | | Unit | Note or Test Condition | Number |
|--|---------------|--------|------|------|---------------|--|----------|
| | | Min. | Typ. | Max. | | | |
| Power stage voltage drop at low battery | $V_{DS(OP)}$ | – | – | 1 | V | $R_L = 50\ \Omega$ $V_S = V_{S(OP),max}$ $V_{S1} = V_{S(OP),max}$ $V_{S2} = V_{S(OP),max}$ refer to Figure 17 | P_7.6.15 |
| Drain to Source Output clamping voltage | $V_{DS(CL)}$ | 42 | 46 | 55 | V | $I_L = 20\text{ mA}$ $V_S = V_{Sn} = 36\text{ V}$ | P_7.6.16 |
| Source to Ground Output clamping voltage | $V_{OUT(CL)}$ | -25 | – | -16 | V | $I_L = 20\text{ mA}$ $V_S = V_{Sn} = 7\text{ V}$ | P_7.6.18 |
| Output leakage current (each channel) $T_J \leq 85\text{ °C}$ | $I_{L(OFF)}$ | – | 0.01 | 0.5 | μA | ¹⁾ $V_{IN} = 0\text{ V}$ or floating $V_{DS} = 28\text{ V}$ $V_{OUT,S} = 1.5\text{ V}$ OUT.OUTn = 0 $T_J \leq 85\text{ °C}$ | P_7.6.47 |
| Output leakage current (each channel) $T_J = 150\text{ °C}$ | $I_{L(OFF)}$ | – | 0.1 | 5 | μA | ¹⁾ $V_{IN} = 0\text{ V}$ or floating $V_{DS} = 28\text{ V}$ $V_{OUT,S} = 1.5\text{ V}$ OUT.OUTn = 0 $T_J = 150\text{ °C}$ | P_7.6.49 |

Timings

| | | | | | | | |
|---|------------------|---|----|----|---------------|--|----------|
| Turn-ON delay (from INn pin or bit to $V_{OUT} = 10\% V_S$) | $t_{DELAY(ON)}$ | 1 | 4 | 8 | μs | $R_L = 50\ \Omega$ $V_S = 13.5\text{ V}$ Active mode or Limp Home mode | P_7.6.35 |
| Turn-OFF delay (from INn pin or bit to $V_{OUT} = 90\% V_S$) | $t_{DELAY(OFF)}$ | 1 | 6 | 12 | μs | $R_L = 50\ \Omega$ $V_S = 13.5\text{ V}$ Active mode or Limp Home mode | P_7.6.36 |
| Turn-ON time (from INn pin or bit to $V_{OUT} = 90\% V_S$) | t_{ON} | 6 | 15 | 35 | μs | $R_L = 50\ \Omega$ $V_S = 13.5\text{ V}$ Active mode or Limp Home mode | P_7.6.37 |
| Turn-OFF time (from INn pin or bit to $V_{OUT} = 10\% V_S$) | t_{OFF} | 6 | 15 | 35 | μs | $R_L = 50\ \Omega$ $V_S = 13.5\text{ V}$ Active mode or Limp Home mode | P_7.6.38 |

Power Stages

Table 9 Electrical Characteristics: Power Stage (cont'd)

$V_{DD} = 3\text{ V to }5.5\text{ V}$, $V_S = 7\text{ V to }18\text{ V}$, $T_J = -40\text{ °C to }+150\text{ °C}$ (unless otherwise specified)

Typical values: $V_{DD} = 5\text{ V}$, $V_S = 13.5\text{ V}$, $T_J = 25\text{ °C}$

| Parameter | Symbol | Values | | | Unit | Note or Test Condition | Number |
|--|--------------------|--------|------|------|------------------------|---|----------|
| | | Min. | Typ. | Max. | | | |
| Turn-ON/OFF matching | $t_{ON} - t_{OFF}$ | -10 | 0 | 10 | μs | $R_L = 50\ \Omega$ $V_S = 13.5\text{ V}$ Active mode or Limp Home mode | P_7.6.39 |
| Turn-ON slew rate $V_{DS} = 30\% \text{ to } 70\% V_S$ | dV/dt_{ON} | 0.7 | 1.3 | 1.9 | $\text{V}/\mu\text{s}$ | $R_L = 50\ \Omega$ $V_S = 13.5\text{ V}$ Active mode or Limp Home mode | P_7.6.40 |
| Turn-OFF slew rate $V_{DS} = 70\% \text{ to } 30\% V_S$ | $-dV/dt_{OFF}$ | 0.7 | 1.3 | 1.9 | $\text{V}/\mu\text{s}$ | $R_L = 50\ \Omega$ $V_S = 13.5\text{ V}$ Active mode or Limp Home mode | P_7.6.41 |
| Internal reference frequency synchronization time | t_{SYNC} | – | 5 | 10 | μs | ¹⁾ | P_7.6.45 |

1) Not subject to production test - specified by design

2) If one channel has $I_{L(NOM),max}$ applied, the remaining channels must be underloaded accordingly so that $T_J < 150\text{ °C}$

3) $I_{L(NOM),max}$ can reach $I_{L(OVL1),min}$

8 Protection Functions

8.1 Over Load Protection

The TLE75080-ESD is protected in case of over load or short circuit of the load. There are two over load current thresholds (see **Figure 18**):

- $I_{L(OVL0)}$ between channel switch ON and t_{OVLIN}
- $I_{L(OVL1)}$ after t_{OVLIN}

Every time the channel is switched OFF for a time longer than $2 * t_{SYNC}$ the over load current threshold is set back to $I_{L(OVL0)}$.

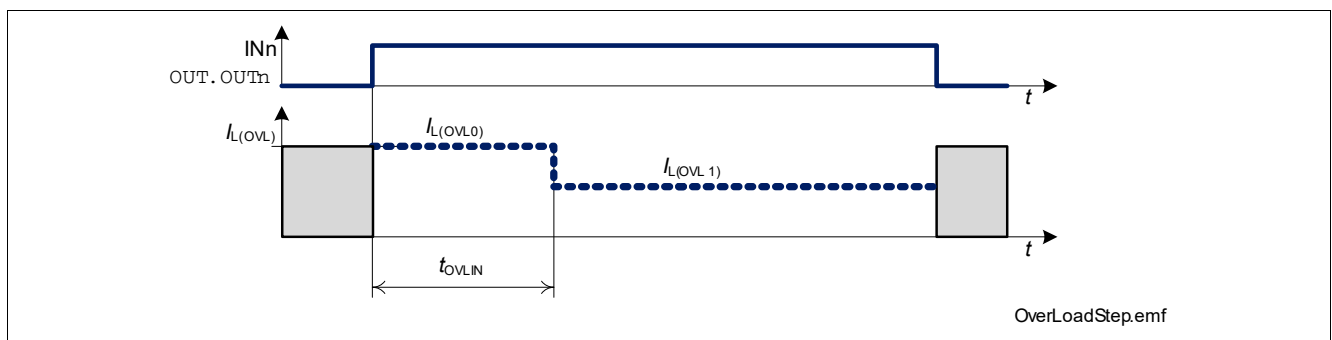


Figure 18 Over Load current thresholds

In case the load current is higher than $I_{L(OVL0)}$ or $I_{L(OVL1)}$, after time $t_{OFF(OVL)}$ the over loaded channel is switched OFF and the according diagnosis bit **ERRn** is set. The channel can be switched ON after clearing the protection latch by setting the corresponding **HWCR_OCL.OUTn** bit to “1”. This bit is set back to “0” internally after de-latching the channel. Please refer to **Figure 19** for details.

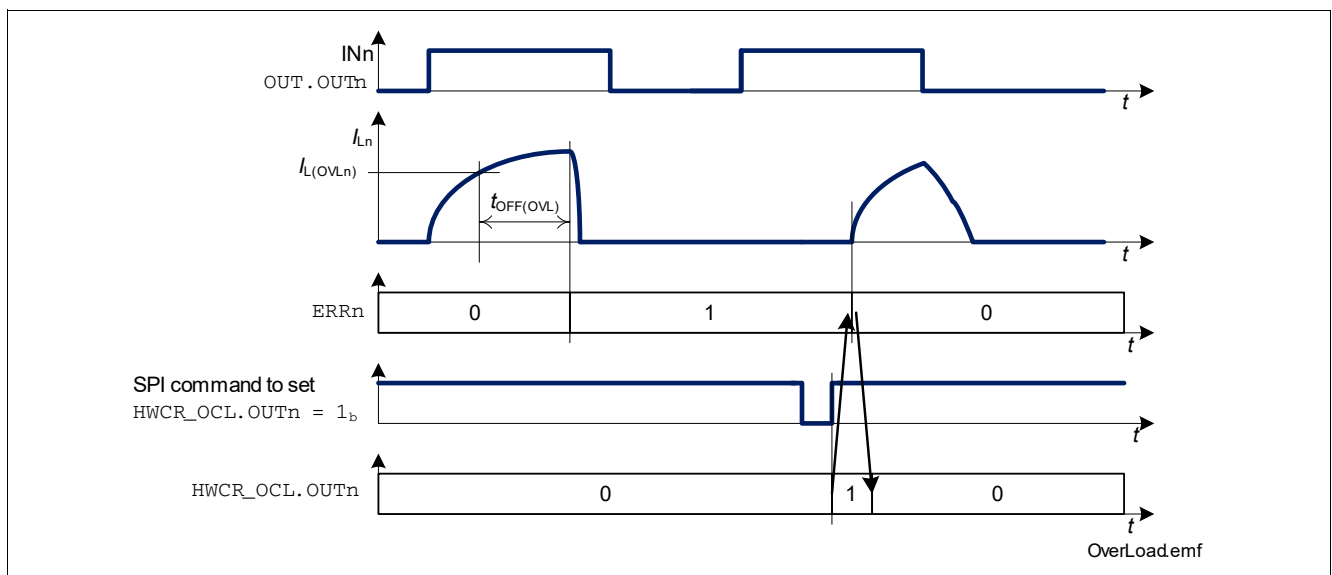


Figure 19 Latch OFF at Over Load

8.2 Over Temperature Protection

A temperature sensor is integrated for each channel, causing an overheated channel to switch OFF to prevent destruction. The according diagnosis bit **ERRn** is set (combined with Over Load protection). The channel can

Protection Functions

be switched ON after clearing the protection latch by setting the corresponding **HWCR_OCL.OUTn** bit to “1”. This bit is set back to “0” internally after de-latching the channel.

8.3 Over Temperature and Over Load Protection in Limp Home mode

When TLE75080-ESD is in Limp Home mode, channels 2 and 3 can be switched ON using the input pins. In case of Over Load, Short Circuit or Over Temperature the channels switch OFF. If the input pins remain “high”, the channels restart with the following timings:

- 10 ms (first 8 retries)
- 20 ms (following 8 retries)
- 40 ms (following 8 retries)
- 80 ms (as long as the input pin remains “high” and the error is still present)

If at any time the input pin is set to “low” for longer than $2 \cdot t_{SYNC}$, the restart timer is reset. At the next channel activation while in Limp Home mode the timer starts from 10 ms again. See **Figure 20** for details. Over Load current thresholds behave as described in **Chapter 8.1**.

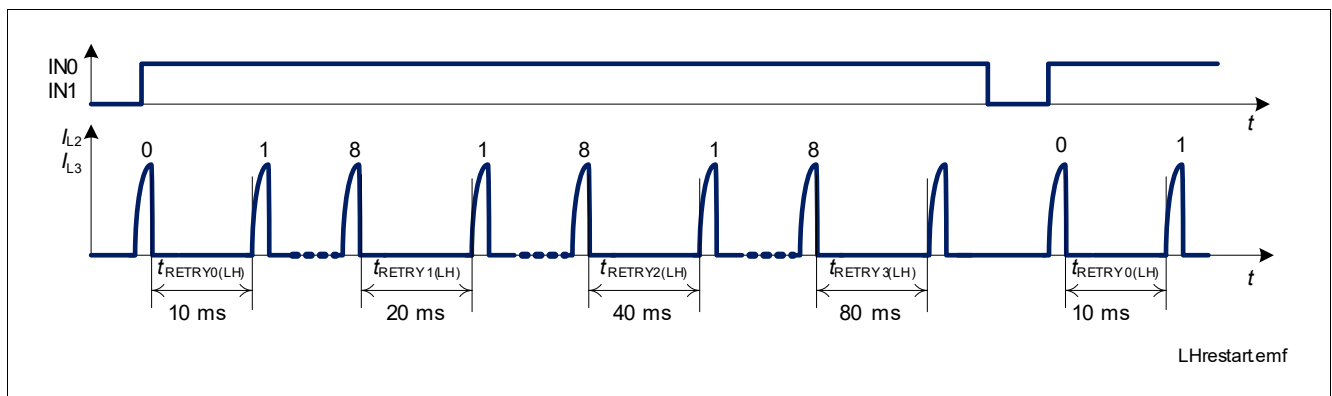


Figure 20 Restart timer in Limp Home mode

8.4 Reverse Polarity Protection

In Reverse Polarity (also known as Reverse Battery) condition, High-Side channels have Reversave™ functionality. Each ESD diode of the logic and supply pins contributes to total power dissipation. Channels with Reversave™ functionality are switched ON almost with the same $R_{DS(ON)}$ (see parameter $R_{DS(REV)}$). The reverse current through the channels has to be limited by the connected loads. The current through digital power supply V_{DD} and input pins has to be limited as well (please refer to the Absolute Maximum Ratings listed on **Chapter 4.1**).

Note: No protection mechanism like temperature protection or current limitation is active during reverse polarity.

8.5 Over Voltage Protection

In the case of supply voltages between $V_{S(SC)}$ and $V_{S(LD)}$ the output transistors are still operational and follow the input pins or the **OUT** register.

In addition to the output clamp for inductive loads as described in **Chapter 7.1.2**, there is a clamp mechanism available for over voltage protection for the logic and all channels, monitoring the voltage between VS and GND pins ($V_{S(AZ)}$).

Protection Functions

8.6 Electrical Characteristics Protection

Table 10 Electrical Characteristics Protection

$V_{DD} = 3\text{ V to }5.5\text{ V}$, $V_S = 7\text{ V to }18\text{ V}$, $T_J = -40\text{ °C to }+150\text{ °C}$ (unless otherwise specified)

Typical values: $V_{DD} = 5\text{ V}$, $V_S = 13.5\text{ V}$, $T_J = 25\text{ °C}$

| Parameter | Symbol | Values | | | Unit | Note or Test Condition | Number |
|--|------------------|--------|-------------------|-------------------|--------------------|---|----------|
| | | Min. | Typ. | Max. | | | |
| Over Load | | | | | | | |
| Over Load detection current | $I_{L(OVL0)}$ | 1.3 | 1.7 | 2.3 | A | $T_J = -40\text{ °C}$ | P_8.8.19 |
| Over Load detection current | $I_{L(OVL0)}$ | 1.25 | 1.55 | 2.3 | A | ¹⁾ $T_J = 25\text{ °C}$ | P_8.8.20 |
| Over Load detection current | $I_{L(OVL0)}$ | 1 | 1.45 | 2 | A | $T_J = 150\text{ °C}$ | P_8.8.21 |
| Over Load detection current | $I_{L(OVL1)}$ | 0.7 | 0.95 | 1.3 | A | $T_J = -40\text{ °C}$ | P_8.8.22 |
| Over Load detection current | $I_{L(OVL1)}$ | 0.65 | 0.85 | 1.3 | A | ¹⁾ $T_J = 25\text{ °C}$ | P_8.8.23 |
| Over Load detection current | $I_{L(OVL1)}$ | 0.5 | 0.8 | 1.25 | A | $T_J = 150\text{ °C}$ | P_8.8.24 |
| Over Load threshold switch delay time | t_{OVLIN} | 110 | 170 | 260 | μs | ¹⁾ | P_8.8.5 |
| Over Load shut-down delay time | $t_{OFF(OVL)}$ | 4 | 7 | 11 | μs | ¹⁾ | P_8.8.26 |
| Over Temperature and Over Voltage | | | | | | | |
| Thermal shut-down temperature | $T_{J(SC)}$ | 150 | 175 ¹⁾ | 220 ¹⁾ | $^{\circ}\text{C}$ | | P_8.8.7 |
| Over voltage protection | $V_{S(AZ)}$ | 42 | 50 | 60 | V | $I_{VS} = 10\text{ mA}$ Sleep mode | P_8.8.8 |
| Reverse Polarity | | | | | | | |
| On-State Resistance during Reverse Polarity (High-Side channels) | $R_{DS(REV)}$ | – | 1.0 | – | Ω | ¹⁾ $V_S = -V_{S(REV)}$ $I_L = I_{L(EAR)}$ $T_J = 25\text{ °C}$ | P_8.8.11 |
| On-State Resistance during Reverse Polarity (High-Side channels) | $R_{DS(REV)}$ | – | 1.8 | – | Ω | ¹⁾ $V_S = -V_{S(REV)}$ $I_L = I_{L(EAR)}$ $T_J = 150\text{ °C}$ | P_8.8.12 |
| Timings | | | | | | | |
| Restart time in Limp Home mode | $t_{RETRY0(LH)}$ | 7 | 10 | 13 | ms | ¹⁾ | P_8.8.13 |
| Restart time in Limp Home mode | $t_{RETRY1(LH)}$ | 14 | 20 | 26 | ms | ¹⁾ | P_8.8.14 |
| Restart time in Limp Home mode | $t_{RETRY2(LH)}$ | 28 | 40 | 52 | ms | ¹⁾ | P_8.8.15 |
| Restart time in Limp Home mode | $t_{RETRY3(LH)}$ | 56 | 80 | 104 | ms | ¹⁾ | P_8.8.16 |

Protection Functions

- 1) Not subject to production test - specified by design

Diagnosis

9 Diagnosis

The SPI of TLE75080-ESD provides diagnosis information about the device and the load status. Each channel diagnosis information is independent from other channels. An error condition on one channel has no influence on the diagnostic of other channels in the device (unless configured to work in parallel, see [Chapter 7.3](#) for more details).

9.1 Over Load and Over Temperature

When either an Over Load or an Over Temperature occurs on one channel, the diagnosis bit **ERRn** is set accordingly. As described in [Chapter 8.1](#) and [Chapter 8.2](#), the channel latches OFF and must be reactivated setting corresponding **HWCR_OCL.OUTn** bit to “1”.

9.2 Output Status Monitor

The device compares each channel V_{OUT} with $V_{OUT(OL)}$ and sets the corresponding **DIAG_OSM.OUTn** bits accordingly. The bits are updated every time **DIAG_OSM** register is read.

- $V_{OUT} > V_{OUT(OL)} \rightarrow \mathbf{DIAG_OSM.OUTn} = \text{“1”}$

A diagnosis current I_{OL} in parallel to the power switch can be enabled by programming the **DIAG_IOL.OUTn** bit, which can be used for Open Load at OFF detection. Each channel has its dedicated diagnosis current source. If the diagnosis current I_{OL} is enabled or if the channel changes state (ON \rightarrow OFF or OFF \rightarrow ON) it is necessary to wait a time t_{OSM} for a reliable diagnosis. Enabling I_{OL} current sources increases the current consumption of the device. Even if an Open Load is detected, the channel is not latched OFF.

See [Figure 21](#) for a timing overview (the values of **DIAG_IOL.OUTn** refer to a channel in normal operation properly connected to the load).

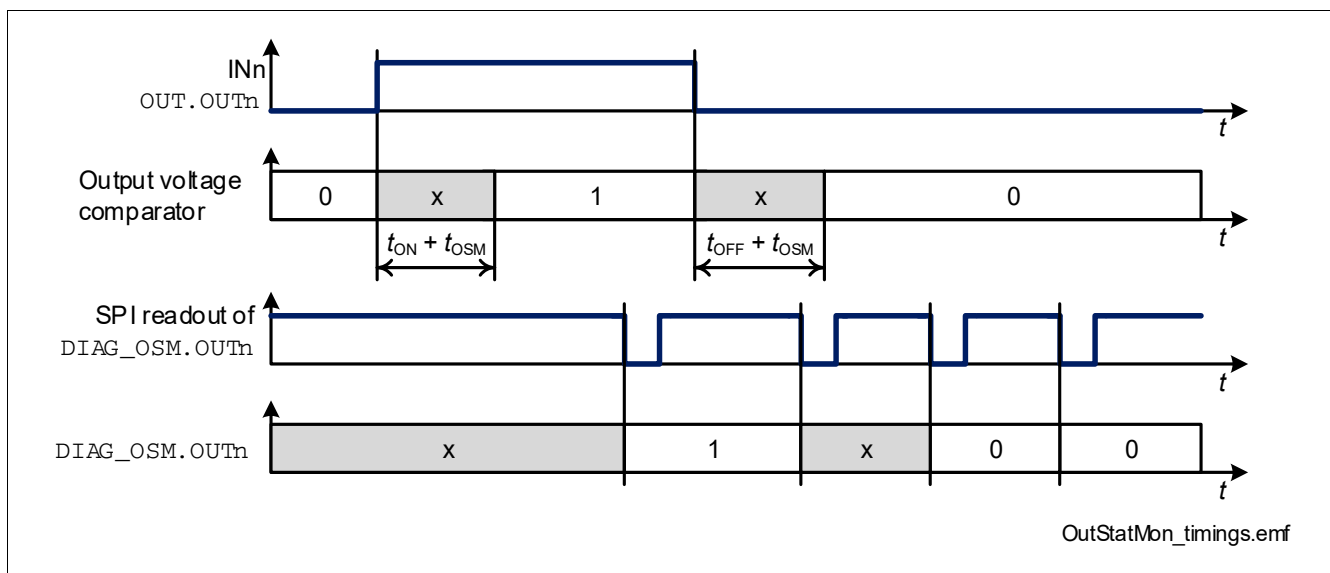


Figure 21 Output Status Monitor timing

Output Status Monitor diagnostic is available when $V_S = V_{S(NOR)}$ and $V_{DD} \geq V_{DD(UV)}$.

Due to the fact that Output Status Monitor checks the voltage level at the outputs in real time, for Open Load in OFF diagnostic it is necessary to synchronize the reading of **DIAG_OSM** register with the OFF state of the channels.

Diagnosis

Figure 22 shows how Output Status Monitor is implemented at concept level.

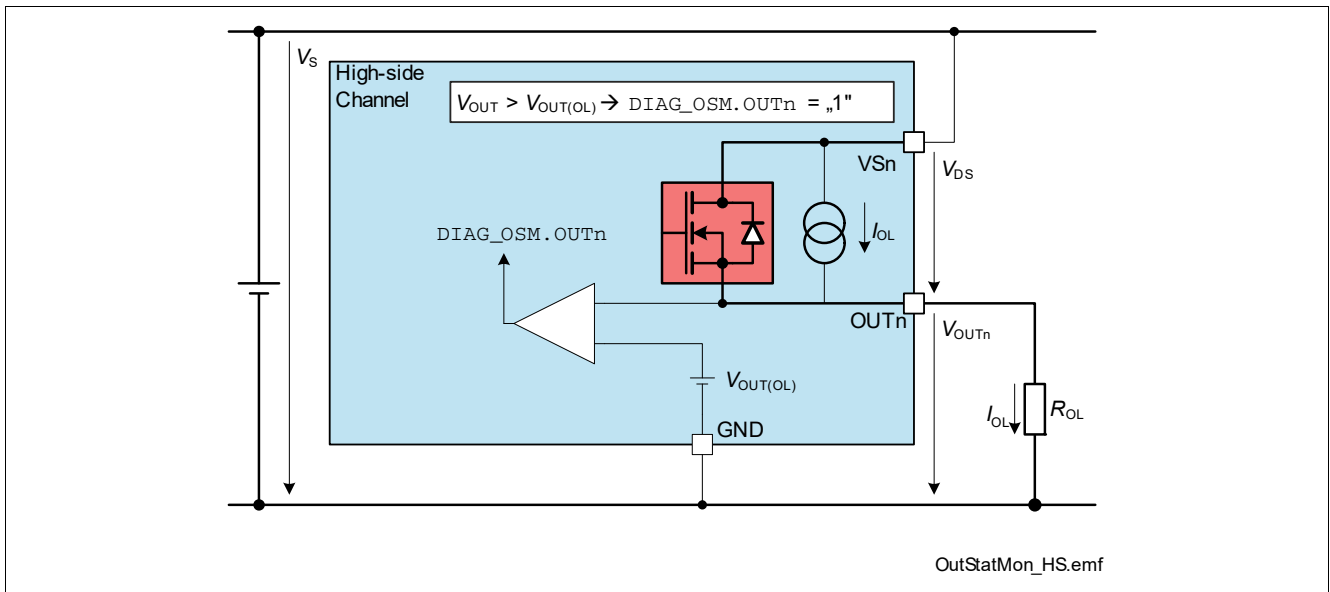


Figure 22 Output Status Monitor - concept

In Standard Diagnosis the bit **OLOFF** represents the OR combination of all **DIAG_OSM.OUTn** bits for all channels in OFF state which have the corresponding current source I_{OL} activated.

Diagnosis

9.3 Electrical Characteristics Diagnosis

Table 11 Electrical Characteristics Diagnosis

$V_{DD} = 3\text{ V to }5.5\text{ V}$, $V_S = 7\text{ V to }18\text{ V}$, $T_J = -40\text{ °C to }+150\text{ °C}$ (unless otherwise specified)
 Typical values: $V_{DD} = 5\text{ V}$, $V_S = 13.5\text{ V}$, $T_J = 25\text{ °C}$

| Parameter | Symbol | Values | | | Unit | Note or Test Condition | Number |
|--|---------------|--------|------|------|------------------|--------------------------|---------|
| | | Min. | Typ. | Max. | | | |
| Output Status Monitor | | | | | | | |
| Output Status Monitor comparator settling time | t_{OSM} | – | – | 20 | μs | ¹⁾ | P_9.5.1 |
| Output Status Monitor threshold voltage | $V_{OUT(OL)}$ | 3 | 3.3 | 3.6 | V | ²⁾ | P_9.5.3 |
| Output diagnosis current | I_{OL} | 70 | 85 | 100 | μA | $V_{OUT} = 3.3\text{ V}$ | P_9.5.5 |
| Open Load equivalent resistance | R_{OL} | 30 | – | 300 | $\text{k}\Omega$ | ¹⁾ | P_9.5.6 |

1) Not subject to production test - specified by design

2) Output status detection voltages are referenced to ground (GND pin)

Serial Peripheral Interface (SPI)

10 Serial Peripheral Interface (SPI)

The serial peripheral interface (SPI) is a full duplex synchronous serial slave interface, which uses four lines: SO, SI, SCLK and CSN. Data is transferred by the lines SI and SO at the rate given by SCLK. The falling edge of CSN indicates the beginning of an access. Data is sampled in on line SI at the falling edge of SCLK and shifted out on line SO at the rising edge of SCLK. Each access must be terminated by a rising edge of CSN. A modulo 8/16 counter ensures that data is taken only when a multiple of 8 bit has been transferred after the first 16 bits. Otherwise a TER bit is asserted. In this way the interface provides daisy chain capability with 16 bit as well as with 8 bit SPI devices.

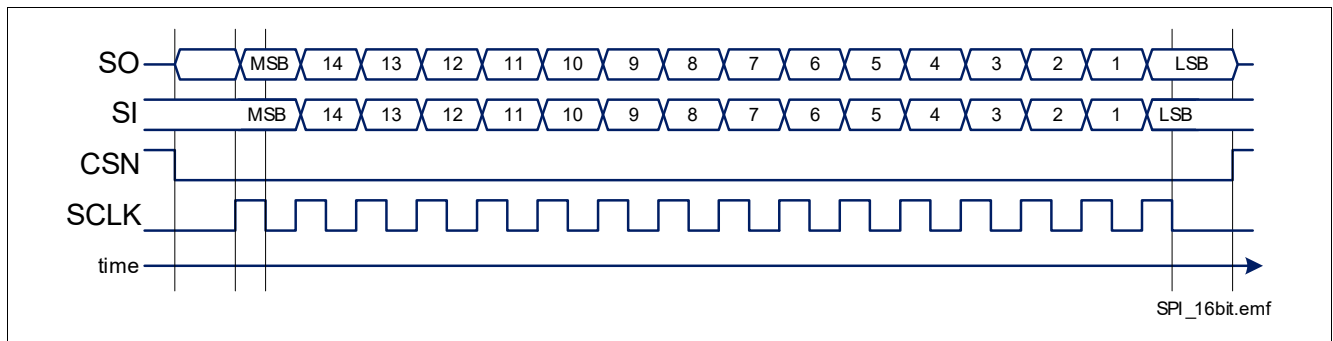


Figure 23 Serial Peripheral Interface

10.1 SPI Signal Description

CSN - Chip Select

The system microcontroller selects the TLE75080-ESD by means of the CSN pin. Whenever the pin is in “low” state, data transfer can take place. When CSN is in "high" state, any signals at the SCLK and SI pins are ignored and SO is forced into a high impedance state.

CSN “high” to “low” Transition

- The requested information is transferred into the shift register.
- SO changes from high impedance state to "high" or “low” state depending on the logic OR combination between the transmission error flag (TER) and the signal level at pin SI. This allows to detect a faulty transmission even in daisy chain configuration.
- If the device is in Sleep mode, SO pin remains in high impedance state and no SPI transmission occurs.

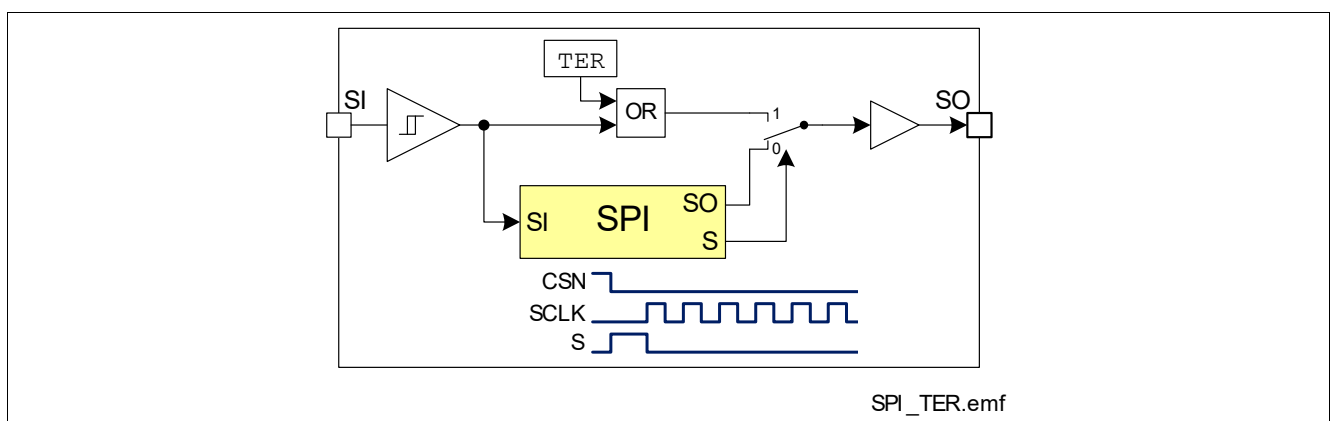


Figure 24 Combinatorial Logic for TER bit

Serial Peripheral Interface (SPI)

CSN “low” to “high” Transition

- Command decoding is only done, when after the falling edge of CSN exactly a multiple (1, 2, 3, ...) of eight SCLK signals have been detected after the first 16 SCLK pulses. In case of faulty transmission, the transmission error bit (TER) is set and the command is ignored.
- Data from shift register is transferred into the addressed register.

SCLK - Serial Clock

This input pin clocks the internal shift register. The serial input (SI) transfers data into the shift register on the falling edge of SCLK while the serial output (SO) shifts diagnostic information out on the rising edge of the serial clock. It is essential that the SCLK pin is in “low” state whenever chip select CSN makes any transition, otherwise the command may be not accepted.

SI - Serial Input

Serial input data bits are shift-in at this pin, the most significant bit first. SI information is read on the falling edge of SCLK. The input data consists of two parts, control bits followed by data bits. Please refer to [Chapter 10.5](#) for further information.

SO Serial Output

Data is shifted out serially at this pin, the most significant bit first. SO is in high impedance state until the CSN pin goes to “low” state. New data appears at the SO pin following the rising edge of SCLK.

Please refer to [Chapter 10.5](#) for further information.

10.2 Daisy Chain Capability

The SPI of TLE75080-ESD provides daisy chain capability. In this configuration several devices are activated by the same CSN signal MCSN. The SI line of one device is connected with the SO line of another device (see [Figure 25](#)), in order to build a chain. The end of the chain is connected to the output and input of the master device, MO and MI respectively. The master device provides the master clock MCLK which is connected to the SCLK line of each device in the chain.

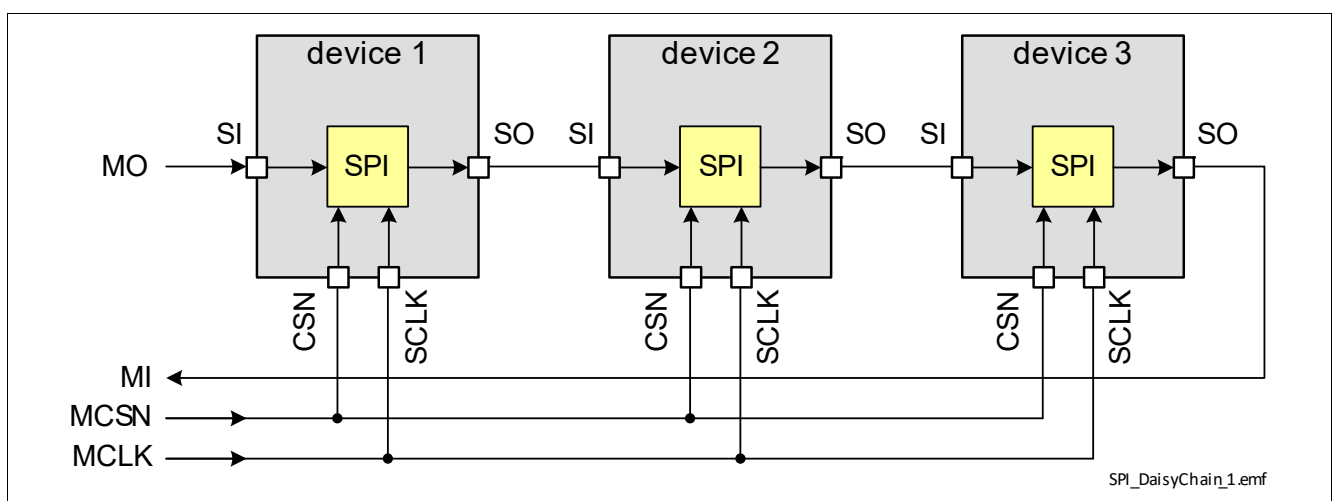


Figure 25 Daisy Chain Configuration

In the SPI block of each device, there is one shift register where each bit from SI line is shifted in each SCLK. The bit shifted out occurs at the SO pin. After sixteen SCLK cycles, the data transfer for one device is finished.

Serial Peripheral Interface (SPI)

In single chip configuration, the CSN line must turn “high” to make the device acknowledge the transferred data. In daisy chain configuration, the data shifted out at device 1 has been shifted in to device 2. When using three devices in daisy chain, several multiples of 8 bits have to be shifted through the devices (depending on how many devices with 8 bit SPI and how many with 16 bit SPI). After that, the MCSN line must turn “high” (see [Figure 26](#)).

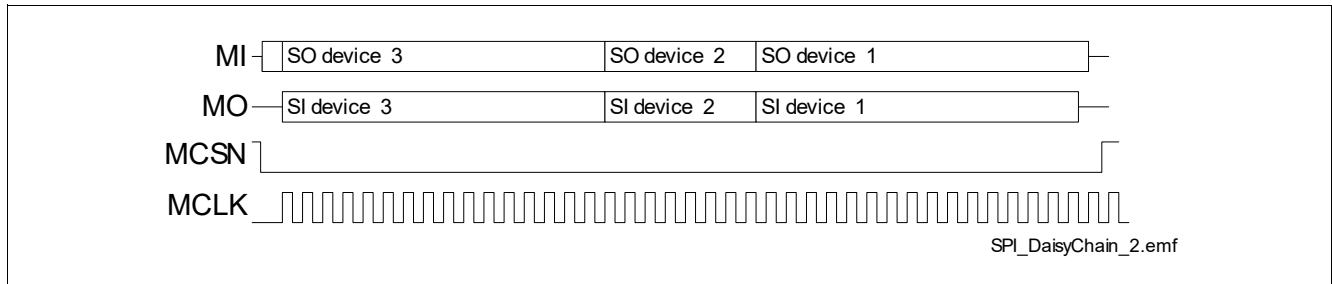


Figure 26 Data Transfer in Daisy Chain Configuration

10.3 Timing Diagrams

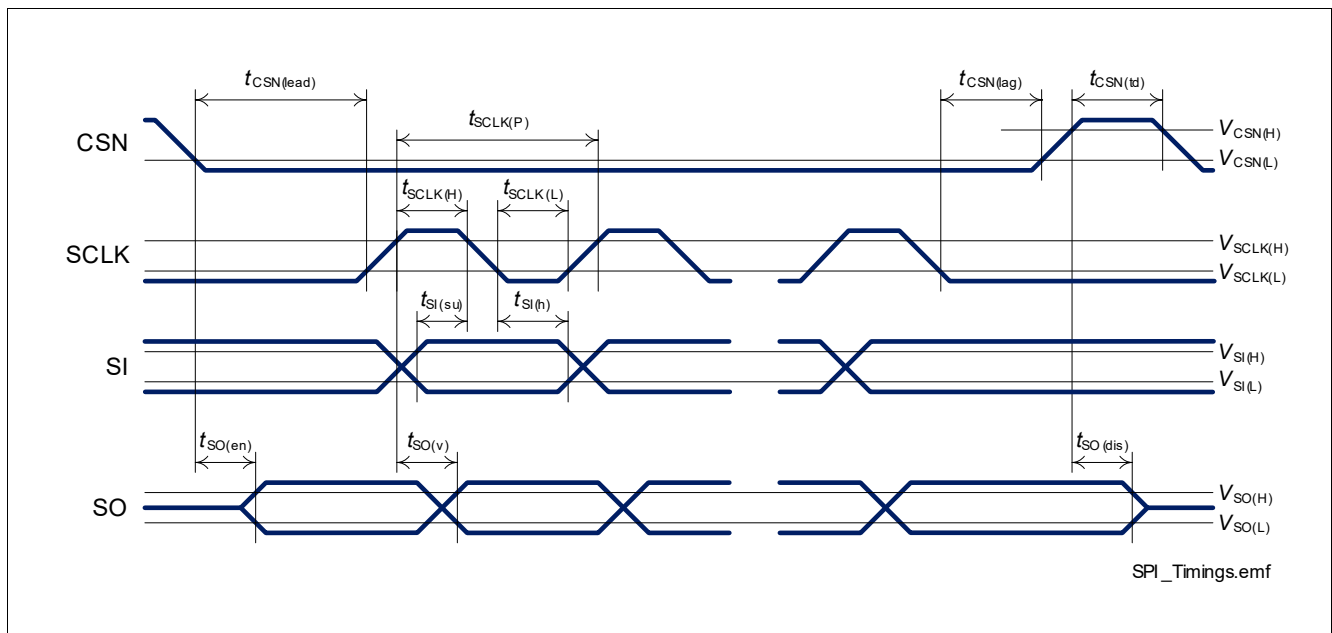


Figure 27 Timing Diagram SPI Access

Serial Peripheral Interface (SPI)

10.4 Electrical Characteristics

$V_{DD} = 3\text{ V to }5.5\text{ V}$, $V_S = 7\text{ V to }18\text{ V}$, $T_J = -40\text{ °C to }+150\text{ °C}$ (unless otherwise specified)

Typical values: $V_{DD} = 5\text{ V}$, $V_S = 13.5\text{ V}$, $T_J = 25\text{ °C}$

Table 12 Electrical Characteristics Serial Peripheral Interface (SPI)

| Parameter | Symbol | Values | | | Unit | Note or Test Condition | Number |
|--|-----------------|----------------|------|----------|---------------|--|-----------|
| | | Min. | Typ. | Max. | | | |
| Input Characteristics (CSN, SCLK, SI) - "low" level of pin | | | | | | | |
| CSN | $V_{CSN(L)}$ | 0 | – | 0.8 | V | – | P_10.4.1 |
| SCLK | $V_{SCLK(L)}$ | 0 | – | 0.8 | V | – | P_10.4.2 |
| SI | $V_{SI(L)}$ | 0 | – | 0.8 | V | – | P_10.4.3 |
| Input Characteristics (CSN, SCLK, SI) - "high" level of pin | | | | | | | |
| CSN | $V_{CSN(H)}$ | 2 | – | V_{DD} | V | – | P_10.4.4 |
| SCLK | $V_{SCLK(H)}$ | 2 | – | V_{DD} | V | – | P_10.4.5 |
| SI | $V_{SI(H)}$ | 2 | – | V_{DD} | V | – | P_10.4.6 |
| Input Pull-Up Current at Pin CSN | | | | | | | |
| L-input pull-up current at CSN pin | $-I_{CSN(L)}$ | 30 | 60 | 90 | μA | $V_{DD} = 5\text{ V}$ $V_{CSN} = 0.8\text{ V}$ | P_10.4.7 |
| H-input pull-up current at CSN pin | $-I_{CSN(H)}$ | 20 | 40 | 65 | μA | $V_{DD} = 5\text{ V}$ $V_{CSN} = 2\text{ V}$ | P_10.4.8 |
| L-Input Pull-Down Current at Pin | | | | | | | |
| SCLK | $I_{SCLK(L)}$ | 5 | 12 | 20 | μA | $V_{SCLK} = 0.8\text{ V}$ | P_10.4.9 |
| SI | $I_{SI(L)}$ | 5 | 12 | 20 | μA | $V_{SI} = 0.8\text{ V}$ | P_10.4.10 |
| H-Input Pull-Down Current at Pin | | | | | | | |
| SCLK | $I_{SCLK(H)}$ | 14 | 28 | 45 | μA | $V_{SCLK} = 2\text{ V}$ | P_10.4.11 |
| SI | $I_{SI(H)}$ | 14 | 28 | 45 | μA | $V_{SI} = 2\text{ V}$ | P_10.4.12 |
| Output Characteristics (SO) | | | | | | | |
| L level output voltage | $V_{SO(L)}$ | 0 | – | 0.4 | V | $I_{SO} = -1.5\text{ mA}$ | P_10.4.13 |
| H level output voltage | $V_{SO(H)}$ | $V_{DD} - 0.4$ | – | V_{DD} | V | $I_{SO} = 1.5\text{ mA}$ | P_10.4.14 |
| Output tristate leakage current | $I_{SO(OFF)}$ | -1 | – | 1 | μA | $V_{CSN} = V_{DD}$ $V_{SO} = 0\text{ V}$ | P_10.4.15 |
| Output tristate leakage current | $I_{SO(OFF)}$ | -1 | – | 1 | μA | $V_{CSN} = V_{DD}$ $V_{SO} = V_{DD}$ | P_10.4.16 |
| Timings | | | | | | | |
| Enable lead time (falling CSN to rising SCLK) | $t_{CSN(lead)}$ | 200 | – | – | ns | ¹⁾ $V_{DD} = 4.5\text{ V or }V_S > 7\text{ V}$ | P_10.4.17 |
| Enable lag time (falling SCLK to rising CSN) | $t_{CSN(lag)}$ | 200 | – | – | ns | ¹⁾ $V_{DD} = 4.5\text{ V or }V_S > 7\text{ V}$ | P_10.4.18 |

Serial Peripheral Interface (SPI)

Table 12 Electrical Characteristics Serial Peripheral Interface (SPI) (cont'd)

| Parameter | Symbol | Values | | | Unit | Note or Test Condition | Number |
|--|-----------------|--------|------|------|---------------|--|-----------|
| | | Min. | Typ. | Max. | | | |
| Transfer delay time (rising CSN to falling CSN) | $t_{CSN(td)}$ | 250 | – | – | ns | ¹⁾ $V_{DD} = 4.5\text{ V or }V_S > 7\text{ V}$ | P_10.4.19 |
| Output enable time (falling CSN to SO valid) | $t_{SO(en)}$ | – | – | 200 | ns | ¹⁾ $V_{DD} = 4.5\text{ V or }V_S > 7\text{ V}$ $C_L = 20\text{ pF at SO pin}$ | P_10.4.20 |
| Output disable time (rising CSN to SO tristate) | $t_{SO(dis)}$ | – | – | 200 | ns | ¹⁾ $V_{DD} = 4.5\text{ V or }V_S > 7\text{ V}$ $C_L = 20\text{ pF at SO pin}$ | P_10.4.21 |
| Serial clock frequency | f_{SCLK} | – | – | 5 | MHz | ¹⁾ $V_{DD} = 4.5\text{ V or }V_S > 7\text{ V}$ | P_10.4.22 |
| Serial clock period | $t_{SCLK(P)}$ | 200 | – | – | ns | ¹⁾ $V_{DD} = 4.5\text{ V or }V_S > 7\text{ V}$ | P_10.4.23 |
| Serial clock “high” time | $t_{SCLK(H)}$ | 75 | – | – | ns | ¹⁾ $V_{DD} = 4.5\text{ V or }V_S > 7\text{ V}$ | P_10.4.24 |
| Serial clock “low” time | $t_{SCLK(L)}$ | 75 | – | – | ns | ¹⁾ $V_{DD} = 4.5\text{ V or }V_S > 7\text{ V}$ | P_10.4.25 |
| Data setup time (required time SI to falling SCLK) | $t_{SI(su)}$ | 20 | – | – | ns | ¹⁾ $V_{DD} = 4.5\text{ V or }V_S > 7\text{ V}$ | P_10.4.26 |
| Data hold time (falling SCLK to SI) | $t_{SI(h)}$ | 20 | – | – | ns | ¹⁾ $V_{DD} = 4.5\text{ V or }V_S > 7\text{ V}$ | P_10.4.27 |
| Output data valid time with capacitive load | $t_{SO(v)}$ | – | – | 100 | ns | ¹⁾ $V_{DD} = 4.5\text{ V or }V_S > 7\text{ V}$ $C_L = 20\text{ pF at SO pin}$ | P_10.4.28 |
| Enable lead time (falling CSN to rising SCLK) | $t_{CSN(lead)}$ | 1 | – | – | μs | ¹⁾ $V_{DD} = V_S = 3.0\text{ V}$ | P_10.4.29 |
| Enable lag time (falling SCLK to rising CSN) | $t_{CSN(lag)}$ | 1 | – | – | μs | ¹⁾ $V_{DD} = V_S = 3.0\text{ V}$ | P_10.4.30 |
| Transfer delay time (rising CSN to falling CSN) | $t_{CSN(td)}$ | 1.25 | – | – | μs | ¹⁾ $V_{DD} = V_S = 3.0\text{ V}$ | P_10.4.31 |

Serial Peripheral Interface (SPI)

Table 12 Electrical Characteristics Serial Peripheral Interface (SPI) (cont'd)

| Parameter | Symbol | Values | | | Unit | Note or Test Condition | Number |
|--|---------------|--------|------|------|---------------|--|-----------|
| | | Min. | Typ. | Max. | | | |
| Output enable time (falling CSN to SO valid) | $t_{SO(en)}$ | – | – | 1 | μs | ¹⁾ $V_{DD} = V_S = 3.0\text{ V}$ $C_L = 20\text{ pF}$ at SO pin | P_10.4.32 |
| Output disable time (rising CSN to SO tristate) | $t_{SO(dis)}$ | – | – | 1 | μs | ¹⁾ $V_{DD} = V_S = 3.0\text{ V}$ $C_L = 20\text{ pF}$ at SO pin | P_10.4.33 |
| Serial clock frequency | f_{SCLK} | – | – | 1 | MHz | ¹⁾ $V_{DD} = V_S = 3.0\text{ V}$ | P_10.4.34 |
| Serial clock period | $t_{SCLK(P)}$ | 1 | – | – | μs | ¹⁾ $V_{DD} = V_S = 3.0\text{ V}$ | P_10.4.35 |
| Serial clock “high” time | $t_{SCLK(H)}$ | 375 | – | – | ns | ¹⁾ $V_{DD} = V_S = 3.0\text{ V}$ | P_10.4.36 |
| Serial clock “low” time | $t_{SCLK(L)}$ | 375 | – | – | ns | ¹⁾ $V_{DD} = V_S = 3.0\text{ V}$ | P_10.4.37 |
| Data setup time (required time SI to falling SCLK) | $t_{SI(su)}$ | 100 | – | – | ns | ¹⁾ $V_{DD} = V_S = 3.0\text{ V}$ | P_10.4.38 |
| Data hold time (falling SCLK to SI) | $t_{SI(h)}$ | 100 | – | – | ns | ¹⁾ $V_{DD} = V_S = 3.0\text{ V}$ | P_10.4.39 |
| Output data valid time with capacitive load | $t_{SO(v)}$ | – | – | 500 | ns | ¹⁾ $V_{DD} = V_S = 3.0\text{ V}$ $C_L = 20\text{ pF}$ at SO pin | P_10.4.40 |

1) Not subject to production test, specified by design

Serial Peripheral Interface (SPI)

10.5 SPI Protocol

The relationship between SI and SO content during SPI communication is shown in **Figure 28**. SI line represents the frame sent from the μC and SO line is the answer provided by TLE75080-ESD.

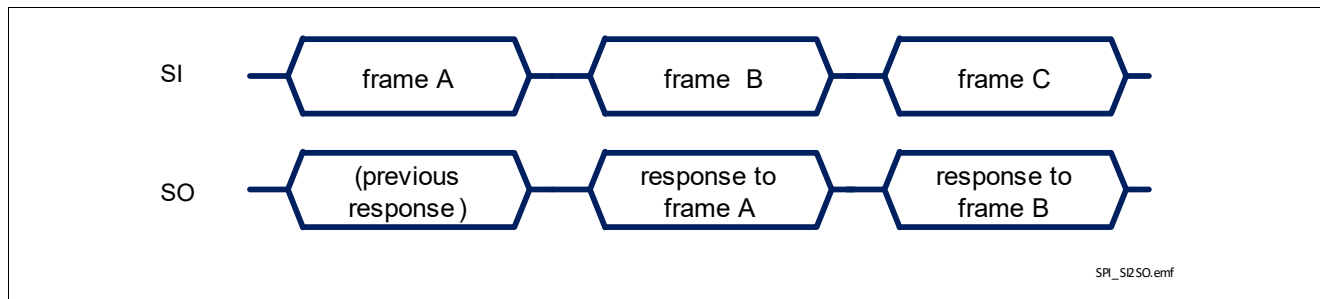


Figure 28 Relationship between SI and SO during SPI communication

The SPI protocol provides the answer to a command frame only with the next transmission triggered by the μC . Although the biggest majority of commands and frames implemented in TLE75080-ESD can be decoded without the knowledge of what happened before, it is advisable to consider what the μC sent in the previous transmission to decode TLE75080-ESD response frame completely.

More in detail, the sequence of commands to “read” and “write” the content of a register looks as follows:

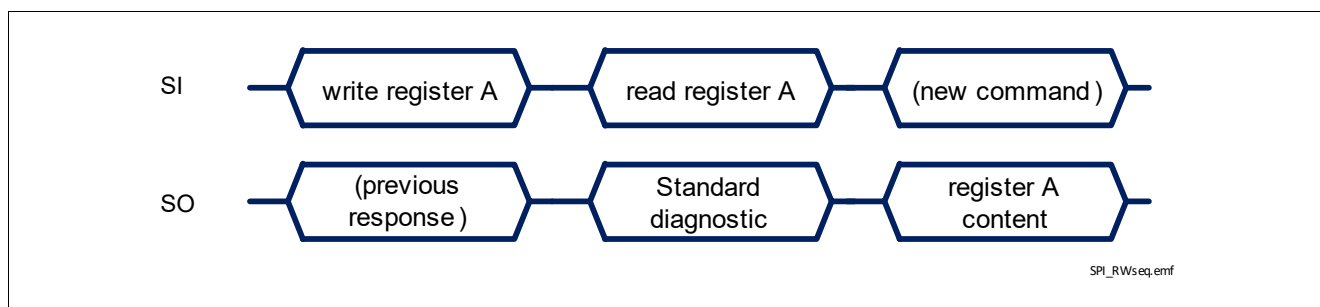


Figure 29 Register content sent back to μC

There are 3 special situations where the frame sent back to the μC is not related directly to the previous received frame:

- in case an error in transmission happened during the previous frame (for instance, the clock pulses were not multiple of 8 with a minimum of 16 bits), shown in **Figure 30**
- when TLE75080-ESD logic supply comes out of Power-On reset condition or after a Software Reset, as shown in **Figure 31**
- in case of command syntax errors
 - “write” command starting with “11” instead of “10”
 - “read” command starting with “00” instead of “01”
 - “read” or “write” commands on registers which are “reserved” or “not used”

Serial Peripheral Interface (SPI)

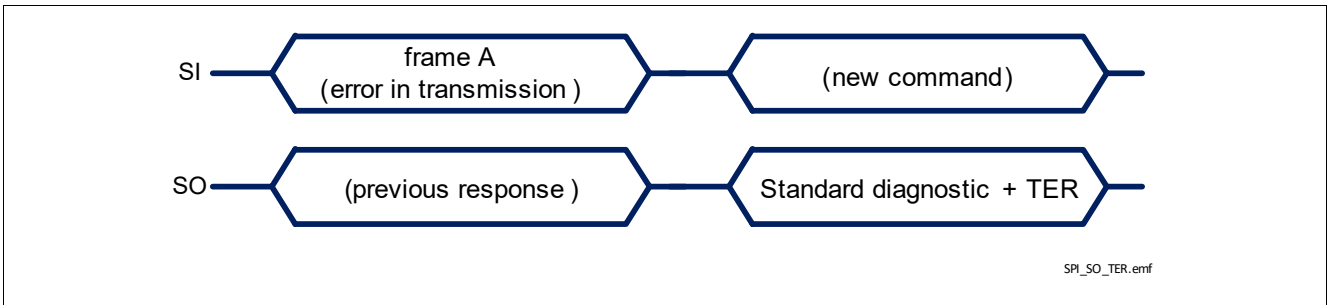


Figure 30 TLE75080-ESD response after a error in transmission

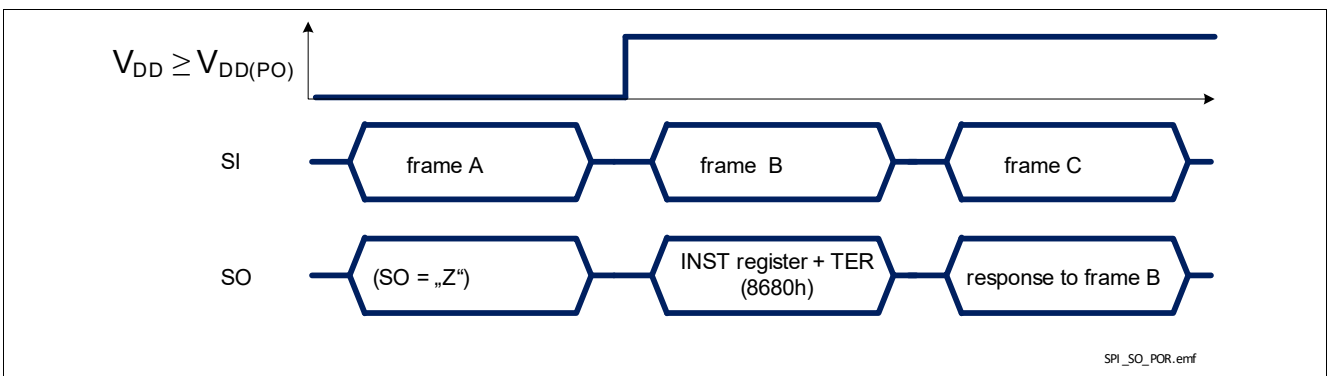


Figure 31 TLE75080-ESD response after coming out of Power-On reset at V_{DD}

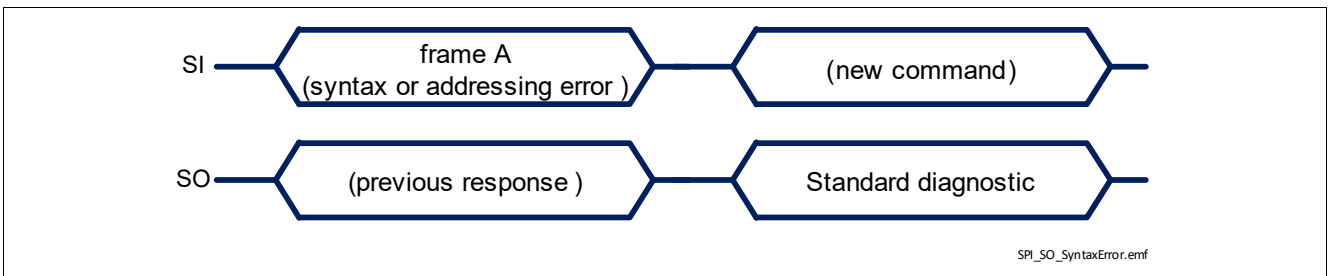


Figure 32 TLE75080-ESD response after a command syntax error

A summary of all possible SPI commands is presented in [Table 13](#), including the answer that TLE75080-ESD sends back at the next transmission.

Serial Peripheral Interface (SPI)

Table 13 SPI Command summary¹⁾

| Requested Operation | Frame sent to SPIDER+ (SI pin) | Frame received from SPIDER+ (SO pin) with the next command |
|----------------------------|--|--|
| Read Standard Diagnosis | 0xxxxxxxxxxxxxxxxx01 _B ("xxxxxxxxxxxxxxxxx _B " = don't care) | 0ddddddddddddddd _B (Standard Diagnosis) |
| Write 8 bit register | 10aaaabbcccccccc _B where: "aaaa _B " = register address ADDR0 "bb _B " = register address ADDR1 "cccccccc _B " = new register content | 0ddddddddddddddd _B (Standard Diagnosis) |
| Read 8 bit registers | 01aaaabbxxxxxxxx10 _B where: "aaaa _B " = register address ADDR0 "bb _B " = register address ADDR1 "xxxxxxxx _B " = don't care | 10aaaabbcccccccc _B where: "aaaa _B " = register address ADDR0 "bb _B " = register address ADDR1 "cccccccc _B " = register content |

1) "a" = address bits for ADDR0 field, "b" = address bit for ADDR1 field, "c" = register content, "d" = diagnostic bit

Serial Peripheral Interface (SPI)

10.6 SPI Registers Overview

10.6.1 Standard Diagnosis

Table 14 Standard Diagnosis

| 15 | 14 | 13 | 12 | 11 | 10 | 9 | 8 | 7 | 6 | 5 | 4 | 3 | 2 | 1 | 0 | Default |
|----|----|----|----|----|----|---|---|---|---|---|---|---|---|---|---|---------|
|----|----|----|----|----|----|---|---|---|---|---|---|---|---|---|---|---------|

| | | | | | | | | | | | | | | | | |
|---|-----------|------------|------|-----|---|-----------|-----|--|--|--|--|--|--|--|--|-------------------|
| 0 | UVR VS | LOP VDD | MODE | TER | 0 | OL OFF | ERR | | | | | | | | | 7800 _H |
|---|-----------|------------|------|-----|---|-----------|-----|--|--|--|--|--|--|--|--|-------------------|

| Field | Bits | Type | Description |
|--------------------|-------|------|--|
| UVRVS | 14 | r | V_S Undervoltage Monitor 0_B No undervoltage condition on V_S detected (see Chapter 6.2.1 for more details) 1_B (default) There was at least one V_S Undervoltage condition since last Standard Diagnosis readout |
| LOPVDD | 13 | r | V_{DD} Lower Operating Range Monitor 0_B V_{DD} is above $V_{DD(LOP)}$ 1_B (default) There was at least one " $V_{DD} = V_{DD(LOP)}$ " condition since last Standard Diagnosis readout |
| MODE | 12:11 | r | Operative Mode Monitor 00_B (reserved) 01_B Limp Home Mode 10_B Active Mode 11_B (default) Idle Mode |
| TER | 10 | r | Transmission Error 0_B Previous transmission was successful (modulo $16 + n \cdot 8$ clocks received, where $n = 0, 1, 2, \dots$) 1_B (default) Previous transmission failed The first frame after a reset is TER set to "high" and the INST register. The second frame is the Standard Diagnosis with TER set to "low" (if there was no fail in the previous transmission). |
| OLOFF | 8 | r | Open Load in OFF Diagnosis 0_B (default) All channels in OFF state (which have DIAG_IOL.OUTn bit set to "1") have $V_{OUT_S} < V_{OUT_S(OL)}$ 1_B At least one channel in OFF state (with DIAG_IOL.OUTn bit set to "1") has $V_{OUT_S} > V_{OUT_S(OL)}$ Channels in ON state are not considered |
| ERRn n = 7 to 0 | n:0 | r | Over Load / Over Temperature Diagnosis of channel n 0_B (default) No failure detected 1_B Over Temperature or Over Load |

Serial Peripheral Interface (SPI)

10.6.2 Register structure

The register banks the digital part have following structure:

Table 15 Register structure - all registers

| 15 | 14 | 13 | 12 | 11 | 10 | 9 | 8 | 7 | 6 | 5 | 4 | 3 | 2 | 1 | 0 | Default |
|----------------|----------------|-------|----|----|----|-------|---|---|------|---|---|---|---|---|---|-------------------|
| r = 0 w = 1 | r = 1 w = 0 | ADDR0 | | | | ADDR1 | | | DATA | | | | | | | XXXX _H |

Table 16 summarizes the available registers with their addressing space and size

Table 16 Register addressing space

| Register name | ADDR0 | ADDR1 | Size | Type | Purpose |
|-----------------------------|-------------------|-----------------|------|------|--|
| OUT n = 7 to 0 | 0000 _B | 00 _B | n | r/w | Power output control register bits OUT . OUTn 0 _B (default) Output is OFF 1 _B Output is ON |
| MAPIN0 n = 7 to 0 | 0001 _B | 00 _B | n | r/w | Input Mapping (Input Pin 0) bits MAPIN0 . OUTn 0 _B (default) The output is not connected to the input pin 1 _B The output is connected to the input pin Note: Channel 2 has the corresponding bit set to “1” by default |
| MAPIN1 n = 7 to 0 | 0001 _B | 01 _B | n | r/w | Input Mapping (Input Pin 1) bits MAPIN1 . OUTn 0 _B (default) The output is not connected to the input pin 1 _B The output is connected to the input pin Note: Channel 3 has the corresponding bit set to “1” by default |
| INST | 0001 _B | 10 _B | 8 | r | Input Status Monitor bit TER 0 _B Previous transmission was successful (modulo 16 + n*8 clocks received, where n = 0, 1, 2...) 1 _B (default) Previous transmission failed bits INST . RES (6:2) - reserved bits INST . INn (1:0) 0 _B (default) The input pin is set to “low” 1 _B The input pin is set to “high” First register transmitted after a reset of the logic |

Serial Peripheral Interface (SPI)

Table 16 Register addressing space (cont'd)

| Register name | ADDR0 | ADDR1 | Size | Type | Purpose |
|-------------------------------|-------------------|-----------------|------|------|---|
| DIAG_IOL n = 7 to 0 | 0010 _B | 00 _B | n | r/w | Open Load diagnostic current control bits DIAG_IOL . OUTn 0 _B (default) Diagnosis current not enabled 1 _B Diagnosis current enabled |
| DIAG_OSM n = 7 to 0 | 0010 _B | 01 _B | n | r | Output Status Monitor bits DIAG_OSM . OUTn 0 _B (default) $V_{OUT_S} < V_{OUT_S(OL)}$ 1 _B $V_{OUT_S} > V_{OUT_S(OL)}$ |
| HWCR | 0011 _B | 00 _B | 8 | r/w | Hardware Configuration Register bit HWCR . ACT (7) (Active Mode) 0 _B (default) Normal operation or device leaves Active Mode 1 _B Device enters Active Mode (see Chapter 6.1 for a description of the possible operative mode transitions) bit HWCR . RST (6) (Reset) 0 _B (default) Normal operation 1 _B Execute Reset command (self clearing) bits HWCR . PAR (3:0) (channels operating in parallel) 0 _B (default) Normal operation 1 _B two neighbour channels have Over Load and Over Temperature synchronized (see Chapter 7.3 for more details) bits 5:4 - reserved (default: 0 _B) |
| HWCR_OCL n = 7 to 0 | 0011 _B | 01 _B | n | w | Output Clear Latch bits HWCR_OCL . OUTn 0 _B (default) Normal operation 1 _B Clear the error latch for the selected output |

10.6.3 Register summary

All registers with addresses not mentioned in [Table 17](#) have to be considered as “reserved”. “Read” operations performed on those registers return the Standard Diagnosis. The column “Default” indicates the content of the register (8 bits) after a reset.

Table 17 Addressable registers

| 15 | 14 | 13-10 | 9 | 8 | 7 | 6 | 5 | 4 | 3 | 2 | 1 | 0 | Default |
|----------------|----------------|-------|----|---|---|---|---|---|---|---|---|---|-----------------|
| r = 0 w = 1 | r = 1 w = 0 | 0000 | 00 | | | | | | | | | | 00 _H |
| r = 0 w = 1 | r = 1 w = 0 | 0001 | 00 | | | | | | | | | | 04 _H |

Serial Peripheral Interface (SPI)

Table 17 Addressable registers

| 15 | 14 | 13-10 | 9 | 8 | 7 | 6 | 5 | 4 | 3 | 2 | 1 | 0 | Default |
|----------------|----------------|-------|----|----------------------|----------------------|------------|---|-----------------|---|-----------------|-----------------|-----------------|---------|
| r = 0 w = 1 | r = 1 w = 0 | 0001 | 01 | MAPIN1.OUTn | | | | | | | | 08 _H | |
| 0 | 1 | 0001 | 10 | TER | (reserved) | | | | | INST.INn | 00 _H | | |
| r = 0 w = 1 | r = 1 w = 0 | 0010 | 00 | DIAG_IOL.OUTn | | | | | | | | 00 _H | |
| 0 | 1 | 0010 | 01 | DIAG_OSM.OUTn | | | | | | | | 00 _H | |
| r = 0 w = 1 | r = 1 w = 0 | 0011 | 00 | HWC R.ACT | HWC R.RST | (reserved) | | HWCR.PAR | | | 00 _H | | |
| r = 0 w = 1 | r = 1 w = 0 | 0011 | 01 | HWCR_OCL.OUTn | | | | | | | | 00 _H | |

10.6.4 SPI command quick list

A summary of the most used SPI commands (read and write operations on all registers) is shown in **Table 18**

Table 18 SPI command quick list

| Register | “read” command” | “write” command | content written |
|-----------------|-------------------|-------------------|---|
| OUT | 4002 _H | 80XX _H | XX _H = xxxxxxxx _B |
| MAPIN0 | 4402 _H | 84XX _H | XX _H = xxxxxxxx _B |
| MAPIN1 | 4502 _H | 85XX _H | XX _H = xxxxxxxx _B |
| INST | 4602 _H | n.a. (read-only) | – |
| DIAG_IOL | 4802 _H | 88XX _H | XX _H = xxxxxxxx _B |
| DIAG_OSM | 4902 _H | n.a. (read-only) | – |
| HWCR | 4C02 _H | 8CXX _H | XX _H = xxxxxxxx _B |
| HWCR_OCL | 4D02 _H | 8DXX _H | XX _H = xxxxxxxx _B |

Application Information

11 Application Information

Note: The following information is given as a hint for the implementation of the device only and shall not be regarded as a description or warranty of a certain functionality, condition or quality of the device.

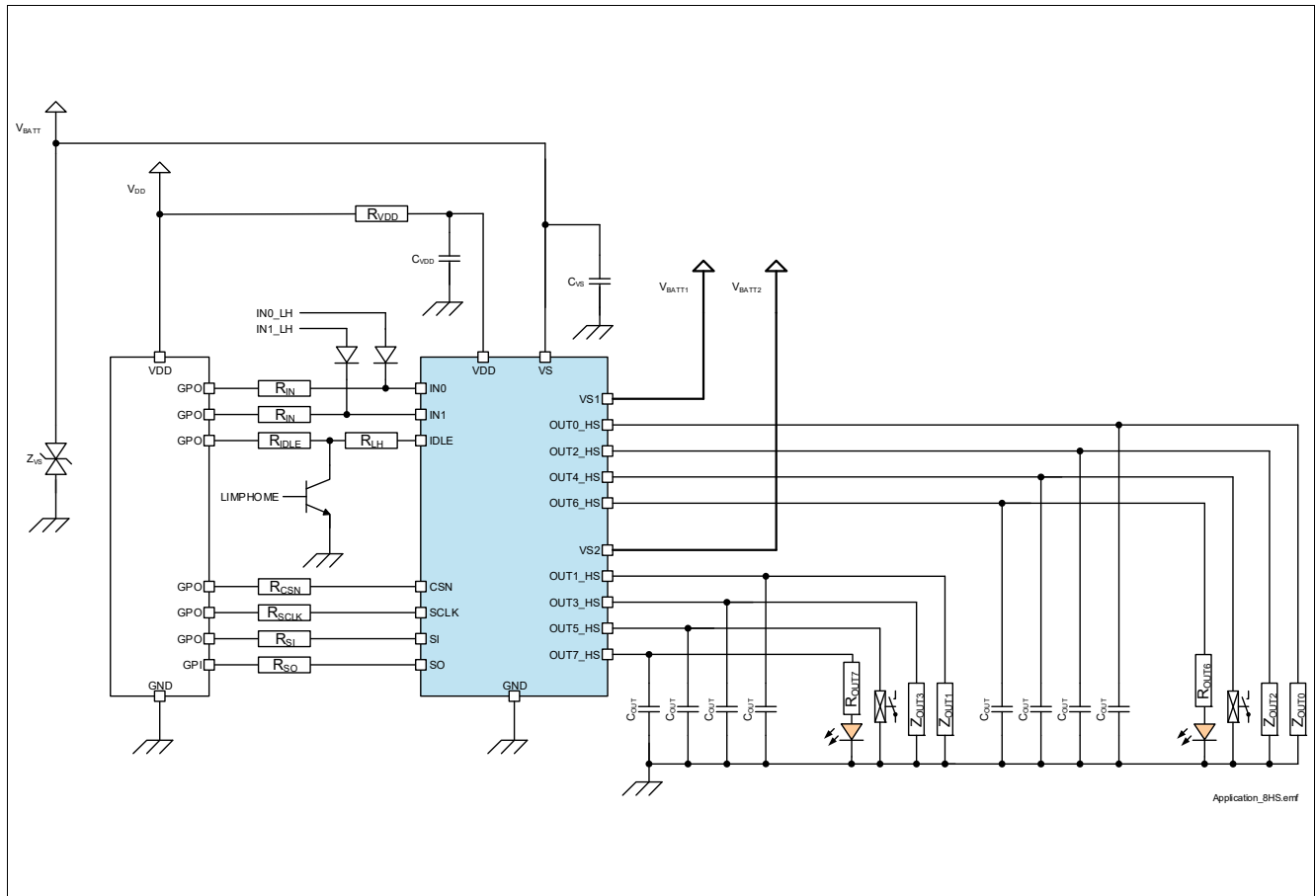


Figure 33 TLE75080-ESD Application Diagram

Note: This is a very simplified example of an application circuit. The function must be verified in the real application.

Table 19 Suggested Component values

| Reference | Value | Purpose |
|------------|----------------|---|
| R_{IN} | 4.7 k Ω | Protection of the micro-controller during Over Voltage and Reverse Polarity Guarantee TLE75080-ESD channels OFF during Loss of Ground |
| R_{IDLE} | 4.7 k Ω | Protection of the micro-controller during Over Voltage and Reverse Polarity Guarantee TLE75080-ESD channels OFF during Loss of Ground |
| R_{CSN} | 500 Ω | Protection of the micro-controller during Over Voltage and Reverse Polarity |
| R_{SCLK} | 500 Ω | Protection of the micro-controller during Over Voltage and Reverse Polarity |
| R_{SI} | 500 Ω | Protection of the micro-controller during Over Voltage and Reverse Polarity |
| R_{SO} | 500 Ω | Protection of the micro-controller during Over Voltage and Reverse Polarity |
| R_{VDD} | 100 Ω | Logic supply voltage spikes filtering |

Application Information

Table 19 Suggested Component values (cont'd)

| Reference | Value | Purpose |
|-----------|---------|---|
| C_{VDD} | 100 nF | Logic supply voltage spikes filtering |
| C_{VS} | 68 nF | Analog supply voltage spikes filtering |
| Z_{VS} | P6SMB30 | Protection of device during Over Voltage. Zener diode |
| C_{OUT} | 10 nF | Protection of TLE75080-ESD against ESD and BCI |

11.1 Further Application Information

- Please contact us for information regarding the Pin FMEA
- For further information you may contact <http://www.infineon.com/>

12 Package Outlines

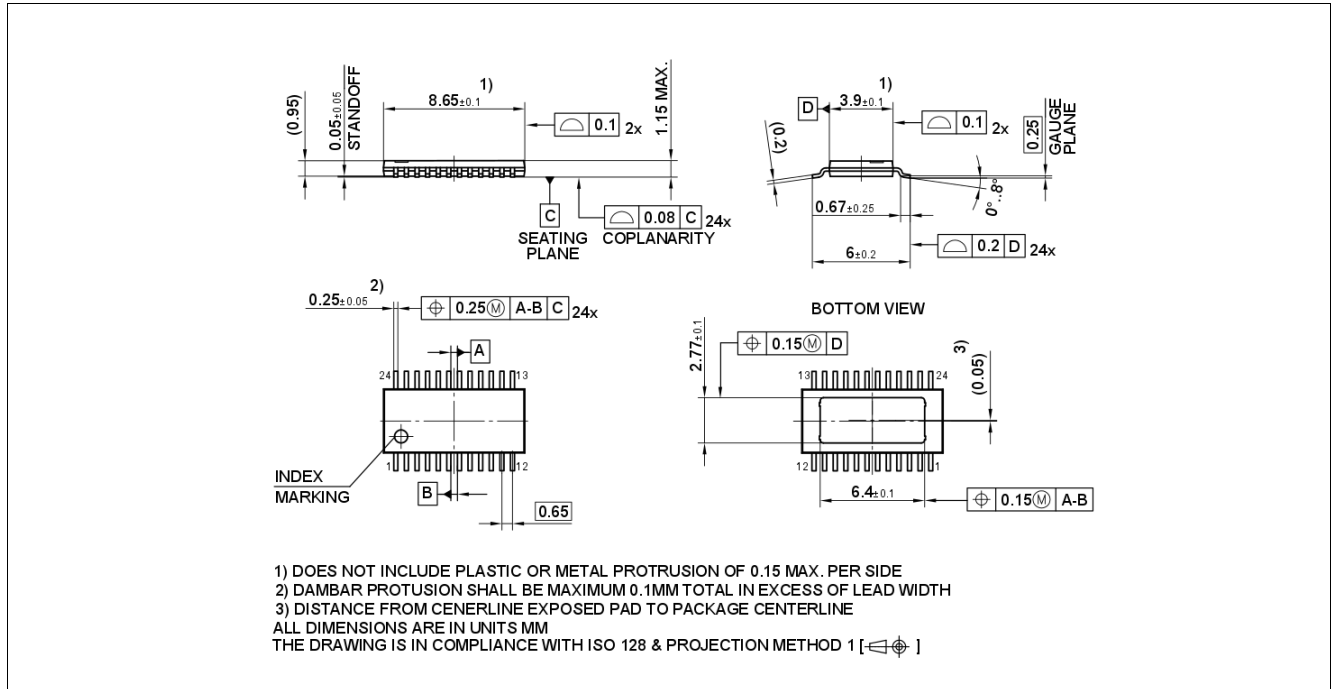


Figure 34 PG-TSDSO-24 Package drawing

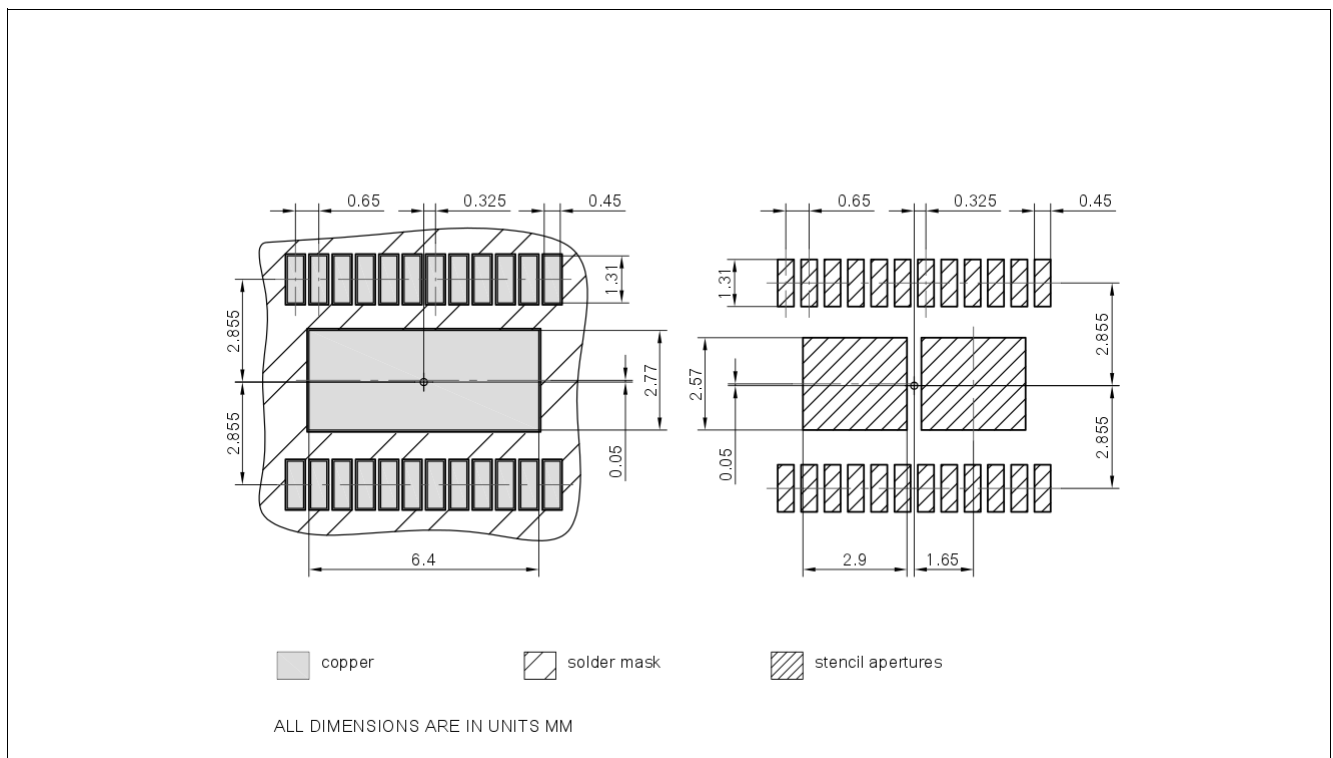


Figure 35 TLE75080-ESD Package pads and stencil

Package Outlines

Green Product (RoHS compliant)

To meet the world-wide customer requirements for environmentally friendly products and to be compliant with government regulations the device is available as a green product. Green products are RoHS-Compliant (i.e Pb-free finish on leads and suitable for Pb-free soldering according to IPC/JEDEC J-STD-020).

Revision History

13 Revision History

| Page or Item | Changes since previous revision |
|------------------------------|--|
| Rev. 1.10, 2020-09-02 | |
| All | Package name updated |
| Table 2 | Updated ESD susceptibility footnotes for HBM and CDM |
| | Updated backcover |
| Rev.1.00, 2017-11-23 | |
| All | Datasheet released |
| TLE75080-ESD | |
| | |

Table of Contents

| | | |
|----------|---|-----------|
| 1 | Overview | 1 |
| 2 | Block Diagram and Terms | 4 |
| 2.1 | Block Diagram | 4 |
| 2.2 | Terms | 5 |
| 3 | Pin Configuration | 6 |
| 3.1 | Pin Assignment | 6 |
| 3.2 | Pin Definitions and Functions | 7 |
| 4 | General Product Characteristics | 9 |
| 4.1 | Absolute Maximum Ratings | 9 |
| 4.2 | Functional Range | 11 |
| 4.3 | Thermal Resistance | 12 |
| 4.3.1 | PCB set up | 12 |
| 4.3.2 | Thermal Impedance | 14 |
| 5 | Control Pins | 15 |
| 5.1 | Input pins | 15 |
| 5.2 | IDLE pin | 15 |
| 5.3 | Electrical Characteristics Control Pins | 17 |
| 6 | Power Supply | 18 |
| 6.1 | Operation Modes | 21 |
| 6.1.1 | Power-up | 22 |
| 6.1.2 | Sleep mode | 22 |
| 6.1.3 | Idle mode | 22 |
| 6.1.4 | Active mode | 23 |
| 6.1.5 | Limp Home mode | 23 |
| 6.1.6 | Definition of Power Supply modes transition times | 23 |
| 6.2 | Reset condition | 24 |
| 6.2.1 | Undervoltage on V_S | 24 |
| 6.2.2 | Low Operating Power on V_{DD} | 25 |
| 6.3 | Electrical Characteristics Power Supply | 26 |
| 7 | Power Stages | 33 |
| 7.1 | Output ON-state resistance | 33 |
| 7.1.1 | Switching Resistive Loads | 33 |
| 7.1.2 | Inductive Output Clamp | 33 |
| 7.1.3 | Maximum Load Inductance | 34 |
| 7.2 | Inverse Current Behavior | 34 |
| 7.3 | Switching Channels in parallel | 35 |
| 7.4 | Electrical Characteristics Power Stages | 36 |
| 8 | Protection Functions | 39 |
| 8.1 | Over Load Protection | 39 |
| 8.2 | Over Temperature Protection | 39 |
| 8.3 | Over Temperature and Over Load Protection in Limp Home mode | 40 |
| 8.4 | Reverse Polarity Protection | 40 |
| 8.5 | Over Voltage Protection | 40 |
| 8.6 | Electrical Characteristics Protection | 41 |
| 9 | Diagnosis | 43 |

| | | |
|-----------|--|-----------|
| 9.1 | Over Load and Over Temperature | 43 |
| 9.2 | Output Status Monitor | 43 |
| 9.3 | Electrical Characteristics Diagnosis | 45 |
| 10 | Serial Peripheral Interface (SPI) | 46 |
| 10.1 | SPI Signal Description | 46 |
| 10.2 | Daisy Chain Capability | 47 |
| 10.3 | Timing Diagrams | 48 |
| 10.4 | Electrical Characteristics | 49 |
| 10.5 | SPI Protocol | 52 |
| 10.6 | SPI Registers Overview | 55 |
| 10.6.1 | Standard Diagnosis..... | 55 |
| 10.6.2 | Register structure | 56 |
| 10.6.3 | Register summary | 57 |
| 10.6.4 | SPI command quick list | 58 |
| 11 | Application Information | 59 |
| 11.1 | Further Application Information | 60 |
| 12 | Package Outlines | 61 |
| 13 | Revision History | 63 |

Trademarks of Infineon Technologies AG

All referenced product or service names and trademarks are the property of their respective owners.

Edition 2020-09-02

Published by

Infineon Technologies AG

81726 Munich, Germany

© 2020 Infineon Technologies AG.

All Rights Reserved.

Do you have a question about any aspect of this document?

Email: erratum@infineon.com

IMPORTANT NOTICE

The information given in this document shall in no event be regarded as a guarantee of conditions or characteristics ("Beschaffenhheitsgarantie").

With respect to any examples, hints or any typical values stated herein and/or any information regarding the application of the product, Infineon Technologies hereby disclaims any and all warranties and liabilities of any kind, including without limitation warranties of non-infringement of intellectual property rights of any third party.

In addition, any information given in this document is subject to customer's compliance with its obligations stated in this document and any applicable legal requirements, norms and standards concerning customer's products and any use of the product of Infineon Technologies in customer's applications.

The data contained in this document is exclusively intended for technically trained staff. It is the responsibility of customer's technical departments to evaluate the suitability of the product for the intended application and the completeness of the product information given in this document with respect to such application.

For further information on technology, delivery terms and conditions and prices, please contact the nearest Infineon Technologies Office (www.infineon.com).

WARNINGS

Due to technical requirements products may contain dangerous substances. For information on the types in question please contact your nearest Infineon Technologies office.

Except as otherwise explicitly approved by Infineon Technologies in a written document signed by authorized representatives of Infineon Technologies, Infineon Technologies' products may not be used in any applications where a failure of the product or any consequences of the use thereof can reasonably be expected to result in personal injury.