

1747063-1 ✓ ACTIVE



GRACE INERTIA 2.5

TE Internal #: 1747063-1

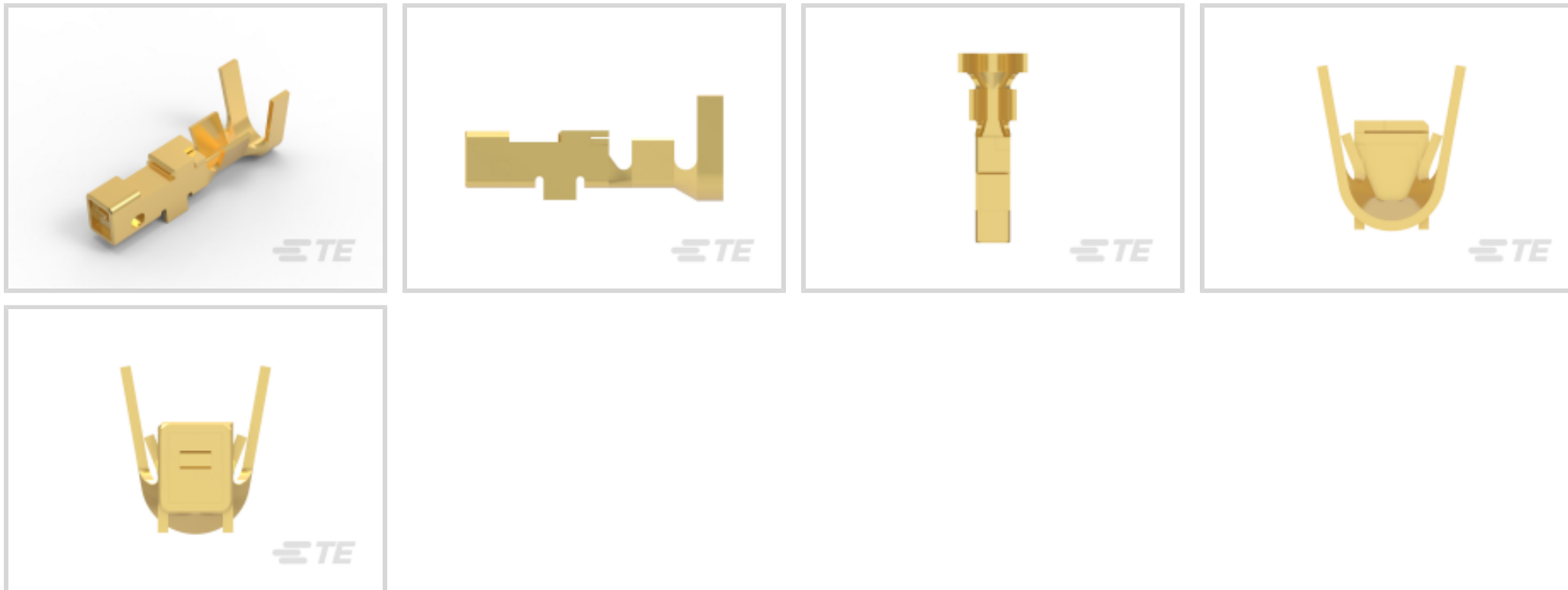
Socket Contact, Gold, 50 VAC, 50 VDC, Locking Lance Contact

Retention, Discrete Wire, 28 – 22 AWG Wire Size, GRACE INERTIA

2.5

[View on TE.com >](#)

Connectors > Contacts > Connector Contacts > Sig GRACE INERTIA Receptacle



Contact Type: **Socket**

Contact Mating Area Plating Material: **Gold**

Operating Voltage: **50 VDC**

Contact Retention Within Housing: **With**

[All Sig GRACE INERTIA Receptacle \(8\)](#)

Features

Configuration Features

Compatible With Wire & Cable Type

Discrete Wire

Electrical Characteristics

Insulation Resistance

1000 M Ω

Operating Voltage

50 VDC

Contact Features

Mating Tab Width

.5 mm[.02 in]

Mating Tab Thickness

.46 mm[.018 in]

Contact Underplating Material

Nickel

Contact Type

Socket

Contact Mating Area Plating Material

Gold

Contact Retention Within Housing

With

Contact Base Material

Phosphor Bronze

Contact Current Rating (Max)

2.5 A



Termination Features

Termination Method to Wire & Cable	Crimp
Product Terminates To	Wire & Cable

Mechanical Attachment

Contact Retention Type Within Housing	Locking Lance
---------------------------------------	---------------

Dimensions

Compatible Insulation Diameter Range	1.09 – 1.9 mm [.043 – .075 in]
Wire Size	.079 – .38 mm ²

Usage Conditions

Operating Temperature Range	-30 – 105 °C [-22 – 221 °F]
-----------------------------	-----------------------------

Operation/Application

Circuit Application	Signal
---------------------	--------

Packaging Features

Packaging Quantity	6000
Packaging Method	Reel

Product Compliance

[For compliance documentation, visit the product page on TE.com>](#)

EU RoHS Directive 2011/65/EU	Compliant
EU ELV Directive 2000/53/EC	Compliant
China RoHS 2 Directive MIIT Order No 32, 2016	No Restricted Materials Above Threshold
EU REACH Regulation (EC) No. 1907/2006	Current ECHA Candidate List: JAN 2024 (240) Candidate List Declared Against: JAN 2024 (240) Does not contain REACH SVHC
Halogen Content	Low Halogen - Br, Cl, F, I < 900 ppm per homogenous material. Also BFR/CFR/PVC Free
Solder Process Capability	Not applicable for solder process capability

Product Compliance Disclaimer

This information is provided based on reasonable inquiry of our suppliers and represents our current actual knowledge based on the information they provided. This information is subject to change. The part numbers that TE has identified as EU RoHS compliant have a maximum concentration of 0.1% by weight in homogenous materials for lead, hexavalent chromium, mercury, PBB, PBDE, DBP, BBP, DEHP, DIBP, and 0.01% for cadmium, or qualify for an exemption to these limits as defined in the Annexes of Directive 2011/65/EU (RoHS2). Finished electrical and electronic equipment products

will be CE marked as required by Directive 2011/65/EU. Components may not be CE marked. Additionally, the part numbers that TE has identified as EU ELV compliant have a maximum concentration of 0.1% by weight in homogenous materials for lead, hexavalent chromium, and mercury, and 0.01% for cadmium, or qualify for an exemption to these limits as defined in the Annexes of Directive 2000/53/EC (ELV). Regarding the REACH Regulation, the information TE provides on SVHC in articles for this part number is based on the latest European Chemicals Agency (ECHA) 'Guidance on requirements for substances in articles' posted at this URL: <https://echa.europa.eu/guidance-documents/guidance-on-reach>

Compatible Parts



TE Part # 2-1747066-3
GRACE INERTIA CONN 2.5 PLUG
HSG 3P BLUE



TE Part # 1747066-4
GRACE INERTIA CONN 2.5 PLUG
HSG 4P NATUR



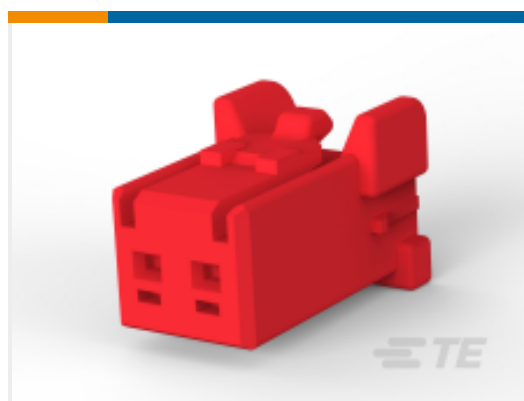
TE Part # 1747066-2
GRACE INERTIA CONN 2.5 PLUG
HSG 2P NATUR



TE Part # 1747066-6
GRACE INERTIA CONN 2.5 PLUG
HSG 6P NATUR



TE Part # 1747066-5
GRACE INERTIA CONN 2.5 PLUG
HSG 5P NATUR



TE Part # 1-1747066-2
GRACE INERTIA CONN 2.5 PLUG
HSG 2P RED



TE Part # 1747066-3
GRACE INERTIA CONN 2.5 PLUG
HSG 3P NATUR



TE Part # 2-1747066-4
GRACE INERTIA CONN 2.5 PLUG
HSG 4P BLUE



TE Part # 2134384-1
GIC 2.5 REC CONT TIN PLATE TYPE
(2L TYPE)



TE Part # 1747066-8
GRACE INERTIA CONN 2.5 PLUG
HSG 8P NATUR



TE Part # 2-1747066-6
GRACE INERTIA CONN 2.5 PLUG
HSG 6P BLUE



TE Part # 1-1747066-6
GRACE INERTIA CONN 2.5 PLUG
HSG 6P RED



TE Part # 1-1747066-5
GRACE INERTIA CONN 2.5 PLUG
HSG 5P RED



TE Part # 1762236-1
SDE SAHT GIC 2.5 REC M 28-22 ASSY



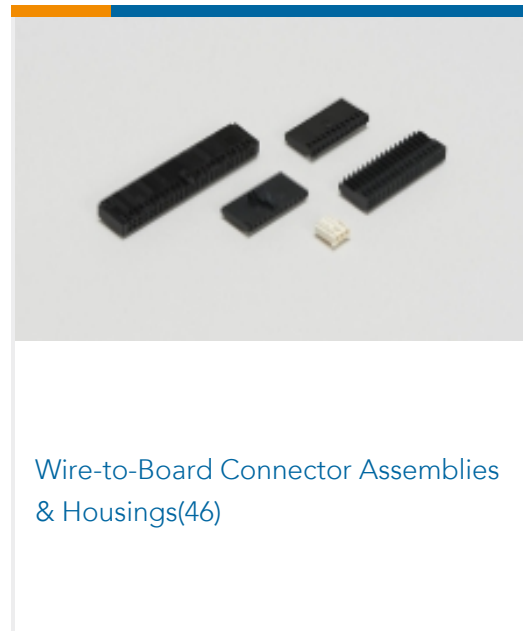
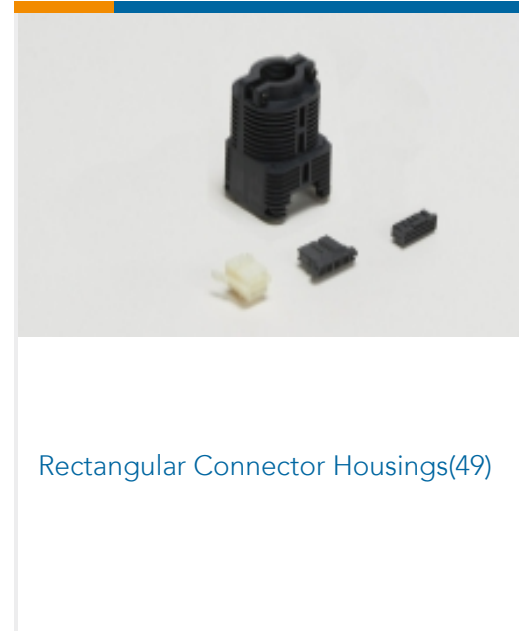
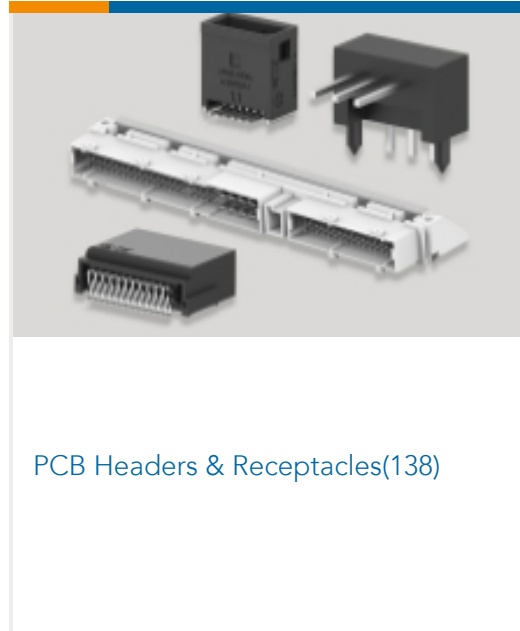
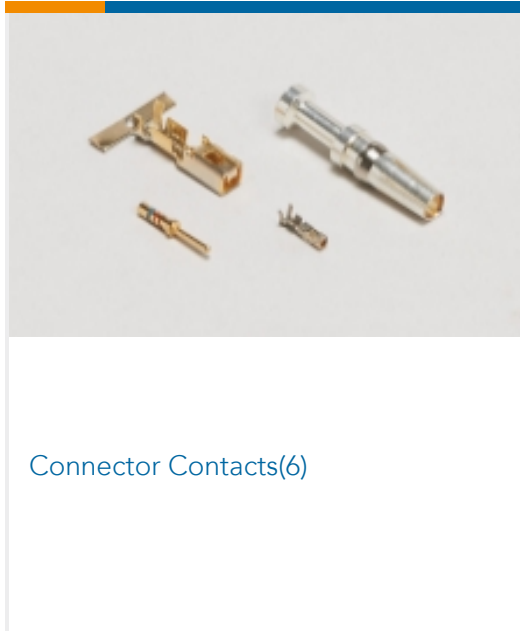
TE Part # 2151127-1
OCEAN_2.0_APPLICATOR-S-
046F070F-RSM



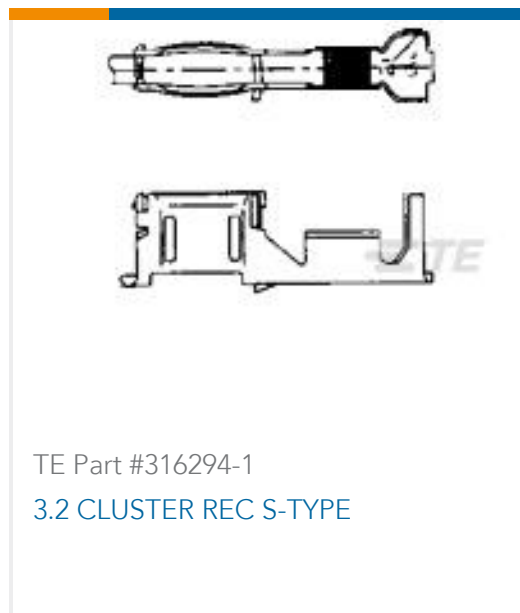
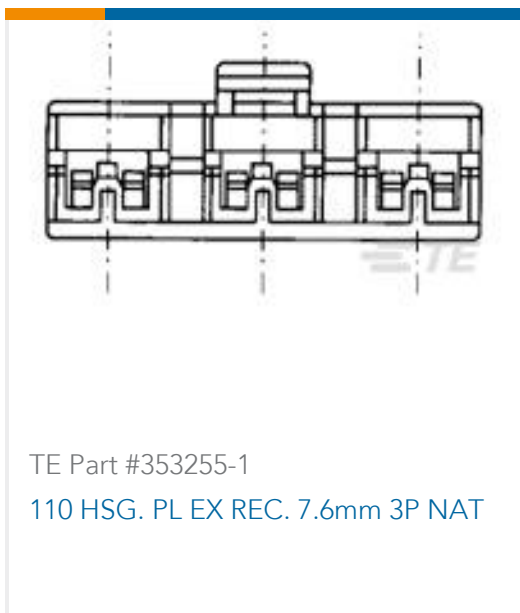
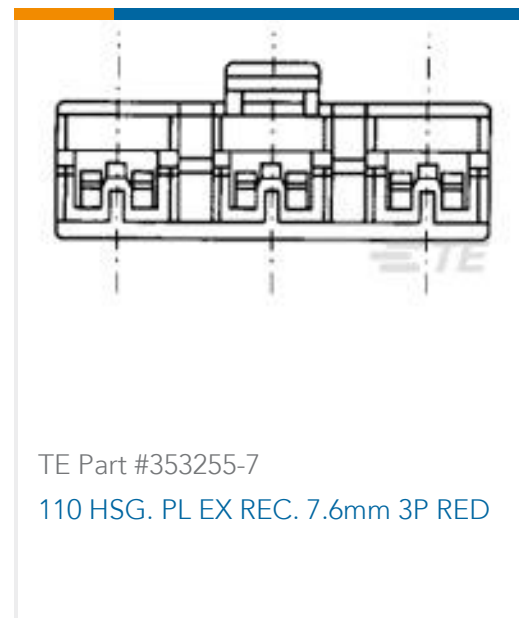
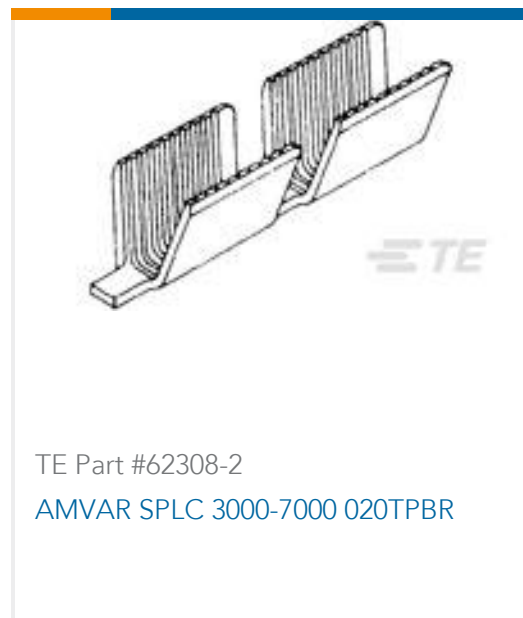
TE Part # 2151127-2
OCEAN_2.0_APPLICATOR-S-
046F070FA



Also in the Series | **GRACE INERTIA 2.5**



Customers Also Bought





Documents

Product Drawings

[GRACE INERTIA CONN 2.5 REC CON](#)

Japanese

CAD Files

Customer View Model

[ENG_CVM_CVM_1747063-1_J.2d_dxf.zip](#)

English

3D PDF

3D

Customer View Model

[ENG_CVM_CVM_1747063-1_J.3d_igs.zip](#)

English

Customer View Model

[ENG_CVM_CVM_1747063-1_J.3d_stp.zip](#)

English

By downloading the CAD file I accept and agree to the [Terms and Conditions](#) of use.

Product Specifications

[Application Specification](#)

Japanese

[Application Specification](#)

English