

# DATA SHEET

WIRELESS COMPONENTS  
Ceramic Patch Antenna  
ANT2525B00DT1516A  
GPS & GLONASS  
PIN 25\*25\*4 mm



FEATURES

- Support GPS & GLONASS system
- High radiation efficiency
- Pin-solder process
- RoHS compliant

APPLICATIONS

- Navigation device
- Telematics box
- Fleet management

ORDERING INFORMATION-

All part numbers are identified by the series, packing type, material, size, antenna type, working frequency and packing quantity.

**PART NUMBER**

**ANT 2525 B 00D T 1516A**  
 (1) (2) (3) (4) (5) (6)

<b>(1) FAMILY</b>	ANT = Antenna
<b>(2) SIZE</b>	2525 = 25 × 25
<b>(3) ANTENNA TYPE</b>	B = bulk Antenna
<b>(4) SERIAL NO.</b>	00D
<b>(5) PACKING STYLE</b>	T = Tray
<b>(6) WORKING FREQUENCY</b>	1516 = 1.575/1.602 GHz
<b>PHYCOMP CTC</b>	CAN43134250D1561B
<b>I2NC</b>	43134250D156

**SPECIFICATION**

Table 1

DESCRIPTION	VALUE
Operating Frequency	1575 ~ 1606 MHz
Bandwidth	GPS: 20 MHz(Typ.) Glonass: 20 MHz(Typ.)
Gain	GPS: 4.94 dBi(Typ.) Glonass: 4.92 dBi(Typ.)
VSWR	2.0 Max
Polarization	RHCP
Axis Ratio	≤ 10 dB (Typ.)
Impedance	50 Ω
Operating Temperature	-40~ 105 °C

**NOTE**

1. Based on 70\* 70 mm<sup>2</sup> square ground plane.
2. Central frequency will be offset to working frequency while changes of customer’s housing and ground plane.
3. Please contact local sales if you need customized design to gain optimum antenna performance.

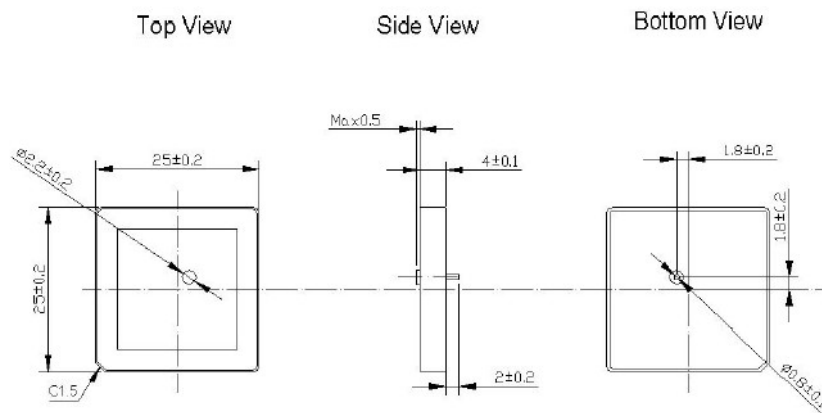
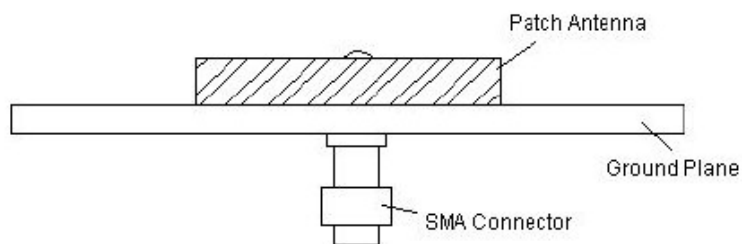


Fig. 1 Mechanical data



**Ground Plane Size: 70\*70 mm<sup>2</sup>**

Fig. 2 Evaluation Board

**ELECTRICAL PERFORMANCES**

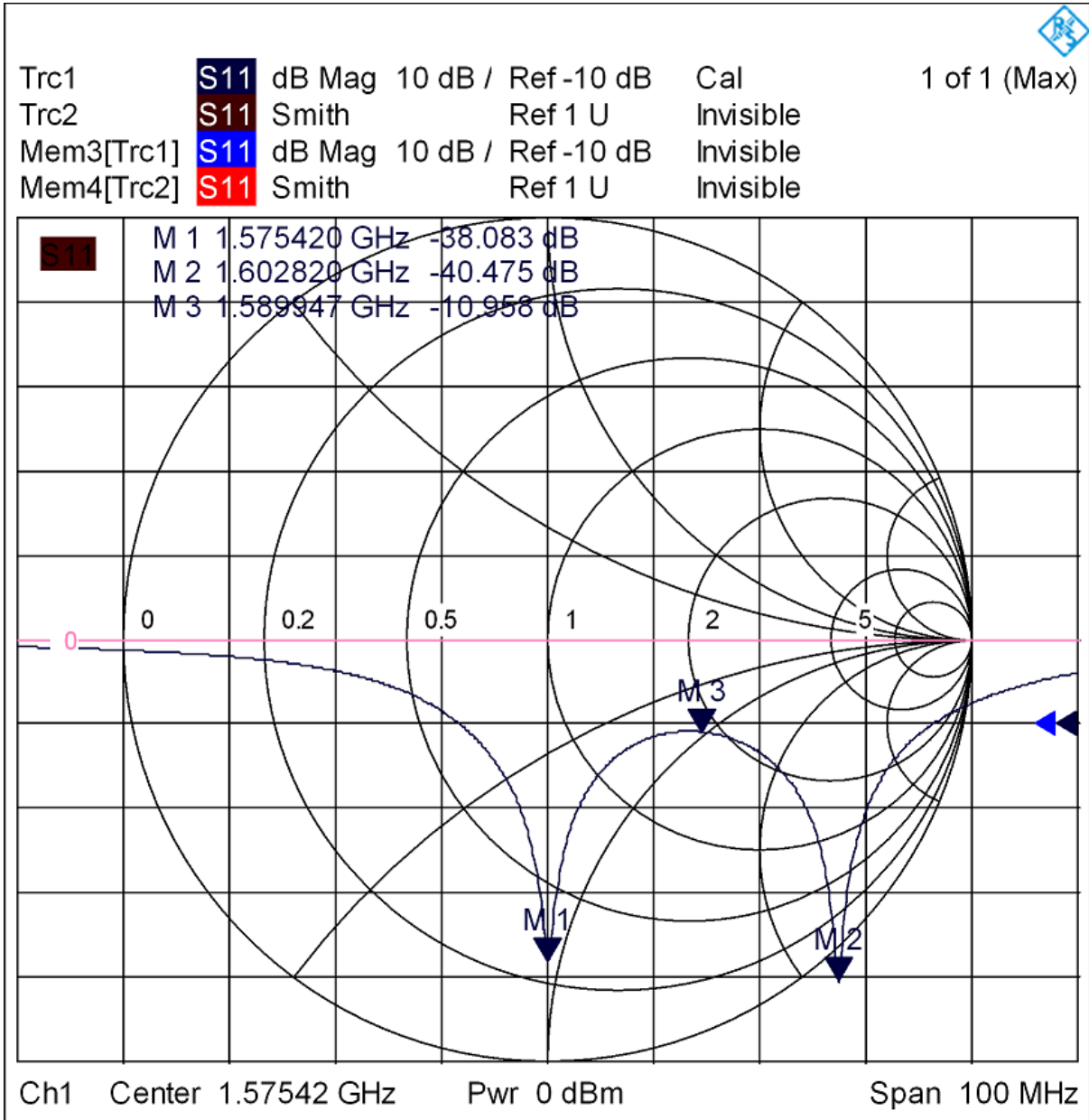


Fig. 3 Return loss

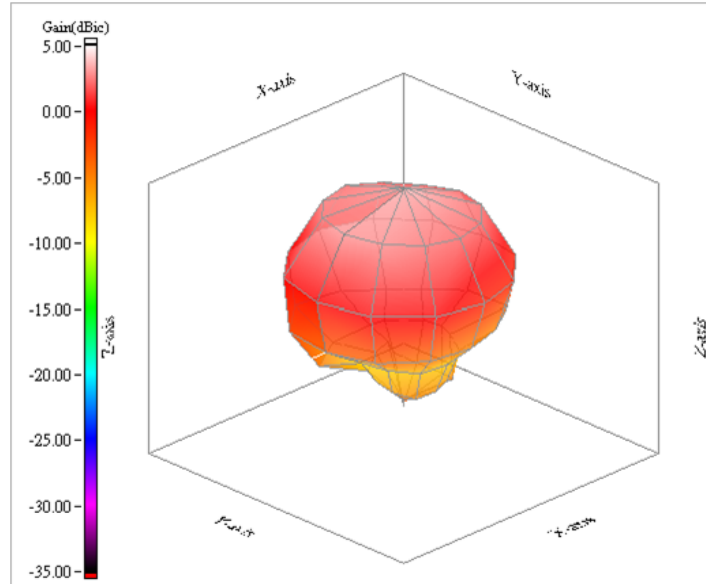


Fig. 4 Radiation Pattern (Frequency = 1575MHz)

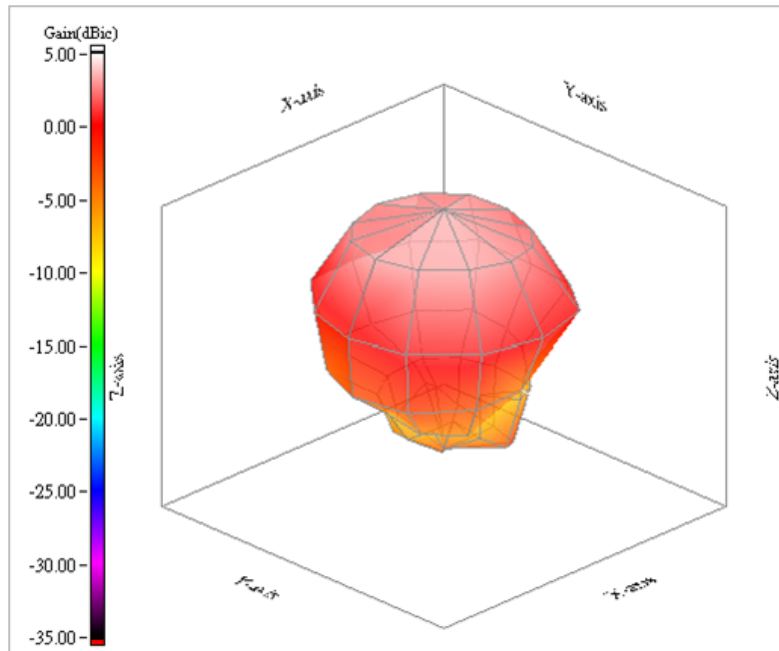


Fig 5 Radiation Pattern (Frequency = 1602MHz)

REVISION HISTORY

REVISION	DATE	CHANGE NOTIFICATION	DESCRIPTION
Version 0	Dec. 11, 2013	-	- New data sheet for GPS&GLONASS Patch antenna, PIN Feed size 25*25*4 mm

# Mouser Electronics

Authorized Distributor

Click to View Pricing, Inventory, Delivery & Lifecycle Information:

Yageo:

[ANT2525B00DT1516A](#)