

P.C.B LAYOUT

Specifications:
 规格:
 Voltage rating:600V AC/DC
 额定电压: 300V AC/DC
 Current rating:9A AC/DC
 额定电流: 9A AC/DC
 Withstanding voltage:1500V AC/minute
 耐受电压: 1500V AC/分钟
 Temperature range:-25℃~+85℃
 温度范围: -25℃~+85℃
 Insulation resistance:≥1000MΩ
 绝缘电阻: ≥1000MΩ
 Contact resistance:≤10mΩ
 接触电阻: ≤10mΩ XKB
 After environmental testing:≤20mΩ
 环境测试后: ≤20兆欧

X9357 W V X-XX X-XX SN XX

- 01 Series No.
- 02 Category:W-wafer
- 03 Welding Board Angle: V-180°
- 04 Welding Way: Blank-DIP;
- 05 Row No.-Pin No.: XX-Single row
- 06 Special NO.HF-Halogen free
Material:NO-PA66 94V-0;
N2-PA66 94V-2
- 08 Planting Category:
V01:All Gold Flash;
SN-Bright tin plating
- 09 Color:Blank-natural color ;
BK-Black

Poles	Dimensions(mm)	
	A	B
02	4.20	9.60
03	8.40	13.80
04	12.60	18.00
05	16.80	22.20
06	21.00	26.40

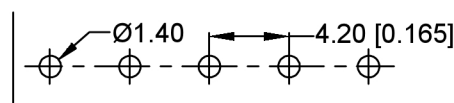
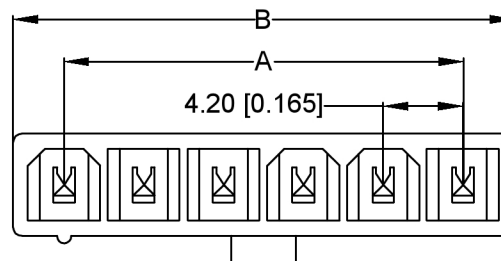
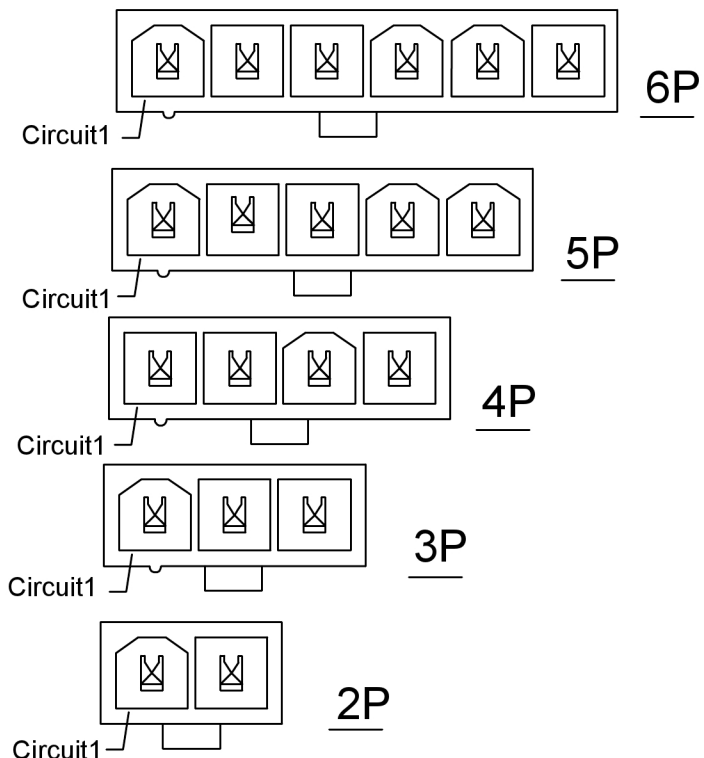
X9357WV-XXHF-N2SN	Nylon 66 UL 94V-2	Brass	Tin-Plated	X9357H
X9357WV-XX-N0V01	Nylon 66 UL 94V-0		Gold -Flash	
X9357WV-XX-N0SN	Nylon 66 UL 94V-0		Tin-Plated	
X9357WV-XX-N2V01	Nylon 66 UL 94V-2		Gold -Flash	
X9357WV-XX-N2SN	Nylon 66 UL 94V-2		Tin-Plated	
PART NO	Material		Material(Pin)	

广东星坤科技股份有限公司

MARK	DESCRIPTION	DATE	REVISED	APPROVED	ANGLAR	±5°
Δ建					L ≤ 4	±0.2
Δ效					4 < L ≤ 16	±0.3
ΔX					16 < L ≤ 63	±0.4
					L > 63	±0.5
REVISIONS					UNSPECIFIED TOLERANCES	



DSND		SCALE: N/A	MODEL TYPE: 4.2mm Crimp Style Connector
DWN		VIEW:	PART NO.: X9357WV-XX-XXSN
CHKD		UNIT: mm/in	DWG NO.: X-X9357WV-XX-XXSN
APPD		SIZE: A4	
KKB INDUSTRIAL PRECISION CO.,LIMITED			WEIGHT SHEET REVISION 1/1 A0



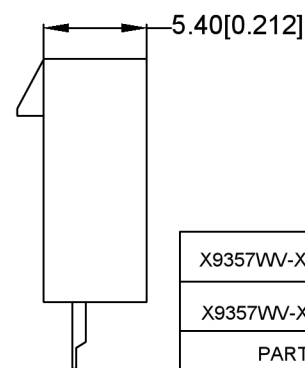
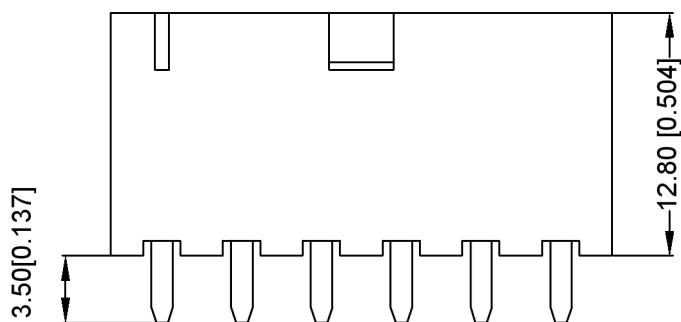
Recommad PCB Layout

Specifications:

规格:
Voltage rating:600V AC/DC
 额定电压: 600V AC/DC
Current rating:9A AC/DC
 额定电流: 9A AC/DC
Withstanding voltage:1500V AC/minute
 耐受电压: 1500V AC/分钟
Temperature range:-25°C~+85°C
 温度范围: -25°C~+85°C
Insulation resistance:≥1000MΩ
 绝缘电阻: ≥100MΩ
Contact resistance:≤10mΩ
 接触电阻: ≤10mΩ XKB
After environmental testing:≤20mΩ
 环境测试后: ≤20兆欧

X9357 W R X-XX HN-XX SN XX
 01 02 03 04 05 06 07 08 09

- 01 Series No.
- 02 Category: W-wafer
- 03 Welding Board Angle: V-180°
- 04 Welding Way: Blank-DIP;
- 05 Row No.-Pin No
XX-Single row
- 06 Special NO.
HN-The hollow needke
- 07 Material:
NO-PA66 94V-0;N2-PA66 94V-2
- 08 Planting Category: V:Al Gold-Plated
G:Gold-Plated Contact
S-Silver Plating
*01-Gold Flash;*02-2u";*03-3u";*05-5u"10-10u"
*15-15u";*30-30u";*50-50u"
N-Plating Nickel 30-50u";SN-Bright tin plating 70u" SW-Fog Tin plating
- 09 Color:
Blank-natural color



Poles	Dimensions(mm)	
	A	B
02	4.20	9.60
03	8.40	13.80
04	12.60	18.00
05	16.80	22.20
06	21.00	26.40

X9357WV-XXHN-N0SN	Nylon 66 UL 94V-0	Brass	Tin-Plated	X9357H
X9357WV-XXHN-N2SN	Nylon 66 UL 94V-2	Brass	Tin-Plated	X9357H
PART NO	Material	Material(Pin)	Finish(Pin)	Suitable XKB Terminal

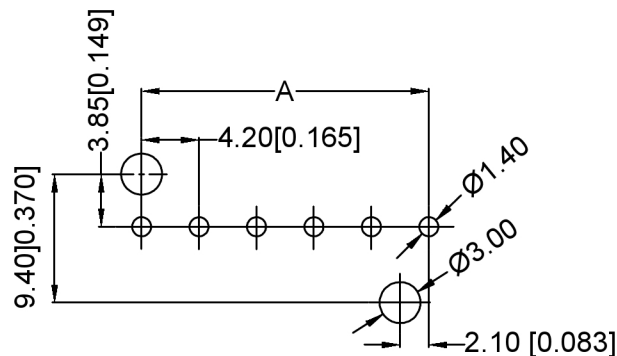
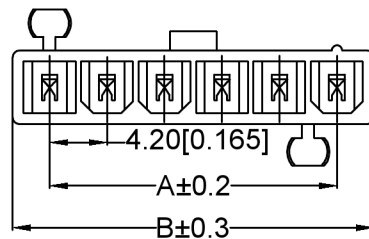
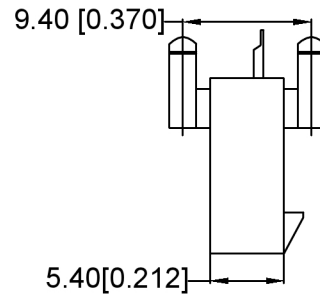
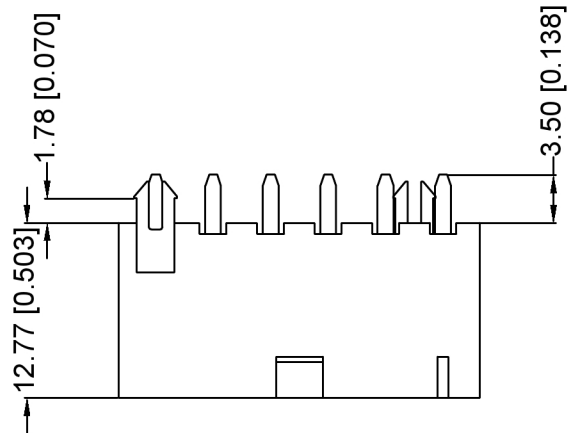
广东星坤科技股份有限公司

文件工程章

MARK	DESCRIPTION	DATE	REVISED	APPROVED	ANGLAR	±5°
Δ#					L ≤ 4	±0.2
ΔX					4 < L ≤ 16	±0.3
Δ*					16 < L ≤ 63	±0.4
					L > 63	±0.5
					UNSPECIFIED TOLERANCES	



DSND		SCALE: N/A	MODEL TYPE: 4.2mm Crimp Style Connector		
DWN		VIEW:	PART NO.: X9357WV-XXHN-N2SN		
CHKD		UNIT: mm/in	DWG NO.: X9357WV-XXHN-N2SN		
APPD		SIZE: A4	WEIGHT	SHEET	REVISION
XKB INDUSTRIAL PRECISION CO., LIMITED				1/1	A0



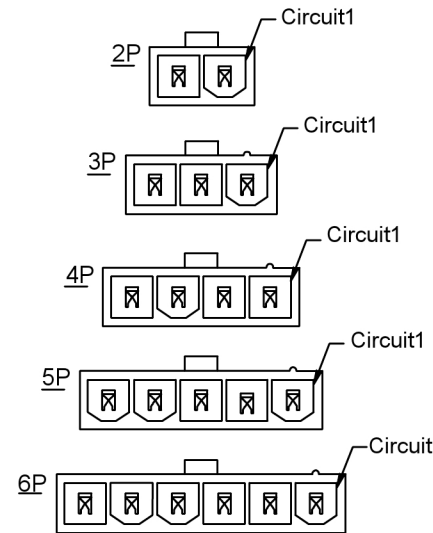
Recommended P.C.B Layout
General Tolerance±0.05

Specifications:

规格:
Voltage rating:600V AC/DC
 额定电压: 600V AC/DC
Current rating:9A AC/DC
 额定电流: 9A AC/DC
Withstanding voltage:1500V AC/minute
 耐受电压: 1500V AC/分钟
Temperature range:-25°C~+85°C
 温度范围: -25°C~+85°C
Insulation resistance:≥1000MΩ
 绝缘电阻: ≥1000MΩ
Contact resistance:≤10mΩ
 接触电阻: ≤10mΩ
After environmental testing:≤20mΩ
 环境测试后: ≤20兆欧

X9357 WV X-XX FS-XX SN XX
 ① ② ③ ④ ⑤ ⑥ ⑦ ⑧ ⑨

- 01 Series No.
- 02 Category: W-wafer
- 03 Welding Board Angle: V-Straight 180°
- 04 Welding Way: Blank-DIP;
- 05 Row No.-Pin No
XX-02P-06P
- 06 Plug the Pin&Special No:
FS-The hollow needle with positioning column
- 07 Material:
NO-PA66 94V-0;N0-PA66-94V-0
N2-PA66 94V-2
- 08 Plant Category: SN-Bright tin plating
- 09 Color : Blank-natural color



Poles	Dimensions(mm)	
	A	B
02	4.20	9.60
03	8.40	13.80
04	12.60	18.00
05	16.80	22.20
06	21.00	26.40

X9357WV-XXFS-46SN	Nylon 46 UL 94V-0	Brass	Tin-Plated	X9357H
X9357WV-XXFS-N0SN	Nylon 66 UL 94V-0			
X9357WV-XXFS-N2SN	Nylon 66 UL 94V-2			
PART NO	Material	Material(Pin)	Finish(Pin)	Suitable XKB Terminal

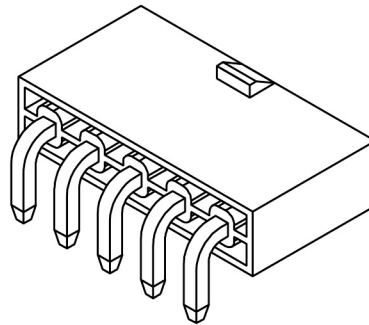
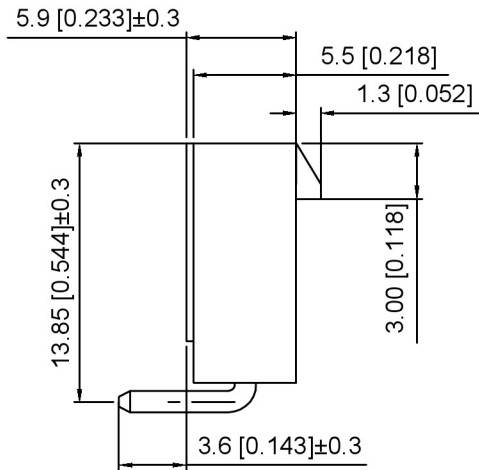
广东星坤科技股份有限公司

MARK	DESCRIPTION	DATE	REVISED	APPROVED	ANGLAR	±5°
Δ建					L ≤ 4	±0.2
Δ改					4 < L ≤ 16	±0.3
ΔX					16 < L ≤ 63	±0.4
					L > 63	±0.5
					UNSPECIFIED TOLERANCES	

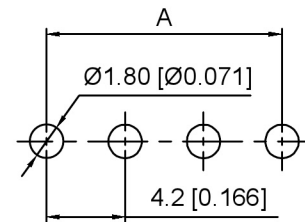
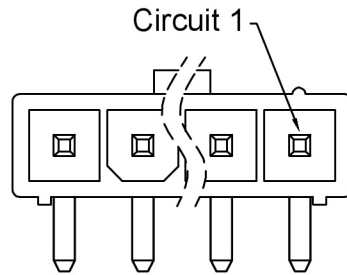
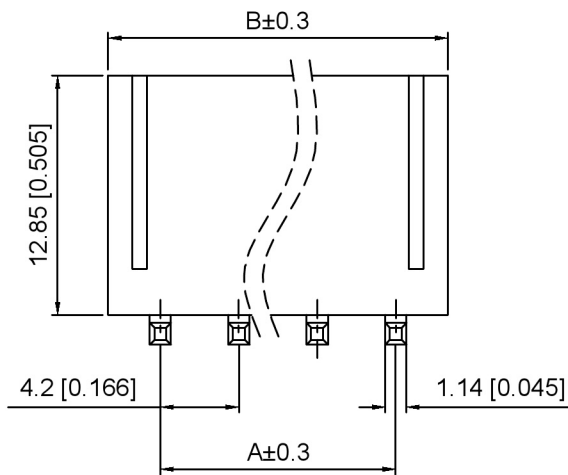


DSND		SCALE: N/A	MODEL TYPE: 4.2mm Crimp Style Connector
DWN		VIEW:	PART NO.: X9357WV-XXFS-XXSN
CHKD		UNIT: mm/in	DWG NO.: X9357WV-XXFS-XXSN
APPD		SIZE: A4	
KXB INDUSTRIAL PRECISION CO., LIMITED			WEIGHT
			SHEET
			REVISION
			1/1
			A0

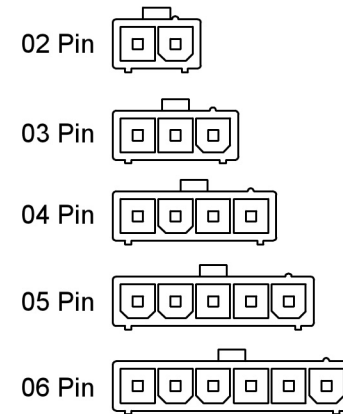
文件工程章



Specifications:
 规格:
 Voltage rating:600V AC/DC
 额定电压: 600V AC/DC
 Current rating:7A AC/DC
 额定电流: 7A AC/DC
 Withstanding voltage:1500V AC/minute
 耐受电压: 1500V AC/分钟
 Temperature range:-25°C~+85°C
 温度范围: -25°C~+85°C
 Insulation resistance:1000MΩ min
 绝缘电阻: 1000MΩ Min
 Contact resistance:20mΩ Max
 接触电阻: 20mΩ Max



PCB Layout



Circuit size Layout

X9357 W R - XX - N2 SN
 ① ② ③ ④ ⑤ ⑥

1. Series No
2. Category:W-Wafer
3. Welding Board Angle:R-Stright 90°
4. Row No. Pin No:XX-02~06P
5. Material:N0-PA66 UL94V-0 ; N2-PA66 UL94V-2
6. Plating:SN-Tin Plated

Poles	Dimensions(mm)	
	A	B
02	4.20	9.80
03	8.40	14.00
04	12.60	18.20
05	16.80	22.40
06	21.00	26.60

X9357WR-XX-N2SN	PA66	Brass	X9357HM
PART NO	Material	Material(Pin)	Suitable XKB Housing

广东星坤科技股份有限公司

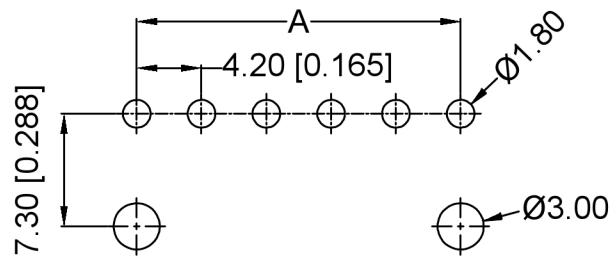
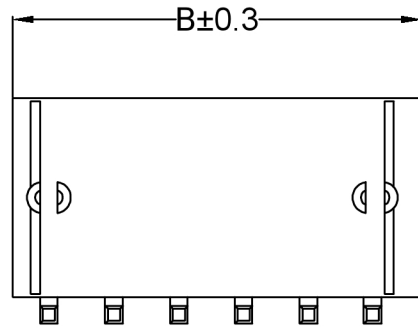
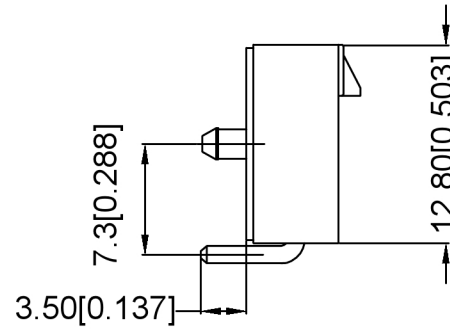
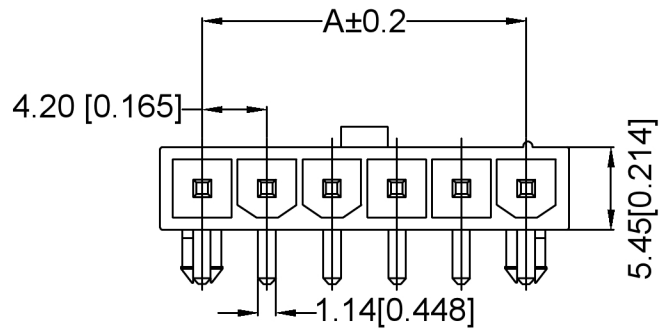
文件工程章

MARK	DESCRIPTION	DATE	REVISED	APPROVED	UNSPECIFIED TOLERANCES
Δ#					ANGLAR ±5°
ΔX					L ≤ 4 ±0.2
Δ效					4 < L ≤ 16 ±0.3
					16 < L ≤ 63 ±0.4
					L > 63 ±0.5

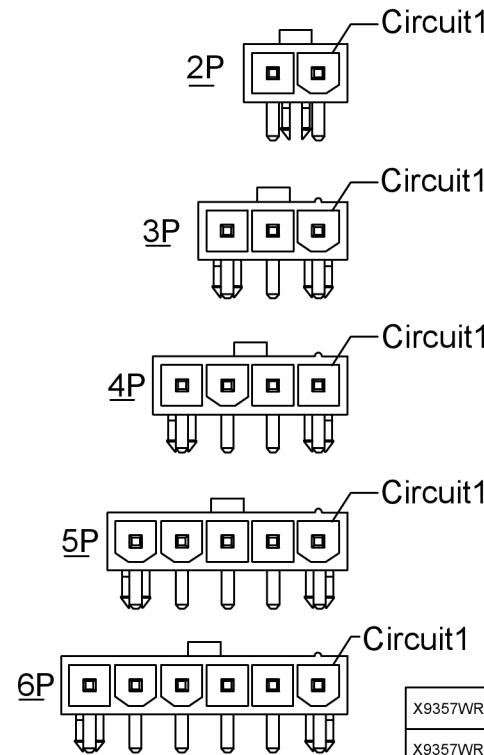


XKB INDUSTRIAL PRECISION CO., LIMITED

DSND	SCALE: N/A	MODEL TYPE: 4.2mm Crimp Style Connector
DWN	VIEW:	PART NO.: X9357WR-XX-N2SN
CHKD	UNIT: mm/in	DWG NO.: X-X9357WR-XX-N2SN
APPD	SIZE: A4	WEIGHT SHEET REVISION 1/1 A0



Recommended P.C.B Layout
General Tolerance±0.05



Specifications:
规格:
Voltage rating:600V AC/DC
额定电压: 600V AC/DC
Current rating:9A AC/DC
额定电流: 9A AC/DC
Withstanding voltage:1500V AC/minute
耐受电压: 1500V AC/分钟
Temperature range:-25℃~+85℃
温度范围: -25℃~+85℃
Insulation resistance:≥1000MΩ
绝缘电阻: ≥1000MΩ
Contact resistance:≤10mΩ
接触电阻: ≤10mΩ
After environmental testing:≤20mΩ
环境测试后: ≤20兆欧

X9357 W R X-XX S-XXSNXX
① ② ③ ④ ⑤ ⑥ ⑦ ⑧ ⑨

- 01 Series No.
- 02 Category:W-wafer
- 03 Welding Board Angle: R-Right Angle 90'
- 04 Welding Way: Blank-DIP;
- 05 Row No.-Pin No.: XX-Single row
- 06 Special NO.: S-With positioning column
- 07 Material:N0-PA66 94V-0;
N2-PA66 94V-2
- 08 Planting Category: SN-Bright tin plating
- 09 Color:E Blank-natural color ;BK-Black

Poles	Dimensions(mm)	
	A	B
02	4.20	9.60
03	8.40	13.80
04	12.60	18.00
05	16.80	22.20
06	21.00	26.40

X9357WR-XXS-N2SNBK	Nylon 66 UL94V-2 (Black)	Brass	Tin-Plated	X9357H
X9357WR-XXS-N0SN	Nylon 66 UL 94V-0			
X9357WR-XXS-N2SN	Nylon 66 UL 94V-2			
PART NO	Material	Material(Pin)	Finish(Pin)	Suitable XKB Terminal

广东星坤科技股份有限公司

Δ建	日期
Δ改	
Δ修	
Δ查	

MARK \ DESCRIPTION DATE REVISED APPROVED

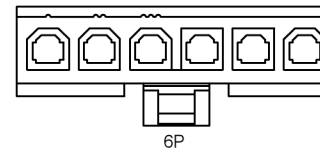
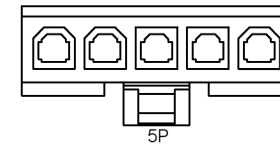
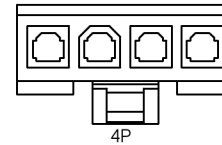
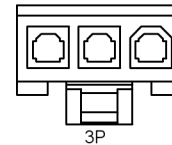
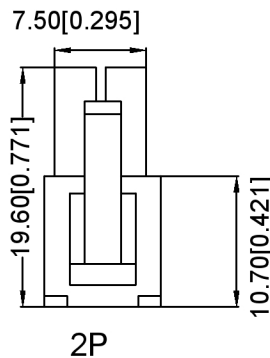
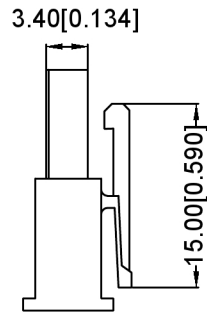
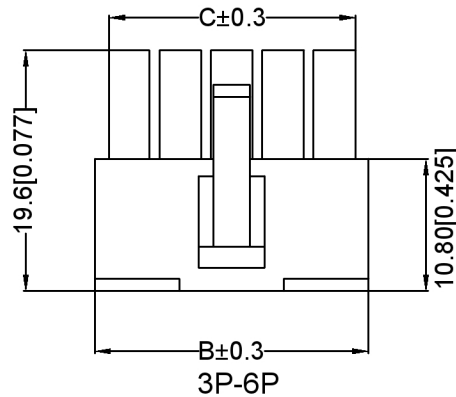
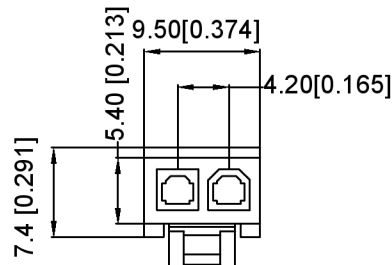
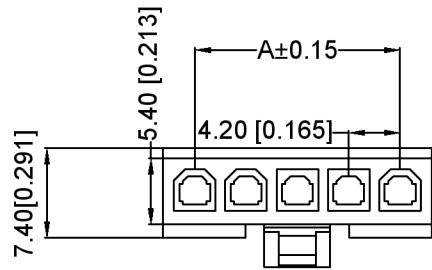
REVISIONS	UNSPECIFIED TOLERANCES
ANGLAR ±5°	
L ≤ 4 ±0.2	
4 < L ≤ 16 ±0.3	
16 < L ≤ 63 ±0.4	
L > 63 ±0.5	



DSND	SCALE: N/A	MODEL TYPE: 4.2mm Crimp Style Connector
DWN	VIEW:	PART NO.: X9357WR-XXS-N0SN
CHKD	UNIT: mm/in	DWG NO.: X-X9357WR-XXS-N0SN
APPD	SIZE: A4	

XKB INDUSTRIAL PRECISION CO., LIMITED

WEIGHT	SHEET	REVISION
	1/1	A0



Specifications:

规格:
Voltage rating:600V AC/DC
额定电压: 600V AC/DC
Current rating:9A AC/DC
额定电流: 9A AC/DC
Withstanding voltage:1500V AC/minute
耐受电压: 1500V AC/分钟
Temperature range:-25°C~+85°C
温度范围: -25°C~+85°C
Insulation resistance:≥1000MΩ
绝缘电阻: ≥100MΩ
Contact resistance:≤10mΩ
接触电阻: ≤10mΩ
After environmental testing:≤20mΩ
环境测试后: ≤20兆欧

X9357 H M -XX -XX XX XX
 ① ② ③ ④ ⑤ ⑥ ⑦

01 Series No.
 02 Category:H-HSG
 03 Welding Board Angle:M-Male housing
 04 RowNo.-PinNo.:XX-02P~16P
 05 Plug the Pin & special No.:
 06 Material:N0-PA66 94V-0:N2-PA66 94V-2
 07 Color:Blank-Natural Color

Poles	Dimensions(mm)		
	A	B	C
02	4.20	9.60	7.50
03	8.40	13.80	11.60
04	12.60	18.00	15.80
05	16.80	22.20	20.20
06	21.00	26.40	24.10

X9357HM-XX-N2	Nylon 66 94V-2	X9357TF	X9357W Or 9357H
X9357HM-XX-N0	Nylon 66 94V-0		
PART NO	Material	Suitable XKB Terminal	Suitable XKB Terminal

广东星坤科技股份有限公司

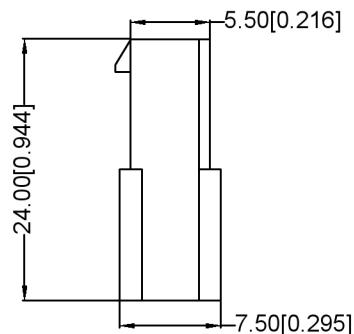
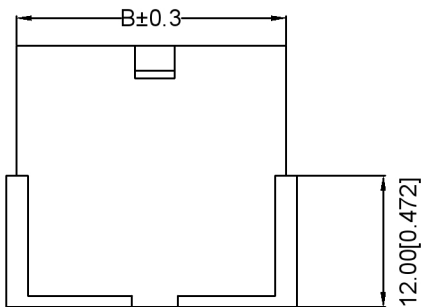
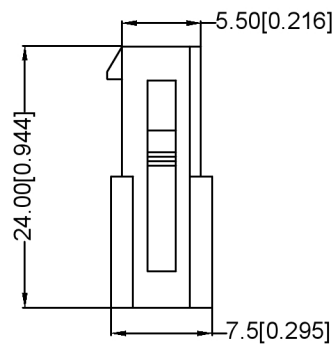
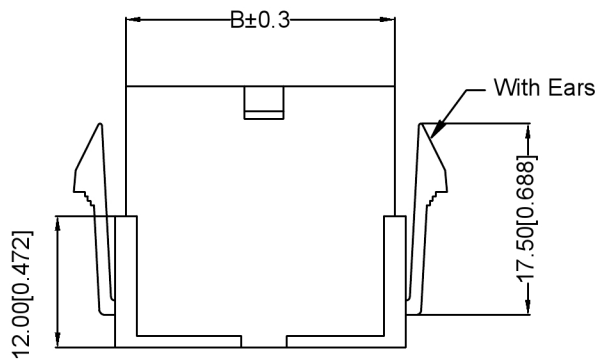
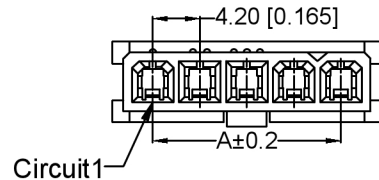
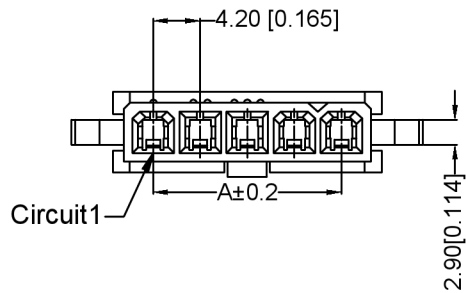
MARK	DESCRIPTION	DATE	REVISED	APPROVED
Δ*				
Δx				
Δ效				

REVISIONS	UNSPECIFIED TOLERANCES
ANGLAR ±5°	
L ≤ 4 ±0.2	
4 < L ≤ 16 ±0.3	
16 < L ≤ 63 ±0.4	
L > 63 ±0.5	



DSND	SCALE: N/A	MODEL TYPE: 4.2mm Crimp Style Connector
DWN	VIEW:	PART NO.: X9357HM-XX-N2
CHKD	UNIT: mm/in	DWG NO.: X-X9357HM-XX-N2
APPD	SIZE: A4	

文件工程章



Specifications:

规格:
 Voltage rating:600V AC/DC
 额定电压: 600V AC/DC
 Current rating:9A AC/DC
 额定电流: 9A AC/DC
 Withstanding voltage:1500V AC/minute
 耐受电压: 1500V AC/分钟
 Temperature range:-25°C-+85°C
 温度范围: -25°C-+85°C
 Insulation resistance:≥1000MΩ
 绝缘电阻: ≥100MΩ
 Contact resistance:≤10mΩ
 接触电阻: ≤10mΩ
 After environmental testing:≤20mΩ
 环境测试后: ≤20兆欧

X9357 H F -XX X-XX XX
 01 02 03 04 05 06 07

- 01 Series No.
- 02 Category:H-HSG
- 03 Welding Board Angle:
M-Male housing
- 04 Row No.-Pin No.:XX-02P~16P
- 05 Plug the Pin & special No.:
I-Without the Wing G-With the Wing
- 06 Material:N0-PA66 94V-0
N2-PA66 94V-2
- 07 Color:Blank-Natural Color

Poles	Dimensions(mm)		Poles	Dimensions(mm)	
	A	B		A	B
02	4.20	9.80	08	29.40	35.00
03	8.40	14.00	09	33.60	39.20
04	12.60	18.20	10	37.80	43.40
05	16.80	22.40	11	42.00	47.60
06	21.00	26.60	12	46.20	51.80
07	25.20	30.80			

X9357HF-XXG-N2	Nylon 66 94V-2	X9357TM	X9357W Or 9357H	With Ears
X9357HF-XXI-N2	Nylon 66 94V-2			Without Ears
X9357HF-XXG-N0	Nylon 66 94V-0			With Ears
X9357HF-XXI-N0	Nylon 66 94V-0			Without Ears
PART NO	Material	Suitable XKB Terminal	Suitable XKB Terminal	Note

广东星坤科技股份有限公司

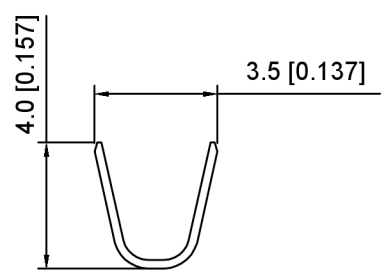
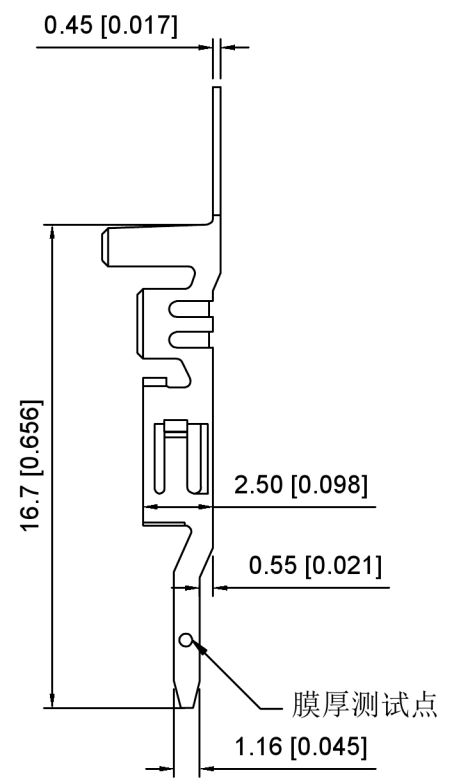
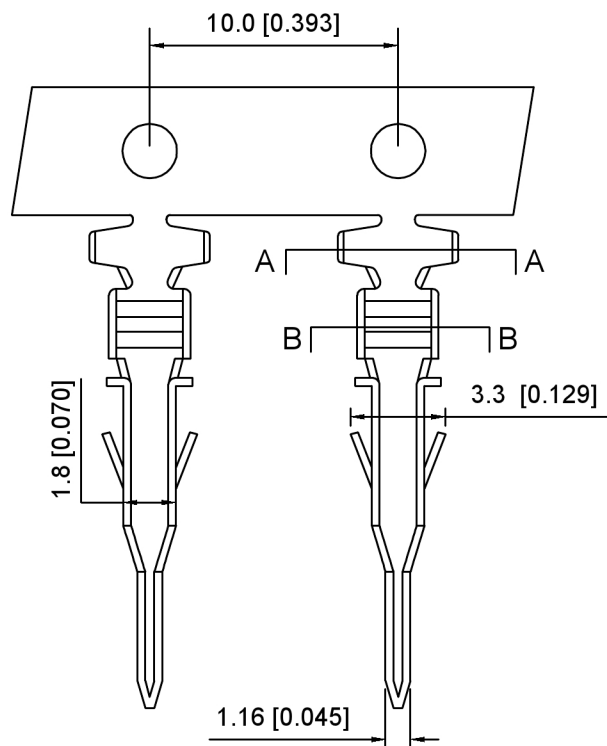
MARK	DESCRIPTION	DATE	REVISED	APPROVED
Δ建				
Δ数				
ΔX				

文件工程章

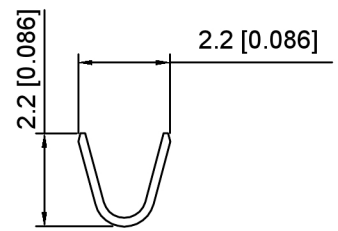
REVISIONS	UNSPECIFIED TOLERANCES
ANGULAR ±5°	
L ≤ 4 ±0.2	
4 < L ≤ 16 ±0.3	
16 < L ≤ 63 ±0.4	
L > 63 ±0.5	



DSND	SCALE: N/A	MODEL TYPE: 4.2mm Crimp Style Connector
DWN	VIEW:	PART NO.: X9357HF-XXG-N2
CHKD	UNIT: mm/in	DWG NO.: X-X9357HF-XXG-N2
APPD	SIZE: A4	WEIGHT SHEET REVISION
XKB INDUSTRIAL PRECISION CO., LIMITED		1/1 A0



A-A



B-B

Specifications:
 规格:
 Voltage rating: 250V AC/DC
 额定电压: 250V AC/DC
 Current rating: 7A AC/DC
 额定电流: 7A AC/DC
 Withstanding voltage: 500V AC/minute
 耐受电压: 500V AC/分钟
 Temperature range: -25°C~+85°C
 温度范围: -40°C~+105°C
 Insulation resistance: 1000MΩ min
 绝缘电阻: 1000MΩ Min
 Contact resistance: 20mΩ Max
 接触电阻: 20mΩ Max

X9357 T M - B SN -X
 ① ② ③ ④ ⑤ ⑥

1. Series No
2. Category: T-Terminal
3. Category: M-Male Terminal
4. Material: B-Brass
5. Plating: SN-Tin Plated
6. Special No: Blank-Low Feet
H-High Feet

X9357TM-BSN	Brass	AWG#18~22	X9635HF
X9357TM-BSN-H		AWG#16~22	
PART NO	Material	Wrie Range	Suitable XKB Housing

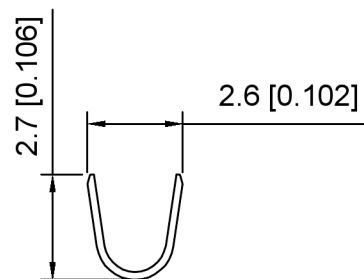
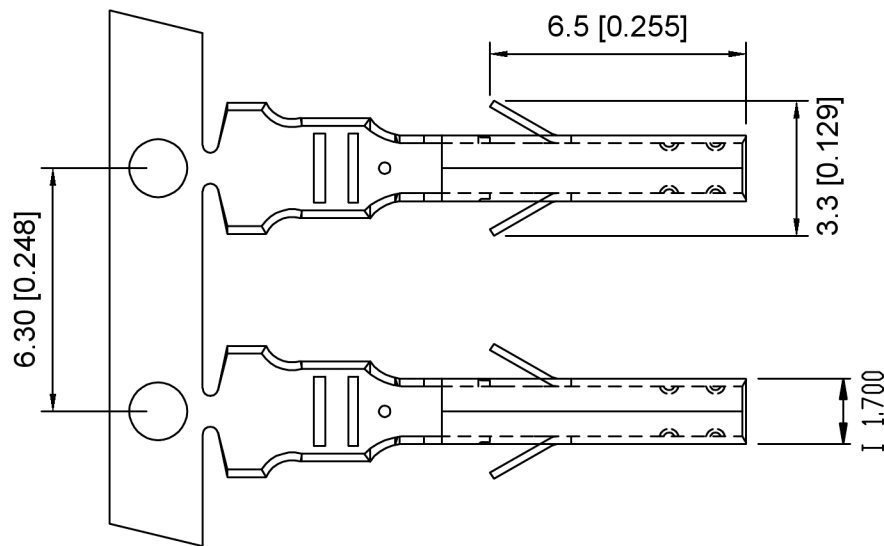
广东星坤科技股份有限公司

ANGLAR	±5°
L ≤ 4	±0.2
4 < L ≤ 16	±0.3
16 < L ≤ 63	±0.4
L > 63	±0.5
UNSPECIFIED TOLERANCES	

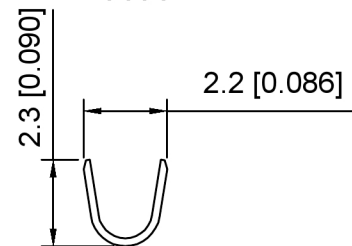


DSND		SCALE: N/A	MODEL TYPE: 4.2mm Crimp Style Connector
DWN		VIEW:	PART NO.: X9357TM-BSN
CHKD		UNIT: mm/in	DWG NO.: X-X9357TM-BSN
APPD		SIZE: A4	
XKB INDUSTRIAL PRECISION CO., LIMITED			WEIGHT
			SHEET
			REVISION
			1/1
			A0

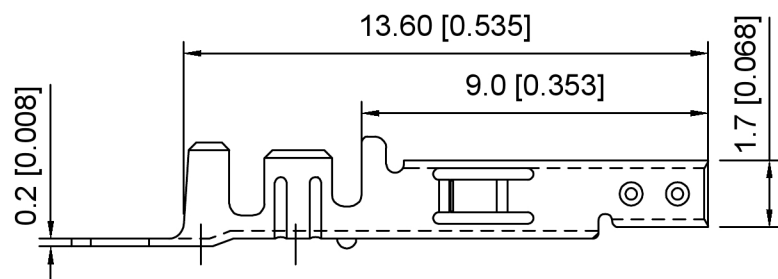
MARK	DESCRIPTION	DATE	REVISED	APPROVED
Δ#				
Δ#				
Δ#				



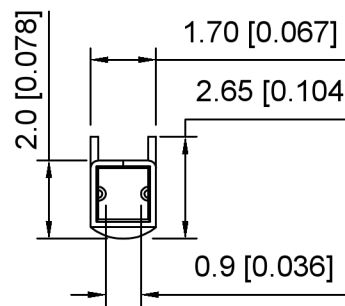
A-A



B-B



A-A B-B



Specifications:

规格:

Voltage rating:600V AC/DC

额定电压: 600V AC/DC

Current rating:9A AC/DC

额定电流: 9A AC/DC

Withstanding voltage:1500V AC/minute

耐受电压: 1500V AC/分钟

Temperature range:-25°C-+85°C

温度范围: -25°C-+85°C

Insulation resistance:1000MΩ min

绝缘电阻: 1000MΩ Min

Contact resistance:10mΩ Max

接触电阻: 10mΩ Max

X9357 T F - B SN - M
 ① ② ③ ④ ⑤ ⑥

1.Series No

2.Category:T-Terminal

3.Category:F-Female Terminal

4.Material:B-Brass

5.Plating:SN-Tin Plated

6.Special No:M-Lower the foot

X9357TF-BSN-M	Brass	AWG#20	X9357H
PART NO	Material	Wire Range	Suitable XKB Housing

广东星坤科技股份有限公司

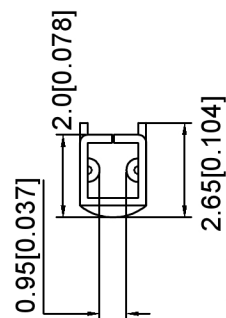
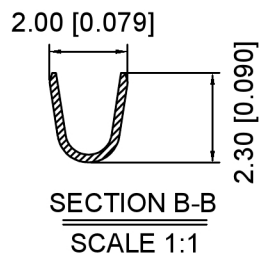
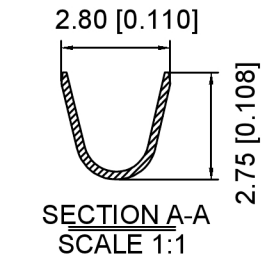
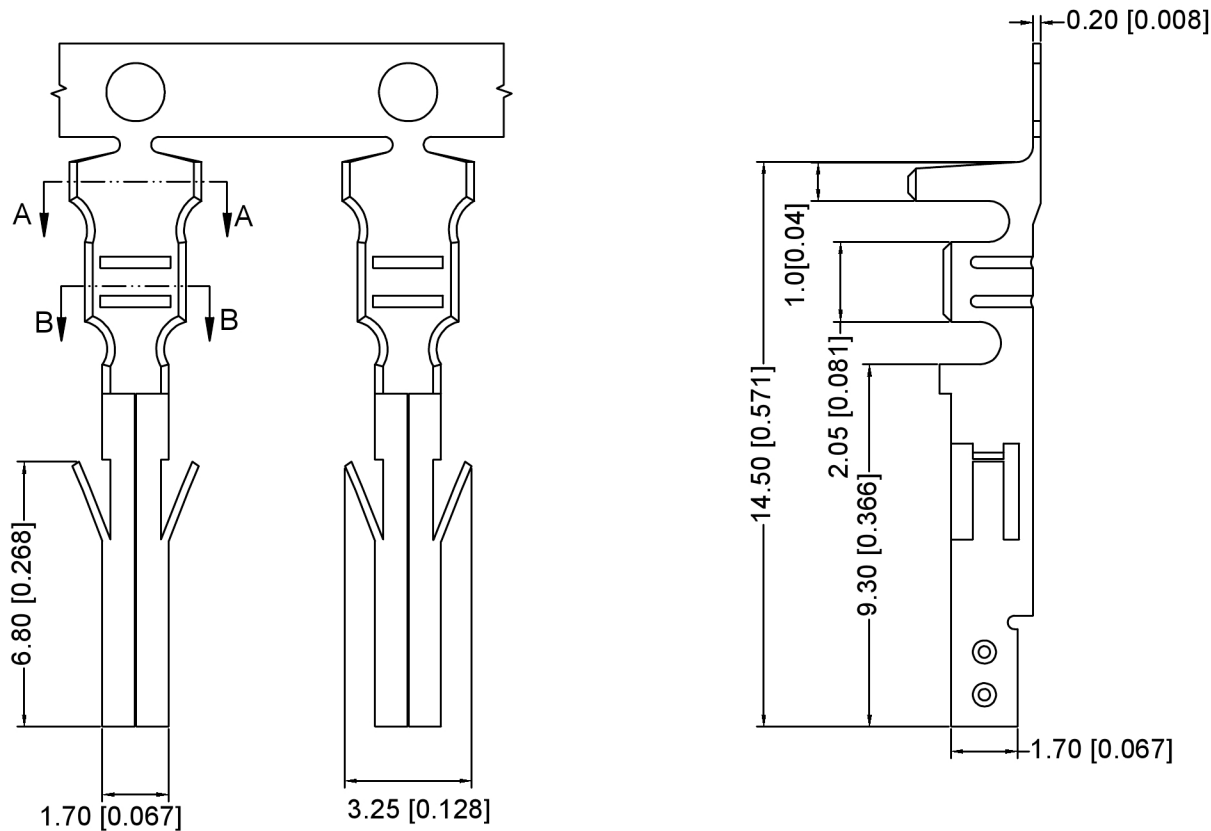
Δ建	日期
Δ改	日期
ΔX	

文件工程章

DESCRIPTION	DATE	REVISED	APPROVED	ANGLAR	±5°
REVISIONS				L ≤ 4	±0.2
				4 < L ≤ 16	±0.3
				16 < L ≤ 63	±0.4
				L > 63	±0.5
				UNSPECIFIED TOLERANCES	



DSND	SCALE: N/A	MODEL TYPE: 4.2mm Crimp Style Connector
DWN	VIEW:	PART NO.: X9357TF-BSN-M
CHKD	UNIT: mm/in	DWG NO.: X-X9357TF-BSN-M
APPD	SIZE: A4	
XKB INDUSTRIAL PRECISION CO., LIMITED		WEIGHT
		SHEET
		REVISION
		1/1
		A0



Specifications:

规格:

Voltage rating:600V AC/DC

额定电压: 600V AC/DC

Current rating:9A AC/DC

额定电流: 9A AC/DC

Withstanding voltage:1500V AC/minute

耐受电压: 1500V AC/分钟

Temperature range:-25℃-+85℃

温度范围: -25℃-+85℃

Insulation resistance:≥1000MΩ

绝缘电阻: ≥1000MΩ

Contact resistance:≤10mΩ

接触电阻: ≤10mΩ

After environmental testing:≤20mΩ

环境测试后: ≤20兆欧

X9357 T F-X SN X-L

① ②③ ④ ⑤ ⑥⑦

1 Series Number

2 Category: T-terminal

3 Shape:F-Female

4 Material:B-Brass;P-Phosphor Bronze

5 Plating style: SN-Bright tin plating

6 Plating method:

Blank-Stamping before plating;

7Special No: L-Normal Leads

X9357TF-PSN-L	Phospher Bronze	AWG#18-24	12.10mm(Max)	Stamping Before Plating :30u" MIN. Ni/0u"Sn MIN	X9357HM
X9357TF-BSN-L	Brass				
PART NO	Material	Wire Range	Insulation O.D.	Finish	Suitable X KB

广东星坤科技股份有限公司

Δ	日期
Δ	日期
Δ	日期

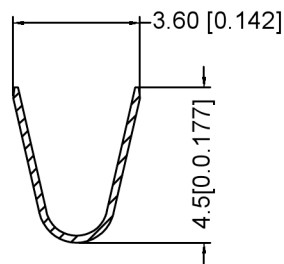
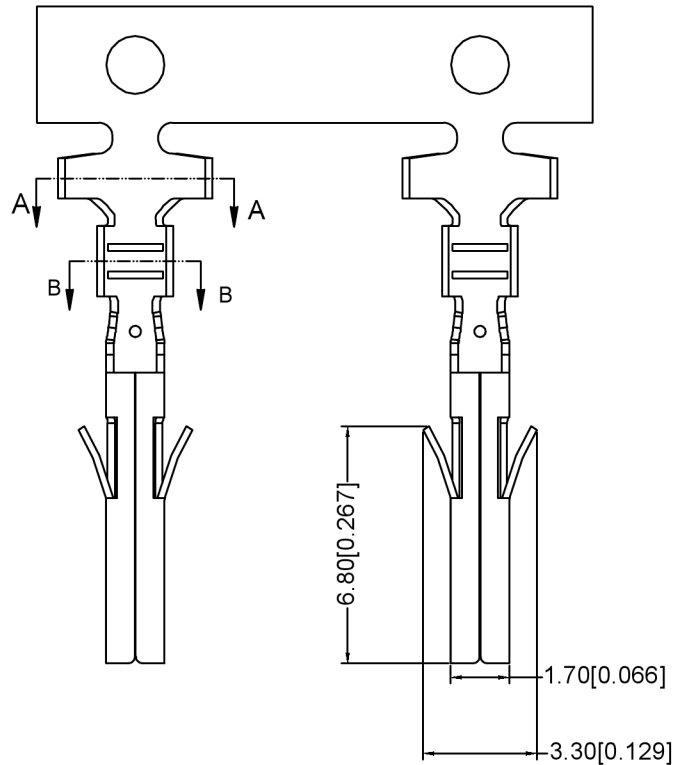
文件工程章

MARK	DESCRIPTION	DATE	REVISED	APPROVED	ANGLAR	±5°
					L ≤ 4	±0.2
					4 < L ≤ 16	±0.3
					16 < L ≤ 63	±0.4
					L > 63	±0.5
					UNSPECIFIED TOLERANCES	

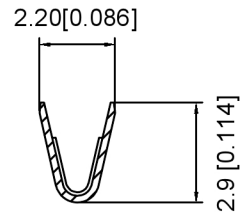


DSND	SCALE: N/A	MODEL TYPE: 4.2mm Crimp Style Connector
DWN	VIEW:	PART NO.: X9357TF-BSN-L
CHKD	UNIT: mm/in	DWG NO.: X9357TF-BSN-L
APPD	SIZE: A4	WEIGHT
		SHEET
		REVISION
		1/1
		A0

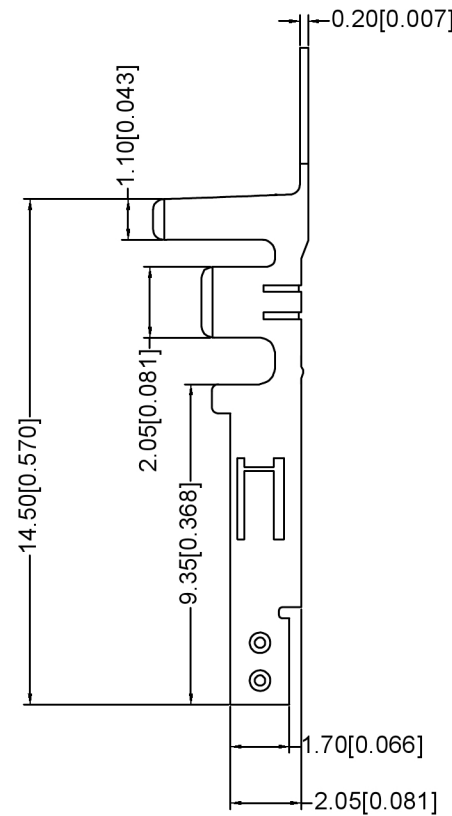
XKB INDUSTRIAL PRECISION CO., LIMITED



A-A



B-B



Specifications:

规格:

Voltage rating: 600V AC/DC

额定电压: 600V AC/DC

Current rating: 9A AC/DC

额定电流: 9A AC/DC

Withstanding voltage: 1500V AC/minute

耐受电压: 1500V AC/分钟

Temperature range: -25°C-+85°C

温度范围: -25°C-+85°C

Insulation resistance: ≥1000MΩ

绝缘电阻: ≥1000MΩ

Contact resistance: ≤10mΩ

接触电阻: ≤10mΩ

After environmental testing: ≤20mΩ

环境测试后: ≤20兆欧

X9357 T F -X SN X-H
01 02 03 04 05 06 07

01 Series Number

02 Category: T-terminal

03 Shape: F-Female

04 Material: B-Brass; P-Phosphor Bronze

05 Plating style: SN-Bright tin plating

06 Plating method:

Blank-Stamping before plating;

07 Special No: H-High Leads

X9357TF-PSN-H	Phosphor Bronze	AWG#16-24	3.10mm(Max)	Stamping Before Plating :30u" MIN.	X9357HM
X9357TF-BSN-H	Brass			Ni70u"Sn MIN.	
PART NO	Material	Wire Range	Insulation O.D	Finish	Suitable XKB

广东星坤科技股份有限公司

姓名	日期
数量	日期
MARK	DESCRIPTION
文件	工程章

ANGULAR	±5°
L ≤ 4	±0.2
4 < L ≤ 16	±0.3
16 < L ≤ 63	±0.4
L > 63	±0.5
UNSPECIFIED TOLERANCES	



DSND	SCALE: N/A	MODEL TYPE: 4.2mm Crimp Style Connector
DWN	VIEW:	PART NO.: X9357TF-BSN-H
CHKD	UNIT: mm/in	DWG NO.: X-X9357TF-BSN-H
APPD	SIZE: A4	WEIGHT SHEET REVISION
XKB INDUSTRIAL PRECISION CO., LIMITED		1/1 A0