

P.C.B LAYOUT

Specifications:

规格:
 Voltage rating:250V AC/DC
 额定电压: 250V AC/DC
 Current rating:3A AC/DC
 额定电流: 3A AC/DC
 Withstanding voltage:1000V AC/minute
 耐受电压: 1000V AC/分钟
 Temperature range:-40°C-+85°C
 温度范围: -40°C-+85°C
 Insulation resistance :1000MΩ min
 绝缘电阻: 1000MΩ Min
 Contact resistance:20mΩ Max
 接触电阻: 20mΩ Max

X8821 W V - XX L - N0 SN
 ① ② ③ ④ ⑤ ⑥ ⑦

1. Series No.
2. Category:W-WAFER
3. Welding Board Angle: V-Straight 180°
- 4.Row No.Pin No.: XX-Single Row;
- 5.Plug the Pin&Special No:L-With Lock
- 6.Material:N0-PA66 94V-0
- 7.Plating Category: SN-Bright Tin Plating

Poles	A	B	C
02	2.50	7.50	5.80
03	5.00	10.00	8.30
04	7.50	12.50	11.00
05	10.00	15.00	13.50
06	12.50	17.50	16.00
07	15.00	20.00	18.50
08	17.50	22.50	21.00
09	20.00	25.00	23.50
10	22.50	27.50	26.00
11	25.00	30.00	28.50
12	27.50	32.50	31.00
13	30.00	35.00	33.50
14	32.50	37.50	36.00
15	35.00	40.00	38.50

X8821WW-XXL-N0SN	Nylon UL 94V-0	Brass (Plating Tin)	X8821H-L	X8821T-L
PART NO	Material	Material(Pin)	Suitable XKB Housing	Suitable XKB Terminal

广东星坤科技股份有限公司

Δx	日期
Δx	日期
Δx	日期

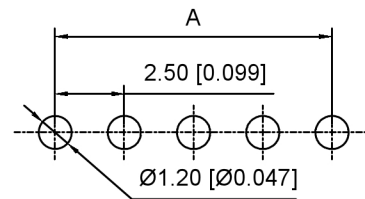
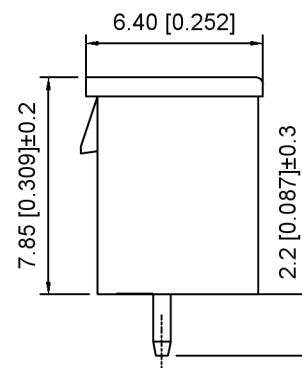
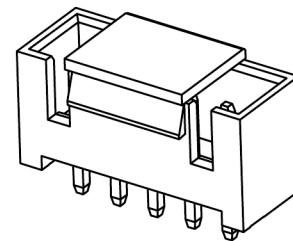
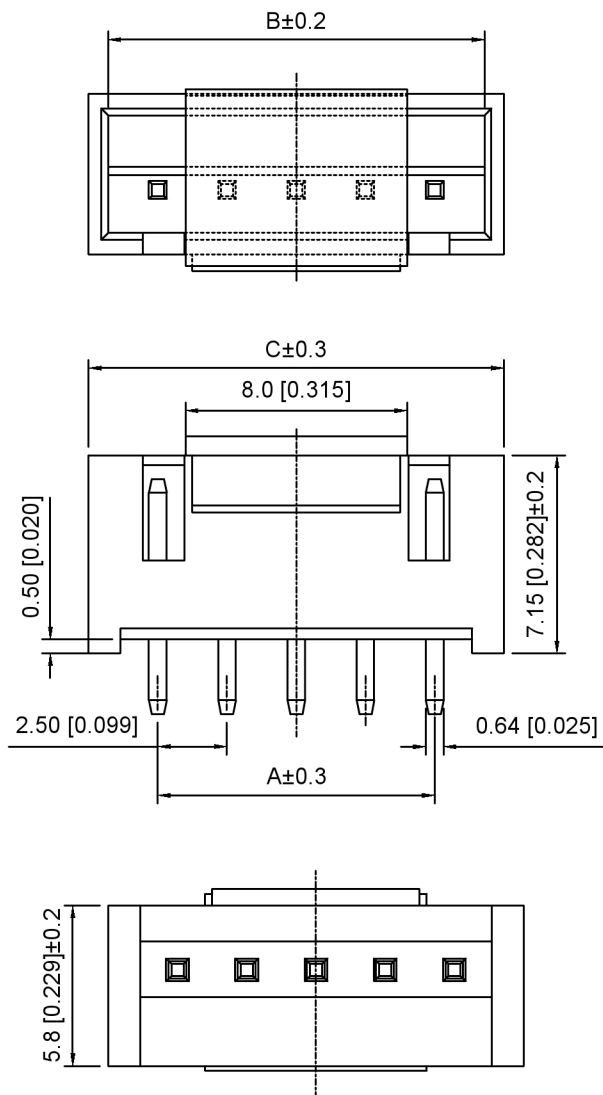
文件工程章

MARK	DESCRIPTION	DATE	REVISED	APPROVED	UNSPECIFIED TOLERANCES
	REVISIONS				
					ANGULAR ±5°
					L ≤ 4 ±0.2
					4 < L ≤ 16 ±0.3
					16 < L ≤ 63 ±0.4
					L > 63 ±0.5

XKIB

DSND	SCALE: N/A	MODEL TYPE: 2.50mm Crimp Style Connectors
DWN	VIEW:	PART NO.: X8821WW-XXL-N0SN
CHKD	UNIT: mm/in	DWG NO.: X-X8821WW-XXL-N0SN
APPD	SIZE: A4	WEIGHT SHEET REVISION 1/1 A0

KXB INDUSTRIAL PRECISION CO., LIMITED



Recommended PCB Layout(Top view)
Tolerance:±0.05mm

Specifications:

规格:

Voltage rating:250V AC/DC
 额定电压: 250V AC/DC
Current rating:3A AC/DC
 额定电流: 3A AC/DC
Withstanding voltage:1000V AC/minute
 耐受电压: 1000V AC/分钟
Temperature range:-25°C-+105°C
 温度范围: -25°C-+105°C
Insulation resistance:≥1000MΩ
 绝缘电阻: ≥1000MΩ
Contact resistance:≤20mΩ
 接触电阻: ≤20mΩ

X8821 W V - XX L R - LP SN
 ① ② ③ ④ ⑤ ⑥ ⑦ ⑧

1. Series No
2. Category:W-Wafer
3. Welding Board Angle:V-Stright 180°
4. Row No.Pin No:XX-02~16Pin
5. Special No:L-With Lock
6. Special No:R-DIP 2.2mm
7. Material:LP-LCP UL94V-0 ,Natural
CAP:LCP UL94V-0 ,Natural
8. Plating:SN- Tin Plated

Poles	Dimensions (mm)			Poles	Dimensions (mm)		
	A	B	C		A	B	C
02	2.50	6.10	7.50	10	22.50	26.10	27.50
03	5.00	8.60	10.00	11	25.00	28.60	30.00
04	7.50	11.10	12.50	12	27.50	31.10	32.50
05	10.00	13.60	15.00	13	30.00	33.60	35.00
06	12.50	16.10	17.50	14	32.50	36.10	37.50
07	15.00	18.60	20.00	15	35.00	38.60	40.00
08	17.50	21.10	22.50	16	37.50	41.10	42.50
09	20.00	23.60	25.00				

X8821W-XXLR-LPSN	LCP	Brass	X8821H
PART NO	Material	Material(Pin)	Suitable XKB Housing

DSND		SCALE: N/A	MODEL TYPE: 2.5mm Crimp Style Connector
DWN		VIEW:	PART NO.: X8821WV-XXLR-LPSN
CHKD		UNIT: mm/in	DWG NO.: X-X8821WV-XXLR-LPSN
APPD		SIZE: A4	



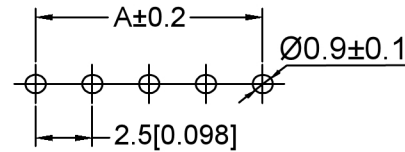
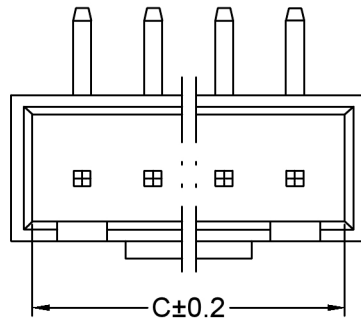
XKB INDUSTRIAL PRECISION CO.,LIMITED

WEIGHT	SHEET	REVISION
	1/1	A0

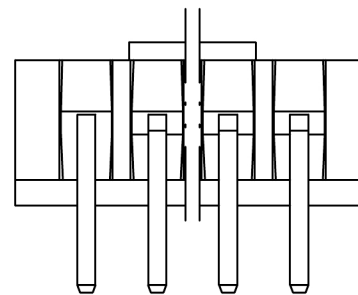
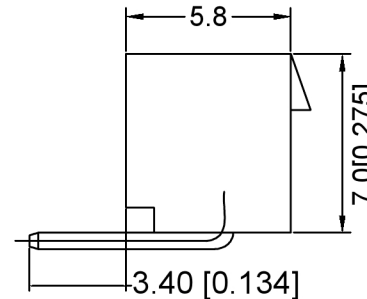
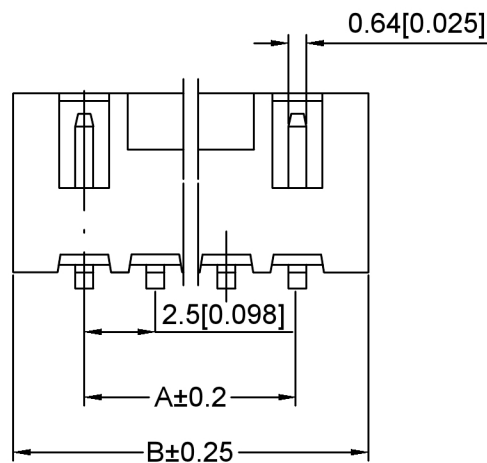
广东星坤科技股份有限公司

文件工程章

DATE	REVISED	APPROVED	UNSPECIFIED TOLERANCES



P.C.B LAYOUT



Specifications: XKB

规格:

Voltage rating:250V AC/DC

额定电压: 250V AC/DC

Current rating:3A AC/DC

额定电流: 3A AC/DC XKB

Withstanding voltage:1000V AC/minute

耐受电压: 1000V AC/分钟

Temperature range:-40°C-+85°C

温度范围: -40°C-+85°C

Insulation resistance:≥500MΩ

绝缘电阻: ≥500MΩ

Contact resistance:≤20mΩ

接触电阻: ≤20mΩ XKB

After environmental testing:≤30mΩ

环境测试后: ≤30兆欧

X8821 WR - XX SL - N0 SN

① ②③ ④ ⑤ ⑥ ⑦

①Series No.

②Category:W-WAFER

③Welding Board Angle: R-Right Angle 90°

④ Row No.Pin No.: XX-Single Row;

⑤Plug the Pin&Special No.:

s-Without Positioning:L-With Lock

⑥Material: N0-PA66 94V-0

⑦Plating Category: SN-Bright Tin Plating

Circuits	Dimension mm			Circuits	Dimension mm		
	A	B	C		A	B	C
2	2.50	7.50	6.00	10	22.50	27.50	26.00
3	5.00	10.00	8.50	11	25.00	30.00	28.50
4	7.50	12.50	11.00	12	27.50	32.50	31.00
5	10.00	15.00	13.50	13	30.00	35.00	33.50
6	12.50	17.50	16.00	14	32.50	37.50	36.00
7	15.00	20.00	18.50	15	35.00	40.00	38.50
8	17.50	22.50	21.00				
9	20.00	25.00	23.50				

X8821WR-XXSL-N0SN	Nylon 66 UL 94V-0	Brass	Tin-Plated	X8821H-L
PART NO	Material	Material(Pin)	Finish(Pin)	Mates With XKB Housing

广东星坤科技股份有限公司

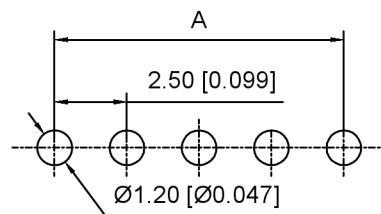
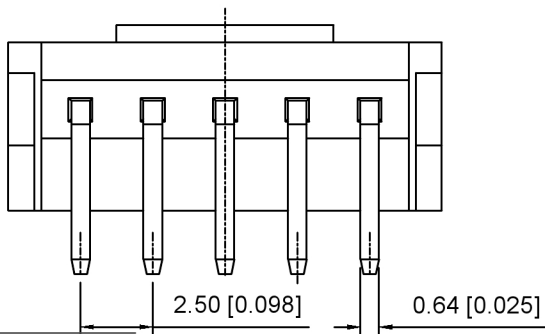
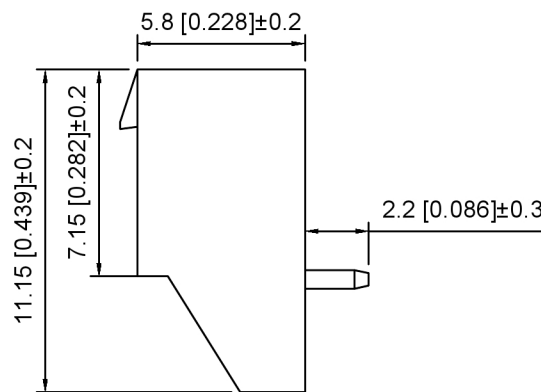
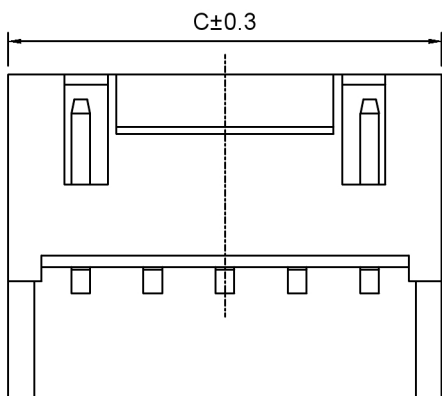
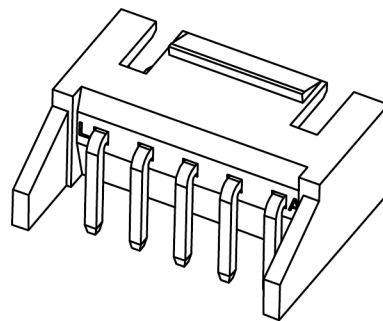
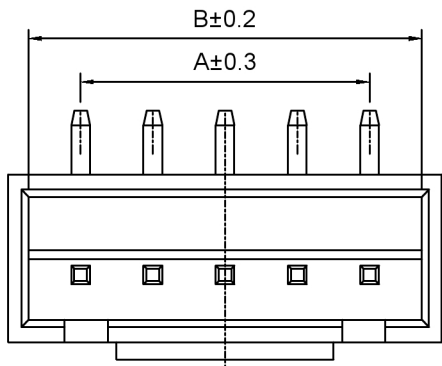
文件工程章

MARK	DESCRIPTION	DATE	REVISED	APPROVED	ANGLAR	±5°
Δx					L ≤ 4	±0.2
Δx					4 < L ≤ 16	±0.3
Δx					16 < L ≤ 63	±0.4
					L > 63	±0.5
REVISIONS					UNSPECIFIED TOLERANCES	



DSND		SCALE: N/A	MODEL TYPE: 2.5mm Crimp Style Connector
DWN		VIEW:	PART NO.: X8821WR-XXSL-N0SN
CHKD		UNIT: mm/in	DWG NO.: X-X8821WR-XXSL-N0SN
APPD		SIZE: A4	WEIGHT SHEET REVISION 1/1 A0

XKB INDUSTRIAL PRECISION CO., LIMITED



Recommended PCB Layout(Top view)
Tolerance:±0.05mm

Specifications:

规格:
Voltage rating:250V AC/DC
额定电压: 250V AC/DC
Current rating:3A AC/DC
额定电流: 3A AC/DC
Withstanding voltage:1000V AC/minute
耐受电压: 1000V AC/分钟
Temperature range:-25°C-+105°C
温度范围: -25°C-+105°C
Insulation resistance:≥1000MΩ
绝缘电阻: ≥1000MΩ
Contact resistance:≤20mΩ
接触电阻: ≤20mΩ

X8821 W R - XX L R - LP SN
① ② ③ ④ ⑤ ⑥ ⑦ ⑧

- 1.Series No
- 2.Category:W-Wafer
- 3.Welding Board Angle:R-Straight 90°
- 4.Row No.Pin No:XX-02~16Pin
- 5.Special No:L-With Lock
- 6.Special No:R-DIP 2.2mm
- 7.Material:LP-LCP UL94V-0 ,Natural
- 8.Plating:SN- Tin Plated

Poles	Dimensions (mm)			Poles	Dimensions (mm)		
	A	B	C		A	B	C
02	2.50	6.10	7.50	10	22.50	26.10	27.50
03	5.00	8.60	10.00	11	25.00	28.60	30.00
04	7.50	11.10	12.50	12	27.50	31.10	32.50
05	10.00	13.60	15.00	13	30.00	33.60	35.00
06	12.50	16.10	17.50	14	32.50	36.10	37.50
07	15.00	18.60	20.00	15	35.00	38.60	40.00
08	17.50	21.10	22.50	16	37.50	41.10	42.50
09	20.00	23.60	25.00				

X8821WR-XXLR-LPSN	LCP	Brass	X8821H
PART NO	Material	Material(Pin)	Suitable XKB Housing

DSND	SCALE: N/A	MODEL TYPE: 2.5mm Crimp Style Connector
DWN	VIEW:	PART NO.: X8821WR-XXLR-LPSN
CHKD	UNIT: mm/in	DWG NO.: X-X8821WR-XXLR-LPSN
APPD	SIZE: A4	WEIGHT SHEET REVISION
		1/1 A0



XKB INDUSTRIAL PRECISION CO.,LIMITED

广东星坤科技股份有限公司

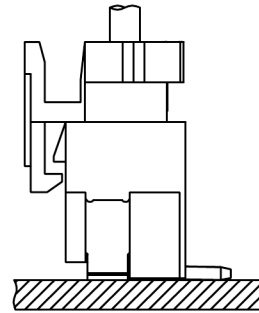
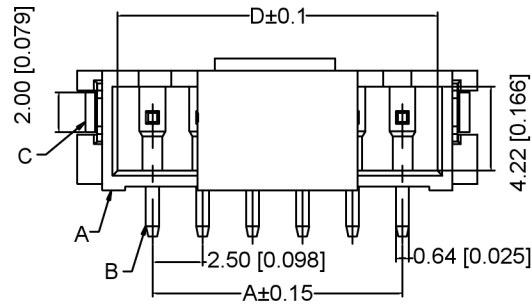
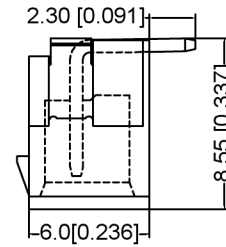
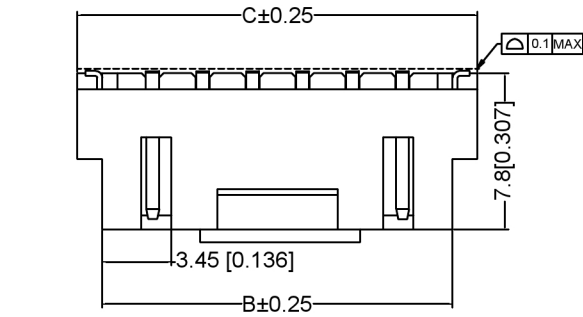
DATE: _____
REVISIONS

文件工程章

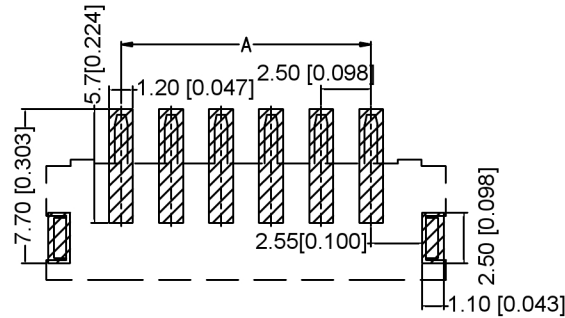
MARK	DESCRIPTION	DATE	REVISED	APPROVED	UNSPECIFIED TOLERANCES
ANGLAR	±5°				
L ≤ 4	±0.2				
4 < L ≤ 16	±0.3				
16 < L ≤ 63	±0.4				
L > 63	±0.5				

Specifications:

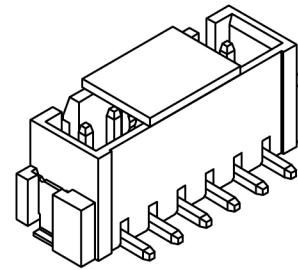
规格: XKB
 Voltage rating: 250V AC/DC
 额定电压: 250V AC/DC
 Current rating: 2A AC/DC
 额定电流: 2A AC/DC
 Withstanding voltage: 1000V AC/minute
 耐受电压: 1000V AC/分钟
 Temperature range: -40°C - +85°C
 温度范围: -40°C - +85°C
 Insulation resistance: ≥500MΩ
 绝缘电阻: ≥500MΩ
 Contact resistance: ≤20mΩ
 接触电阻: ≤20mΩ XKB
 After environmental testing: ≤30mΩ
 环境测试后: ≤30兆欧



Assembly Layout



SUGGESTED PCB LAYOUT



X8821 W V S-XX L -LP SN
 ① ② ③ ④ ⑤ ⑥ ⑦ ⑧

- ① Series No.
- ② Category: W-WAFER
- ③ Welding Board Angle: V-180°
- ④ Welding Way: S-SMT
- ⑤ Row No. Pin No.: XX-02P-16P;
- ⑥ Plug the Pin & Special No.: L-With Lock
- ⑦ Material: LP-LCP UL 94V-0
- ⑧ Plating Category: SN-Bright Tin Plating

Poles	Dimension mm				Poles	Dimension mm			
	A	B	C	D		A	B	C	D
2	2.50	7.50	10.00	6.00	10	22.50	27.50	30.00	26.00
3	5.00	10.00	12.50	8.50	11	25.00	30.00	32.50	28.50
4	7.50	12.50	15.00	11.00	12	27.50	32.50	35.00	31.00
5	10.00	15.00	17.50	13.50	13	30.00	35.50	37.50	33.50
6	12.50	17.50	20.00	16.00	14	32.50	37.50	40.00	36.00
7	15.00	20.00	22.50	18.50	15	35.00	40.00	42.50	38.50
8	17.50	22.50	25.00	21.00	16	37.50	42.50	45.00	41.00
9	20.00	25.00	27.50	23.50					

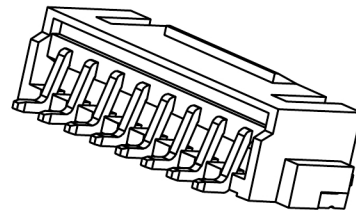
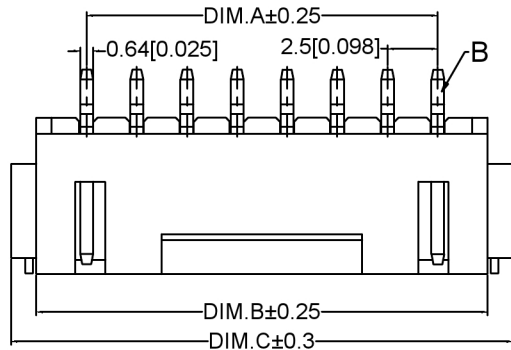
X8821WVS-XXL -lpSN	LCP UL 94V-0	Phosphor Bronze	Tin-Plated	X8821H-L
PART NO	Material	Material (Pin And Solder Tabs)	Finish (Pin And Solder Tabs)	Mates With XKB Housing

广东星坤科技股份有限公司

日期

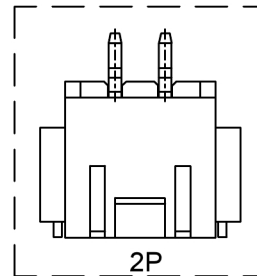
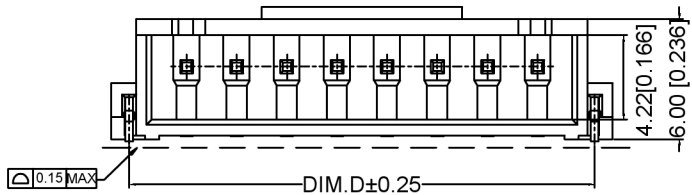
文件工程章

				XKB	ANGLAR	±5°	XKB	DSND		DATE	SCALE: N/A	MODEL TYPE:
					≤4	±0.2		DWN		DATE	VIEW:	2.5mm Crimp Style Connectors
					4<L≤16	±0.3		CHKD		DATE	UNIT: mm/in	PART NO.:
					16<L≤63	±0.4		APPD		DATE	SIZE: A4	X8821WVS-XXL-LPSN
					>63	±0.5						DWG NO.:
					UNSPECIFIED TOLERANCES							X-X8821WVS-XXL-LPSN
												WEIGHT
												SHEET
												1/1
												REVISION
												A0



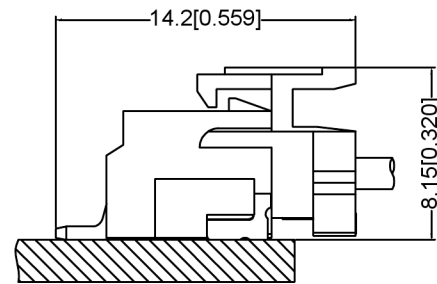
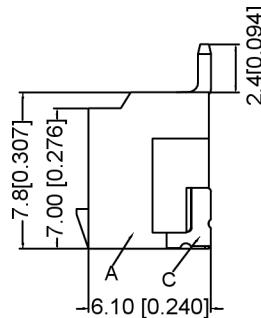
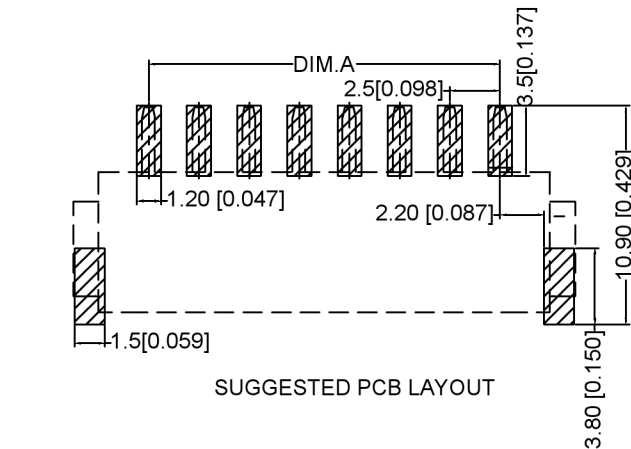
Specifications:

- 规格:
 Voltage rating:250V AC/DC
 额定电压: 250V AC/DC
 Current rating:2A AC/DC
 额定电流: 2A AC/DC
 Withstanding voltage:1000V AC/minute
 耐受电压: 1000V AC/分钟
 Temperature range:-40°C~+85°C
 温度范围: -40°C~+85°C
 Insulation resistance:≥500MΩ
 绝缘电阻: ≥500MΩ
 Contact resistance:≤20mΩ
 接触电阻: ≤20mΩ
 After environmental testing:≤30mΩ
 环境测试后: ≤30mΩ



X8821 W R S-XX L -LP SN
 ① ② ③ ④ ⑤ ⑥ ⑦ ⑧

- ① Series No.
- ② Category:W-WAFER
- ③ Welding Board Angle: R-Right Angle 90°
- ④ Welding Way:S-SMT
- ⑤ Row No.Pin No.: XX-02P~16P;
- ⑥ Plug the Pin&Special No:L-With Lock
- ⑦ Material: LP-LCP UL94V-0
- ⑧ Plating Category: SN-Bright Tin Plating



Assembly Layout

Poles	Dimension mm				Poles	Dimension mm			
	A	B	C	D		A	B	C	D
2	2.50	7.50	10.00	8.20	10	22.50	27.50	30.00	28.20
3	5.00	10.00	12.50	10.70	11	25.00	30.00	32.50	30.70
4	7.50	12.50	15.00	13.20	12	27.50	32.50	35.00	33.20
5	10.00	15.00	17.50	15.70	13	30.00	35.50	37.50	35.70
6	12.50	17.50	20.00	18.20	14	32.50	37.50	40.00	38.20
7	15.00	20.00	22.50	20.70	15	35.00	40.00	42.50	40.70
8	17.50	22.50	25.00	23.20	16	37.50	42.50	45.00	43.20
9	20.00	25.00	27.50	25.70					

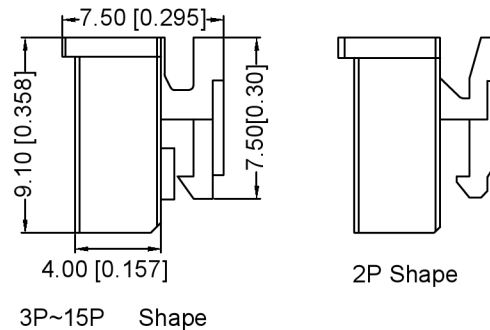
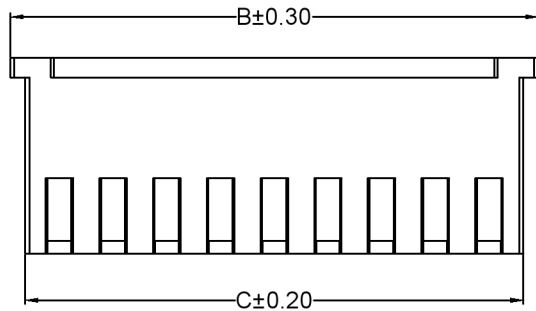
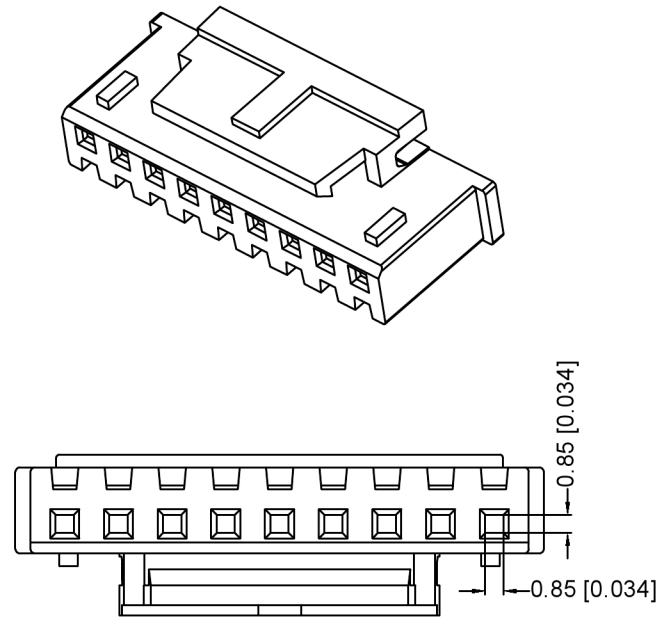
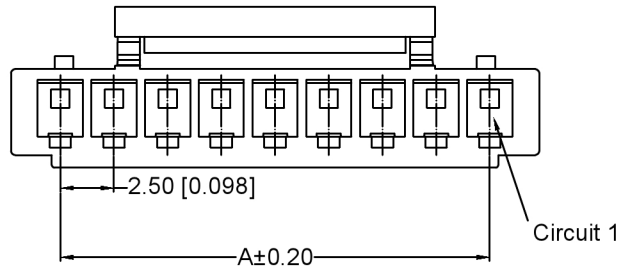
X8821WRS-XXL-LPSN	LCP UL 94V-0	Phosphor Bronze	Tin-Plated	X8821H-L
PART NO	Material	Material(Pin And Solder Tabs)	Finish(Pin And Solder Tabs)	Mates With XKB Housing

XKB	DSND	DATE	SCALE: N/A	MODEL TYPE: 2.50 mm Crimp Style Connectors
ANGLAR ±5°	DWN	DATE	VIEW:	PART NO.: X8821WRS-XXL-LPSN
≤4 ±0.2	CHKD	DATE	UNIT: mm/in	DWG NO.: X-X8821WRS-XXL-LPSN
4<L≤16 ±0.3	APPD	DATE	SIZE: A4	WEIGHT
16<L≤63 ±0.4	XKB INDUSTRIAL PRECISION CO.,LIMITED			SHEET
L>63 ±0.5				REVISION
UNSPECIFIED TOLERANCES				1/1
				A0

广东星坤科技股份有限公司

文件工程章

MARK	DESCRIPTION	DATE	REVISED	APPROVED	XKB	UNSPECIFIED TOLERANCES
Δx	日期					
Δx						
Δx						
REVISIONS	www.helloxkb.com					



Specifications:
 规格:
 Voltage rating:500V AC/DC
 额定电压: 500V AC/DC
 Current rating:3A AC/DC
 额定电流: 3A AC/DC
 Withstanding voltage:1000V AC/minute
 耐受电压: 1000V AC/分钟
 Temperature range:-40°C~+85°C
 温度范围: -40°C~+85°C
 Insulation resistance:≥500MΩ
 绝缘电阻: ≥500MΩ
 Contact resistance:≤20mΩ
 接触电阻: ≤20mΩ
 After environmental testing:≤30mΩ
 环境测试后: ≤30兆欧

X8821 H - XX L - N0
 ① ② ③ ④ ⑤

- 1.Series No.
- 2.Category:H-HSG
- 3.Row No.Pin No.: XX-Single Row;
- 4.Plug the Pin&Special No:L-With Lock
- 5.Material:N0-PA66 UL94V-0

Poles	Dimensions(mm)			Poles	Dimensions(mm)		
	A	B	C		A	B	C
02	2.50	7.50	5.70	09	20.00	25.00	23.20
03	5.00	10.00	8.20	10	22.50	27.50	25.70
04	7.50	12.50	10.70	11	25.00	30.00	28.20
05	10.00	15.00	13.20	12	27.50	32.50	30.70
06	12.50	17.50	15.70	13	30.00	35.00	33.20
07	15.00	20.00	18.20	14	32.50	37.50	35.70
08	17.50	22.50	20.70	15	35.00	40.00	38.20

X8821H-XXL-N0	PA66 UL 94V-0	X8821T-L	X8821W-L
PART NO	Material	Suitable SWB Terminal	Mates With XKB Wafer

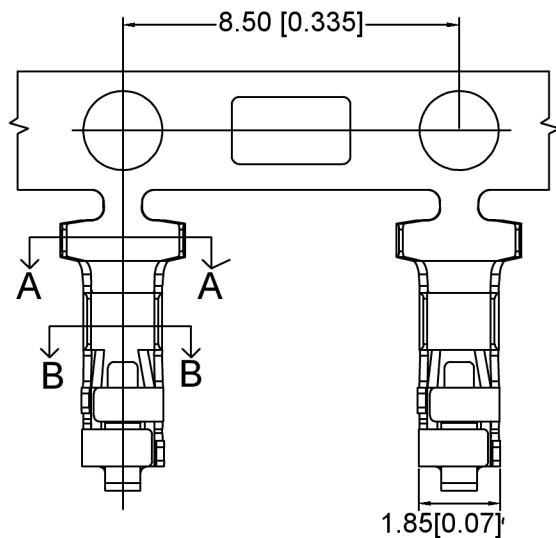
广东星坤科技股份有限公司
 文件工程章

MARK	DESCRIPTION	DATE	REVISED	APPROVED	UNSPECIFIED TOLERANCES
Δx	日期				ANGULAR ±5°
Δx					L ≤ 4 ±0.2
Δx					4 < L ≤ 16 ±0.3
					16 < L ≤ 63 ±0.4
					L > 63 ±0.5

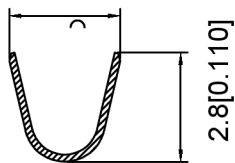


XKB INDUSTRIAL PRECISION CO., LIMITED

DSND	SCALE: N/A	MODEL TYPE: 2.5mm Crimp Style Connector
DWN	VIEW:	PART NO.: X8821H-XXL-N0
CHKD	UNIT: mm/in	DWG NO.: X-X8821H-XXL-N0
APPD	SIZE: A4	WEIGHT SHEET REVISION 1/1 A0

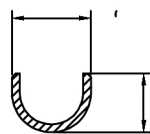


2.80 [0.110]



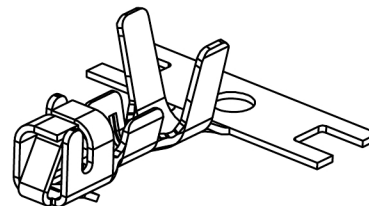
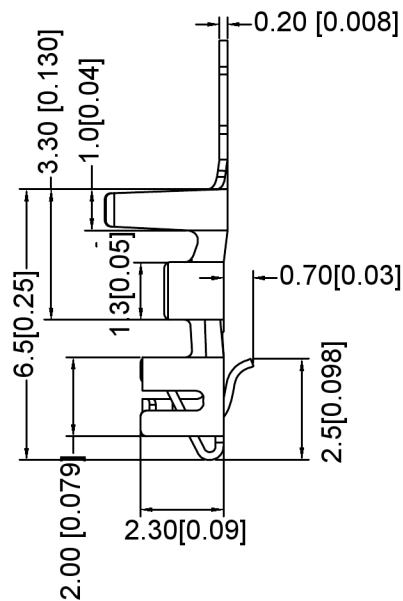
SECTION: A-A
SCALE: 1:1

2.00 [0.079]



1.49 [0.059]

SECTION: B-B
SCALE: 1:1



SpecificationsXKB

规格:

Voltage rating:500V AC/DC

额定电压: 500V AC/DC

Current rating:3A AC/DC

额定电流: 3A AC/DC

Withstanding voltage:1000V AC/minute

耐受电压: 1000V AC/分钟

Temperature range:-40°C-+85°C

温度范围: -40°C-+85°C

Insulation resistance:≥1000MΩ

绝缘电阻: ≥1000MΩ

Contact resistance:≤10mΩ

接触电阻: ≤10mΩ XKB

After environmental testing:≤20mΩ

环境测试后: ≤20兆欧

X8821T X-X SN X-L

① ② ③ ④ ⑤ ⑥ ⑦

- ① Series No.
- ② Category:T-Terminal
- ③ Appearance type:Blank-Ordinary
- ④ Material:P-Phosphor bronze;B-Brass
- ⑤ Plating Style: SN-Bright Tin Plating
- ⑥ Plating Method:
Blank-Stamping before Plating
B-Plating before Stamping
- ⑦ Mold No./Mark/Special No.: L-With Lock

X8821T-BSN-L	Brass	AWG#22-26	1.90mm(Max)	Stamping Before Plating:30u" N;70u"Sn	X 8821H-L
X8821T-BSNB-L				Plating Before stamping:10u" N:40u"Sn	
X8821T-PSNB-L	Phosphor Bronze	AWG#22-26	1.90mm(Max)	Plating Before Stamping:10u" Ni40u Sn	
X8821T-PSN-L				Stamping Before Plating:30u" N;70c' Sn	
PART NO	Material	Wire Range	Insulation O.D.	Finish	Used In XKB Housing

广东星坤科技股份有限公司

文件工程章

日期

REVISIONS

UNSPECIFIED TOLERANCES

www.helloxkb.com www.helloxkb.cn www.xk-dg.cn

MARK	DESCRIPTION	DATE	REVISED	APPROVED	ANGLAR	±5°
Δ*					L ≤ 4	±0.2
Δ*					4 < L ≤ 16	±0.3
Δ*					16 < L ≤ 63	±0.4
					L > 63	±0.5

XKLB

DSND

DWN

CHKD

APPD

SCALE: N/A

VIEW:

UNIT: mm/in

SIZE: A4

MODEL TYPE:
2.5mm Crimp Style Connector

PART NO.:
X8821T-PSN-L

DWG NO.:
X-X8821T-PSN-L

WEIGHT

SHEET
1/1

REVISION
A0

XKB INDUSTRIAL PRECISION CO.,LIMITED