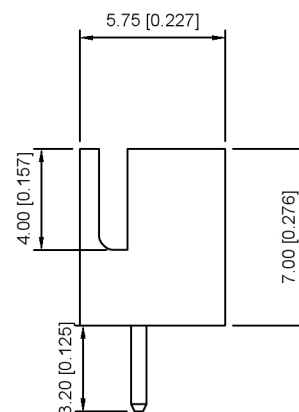
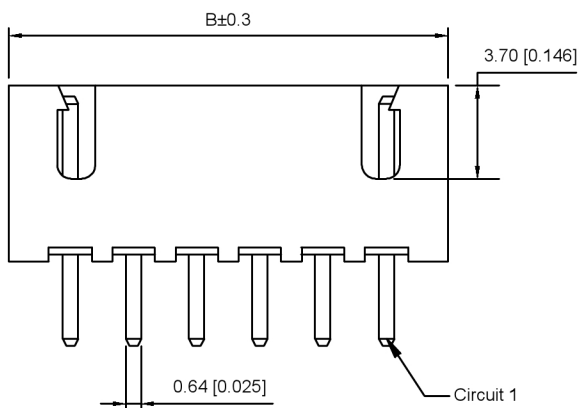


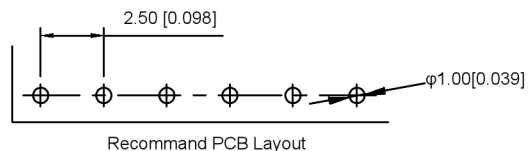
■ Specifications :

- Voltage rating: 250V AC / DC
- Current rating: 3A AC / DC
- Withstanding voltage: 1000V AC/minute
- Temperature range: -40°C~+85°C
- Insulation resistance: ≥1000M Ω
- Contact resistance: ≤10mΩ
- After environmental testing : ≤20mΩ



X8821 W V-XX - XX SN
① ② ③ ④ ⑤ ⑥

- ① Series No.
- ② Category : W-WAFER
- ③ Wedding Board Angle : V-Stright 180°
- ④ Row No.-Pin No.: XX-02P~20P
- ⑤ Material : N0-PA66;46-PA46 94V-0
- ⑥ Plating Category: Sn-Bright Tin Plating



Poles	Dimensions(mm)		Poles	Dimensions(mm)	
	A	B		A	B
02	2.50	7.50	12	27.50	32.50
03	5.00	10.00	13	30.00	35.00
04	7.50	12.50	14	32.50	37.50
05	10.00	15.00	15	35.00	40.00
06	12.50	17.50	16	37.50	42.50
07	15.00	20.00	17	40.00	45.00
08	17.50	22.50	18	42.50	47.50
09	20.00	25.00	19	45.00	50.00
10	22.50	27.50	20	47.50	52.50
11	25.00	30.00			

X8821WV-XX-46SN	PA46 UL 94V-0	Brass	Tin-Plated	X8821H
X8821WV-XX-N0SN	Nylon 66 UL 94V-0			
PART NO	Material	Material(pin)	Finish(pin)	Suitable XKB Terminal

广东星坤科技股份有限公司

Δx	日期
Δx	日期
Δx	日期
MARK	DESCRIPTION

文件工程章

REVISIONS	DATE	REVISED	APPROVED	UNSPECIFIED TOLERANCES
ANGULAR				±5°
≤ 4				±0.2
4 < L ≤ 16				±0.3
16 < L ≤ 63				±0.4
L > 63				±0.5

DSND	DATE	SCALE: N/A
DWN	DATE	VIEW:
CHKD	DATE	UNIT: mm/in
APPD	DATE	SIZE: A4
XKB INDUSTRIAL PRECISION CO., LIMITED		

MODEL TYPE:	2.5mm Crimp Style Connectors	
PART NO.:	X8821WV-XX-XXSN	
DWG NO.:	X-X8821WV-XX-XXSN	
WEIGHT	SHEET	REVISION
	1/1	A0

Specifications:

规格:

Voltage rating:250V AC/DC

额定电压: 250V AC/DC

Current rating:3A AC/DC

额定电流: 3A AC/DC

Withstanding voltage:1000V AC/minute

耐受电压: 1000V AC/分钟

Temperature range:-40℃-+85℃

温度范围: -40℃-+85℃

Insulation resistance: 1000MΩ min

绝缘电阻: 1000MΩ Min

Contact resistance:20mΩ Max

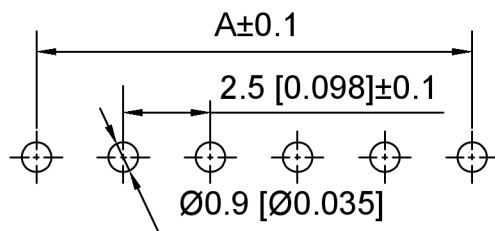
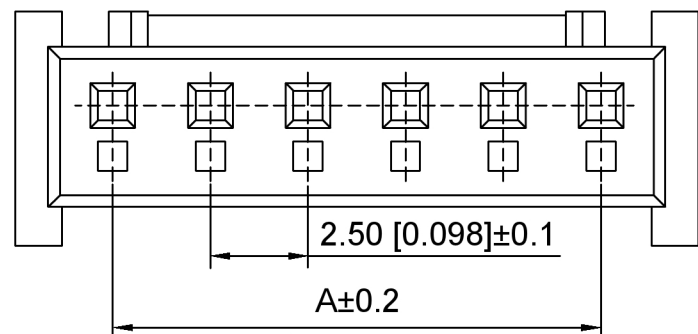
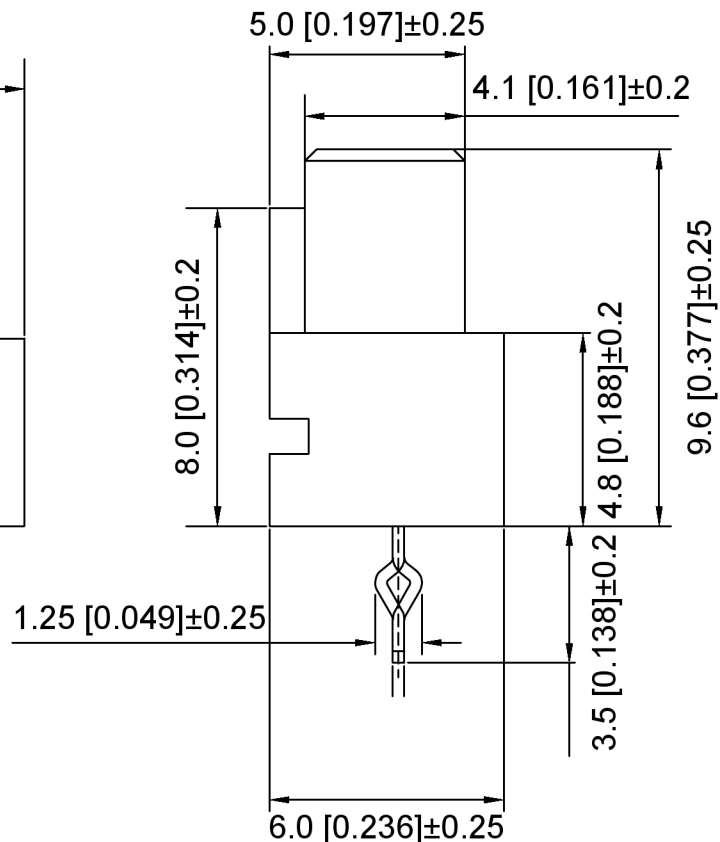
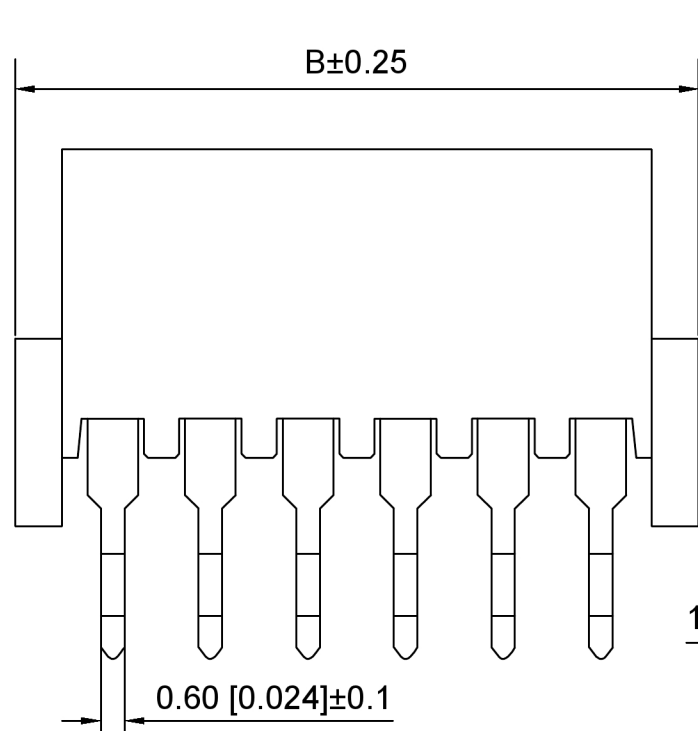
接触电阻: 20mΩ Max

X8821 W V-XX A-N0 SN
① ② ③ ④ ⑤ ⑥ ⑦

- 1.Series No
- 2.Category:W-Wafer
- 3.Welding Board Angle:V-Straight 180°
- 4..Row No-Pin No:XX-03P~20P
- 5.TYPE:A
- 6.Material:N0-Nylon66 UL94V-0
- 7.Plating Category:SN-Bright Tin Plating

Poles	Dimensions(mm)	
	A	B
03	5.00	10.00
04	7.50	12.50
05	10.00	15.00
06	12.50	17.50
07	15.00	20.00
08	17.50	22.50
09	20	25.00
10	22.50	27.50
11	25.00	30.00
12	27.50	32.50
20	47.50	52.50

X8821WV-XXA-N0SN	Nylon66	Phosphor bronze	X8821H	X8821T
PART NO	Material	Material(PIN)	Suitable XKB Housing	Suitable XKB Terminal



PCB LAYOUT

广东星坤科技股份有限公司

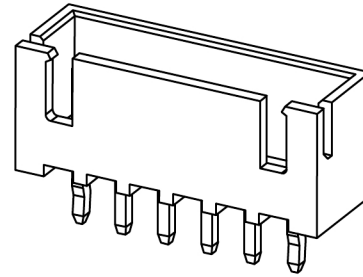
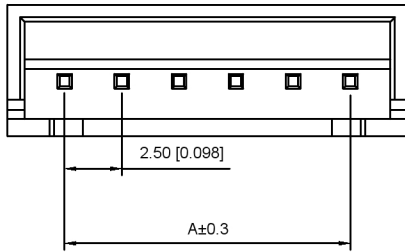
MARK	DESCRIPTION	DATE	REVISED	APPROVED	UNSPECIFIED TOLERANCES
Δx					ANGULAR ±5°
Δx					L ≤ 4 ±0.2
Δx					4 < L ≤ 16 ±0.3
					16 < L ≤ 63 ±0.4
					L > 63 ±0.5



DSND	SCALE: N/A	MODEL TYPE: 2.5 mm BTB Style Connector
DWN	VIEW:	PART NO.: X8821WV-XXA-N0SN
CHKD	UNIT: mm/in	DWG NO.: X-X8821WV-XXA-N0SN
APPD	SIZE: A4	WEIGHT
		SHEET
		REVISION
		1/1
		A0

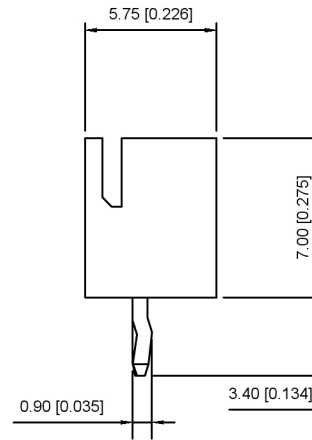
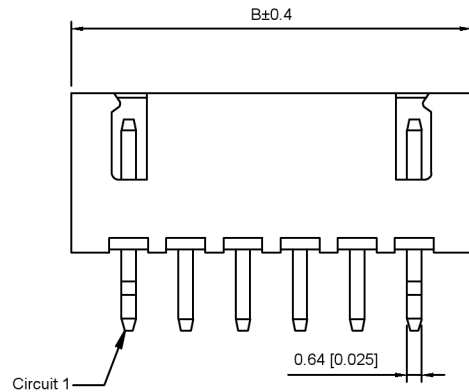
XKB INDUSTRIAL PRECISION CO., LIMITED

文件工程章



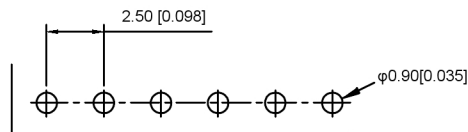
Specifications :

- Voltage rating: 250 V AC / DC
- Current rating: 3A AC / DC
- Withstanding voltage: 1000V AC/minute
- Temperature range: -40°C~+85°C
- Insulation resistance: ≥1000M Ω
- Contact resistance: ≤10mΩ
- After environmental testing : ≤20mΩ



X8821 W V-XX K- XX SN
① ② ③ ④ ⑤ ⑥ ⑦

- ① Series No.
- ② Category : W-WAFER
- ③ Wedging Board Angle : V-Stright 180°
- ④ Row No.-Pin No.: XX-02P~20P
- ⑤ Piug the Pin\$ Special No.:K-KINK
- ⑥ Material : N0-PA66;46-PA46 94V-0
- ⑦ Plating Category: Sn-Bright Tin Plating



Recommended P.C.B Layout
General Tolerance±0.05

Poles	Dimensions(mm)		Poles	Dimensions(mm)	
	A	B		A	B
02	2.50	7.50	12	27.50	32.50
03	5.00	10.00	13	30.00	35.00
04	7.50	12.50	14	32.50	37.50
05	10.00	15.00	15	35.00	40.00
06	12.50	17.50	16	37.50	42.50
07	15.00	20.00	17	40.00	45.00
08	17.50	22.50	18	42.50	47.50
09	20.00	25.00	19	45.00	50.00
10	22.50	27.50	20	47.50	52.50
11	25.00	30.00			

X8821WV-XXK-46SN	PA46 UL 94V-0	Brass	Tin-Plated	X8821H
X8821WV-XXK-N0SN	Nylon 66 UL 94V-0			
PART NO	Material	Material(pin)	Finish(pin)	Suitable XK8 Terminal

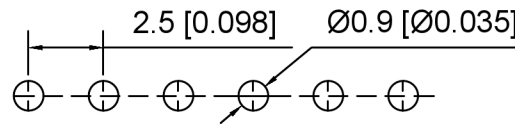
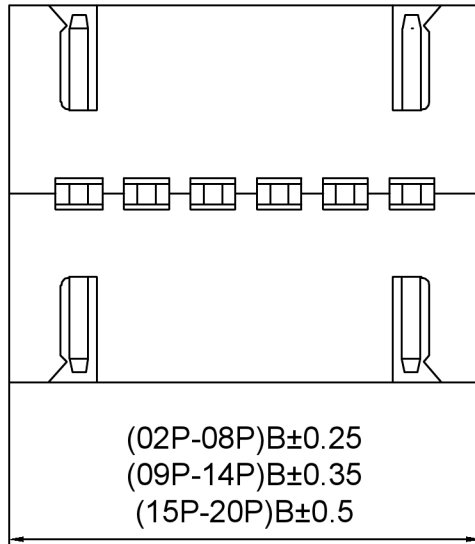
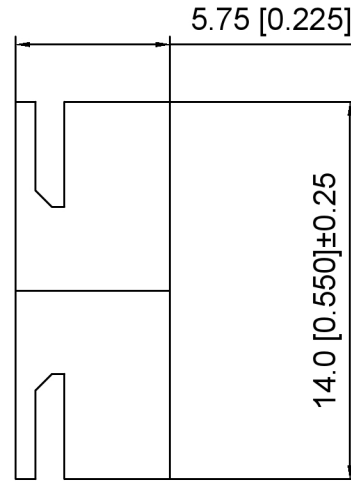
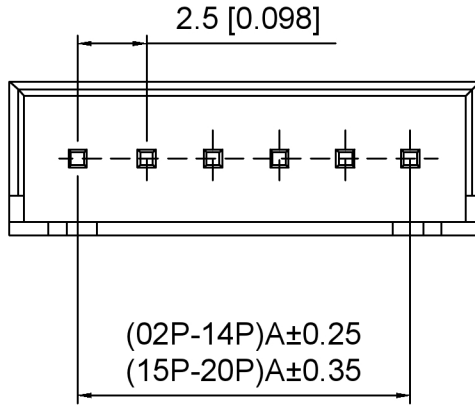
DSND	DATE	SCALE: N/A	MODEL TYPE:	
DWN	DATE	VIEW:	2.5mm Crimp Style Connectors	
CHKD	DATE	UNIT: mm/in	PART NO.:	
APPD	DATE	SIZE: A4	X8821WV-XXK-XXSN	
			DWG NO.:	
			X-X8821WV-XXK-XXSN	
		WEIGHT	SHEET	REVISION
			1/1	A0

广东星坤科技股份有限公司

修改	日期
修改	日期
修改	日期

文件工程章

MARK	DESCRIPTION	DATE	REVISED	APPROVED	ANGLAR	±5°
					≤4	±0.2
					4<L≤16	±0.3
					16<L≤63	±0.4
					L>63	±0.5
UNSPECIFIED TOLERANCES						



P . C . B . Layout

Specifications:

规格:

Voltage rating:250V AC/DC

额定电压: 250V AC/DC

Current rating:3A AC/DC

额定电流: 3A AC/DC

Withstanding voltage: 1000V

AC/minute

耐受电压: 1000V AC/分钟

Temperature range:-40°C-+85°C

温度范围: -40°C-+85°C

Insulation resistance: 1000MΩ min

绝缘电阻: 1000MΩ Min

Contact resistance:20mΩ Max

接触电阻: 20mΩ Max

X8821 W V - XX H2 - 46 SN
① ② ③ ④ ⑤ ⑥ ⑦

1.Series No

2.Category:W-Wafer

3.Welding Board Angle:V-Stright 180°

4.Row No.Pin No:XX-02Pin-20Pin

5.H2:Horse Hooves

6.Material:46-PA46 UL 94V-0

7.Plating:SN-Bright Tin Plating

Poles	A	B	Poles	A	B
02	2.50	7.50	12	27.50	32.50
03	5.00	10.00	13	30.00	35.00
04	7.50	12.50	14	32.50	37.50
05	10.00	15.00	15	35.00	40.00
06	12.50	17.50	16	37.50	42.50
07	15.00	20.00	17	40.00	45.00
08	17.50	22.50	18	42.50	47.50
09	20.00	25.00	19	45.00	50.00
10	22.50	27.50	20	47.50	52.50
11	25.00	30.00		/	

X8821WV-XXH2-46SN	PA46 UL 94V-0	Brass (Plating Tin)	X8821H	X8821T
PART NO	Material	Material(Pin)	Suitabke XKB Housing	Suitabke XKB Terminal

DSND	SCALE: N/A	MODEL TYPE: 2.5mm Crimp Style Connector
DWN	VIEW:	PART NO.: X8821WV-XXH2-46SN
CHKD	UNIT: mm/in	DWG NO.: X-X8821WV-XXH2-46SN
APPD	SIZE: A4	



XKB INDUSTRIAL PRECISION CO., LIMITED

WEIGHT	SHEET	REVISION
	1/1	A0

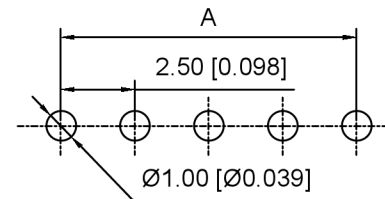
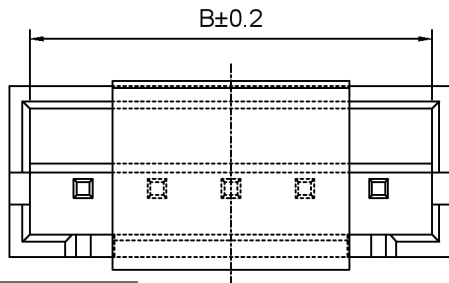
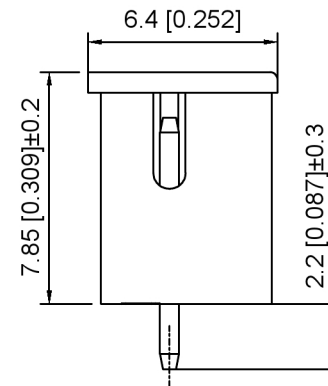
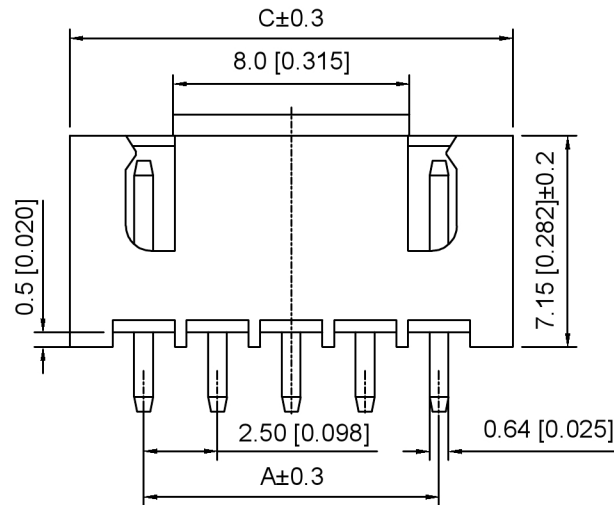
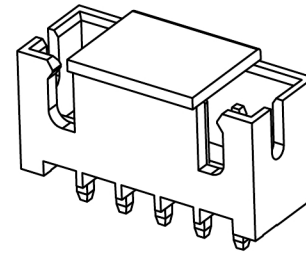
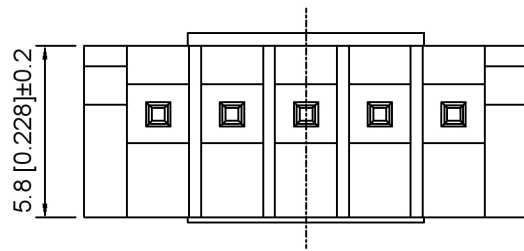
广东星坤科技股份有限公司

ΔX	日期
ΔX	
ΔX	
MARK	DESCRIPTION

文件工程章

				ANGULAR	±5°
				L ≤ 4	±0.2
				4 < L ≤ 16	±0.3
				16 < L ≤ 63	±0.4
				L > 63	±0.5
UNSPECIFIED TOLERANCES					

www.helloxkb.com www.helloxkb.cn www.xk-dg.cn



Recommended PCB Layout(Top view)
Tolerance:±0.05mm

Specifications:

规格:
Voltage rating:250V AC/DC
额定电压: 250V AC/DC
Current rating:3A AC/DC
额定电流: 3A AC/DC
Withstanding voltage:1000V AC/minute
耐受电压: 1000V AC/分钟
Temperature range:-25℃-+105℃
温度范围: -25℃-+105℃
Insulation resistance:≥1000MΩ
绝缘电阻: ≥1000MΩ
Contact resistance:≤20mΩ
接触电阻: ≤20mΩ

X8821 W V - XX S R - LP SN
① ② ③ ④ ⑤ ⑥ ⑦ ⑧

- 1.Series No
- 2.Category:W-Wafer
- 3.Welding Board Angle:V-Straight 180°
- 4.Row No.Pin No:XX-02~16Pin
- 5.Special No:S-No Positioning
- 6.Special No:R-DIP 2.2mm
- 7.Material:LP-LCP UL94V-0 ,Natural
CAP:LCP UL94V-0 ,Natural
- 8.Plating:SN- Tin Plated

Poles	Dimensions (mm)			Poles	Dimensions (mm)		
	A	B	C		A	B	C
02	2.50	6.10	7.50	10	22.50	26.10	27.50
03	5.00	8.60	10.00	11	25.00	28.60	30.00
04	7.50	11.10	12.50	12	27.50	31.10	32.50
05	10.00	13.60	15.00	13	30.00	33.60	35.00
06	12.50	16.10	17.50	14	32.50	36.10	37.50
07	15.00	18.60	20.00	15	35.00	38.60	40.00
08	17.50	21.10	22.50	16	37.50	41.10	42.50
09	20.00	23.60	25.00				

X8821WV-XXSR-LPSN	LCP	Brass	X8821H
PART NO	Material	Material(Pin)	Suitable XKB Housing

DSND		SCALE: N/A	MODEL TYPE: 2.5mm Crimp Style Connector
DWN		VIEW:	PART NO.: X8821WV-XXSR-LPSN
CHKD		UNIT: mm/in	DWG NO.: X-X8821WV-XXSR-LPSN
APPD		SIZE: A4	



XKB INDUSTRIAL PRECISION CO., LIMITED

WEIGHT	SHEET	REVISION
	1/1	A0

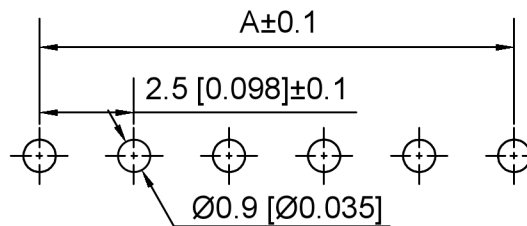
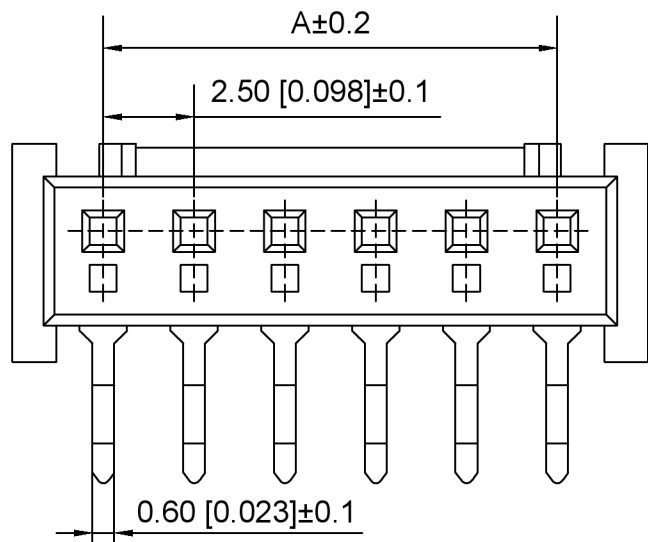
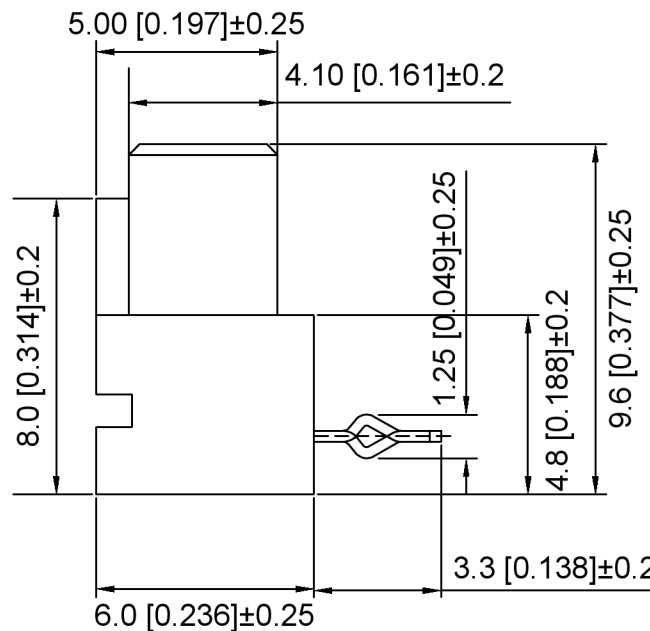
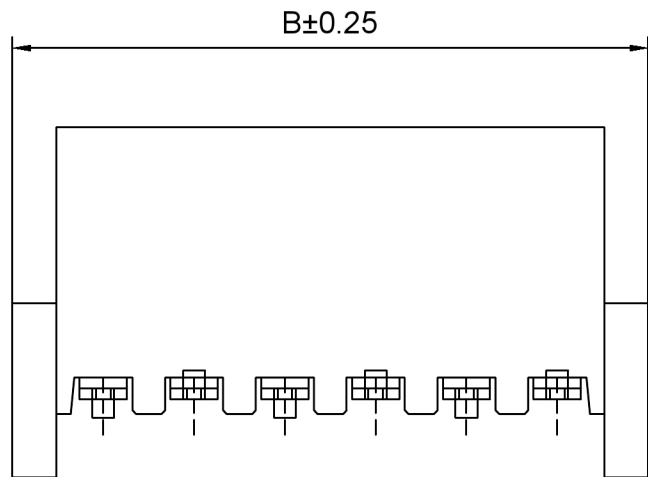
广东星坤科技股份有限公司

Δ建	日期
Δ数	日期
Δ改	日期

文件工程章

MARK	DESCRIPTION	DATE	REVISED	APPROVED	ANGLAR	±5°
					L ≤ 4	±0.2
					4 < L ≤ 16	±0.3
					16 < L ≤ 63	±0.4
					L > 63	±0.5

UNSPECIFIED TOLERANCES



Specifications:

规格:

Voltage rating:250V AC/DC

额定电压: 250V AC/DC

Current rating:3A AC/DC

额定电流: 3A AC/DC

Withstanding voltage:1000V AC/minute

耐受电压: 1000V AC/分钟

Temperature range:-40℃-+85℃

温度范围: -40℃-+85℃

Insulation resistance: 1000MΩ min

绝缘电阻: 1000MΩ Min

Contact resistance:20mΩ Max

接触电阻: 20mΩ Max

X8821 W R-XX A -N0 SN
 ① ② ③ ④ ⑤ ⑥ ⑦

- 1.Series No
- 2.Category:W-Wafer
- 3.Welding Board Angle:R-Straight 90°
- 4..Row No-Pin No:XX-03P~15P
- 5.TYPE:A
- 6.Material:N0-Nylon66 UL94V-0
- 7.Plating Category:SN-Bright Tin Plating

Poles	Dimensions(mm)	
	A	B
03	5.00	10.00
04	7.50	12.50
05	10.00	15.00
06	12.50	17.50
07	15.00	20.00
08	17.50	22.50
09	20.00	25.00
10	22.50	27.50
11	25.00	30.00
12	27.50	32.50
15	35.00	40.00

PCB LAYOUT

X8821WR-XXA-N0SN	Nylon66	Phosphor bronze	X8821H	X8821T
PART NO	Material	Material(PIN)	Suitable XKB Housing	Suitable XKB Terminal

广东星坤科技股份有限公司

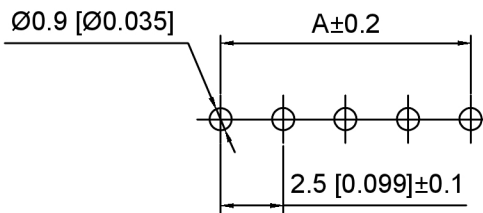
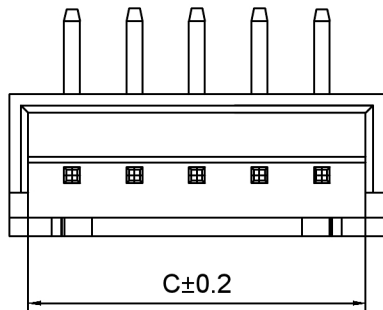
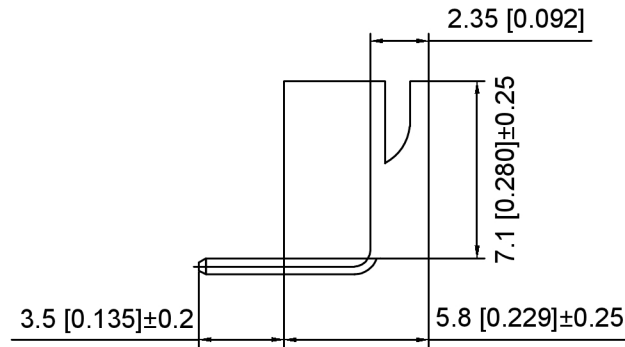
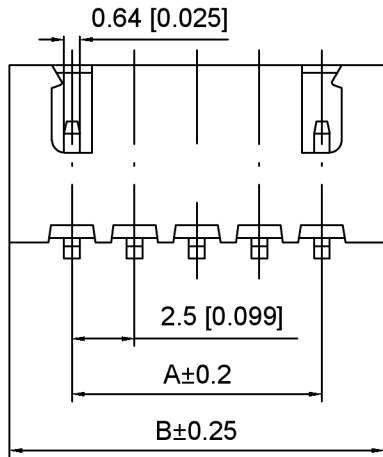
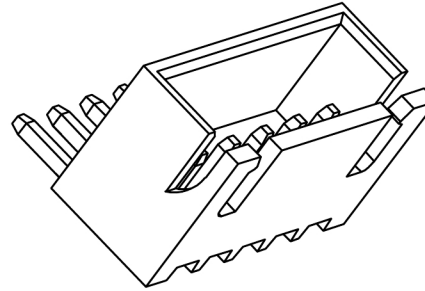
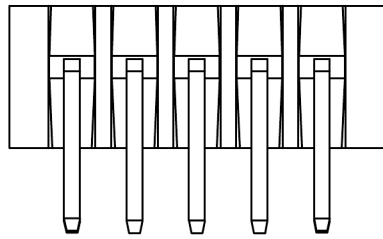
MARK	DESCRIPTION	DATE	REVISED	APPROVED	UNSPECIFIED TOLERANCES
Δx	日期				ANGULAR ±5°
Δx					L ≤ 4 ±0.2
Δx					4 < L ≤ 16 ±0.3
					16 < L ≤ 63 ±0.4
					L > 63 ±0.5



DSND	SCALE: N/A	MODEL TYPE: 2.5 mm BTB Style Connector
DWN	VIEW:	PART NO.: X8821WR-XXA-N0SN
CHKD	UNIT: mm/in	DWG NO.: X-X8821WR-XXA-N0SN
APPD	SIZE: A4	

文件工程章

REVISIONS	UNSPECIFIED TOLERANCES
www.helloxkb.com www.helloxkb.cn www.xk-dg.cn	



P . C . B LAYOUT

Specifications:

规格:

Voltage rating:250V AC/DC

额定电压: 250V AC/DC

Current rating:3A AC/DC

额定电流: 3A AC/DC

Withstanding voltage:1000V AC/minute

耐受电压: 1000V AC/分钟

Temperature range:-40°C~+85°C

温度范围: -40°C~+85°C

Insulation resistance:1000MΩ min

绝缘电阻: 1000MΩ Min

Contact resistance:20mΩ Max

接触电阻: 20mΩ Max

X8821 W R-XX S- N0 SN
 ① ② ③ ④ ⑤ ⑥ ⑦

- 1.Series No
- 2.Category:W-Wafer
- 3.Welding Board Angle:R-Stright 90°
- 4.Row No.Pin No:XX-02~20P
- 5.Special No:S-No Positioning
- 6.Material:N0-Nylon UL94V-0
- 7.Plating:SN-Tin Plated

Poles	Dimensions(mm)			Poles	Dimensions(mm)		
	A	B	C		A	B	C
02	2.50	7.50	6.00	10	22.50	27.50	26.00
03	5.00	10.00	8.50	11	25.00	30.00	28.50
04	7.50	12.50	11.00	12	27.50	32.50	31.00
05	10.00	15.00	13.50	13	30.00	35.00	33.50
06	12.50	17.50	16.00	14	32.50	37.50	36.00
07	15.00	20.00	18.50	15	35.00	40.00	38.50
08	17.50	22.50	21.00	-			
09	20.00	25.00	23.50	20	47.50	52.50	51.00

X8821WR-XXS-N0SN	Nylon	Brass	X8821H
PART NO	Material	Material(Pin)	Suitable XKB Housing

DSND	SCALE: N/A	MODEL TYPE: 2.5mm Crimp Style Connector
DWN	VIEW:	PART NO.: X8821WR-XXS-N0SN
CHKD	UNIT: mm/in	DWG NO.: X-X8821WR-XXS-N0SN
APPD	SIZE: A4	WEIGHT
		SHEET
		REVISION
		1/1
		A0



XKB INDUSTRIAL PRECISION CO.,LIMITED

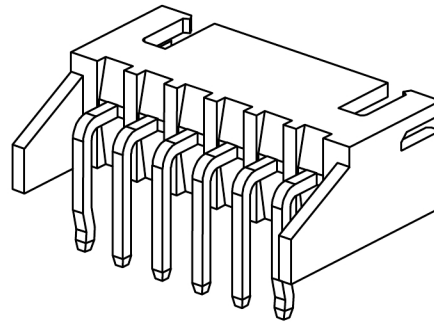
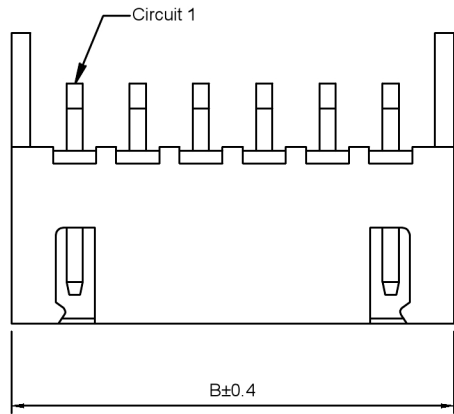
广东星坤科技股份有限公司

Δx	日期
Δx	日期
Δx	日期
MARK	DESCRIPTION

文件工程章

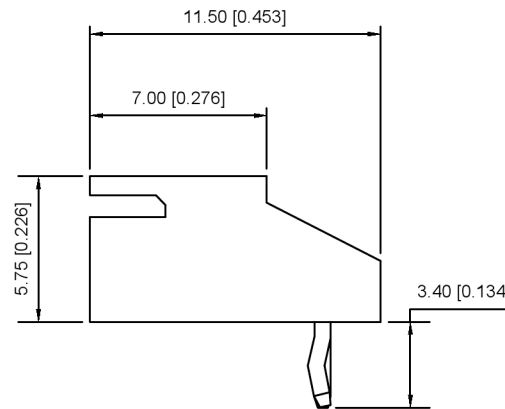
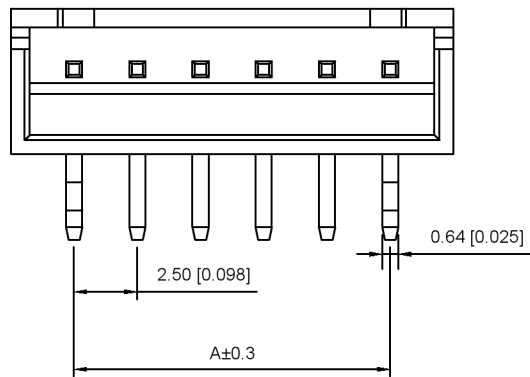
REVISIONS	UNSPECIFIED TOLERANCES
ANGLAR ±5°	
L ≤ 4 ±0.2	
4 < L ≤ 16 ±0.3	
16 < L ≤ 63 ±0.4	
L > 63 ±0.5	

www.helloxkb.com www.helloxkb.cn www.xk-dg.cn



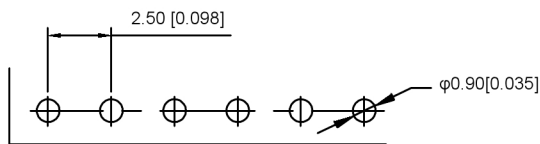
Specifications :

- Voltage rating: 250V AC / DC
- Current rating: 3A AC / DC
- Withstanding voltage: 1000V AC/minute
- Temperature range: -40°C~+85°C
- Insulation resistance: ≥1000M Ω
- Contact resistance: ≤10mΩ
- After environmental testing : ≤20mΩ



X8821 WR-XX K-XX SN
① ② ③ ④ ⑤ ⑥ ⑦

- ① Series No.
- ② Category : W-WAFER
- ③ Wedding Board Angle : R-Straight 90°
- ④ Row No.-Pin No.: XX-02P~20P
- ⑤ Plug the Pin & Special No.:K-KINK
- ⑥ Material : N0-PA66;46-PA46 94V-0
- ⑦ Plating Category: Sn-Bright Tin Plating



Recommended P.C.B Layout
General Tolerance±0.05

Poles	Dimensions(mm)		Poles	Dimensions(mm)	
	A	B		A	B
02	2.50	7.50	12	27.50	32.50
03	5.00	10.00	13	30.00	35.00
04	7.50	12.50	14	32.50	37.50
05	10.00	15.00	15	35.00	40.00
06	12.50	17.50	16	37.50	42.50
07	15.00	20.00	17	40.00	45.00
08	17.50	22.50	18	42.50	47.50
09	20.00	25.00	19	45.00	50.00
10	22.50	27.50	20	47.50	52.50
11	25.00	30.00			

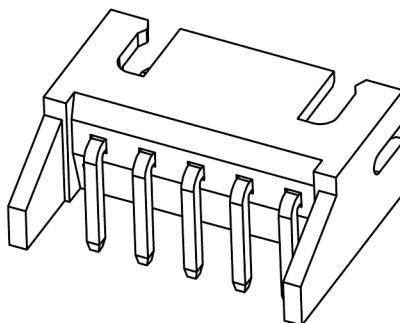
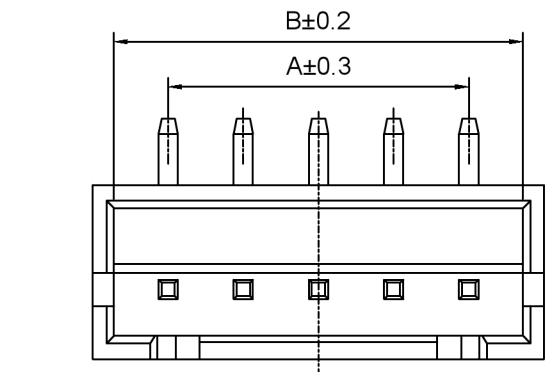
X8821WR-XXK-46SN	PA46 UL 94V-0	Brass	Tin-Plated	X8821H
X8821WR-XXK-N0SN	Nylon 66 UL 94V-0			
PART NO	Material	Material(pin)	Finish(pin)	Suitable XKB Terminal

DSND		DATE		SCALE: N/A	MODEL TYPE: 2.5mm Crimp Style Connectors
DWN		DATE		VIEW:	PART NO.: X8821WR-XXK-XXSN
CHKD		DATE		UNIT: mm/in	DWG NO.: X-X8821WR-XXK-XXSN
APPD		DATE		SIZE: A4	WEIGHT
XKB INDUSTRIAL PRECISION CO., LIMITED					SHEET
					REVISION
					1/1
					A0

广东星坤科技股份有限公司

文件工程章

MARK	DESCRIPTION	DATE	REVISED	APPROVED	UNSPECIFIED TOLERANCES
ΔX					ANGULAR ±5°
△X					L ≤ 4 ±0.2
∇X					4 < L ≤ 16 ±0.3
					16 < L ≤ 63 ±0.4
					L > 63 ±0.5



Specifications:

规格:

Voltage rating:250V AC/DC

额定电压: 250V AC/DC

Current rating:3A AC/DC

额定电流: 3A AC/DC

Withstanding voltage:1000V AC/minute

耐受电压: 1000V AC/分钟

Temperature range:-25℃~+105℃

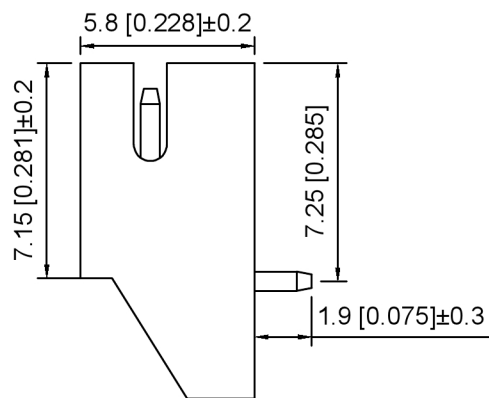
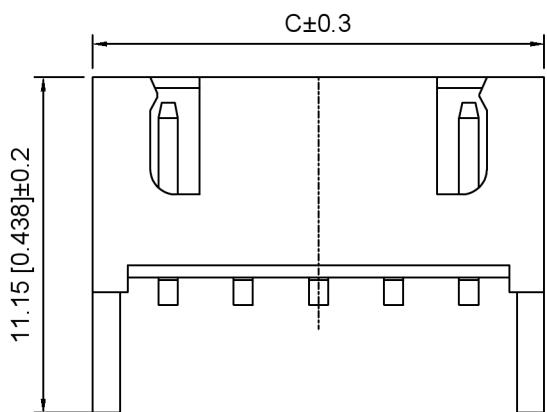
温度范围: -25℃~+105℃

Insulation resistance:≥1000MΩ

绝缘电阻: ≥1000MΩ

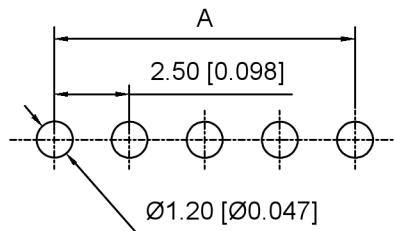
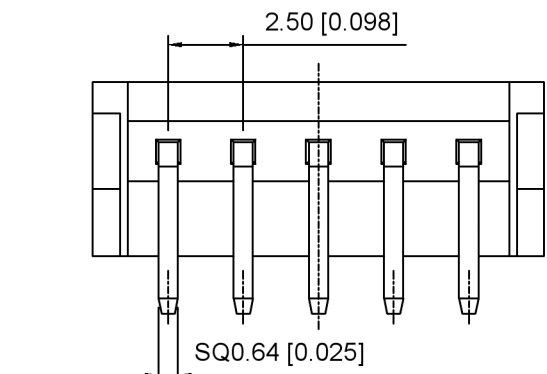
Contact resistance:≤20mΩ

接触电阻: ≤20mΩ



X8821 W R - XX K R - LP SN
 ① ② ③ ④ ⑤ ⑥ ⑦ ⑧

- 1.Series No
- 2.Category:W-Wafer
- 3.Welding Board Angle:R-Stright 90°
- 4.Row No.Pin No:XX-02~16Pin
- 5.Special No:K-No Key Feet
- 6.Special No:R-DIP 2.2mm
- 7.Material:LP-LCP UL94V-0 ,Natural
- 8.Plating:SN- Tin Plated



Recommended PCB Layout(Top view)
Tolerance:±0.05mm

Poles	Dimensions (mm)			Poles	Dimensions (mm)		
	A	B	C		A	B	C
02	2.50	6.10	7.50	10	22.50	26.10	27.50
03	5.00	8.60	10.00	11	25.00	28.60	30.00
04	7.50	11.10	12.50	12	27.50	31.10	32.50
05	10.00	13.60	15.00	13	30.00	33.60	35.00
06	12.50	16.10	17.50	14	32.50	36.10	37.50
07	15.00	18.60	20.00	15	35.00	38.60	40.00
08	17.50	21.10	22.50	16	37.50	41.10	42.50
09	20.00	23.60	25.00				

X8821WR-XXKR-LPSN	LCP	Brass	X8821H
PART NO	Material	Material(Pin)	Suitable XKB Housing

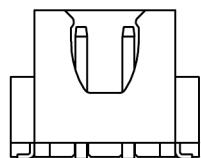
DSND		SCALE: N/A	MODEL TYPE: 2.5mm Crimp Style Connector
DWN		VIEW:	PART NO.: X8821WR-XXKR-LPSN
CHKD		UNIT: mm/in	DWG NO.: X-X8821WR-XXKR-LPSN
APPD		SIZE: A4	WEIGHT SHEET REVISION
			1/1 A0



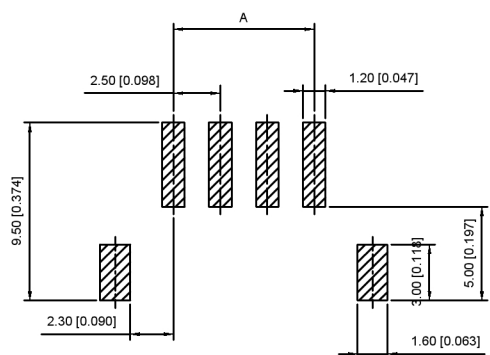
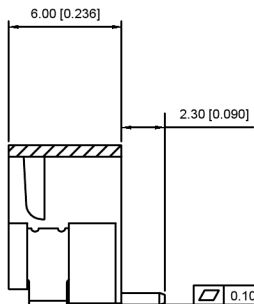
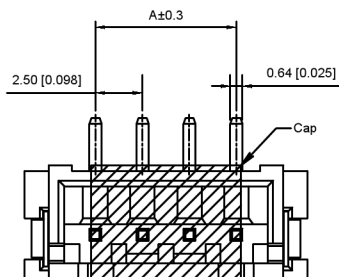
XKB INDUSTRIAL PRECISION CO., LIMITED

广东星坤科技股份有限公司

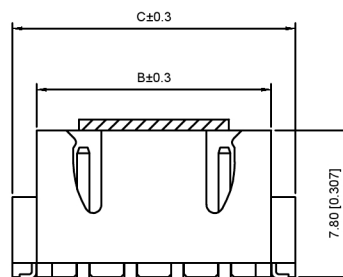
MARK	DESCRIPTION	DATE	REVISED	APPROVED	UNSPECIFIED TOLERANCES
Δ	日期				ANGLAR ±5°
Δ					L ≤ 4 ±0.2
Δ					4 < L ≤ 16 ±0.3
					16 < L ≤ 63 ±0.4
					L > 63 ±0.5



2P Shape
SCALE 1:1



Recommended P.C.B Layout
General Tolerance±0.05



3P~16P Shape
SCALE 1:1

Specifications :

- Voltage rating: 250V AC / DC
- Current rating: 3A AC / DC
- Withstanding voltage: 1000V AC/minute
- Temperature range: -40°C~+85°C
- Insulation resistance: ≥1000M Ω
- Contact resistance: ≤10mΩ
- After environmental testing : ≤20mΩ

X8821 W V S-XX - 9T SN
① ② ③ ④ ⑤ ⑥ ⑦

- Series No.
- Category : W-WAFER
- Wedding Board Angle : V-Stright 180°
- Welding Way:S-SMT
- Row No.-Pin No.: XX-02P~20P
- Material : 9T-PA9T 94V-0
- Plating Category: Sn-Bright Tin Plating

Poles	Dimensions(mm)			Poles	Dimensions(mm)		
	A	B	C		A	B	C
02	2.50	7.45	10.00	12	27.50	32.45	35.00
03	5.00	9.95	12.50	13	30.00	34.95	37.50
04	7.50	12.45	15.00	14	32.50	37.45	40.00
05	10.00	14.45	17.50	15	35.00	39.95	42.50
06	12.50	17.45	20.00	16	37.50	42.45	45.00
07	15.00	19.95	22.50				
08	17.50	22.45	25.00				
09	20.00	24.95	27.50				
10	22.50	27.45	30.00				
11	25.00	29.95	32.50				

X8821WVS-XX-9TSN	PA9T UL 94V-0	Brass	Tin-Plated	X8821H
PART NO	Material	Material(pin)	Finish(pin)	Suitable XKB Terminal

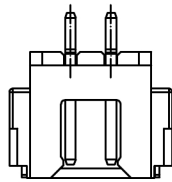
DSND	DATE	SCALE: N/A	MODEL TYPE: 2.5mm Crimp Style Connectors
DWN	DATE	VIEW:	PART NO.: X8821WVS-XX-9TSN
CHKD	DATE	UNIT: mm/in	DWG NO.: X-X8821WVS-XX-9TSN
APPD	DATE	SIZE: A4	WEIGHT
XKB INDUSTRIAL PRECISION CO.,LIMITED			SHEET
			REVISION
			1/1
			A0

广东星坤科技股份有限公司

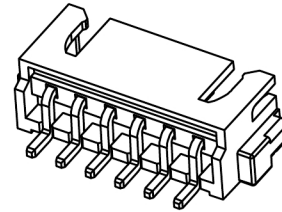
ΔX	日期
ΔX	日期
ΔX	日期
MARK	DESCRIPTION

文件工程章

REVISIONS	DATE	REVISED	APPROVED	UNSPECIFIED TOLERANCES
				ANGLAR ±5°
				≤4 ±0.2
				4<L≤16 ±0.3
				16<L≤63 ±0.4
				L>63 ±0.5

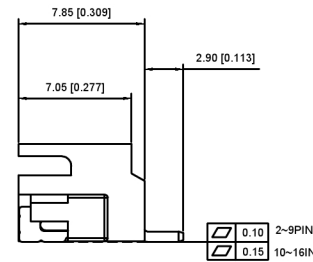
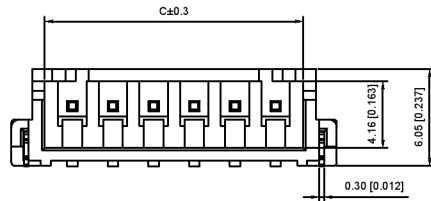


02P Shape
SCALE 1:1



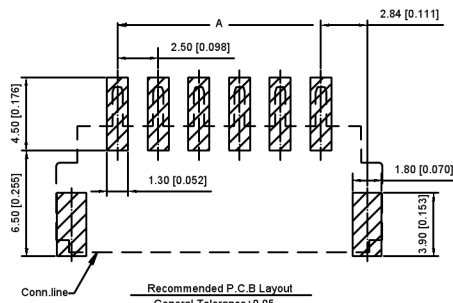
Specifications :

- Voltage rating: 250V AC / DC
- Current rating: 3A AC / DC
- Withstanding voltage: 1000V AC/minute
- Temperature range: -40°C~+85°C
- Insulation resistance: ≥1000M Ω
- Contact resistance: ≤10mΩ
- After environmental testing : ≤20mΩ

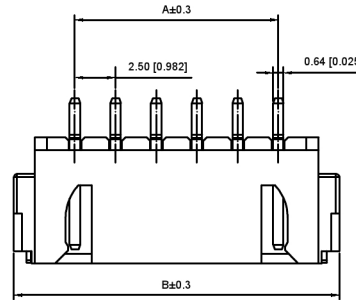


X8821 WRS-XX - 9T SN
① ② ③ ④ ⑤ ⑥ ⑦

- ① Series No.
- ② Category : W-WAFER
- ③ Wedding Board Angle : R-Straight 90°
- ④ Welding Way:S-SMT
- ⑤ Row No.-Pin No.: XX-02P~20P
- ⑥ Material : 9T-PA9T 94V-0
- ⑦ Plating Category: Sn-Bright Tin Plating



Recommended P.C.B Layout
General Tolerance±0.05



3P~16P Shape
SCALE 1:1

Poles	Dimensions(mm)			Poles	Dimensions(mm)		
	A	B	C		A	B	C
02	2.50	10.00	5.90	12	27.50	35.00	30.90
03	5.00	12.50	8.40	13	30.00	37.50	33.40
04	7.50	15.00	10.90	14	32.50	40.00	35.90
05	10.00	17.50	13.40	15	35.00	42.50	38.40
06	12.50	20.00	15.90	16	37.50	45.00	40.90
07	15.00	22.50	18.40				
08	17.50	25.00	20.90				
09	20.00	27.50	23.40				
10	22.50	30.00	25.90				
11	25.00	32.50	28.40				

X8821WRS-XX-9TV01	PA9T UL 94V-0	Brass	Gold-Plated	X8821H
X8821WRS-XX-9TSN			Tin-Plated	
PART NO	Material	Material(pin)	Finish(pin)	Suitable XKB Terminal

广东星坤科技股份有限公司

ΔX	日期
△X	日期
△X	日期
MARK	

文件工程章

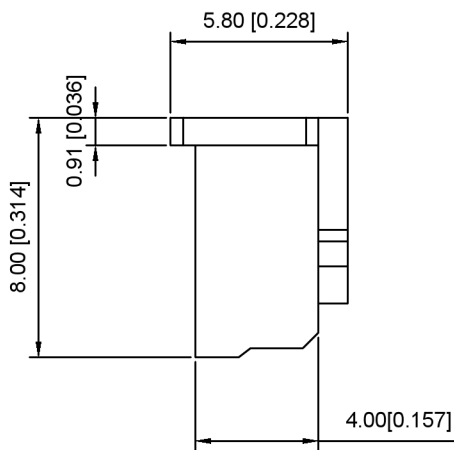
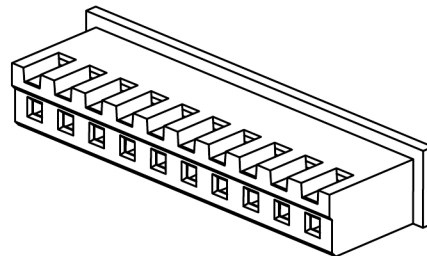
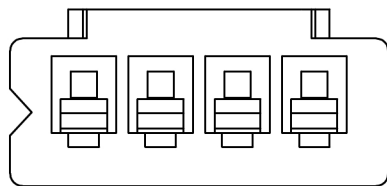
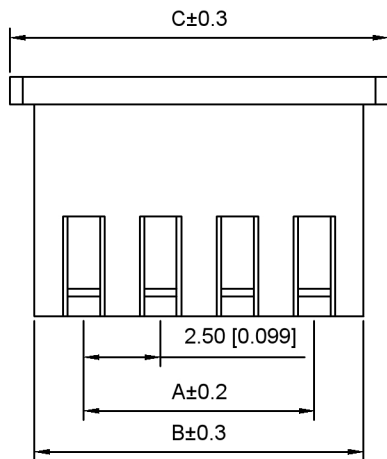
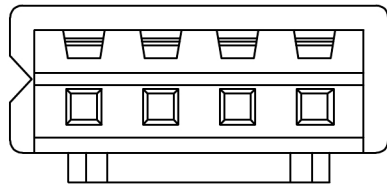
REVISIONS	DESCRIPTION	DATE	REVISED	APPROVED	ANGLAR	TOLERANCES
					±5°	UNSPECIFIED TOLERANCES
					≤4	±0.2
					4<L≤16	±0.3
					16<L≤63	±0.4
					L>63	±0.5

www.xk-dg.cn www.helloxkb.com www.helloxkb.cn

DSND		DATE		SCALE: N/A	MODEL TYPE:
DWN		DATE		VIEW: ④	2.5mm Crimp Style Connectors
CHKD		DATE		UNIT: mm/in	PART NO.:
APPD		DATE		SIZE: A4	X8821WRS-XX-9TSN
					DWG NO.:
					X-X8821WRS-XX-9TSN

XKB INDUSTRIAL PRECISION CO., LIMITED

WEIGHT	SHEET	REVISION
	1/1	A0



■ Specifications :

- Voltage rating: 250V AC / DC
- Current rating: 3A AC / DC
- Withstanding voltage: 1000V AC/minute
- Temperature range: -40°C~+85°C
- Insulation resistance: ≥1000M Ω
- Contact resistance: ≤10mΩ
- After environmental testing : ≤20mΩ

X8821 H XX- N0
① ② ③ ④

- ① Series No.
- ② Category : H-HSG
- ③ Appearance type:Blank-Ordinary
- ④ Row No.-Pin No.: XX-Single Row
- ⑤ Material : N0-PA66 94V-0

Poles	Dimensions(mm)			Poles	Dimensions(mm)		
	A	B	C		A	B	C
02	2.50	5.70	7.50	12	27.50	30.70	32.50
03	5.00	8.20	10.00	13	30.00	33.20	35.00
04	7.50	10.70	12.50	14	32.50	35.70	37.50
05	10.00	13.20	15.00	15	35.00	38.20	40.00
06	12.50	15.70	17.50	16	37.50	40.70	42.50
07	15.00	18.20	20.00				
08	17.50	20.70	22.50				
09	20.00	23.20	25.00				
10	22.50	25.70	27.50				
11	25.00	28.20	30.00				

X8821H-XX-N0	Nyln 66 UL 94V-0	X8821T	X8821W
PART NO	Material	Suitable XKB Terminal	Suitable XKB Terminal

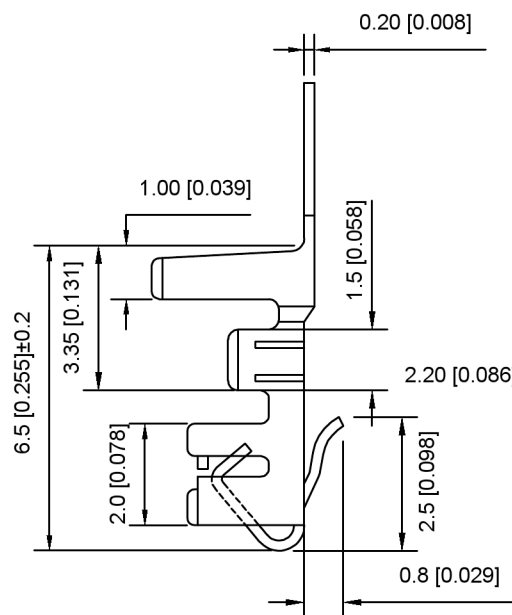
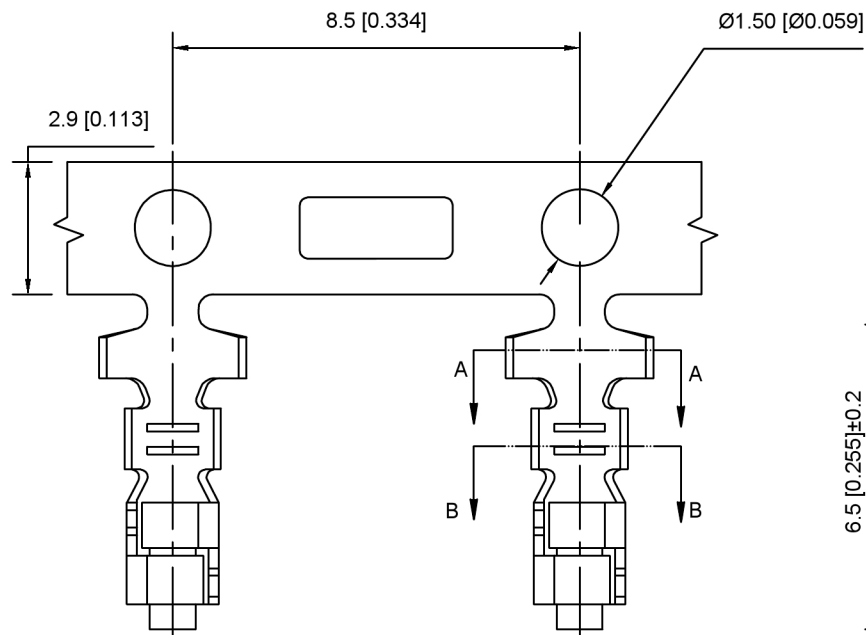
广东星坤科技股份有限公司

Δx	日期
Δx	日期
Δx	日期
MARK	DESCRIPTION

文件工程章

REVISIONS	DATE	REVISED	APPROVED	UNSPECIFIED TOLERANCES
ANGLAR				±5°
≤4				±0.2
4<L≤16				±0.3
16<L≤63				±0.4
L>63				±0.5

DSND	DATE	SCALE: N/A	MODEL TYPE:
DWN	DATE	VIEW:	2.5mm Crimp Style Connectors
CHKD	DATE	UNIT: mm/in	PART NO.:
APPD	DATE	SIZE: A4	X8821H-XX-N0
			DWG NO.:
			X-X8821H-XX-N0
XKB INDUSTRIAL PRECISION CO., LIMITED		WEIGHT	SHEET
			REVISION
		1/1	A0

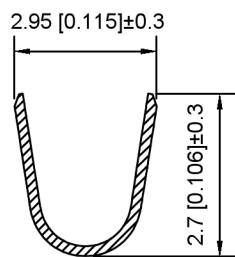


Specifications:

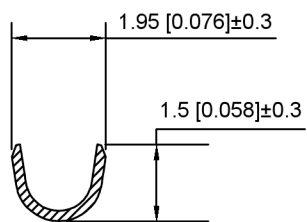
规格:
 Voltage rating:250V AC/DC
 额定电压: 250V AC/DC
 Current rating:3A AC/DC
 额定电流: 3A AC/DC
 Withstanding voltage:1000V AC/minute
 耐受电压: 1000V AC/分钟
 Temperature range:-25°C-+85°C
 温度范围: -25°C-+85°C
 Insulation resistance:1000MΩ min
 绝缘电阻: 1000MΩ Min
 Contact resistance:20mΩ Max
 接触电阻: 20mΩ Max

X8821 T - P SN
 ① ② ③ ④

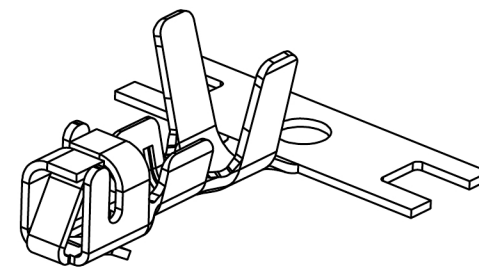
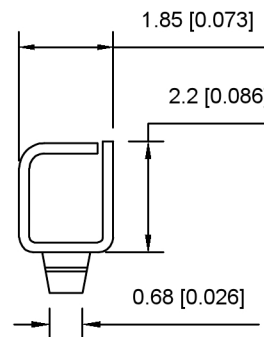
1. Series No
2. Category:T-Terminal
3. Material:P-Phosphor Bronze
4. Plating:SN-Tin Plated



SECTION:A-A
SCALE:1:1



SECTION:B-B
SCALE:1:1



X8821T-PSN	Phosphor Bronze	AWG#22~28	X8821H
PART NO	Material	Wire Range	Suitable XKB Housing

广东星坤科技股份有限公司

Δ建	日期
Δ改	日期
ΔX	日期

MARK DESCRIPTION DATE REVISED APPROVED

ANGLAR	±5°
L ≤ 4	±0.2
4 < L ≤ 16	±0.3
16 < L ≤ 63	±0.4
L > 63	±0.5



DSND	SCALE: N/A	MODEL TYPE: 2.5mm Crimp Style Connector
DWN	VIEW:	PART NO.: X8821T-PSN
CHKD	UNIT: mm/in	DWG NO.: X-X8821T-PSN
APPD	SIZE: A4	

文件工程章

REVISIONS	UNSPECIFIED TOLERANCES
-----------	------------------------

XKB INDUSTRIAL PRECISION CO., LIMITED

WEIGHT	SHEET	REVISION
	1/1	A0