

Recommend PCB Layout

■ Specifications :

- Voltage rating: 250V AC / DC
- Current rating: 7A AC / DC
- Withstanding voltage: 1500V AC/minute
- Temperature range: -25°C~+85°C
- Insulation resistance: ≥1000M Ω
- Contact resistance: ≤10mΩ
- After environmental testing : ≤20mΩ

X8672 W V X - XX X - N2 XX- K2
 ⑩ ⑪ ⑫ ⑬ ⑭ ⑮ ⑯ ⑰ ⑱ ⑲

- ⑩ Series No.
- ⑪ Category : W-wafer
- ⑫ Welding Board Angle:V-180°
- ⑬ Welding Way:Blank-DIP
- ⑭ Row No.-Pin No.:XX-Single row
- ⑮ Plug the Pin
- ⑯ Material :
N2-PA66 94V-2
- ⑰ Planting Category:V** :All Gold-Plated
*01-Gold Flash
SN-Bright tin plating 70-120u"
- ⑱ Special No. :
K2-natural color
Inserted into the board 3.6mm
Terminal long 17.5mm

Poles	Dimensions (mm)		Poles	Dimensions (mm)	
	A	B		A	B
2	3.96	7.32	12	43.56	47.52
3	7.92	11.38	13	47.52	51.48
4	11.88	15.84	14	51.48	55.44
5	15.84	19.80	15	55.44	59.40
6	19.80	23.76	16	59.40	63.36
7	23.76	27.72	17	63.36	67.32
8	27.72	31.68	18	67.32	71.28
9	31.68	35.64	19	71.28	75.24
10	35.64	39.60	20	75.24	79.20
11	39.60	43.56			

PART NO	Material	Material(Pin)	Finish(Pin)	Suitable X KB Terminal	Qty/Bag
X8672WV-XX-N2V01-K2	Nylon 66 UL 94V-2	Brass	Gold-Flash	X8672H	1,000Pcs
X8672WV-XX-N2SN-K2			Tin-Plated		

广东星坤科技股份有限公司

生效

日期

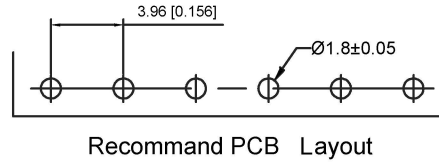
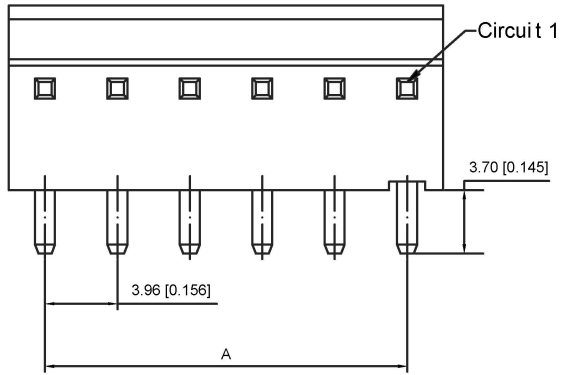
文件工程章

DSND	DATE	SCALE: N/A	MODEL TYPE: X8672WV-XX-N2SN-K2
DWN	DATE	VIEW:	PART NO.:
CHKD	DATE	UNIT: mm/in	3.96mm Crimp Style Connectors
APPD	DATE	SIZE: A4	DWG NO.:
XKB INDUSTRIAL PRECISION CO., LIMITED			WEIGHT: 1.0g
			SHEET: 1/1
			REVISION: A0

REVISIONS

UNSPECIFIED TOLERANCES

www.xk-dg.cn www.helloxkb.com www.helloxkb.cn

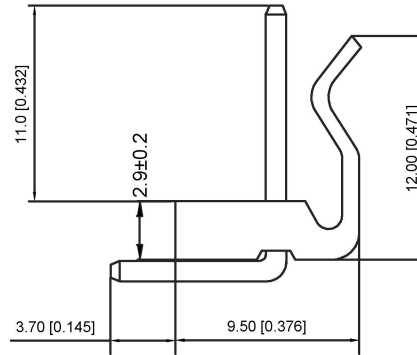
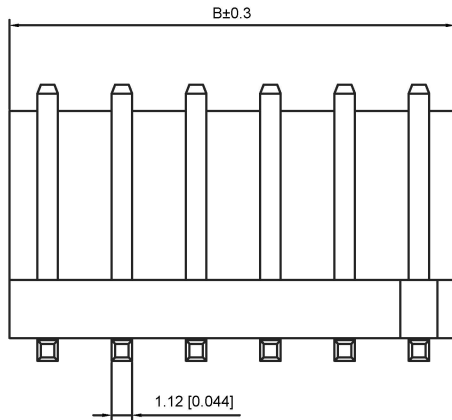


■ Specifications :

- Voltage rating: 250 V AC / DC
- Current rating: 7A AC / DC
- Withstanding voltage: 1500V AC/minute
- Temperature range: -25°C~+85°C
- Insulation resistance: ≥1000M Ω
- Contact resistance: ≤10mΩ
- After environmental testing : ≤20mΩ

X8672 WR - XX - N2 SN
 ① ② ③ ④ ⑤ ⑥

- ① Series No
- ② Category: W-WAFER
- ③ Welding Board Angle : R-90°
- ④ Row No.-Pin No.: XX-Single Row
- ⑤ Material: N2-PA66 94V-2
- ⑥ Plating Category: SN-Bright Tin Plating (70-120u")



Poles	Dimensions (mm)		Poles	Dimensions (mm)	
	A	B		A	B
2	3.96	7.92	12	43.56	47.52
3	7.92	11.88	13	47.52	51.48
4	11.88	15.84	14	51.48	55.44
5	15.84	19.80	15	55.44	59.40
6	19.80	23.76			
7	23.76	27.72			
8	27.72	31.68			
9	31.68	35.64			
10	35.64	39.60			
11	39.60	43.56			

X8672 WR-X-X-N2SN	Nylon 66 UL 94V-2	Brass	Tin-Plated	X8672H	1,000Pcs
PART NO	Material	Material(Pin)	Finish(Pin)	Suitable XKB Terminal	Qty/Bag

广东星坤科技股份有限公司

生效

日期

文件工程章

DESCRIPTION

REVISIONS

DATE

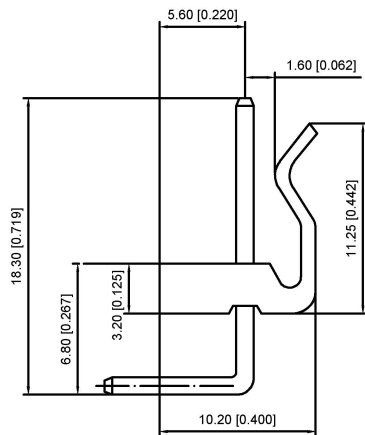
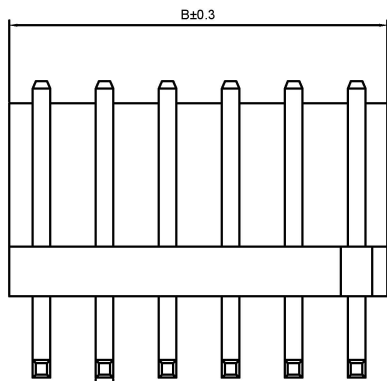
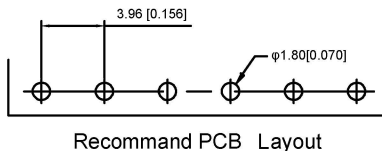
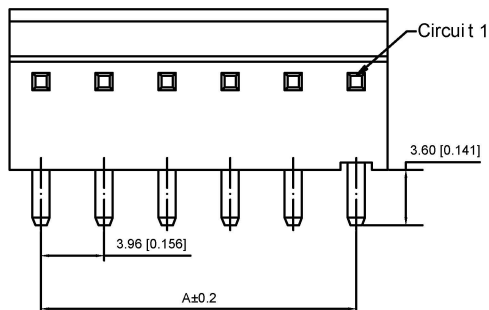
REVISED

APPROVED

ANGULAR	±5°
L ≤ 4	±0.2
4 < L ≤ 16	±0.3
16 < L ≤ 63	±0.4
L > 63	±0.5

UNSPECIFIED TOLERANCES

DSND	DATE	SCALE: N/A	MODEL TYPE: X8672WR-XX-N2SN
DWN	DATE	VIEW:	PART NO.: 3.96mm Crimp Style Connectors
CHKD	DATE	UNIT: mm/in	DWG NO.:
APPD	DATE	SIZE: A4	
XKB INDUSTRIAL PRECISION CO., LIMITED			WEIGHT 1.0g
			SHEET 1/1
			REVISION A0



■ Specifications :

- Voltage rating: 250V AC / DC
- Current rating: 7A AC / DC
- Withstanding voltage: 1500V AC/minute
- Temperature range: -25°C~+85°C
- Insulation resistance: ≥1000M Ω
- Contact resistance: ≤10mΩ
- After environmental testing : ≤20mΩ

X8672 WR-XX A-N2 SN

- ① Series No
- ② Cate gory : W-WAFER
- ③ Welding Board Angle : R-90°
- ④ Row No.-Pin No.: XX-Single Row
- ⑤ Special NO. A-There are graps
- ⑥ Material: N2-PA66 94V-2
- ⑦ Plating Category: SN-Bright Tin Plating (70-120u")

Poles	Dimensions (mm)		Poles	Dimensions (mm)	
	A	E		A	B
2	3.96	7.32	12	43.56	47.52
3	7.92	11.98	13	47.52	51.48
4	11.88	15.84	14	51.48	55.44
5	15.84	19.80	15	55.44	59.40
6	19.80	23.76	16	59.40	63.36
7	23.76	27.72	17	63.36	67.32
8	27.72	31.68	18	67.32	71.28
9	31.68	35.64	19	71.28	75.24
10	35.64	39.60	20	75.24	79.20
11	39.60	43.56			

X8672WR-XXA-N2SN	Nylon 66 UL94V-2	Brass	Tin-Plated	X8672H	1,000Pcs
PART NO	Material	Material(Pin)	Finish(Pin)	Suitable X K B Terminal	Q'ty/Bag

广东星坤科技股份有限公司

生效

ΔX	日期
ΔX	日期
ΔX	日期
MARK	DESCRIPTION

文件工程章

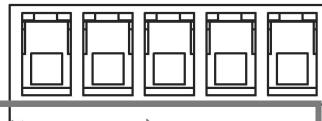
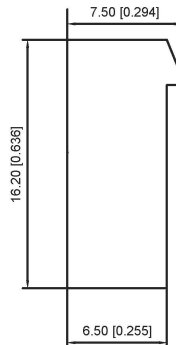
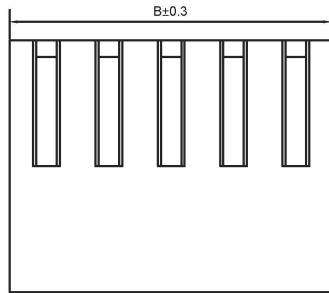
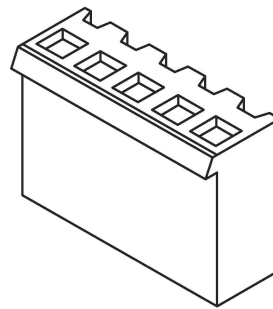
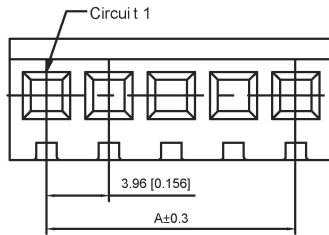
REVISIONS

ANGLAR	±5°
L ≤ 4	±0.2
4 < L ≤ 16	±0.3
16 < L ≤ 63	±0.4
L > 63	±0.5

UNSPECIFIED TOLERANCES

DSND	DATE	SCALE: N/A	MODEL TYPE: X8672WR-XXA-N2SN
DWN	DATE	VIEW:	PART NO.: 3.96mm Crimp Style Connectors
CHKD	DATE	UNIT: mm/in	DWG NO.:
APPD	DATE	SIZE: A4	
XKB INDUSTRIAL PRECISION CO., LIMITED			WEIGHT 1.0g
			SHEET 1/1
			REVISION A0

www.xk-dg.cn www.helloxkb.com www.helloxkb.cn



■ Specifications :

- Voltage rating: 250V AC / DC
- Current rating: 7A AC / DC
- Withstanding voltage: 1500V AC/minute
- Temperature range: -25°C~+85°C
- Insulation resistance: $\geq 1000M \Omega$
- Contact resistance: $\leq 10m\Omega$
- After environmental testing : $\leq 20m\Omega$

X8672 H X-XX X-N2 XX
① ② ③ ④ ⑤ ⑥ ⑦

- ① Series No
- ② Category : H-HSG
- ③ Welding Board Angle : Blank-Ordinary
- ④ Row No.-Pin No.: XX-Single Row
- ⑤ Plug the Pin & Special No.
- ⑥ Material: N2-PA66 94V-2
- ⑦ Color : Blank-Natural Color

Poles	Dimensions (mm)		Poles	Dimensions (mm)	
	A	B		A	B
2	3.96	8.62	12	43.56	48.23
3	7.92	12.59	13	47.52	52.19
4	11.88	16.55	14	51.48	56.15
5	15.84	20.51	15	55.44	60.11
6	19.80	24.47	16	59.40	64.07
7	23.76	28.43	17	63.36	68.03
8	27.72	32.39	18	67.32	71.79
9	31.68	36.35	19	71.28	75.95
10	35.64	40.31	20	75.24	79.91
11	39.60	44.27			

X8672H-XX-N2	Nylon 66 UL 94V-2	X8672T	X8672W
PART NO	Material	Suitable XKB Terminal	Suitable XKB Terminal

广东星坤科技股份有限公司

生效

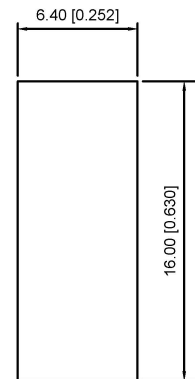
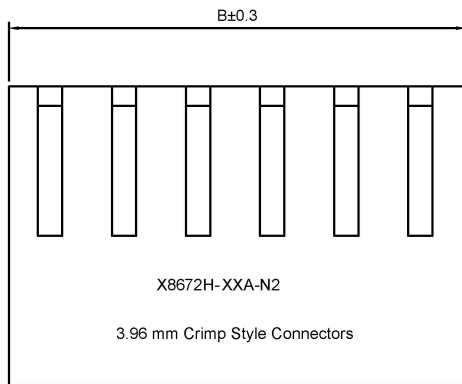
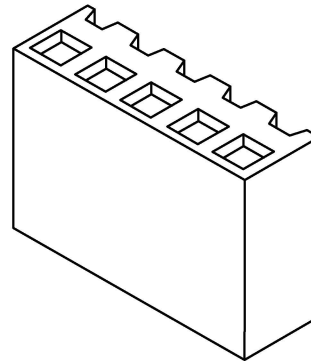
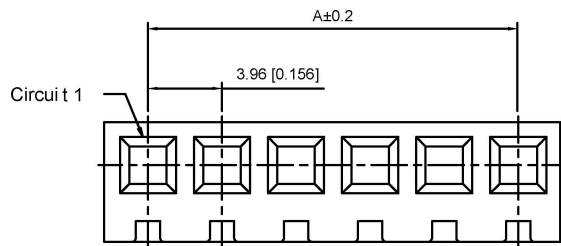
MARK	DESCRIPTION	DATE	REVISED	APPROVED	UNSPECIFIED TOLERANCES
ΔX					ANGLAR ±5°
ΔX					L ≤ 4 ±0.2
ΔX					4 < L ≤ 16 ±0.3
					16 < L ≤ 63 ±0.4
					L > 63 ±0.5

REVISIONS

www.xk-dg.cn www.helloxkb.com www.helloxkb.cn

DSND	DATE	SCALE: N/A	MODEL TYPE:
DWN	DATE	VIEW:	X8672H-XX-N2
CHKD	DATE	UNIT: mm/in	PART NO.: 3.96mm Crimp Style Connectors
APPD	DATE	SIZE: A4	DWG NO.:
XKB INDUSTRIAL PRECISION CO., LIMITED			WEIGHT 1.0g
			SHEET 1/1
			REVISION A0

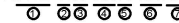
文件工程章



■ Specifications :

- Voltage rating: 250V AC / DC
- Current rating: 7A AC / DC
- Withstanding voltage: 1500V AC/minute
- Temperature range: -25°C~+85°C
- Insulation resistance: $\geq 1000M \Omega$
- Contact resistance: $\leq 10m\Omega$
- After environmental testing : $\leq 20m\Omega$

X8672 H X- XX A -N2 XX



- ① Series No
- ② Category:
H-HSG
- ③ Welding Board Angle:
Blank-Ordinary
- ④ Row No.-Pin No.:
XX-Single Row
- ⑤ Special No:
A-Flat on both sides
- ⑥ Material:
N2-PA66 94V-2
- ⑦ Color:
Blank-Natural Color

Poles	Dimensions (mm)		Poles	Dimensions (mm)	
	A	B		BA	BA
2	3.96	8.43	12	43.56	48.03
3	7.92	12.39	13	47.52	51.99
4	11.88	16.35	14	51.48	55.95
5	15.84	20.31	15	55.44	59.91
6	19.80	24.27	16	59.40	63.87
7	23.76	28.23	17	63.36	67.83
8	27.72	32.19	18	67.32	71.79
9	31.68	36.15	19	71.28	75.75
10	35.64	40.11	20	75.24	79.71
11	39.60	44.07			

X8672H-XXA-N2	Nylon 66 UL 94V-2	X8672T	X8672W	1,000Pcs
PART NO	Material	Suitable XKB Terminal	Suitable XKB Terminal	Q'ty/Bag

广东星坤科技股份有限公司

生效

ΔX	日期
ΔX	日期
ΔX	日期
MARK	DESCRIPTION

REVISIONS

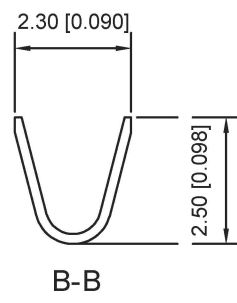
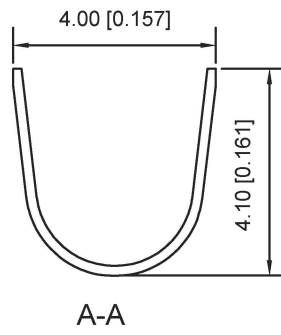
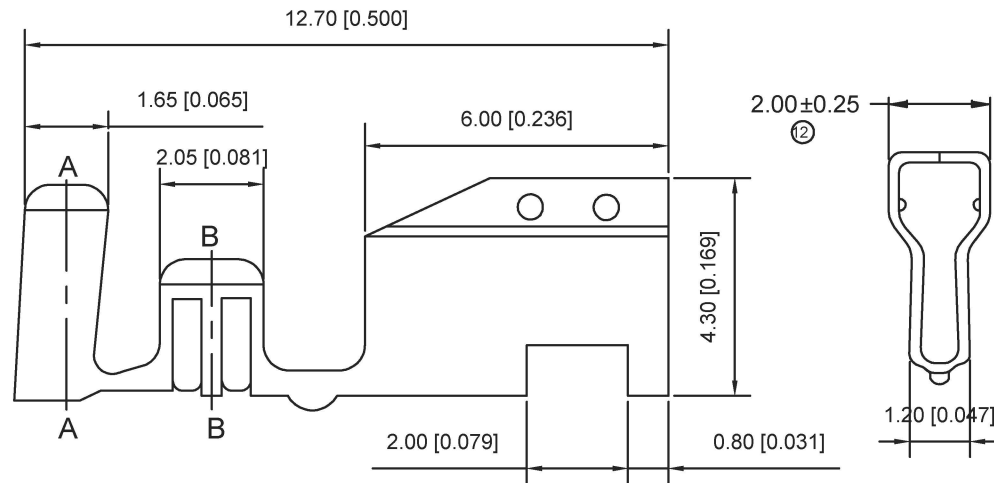
www.xk-dg.cn www.helloxkb.com www.helloxkb.cn

ANGLAR	±5°
L ≤ 4	±0.2
4 < L ≤ 16	±0.3
16 < L ≤ 63	±0.4
L > 63	±0.5

UNSPECIFIED TOLERANCES

DSND	DATE	SCALE: N/A	MODEL TYPE: X8672H-XXA-N2
DWN	DATE	VIEW:	PART NO.: 3.96mm Crimp Style Connectors
CHKD	DATE	UNIT: mm/in	DWG NO.:
APPD	DATE	SIZE: A4	
XKB INDUSTRIAL PRECISION CO., LIMITED			WEIGHT 1.0g
			SHEET 1/1
			REVISION A0

文件工程章



■ Specifications :

- Voltage rating: 250V AC / DC
- Current rating: 7A AC / DC
- Withstanding voltage: 1500V AC/minute
- Temperature range: -25°C~+85°C
- Insulation resistance: $\geq 1000M \Omega$
- Contact resistance: $\leq 10m\Omega$
- After environmental testing : $\leq 20m\Omega$

X8672 T X-X SN X-B
① ② ③ ④ ⑤ ⑥ ⑦

- ① Series No
- ② Category :
T-Terminal
- ③ Welding Board Angle ;
Blank-Normal Leads
- ④ Material:
B-Brass
- ⑤ Plating Category:
SN-Bright Tin Plating (70-120u")
- ⑥ Plating Way:
Blank-Stamping before Plating
B-Plating before Stamping
- ⑦ Special No:
B-Match X8672H-XXB HSG

X8672T-BSN-B	Brass	AWG#18-24	2.80mm(Ma x)	Stamping Before Plating: 50u" MIN. Ni;70u" MIN. Sn	X8672H-B	10,000Pcs
X8672T-PSN-B	Phosphor Bronze					
PART NO	Material	Wire Range	Insulation O. D.	Finish	Suitable X K B Terminal	Qty/Rel1

广东星坤科技股份有限公司

生效

ΔX	日期
ΔX	日期
ΔX	日期
MARK	DESCRIPTION

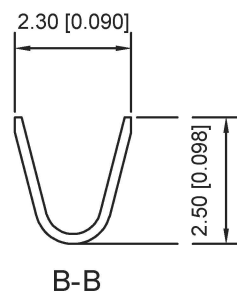
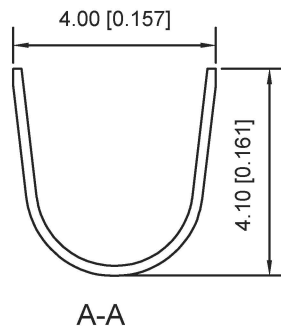
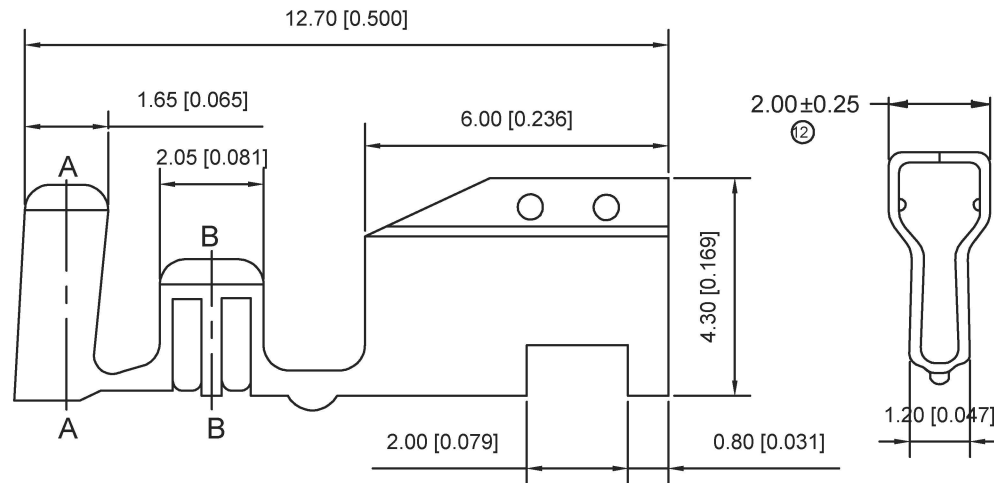
REVISIONS

DATE	REVISED	APPROVED	UNSPECIFIED TOLERANCES
------	---------	----------	------------------------

DSND	DATE	SCALE: N/A	MODEL TYPE: X8672T-XXX-B
DWN	DATE	VIEW:	PART NO.: 3.96mm Crimp Style Connectors
CHKD	DATE	UNIT: mm/in	DWG NO.:
APPD	DATE	SIZE: A4	
XKB INDUSTRIAL PRECISION CO., LIMITED			WEIGHT 1.0g
			SHEET 1/1
			REVISION A0

文件工程章

www.xk-dg.cn www.helloxkb.com www.helloxkb.cn



■ Specifications :

- Voltage rating: 250V AC / DC
- Current rating: 7A AC / DC
- Withstanding voltage: 1500V AC/minute
- Temperature range: -25°C~+85°C
- Insulation resistance: ≥1000M Ω
- Contact resistance: ≤10mΩ
- After environmental testing : ≤20mΩ

X8672 T X-X SN X-B
① ② ③ ④ ⑤ ⑥ ⑦

- ① Series No
- ② Category :
T-Terminal
- ③ Welding Board Angle ;
Blank-Normal Leads
- ④ Material:
B-Brass
- ⑤ Plating Category:
SN-Bright Tin Plating (70-120u")
- ⑥ Plating Way:
Blank-Stamping before Plating
B-Plating before Stamping
- ⑦ Special No:
B-Match X8672H-XXB HSG

X8672T-BSN-B	Brass	AWG#18-24	2.80mm(Ma x)	Stamping Before Plating: 50u" MIN. Ni;70u" MIN. Sn	X8672H-B	10,000Pcs
X8672T-PSN-B	Phosphor Bronze					
PART NO	Material	Wire Range	Insulation O. D.	Finish	Suitable X K B Terminal	Qty/Rel1

广东星坤科技股份有限公司

生效

ΔX	日期
ΔX	日期
ΔX	日期
MARK	DESCRIPTION

REVISIONS	DATE	REVISED	APPROVED	UNSPECIFIED TOLERANCES

DSND	DATE	SCALE: N/A	MODEL TYPE: X8672T-XXX-B
DWN	DATE	VIEW:	PART NO.: 3.96mm Crimp Style Connectors
CHKD	DATE	UNIT: mm/in	DWG NO.:
APPD	DATE	SIZE: A4	
XKB INDUSTRIAL PRECISION CO., LIMITED			WEIGHT 1.0g
			SHEET 1/1
			REVISION A0

文件工程章

www.xk-dg.cn www.helloxkb.com www.helloxkb.cn