

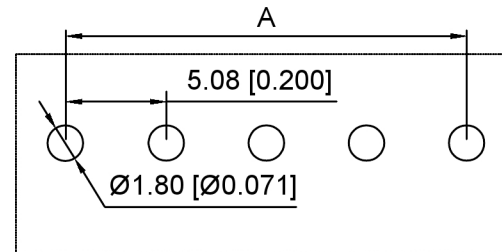
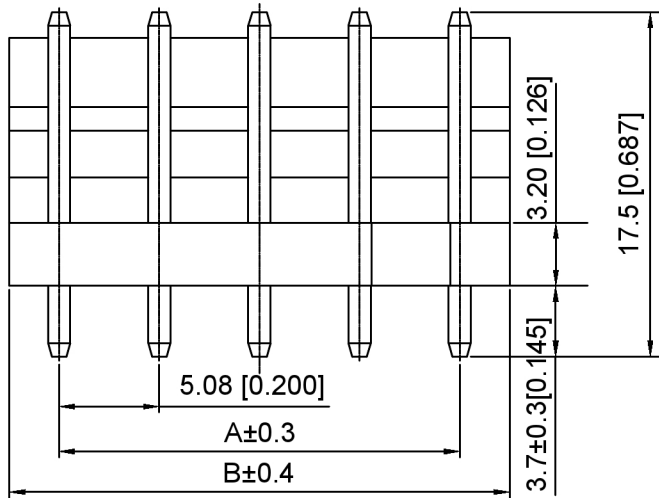
3D图示 (参考)

■ Specifications :

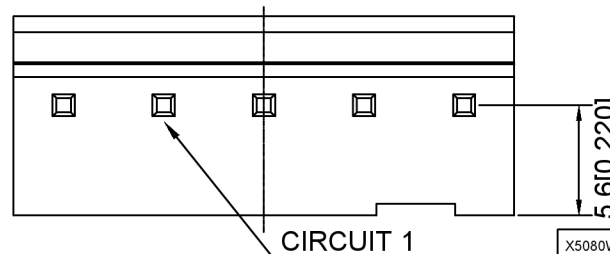
1. Voltage rating: 250V AC / DC
2. Current rating: 5A AC / DC
3. Withstanding voltage: 1500V AC/minute
4. Temperature range: -25°C~+85°C
5. Insulation resistance: 1000MΩ
6. Contact resistance: 0.02Ω Max
7. Material: Nylon 66
Contact Pin: Brass

X5080 W V -XX- N0 SN
① ② ③ ④ ⑤ ⑥

- ① Series No.
- ② Category : W-WAFER
- ③ Wedding Board Angle : V-Stright 180°
- ④ Row No.Pin No.XX-02-12
- ⑤ Material:N0-Nylon66 94V-0
- ⑥ Planting Category:SN-Bright tin plating



PCB安装尺寸图



PIN	A	B
2	5.08	10.16
3	10.16	15.24
4	15.24	20.32
5	20.32	25.40
6	25.40	30.48
7	30.48	35.56
8	35.56	40.64
9	40.64	45.72
10	45.72	50.80
11	50.80	55.88
12	55.88	60.96

X5080WV-XX-N0SN	Nylon66 UL 94V-0	Brass	Tin-Plated	X5080H
PART NO	Material	Material(Pin)	Finsh(Pin)	Suitable XKB Housing

广东星坤科技股份有限公司

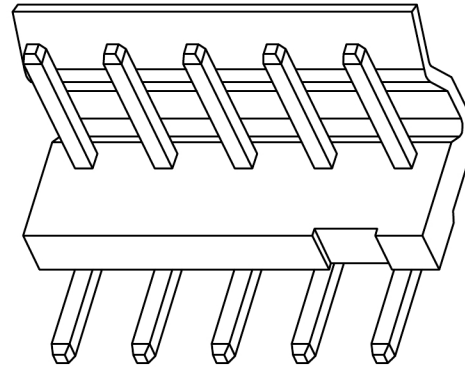
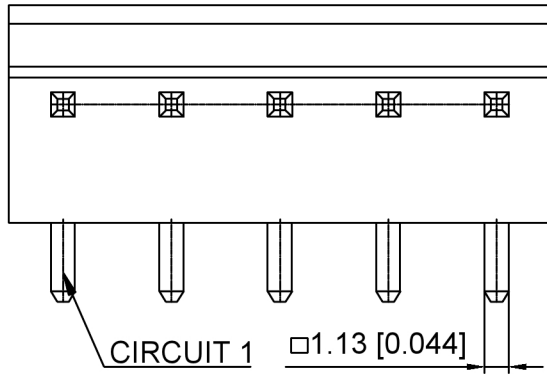
生效 日期

文件工程章

DSND	SCALE: N/A	MODEL TYPE: 5.08mm Crimp Style Connectors
DWN	VIEW:	PART NO.: X5080WV-XX-N0SN
CHKD	UNIT: mm/in	DWG NO.: X-X5080WV-XX-N0SN
APPD	SIZE: A4	WEIGHT SHEET REVISION



XKB INDUSTRIAL PRECISION CO.,LIMITED



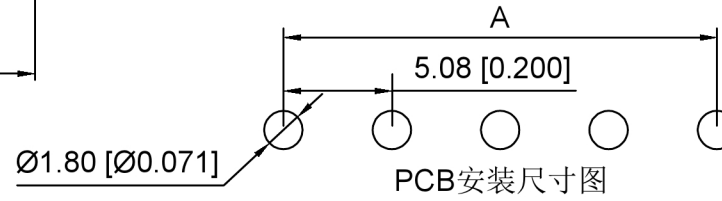
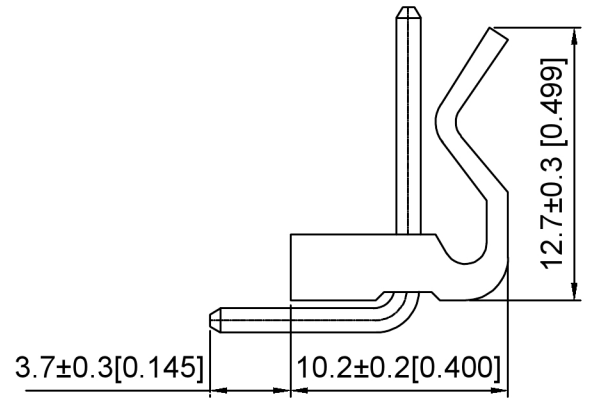
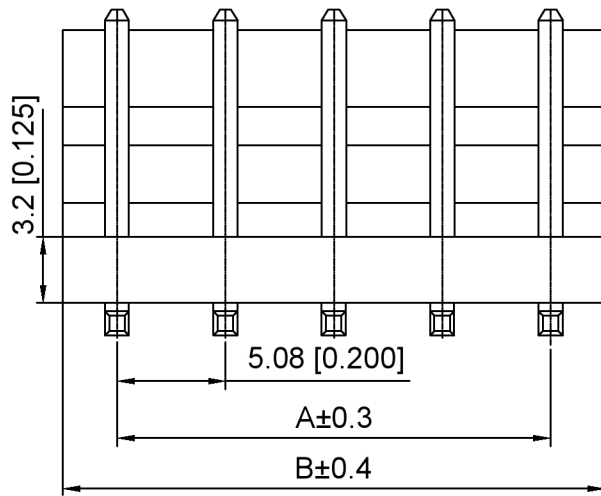
3D图示 (参考)

Specifications :

- 1.Voltage rating: 250V AC / DC
- 2.Current rating: 5A AC / DC
- 3.Withstanding voltage: 1500V AC/minute
- 4.Temperature range: -25°C~+85°C
- 5.Insulation resistance: 1000MΩ
- 6.Contact resistance: 0.02Ω Max
- 7.Material: Nylon 66
Contact Pin: Brass

X5080 WR -XX- N0 SN
① ② ③ ④ ⑤ ⑥

- ① Series No.
- ② Category : W-WAFER
- ③ Wedding Board Angle : R-Straight 90°
- ④ Row No.Pin No.XX-02-12
- ⑤ Material:N0-Nylon66 94V-0
- ⑥ Planting Category:SN-Bright tin plating



PIN	A	B
2	5.08	10.16
3	10.16	15.24
4	15.24	20.32
5	20.32	25.40
6	25.40	30.48
7	30.48	35.56
8	35.56	40.64
9	40.64	45.72
10	45.72	50.80
11	50.80	55.88
12	55.88	60.96

X5080WR-XX-N0SN	Nylon66 UL 94V-0	Brass	Tin-Plated	X5080H
PART NO	Material	Material(Pin)	Finish(Pin)	Suitable XKB Housing

广东星坤科技股份有限公司

生效日期

文件工程章

REVISIONS

DATE REVISED APPROVED

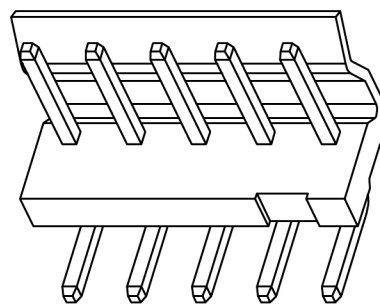
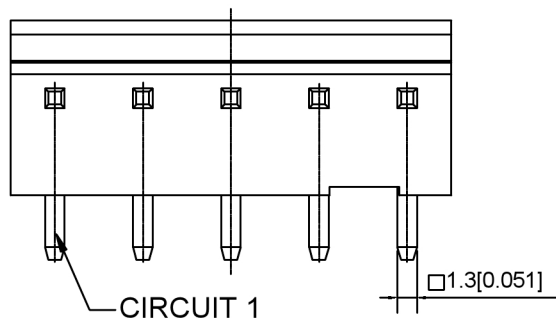
UNSPECIFIED TOLERANCES

ANGLAR	±5°
L ≤ 4	±0.2
4 < L ≤ 16	±0.3
16 < L ≤ 63	±0.4
L > 63	±0.5

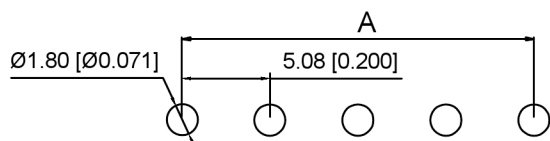
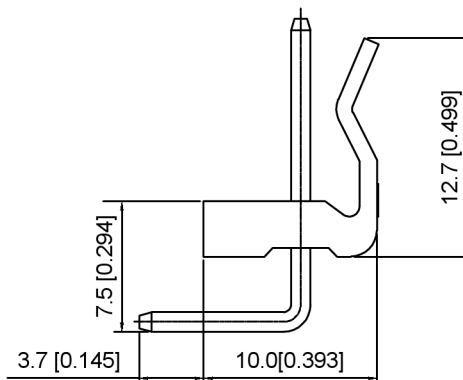
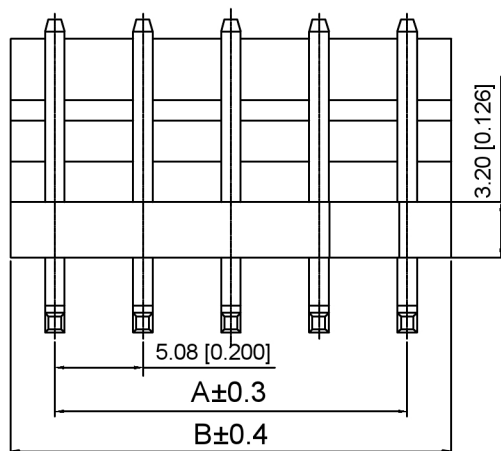


DSND	SCALE: N/A	MODEL TYPE: 5.08mm Crimp Style Connectors
DWN	VIEW:	PART NO.: X5080WR-XX-N0SN
CHKD	UNIT: mm/in	DWG NO.: X-X5080WR-XX-N0SN
APPD	SIZE: A4	WEIGHT SHEET REVISION 1/1 A0

XKB INDUSTRIAL PRECISION CO., LIMITED



3D图示 (参考)



Specifications :

- 1.Voltage rating: 250V AC / DC
- 2.Current rating: 5A AC / DC
- 3.Withstanding voltage: 1500V AC/minute
- 4.Temperature range: -25°C~+85°C
- 5.Insulation resistance: ≥1000M Ω
- 6.Contact resistance: 0.02Ω Max
- 7.Material: Nylon 66
Contact Pin: Brass

X5080 W R -XX A- N0 SN
① ② ③ ④ ⑤ ⑥ ⑦

- ① Series No.
- ② Category : W-WAFER
- ③ Wedding Board Angle : R-Stright 90°
- ④ Row No.Pin No.XX-02-12
- ⑤ Special No.A-There are gaps
- ⑥ Material:N0-Nylon66 94V-0
- ⑦ Planting Category:SN-Bright tin plating

PIN	A	B
2	5.08	10.16
3	10.16	15.24
4	15.24	20.32
5	20.32	25.40
6	25.40	30.48
7	30.48	35.56
8	35.56	40.64
9	40.64	45.72
10	45.72	50.80
11	50.80	55.88
12	55.88	60.96

X5080WR-XXA-NOS N	Nylon66 UL 94V-0	Brass	Tin-Plated	X5080H
PART NO	Material	Material(Pin)	Finsh(Pin)	Suitable XKB Housing

DSND	SCALE: N/A	MODEL TYPE: 5.08mm Crimp Style Connectors
DWN	VIEW:	PART NO.: X5080WR-XXA-NOSN
CHKD	UNIT: mm/in	DWG NO.: X-X5080WR-XXA-NOSN
APPD	SIZE: A4	WEIGHT SHEET REVISION 1/1 A0

PCB安装尺寸图

广东星坤科技股份有限公司

生	日期
效	
文件工程章	DESCRIPTION

REVISIONS

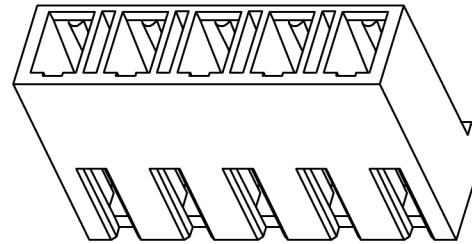
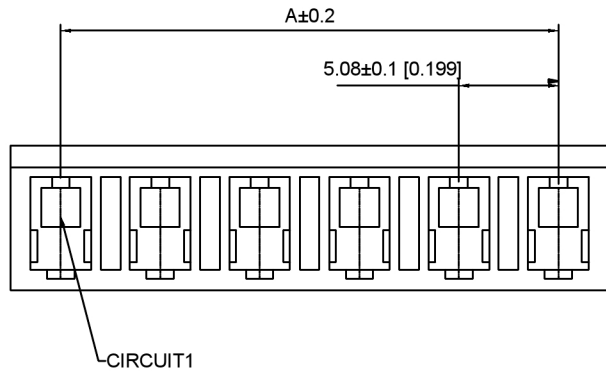
DATE REVISED APPROVED

UNSPECIFIED TOLERANCES

ANGLAR	±5°
L ≤ 4	±0.2
4 < L ≤ 16	±0.3
16 < L ≤ 63	±0.4
L > 63	±0.5

XKIB

XKB INDUSTRIAL PRECISION CO.,LIMITED



3D图示 (参考)

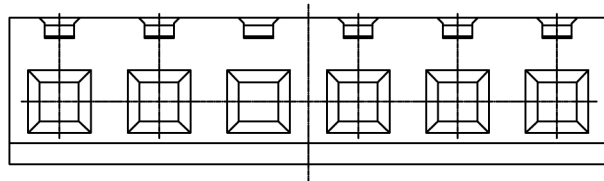
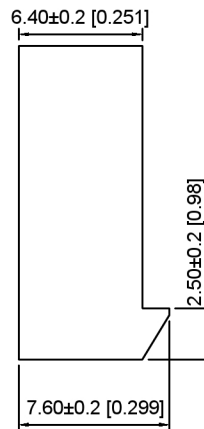
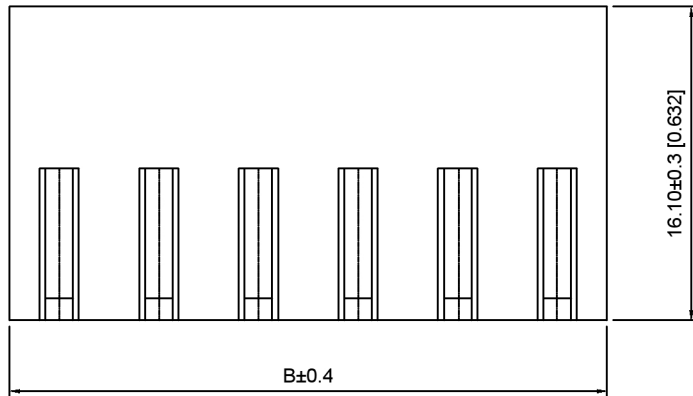
■ Specifications.

- Voltage rating: 250V AC/DC
- Current rating: 5A AC/DC
- Withstanding voltage: 1500V AC/minute
- Temperature range: -25 °C ~ +85 °C
- Insulation resistance: 1000mΩ Min
- Contact resistance: 20mΩ Max
- Material: Nylon66 UL94V-0

X5080 H -XX- N0

① ② ③ ④

- ① Series No.
- ② Category : H-HSG
- ③ Row No.Pin No.XX-02-12
- ④ Material: N0-Nylon66 94V-0



POLES	A	B
2	5.08	10.16
3	10.16	15.24
4	15.24	20.32
5	20.32	25.40
6	25.40	30.48
7	30.48	35.56
8	35.56	40.64
9	40.64	45.72
10	45.72	50.80
11	50.80	55.88
12	55.88	60.96

X5080H-XX-N0	Nylon66 UL 94V-0	X5080T	X5080W
PART NO	Material	Suitable XKB Terminal	Suitable XKB Wafer

广东星坤科技股份有限公司

生 日期
效 日期
文件工程章

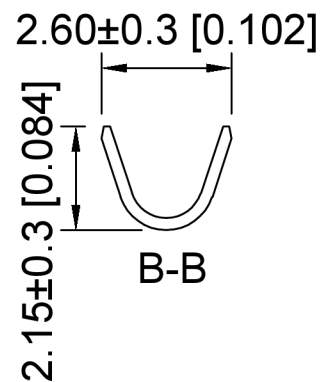
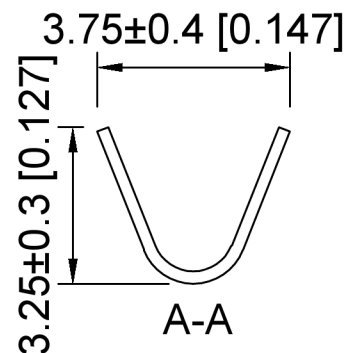
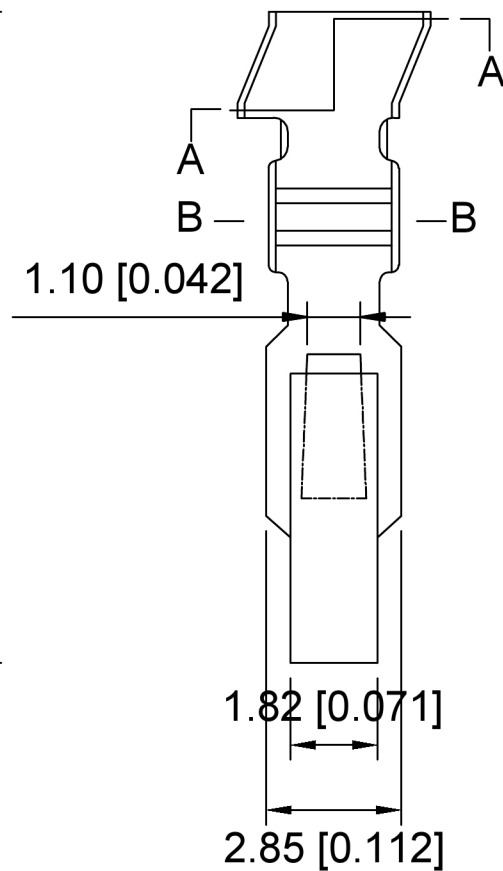
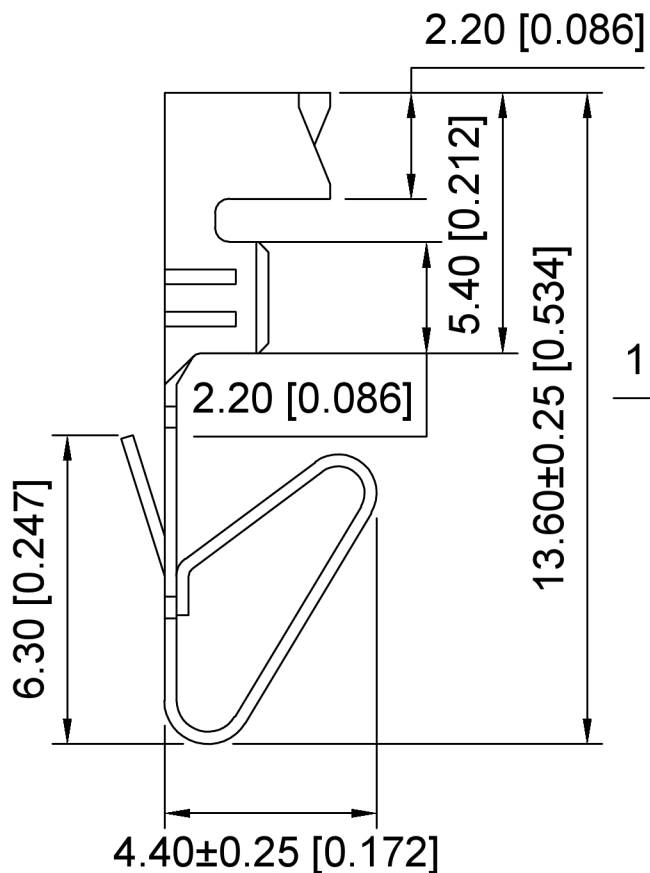
REVISIONS	DATE	REVISED	APPROVED	UNSPECIFIED TOLERANCES

ANGLAR	±5°
L ≤ 4	±0.2
4 < L ≤ 16	±0.3
16 < L ≤ 63	±0.4
L > 63	±0.5



DSND	SCALE: N/A	MODEL TYPE: 5.08mm Crimp Style Connectors
DWN	VIEW:	PART NO.: X5080H-XX-N0
CHKD	UNIT: mm/in	DWG NO.: X-X5080H-XX-N0
APPD	SIZE: A4	WEIGHT SHEET REVISION 1/1 A0

XKB INDUSTRIAL PRECISION CO., LIMITED



■ Specifications.

- Voltage rating: 250V AC/DC
- Current rating: 5A AC/DC
- Withstanding voltage: 1500V AC/minute
- Temperature range: -25 °C ~ +85 °C
- Insulation resistance: 1000mΩ Min
- Contact resistance: 20mΩ Max
- Material: Phosphor bronze Tin-plated
- Applicable Wire Sizes: AWG#18~22

X5080 T -P SN- H
① ② ③ ④ ⑤

- ① Series No.
- ② Category : T-Trrminal
- ③ Material: P-Phosphor bronze
- ④ Plating style: SN-Bright Tin plating
- ⑤ H-High

X5080T-PSN-H	Phosphor bronze	AWG#18-22	TIN Plated	X5080H
PART NO	Material	Wire Range	Finish	Suitable XKB Housing

广东星坤科技股份有限公司

生效日期

文件工程章

ANGLAR	±5°
L ≤ 4	±0.2
4 < L ≤ 16	±0.3
16 < L ≤ 63	±0.4
L > 63	±0.5



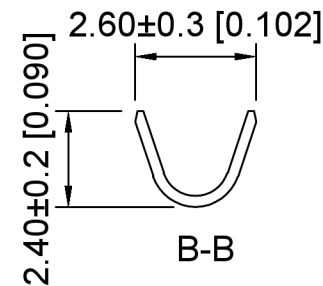
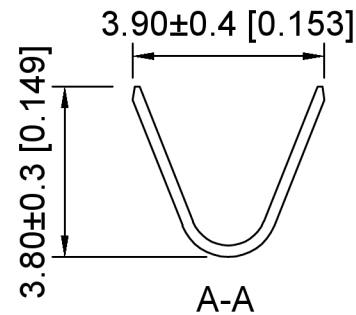
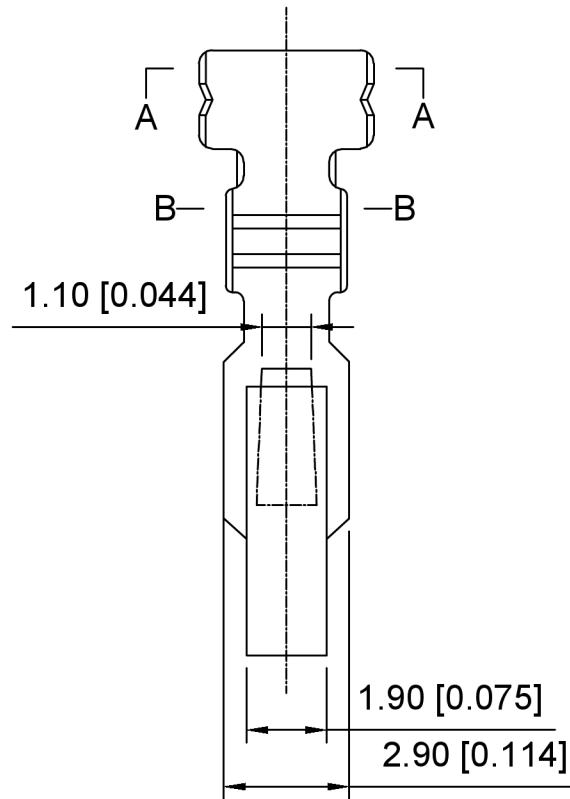
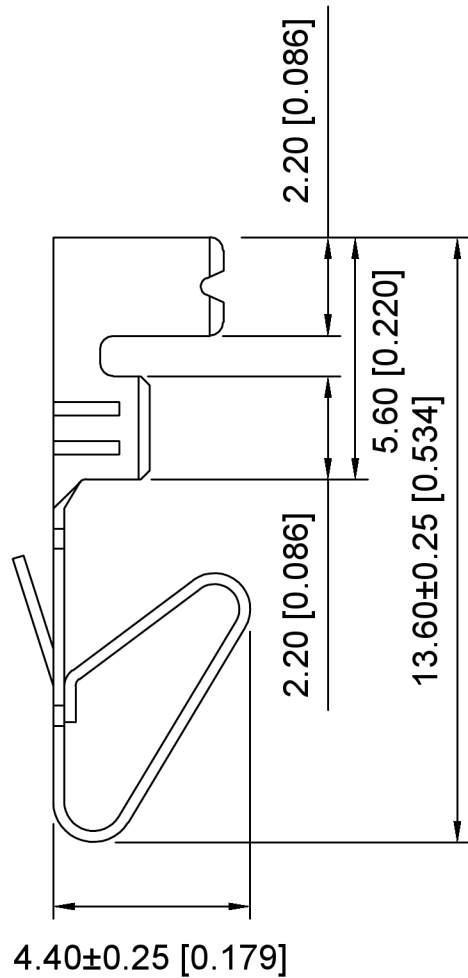
DSND	SCALE: N/A
DWN	VIEW:
CHKD	UNIT: mm/in
APPD	SIZE: A4

MODEL TYPE:	5.08mm Crimp Style Connectors
PART NO.:	X5080T-PSN-H
DWG NO.:	X-X5080T-PSN-H

REVISIONS DATE REVISED APPROVED UNSPECIFIED TOLERANCES

XKB INDUSTRIAL PRECISION CO., LIMITED

WEIGHT	SHEET	REVISION
	1/1	A0



■ Specifications.

- Voltage rating: 250V AC/DC
- Current rating: 5A AC/DC
- Withstanding voltage: 1500V AC/minute
- Temperature range: -25 °C ~ +85 °C
- Insulation resistance: 1000mΩ Min
- Contact resistance: 20mΩ Max
- Material: Phosphor bronze Tin-plated
- Applicable Wire Sizes: AWG#18~22

X5080 T -P SN
① ② ③ ④

- ① Series No.
- ② Category : T-Terminal
- ③ Material: P-Phosphor bronze
- ④ Plating style: SN-Bright Tin plating

X5080T-PSN	Phosphor bronze	AWG#18-22	TIN Plated	X5080H
PART NO	Material	Wire Range	Finish	Suitable XKB Housing

广东星坤科技股份有限公司

生效	日期
文件工程章	

REVISIONS	DATE	REVISED	APPROVED	UNSPECIFIED TOLERANCES
ANGLAR				±5°
L ≤ 4				±0.2
4 < L ≤ 16				±0.3
16 < L ≤ 63				±0.4
L > 63				±0.5



DSND	SCALE: N/A
DWN	VIEW:
CHKD	UNIT: mm/in
APPD	SIZE: A4

MODEL TYPE:	5.08mm Crimp Style Connectors
PART NO.:	X5080T-PSN
DWG NO.:	X-X5080T-PSN