

Recommended P.C.B Layout  
General Tolerances: ±0.30

■ Specifications :

- Voltage rating: 250V AC / DC
- Current rating: 3A AC / DC
- Withstanding voltage: 1000V AC/minute
- Temperature range: -25°C~+85°C
- Insulation resistance: ≥1000M Ω
- Contact resistance: ≤20mΩ
- After environmental testing : ≤30mΩ

X2564 W V-XX - N0 SN  
① ② ③ ④ ⑤ ⑥

- ① Series No.
- ② Category : W-WAFER
- ③ Wedding Board Angle : V-Stright 180°
- ④ Row No.-Pin No.: XX-02P~16P
- ⑤ Material : N0-PA66;46-PA46 94V-0
- ⑥ Plating Category: Sn-Bright Tin Plating

Poles	Dimensions(mm)		Poles	Dimensions(mm)	
	A	B		A	B
02	2.50	7.50	12	27.50	32.50
03	5.00	10.00	13	30.00	35.00
04	7.50	12.50	14	32.50	37.50
05	10.00	15.00	15	35.00	40.00
06	12.50	17.50	16	37.50	42.50
07	15.00	20.00			
08	17.50	22.50			
09	20.00	25.00			
10	22.50	27.50			
11	25.00	30.00			

X2564WV-XX-N0SN	Nylon 66 UL 94V-0	Brass	Tin-Plated	X2564H
PART NO	Material	Material(pin)	Finish(pin)	Suitable XKB Terminal

广东星坤科技股份有限公司

生效

ΔX	日期
ΔX	日期
ΔX	日期
MARK	DESCRIPTION

文件工程章

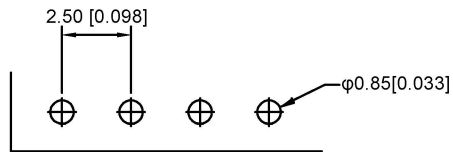
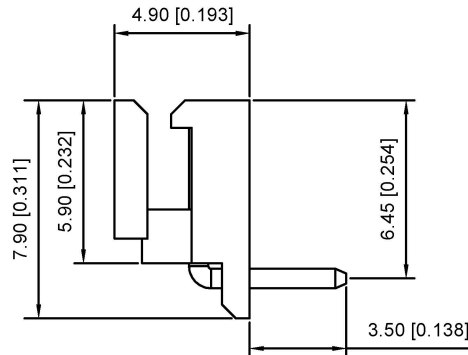
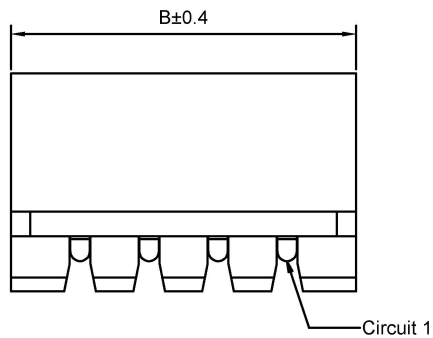
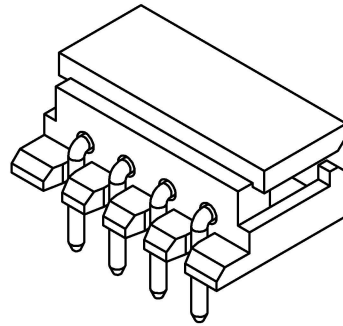
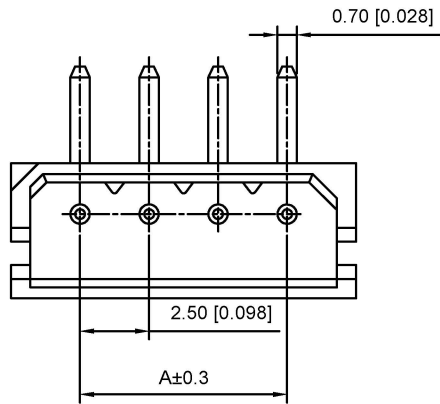
REVISIONS

www.xk-dg.cn www.helloxkb.com www.helloxkb.cn

ANGLAR	±5°
L ≤ 4	±0.2
4 < L ≤ 16	±0.3
16 < L ≤ 63	±0.4
L > 63	±0.5

UNSPECIFIED TOLERANCES

DSND	DATE	SCALE: N/A	MODEL TYPE: X2564WV-XX-N0SN
DWN	DATE	VIEW:	PART NO.: 2.5mm Crimp Style Connectors
CHKD	DATE	UNIT: mm/in	DWG NO.:
APPD	DATE	SIZE: A4	
XKB INDUSTRIAL PRECISION CO., LIMITED			WEIGHT 1.0g
			SHEET 1/1
			REVISION A0



Recommended P.C.B Layout  
General Tolerance±0.05

■ Specifications :

- Voltage rating: 250V AC / DC
- Current rating: 3A AC / DC
- Withstanding voltage: 1000V AC/minute
- Temperature range: -25°C~+85°C
- Insulation resistance: ≥1000M Ω
- Contact resistance: ≤20mΩ
- After environmental testing : ≤30mΩ

X2564 W R-XX - N0 SN  
① ② ③ ④ ⑤ ⑥

- ① Series No.
- ② Category : W-WAFER
- ③ Wedding Board Angle : R-Stright 90°
- ④ Row No.-Pin No.: XX-02P~16P
- ⑤ Material : N0-PA66;46-PA46 94V-0
- ⑥ Plating Category: Sn-Bright Tin Plating

Poles	Dimensions(mm)		Poles	Dimensions(mm)	
	A	B		A	B
02	2.50	7.50	12	27.50	32.50
03	5.00	10.00	13	30.00	35.00
04	7.50	12.50	14	32.50	37.50
05	10.00	15.00	15	35.00	40.00
06	12.50	17.50	16	37.50	42.50
07	15.00	20.00			
08	17.50	22.50			
09	20.00	25.00			
10	22.50	27.50			
11	25.00	30.00			

X2564WR-XX-N0SN	Nylon 66 UL 94V-0	Brass	Tin-Plated	X2564H
PART NO	Material	Material(pin)	Finish(pin)	Suitable XKB Terminal

广东星坤科技股份有限公司

生效

ΔX	日期
ΔX	日期
ΔX	日期
MARK	DESCRIPTION

REVISIONS

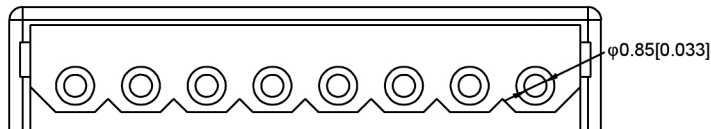
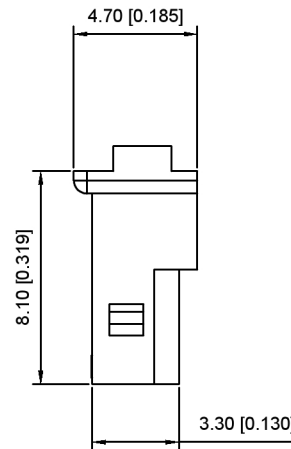
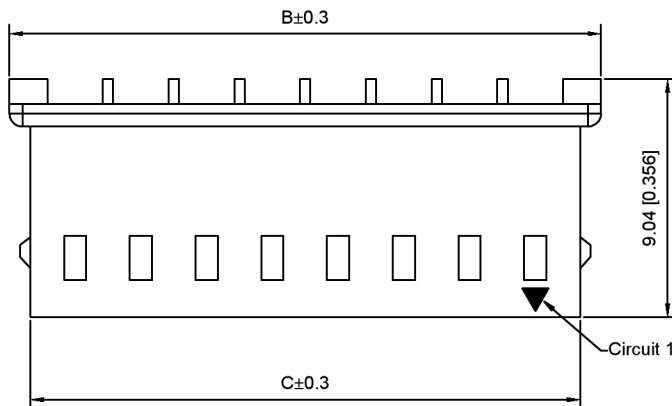
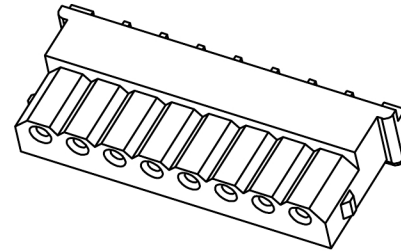
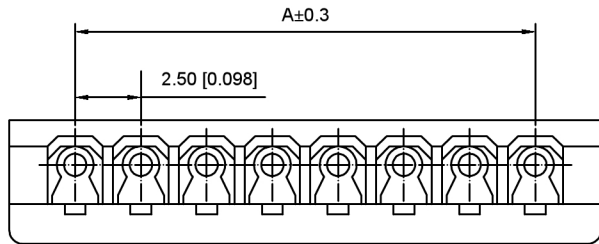
ANGLAR	±5°
L ≤ 4	±0.2
4 < L ≤ 16	±0.3
16 < L ≤ 63	±0.4
L > 63	±0.5

UNSPECIFIED TOLERANCES

DSND	DATE	SCALE: N/A	MODEL TYPE: X2564WR-XX-N0SN
DWN	DATE	VIEW:	PART NO.: 2.5mm Crimp Style Connectors
CHKD	DATE	UNIT: mm/in	DWG NO.:
APPD	DATE	SIZE: A4	
XKB INDUSTRIAL PRECISION CO., LIMITED			WEIGHT 1.0g
			SHEET 1/1
			REVISION A0

文件工程章

www.xk-dg.cn www.helloxkb.com www.helloxkb.cn



■ Specifications :

- Voltage rating: 250V AC / DC
- Current rating: 3A AC / DC
- Withstanding voltage: 1000V AC/minute
- Temperature range: -25°C~+85°C
- Insulation resistance: ≥1000M Ω
- Contact resistance: ≤10mΩ
- After environmental testing : ≤20mΩ

X2564 H XX- N0  
① ② ③ ④

- ① Series No.
- ② Category : H-HSG
- ③ Appearance type:Blank-Ordinary
- ④ Row No.-Pin No.: XX-02P~16P
- ⑤ Material : N0-PA66 94V-0

Poles	Dimensions(mm)			Poles	Dimensions(mm)		
	A	B	C		A	B	C
02	2.50	7.50	5.90	12	27.50	32.50	30.90
03	5.00	10.00	8.40	13	30.00	35.00	33.40
04	7.50	12.50	10.90	14	32.50	37.50	35.90
05	10.00	15.00	13.40	15	35.00	40.00	38.40
06	12.50	17.50	15.90	16	37.50	42.50	40.90
07	15.00	20.00	18.40				
08	17.50	22.50	20.90				
09	20.00	25.00	23.40				
10	22.50	27.50	25.90				
11	25.00	30.00	28.40				

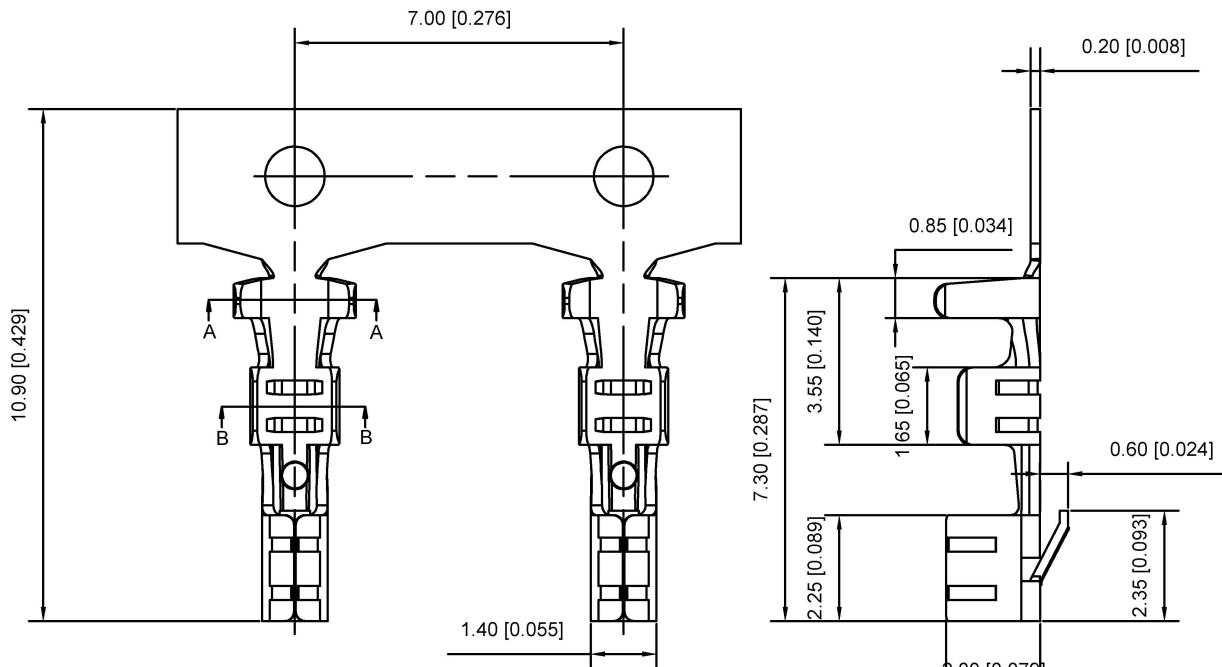
X2564H-XX-N0	Nyln 66 UL 94V-0	X2564T	X2564W
PART NO	Material	Suitable XKB Terminal	Suitable XKB Terminal

广东星坤科技股份有限公司

生 日期  
ΔX 日期  
ΔX 日期  
MARK 文件工程章

REVISIONS	DATE	REVISED	APPROVED	DESCRIPTION
UNSPECIFIED TOLERANCES				

DSND	DATE	SCALE: N/A	MODEL TYPE: X2564H-XX-N0
DWN	DATE	VIEW:	PART NO.: 2.5mm Crimp Style Connectors
CHKD	DATE	UNIT: mm/in	DWG NO.: X2564H-XX-N0
APPD	DATE	SIZE: A4	WEIGHT 1.0g
XKB INDUSTRIAL PRECISION CO.,LIMITED			SHEET 1/1
			REVISION A0

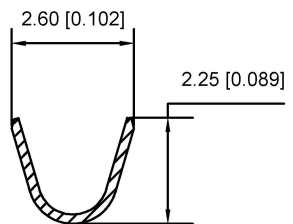
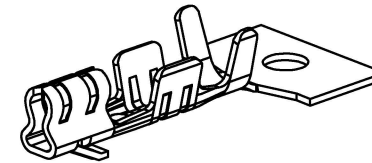


■ Specifications :

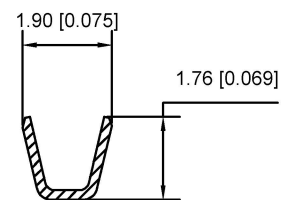
- Voltage rating: 250V AC / DC
- Current rating: 3A AC / DC
- Withstanding voltage: 1000V AC/minute
- Temperature range: -25°C~+85°C
- Insulation resistance: ≥1000M Ω
- Contact resistance: ≤10mΩ
- After environmental testing : ≤20mΩ

X2564 T P- SN  
① ② ③ ④

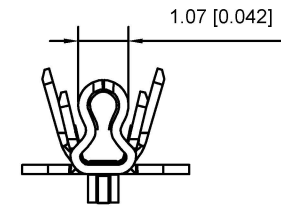
- ① Series Number.
- ② Category : Terminal
- ③ Material:P-Phosphor bronze
- ④ Plating style:SN-Bright tin Plating



SECTION: A-A  
SCALE: 1:1



SECTION: B-B  
SCALE: 1:1



X2564T-BSN	Brass				
X2564T-BSNB					
X2564T-PSNB	Phosphor Bronze	AWG#22-28	1.90mm(Max)	Stamping Before Plating 30U' Ni/70U'sn	X2564H
X2564T-PSN					
PART NO	Material	Wire Range	Insulation O.D.	Finish	Suitable X K B Terminal

广东星坤科技股份有限公司

生效	日期
ΔX	
ΔX	
ΔX	
MARK	DESCRIPTION

REVISIONS	DATE	REVISED	APPROVED	UNSPECIFIED TOLERANCES

DSND	DATE	SCALE: N/A	MODEL TYPE: X2564T-PSN
DWN	DATE	VIEW:	PART NO.: 2.5mm Crimp Style Connectors
CHKD	DATE	UNIT: mm/in	DWG NO.: X2564T-PSN
APPD	DATE	SIZE: A4	
XKB INDUSTRIAL PRECISION CO., LIMITED			WEIGHT: 1.0g
			SHEET: 1/1
			REVISION: A0

文件工程章

www.xk-dg.cn www.helloxkb.com www.helloxkb.cn