

P. C. B LAYOUT

■ Specifications :

- Voltage rating: 250V AC / DC
- Current rating: 3A AC / DC
- Withstanding voltage: 1000V AC/minute
- Temperature range: -25°C~+85°C
- Insulation resistance: ≥500MΩ
- Contact resistance: ≤10mΩ
- After environmental testing: ≤20mΩ

X2508 W R-XX-N0 SN

① ② ③ ④ ⑤ ⑥

- ① Series No.
- ② Category: W-WAFER
- ③ Welding Board Angle: R- Right Angle 90°
- ④ Row No.-Pin No.: XX-02-20P
- ⑤ Material: N0 -PA66 94V-0
- ⑥ Plating Category: SN-Bright Tin Plating

Poles	Dimensions (mm)	
	A	B
02	2.50	7.50
03	5.00	10.00
04	7.50	12.50
05	10.00	15.00
06	12.50	17.50
07	15.00	20.00
08	17.50	22.50
09	20.00	25.00
10	22.50	27.50
11	25.00	30.00
12	27.50	32.50
13	30.00	35.00
14	32.50	37.50
20	47.50	52.50

X2508WR-XX-N0SN	Nylon 66 UL 94V-0	Brass	Tin-Plated	X2508H
PART NO	Material	Material(Pin)	Finish(Pin)	Suitable XKB Terminal

For and on behalf of  
**XKB INDUSTRIAL PRECISION CO., LIMITED**  
 香港星坤工業精密有限公司

△ X  
 △ X  
 △ X  
 MARK

DESCRIPTION

DATE

REVISED

APPROVED

ANGULAR ±5°  
 L ≤ 4 ±0.2  
 4 < L ≤ 16 ±0.3  
 16 < L ≤ 63 ±0.4  
 L > 63 ±0.5

REVISIONS  
 Authorized Signature(s)

UNSPECIFIED TOLERANCES

DSND	DATE	SCALE: N/A
DWN	DATE	VIEW:
CHKD	DATE	UNIT: mm
APPD	DATE	SIZE: A4

MODEL TYPE:  
**X2508WR-XX-N0SN**  
 PART NO.:  
 2.50 mm Crimp Style Connector  
 DWG NO.:

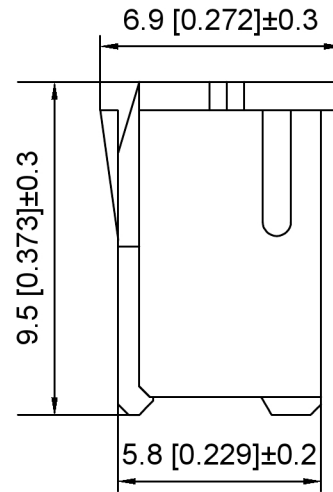
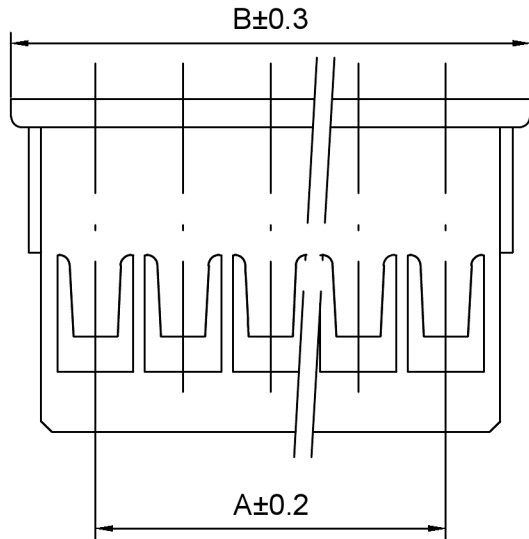
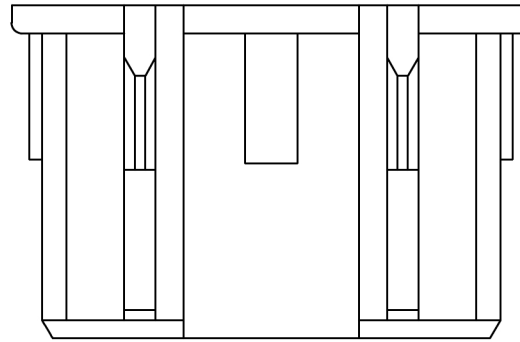
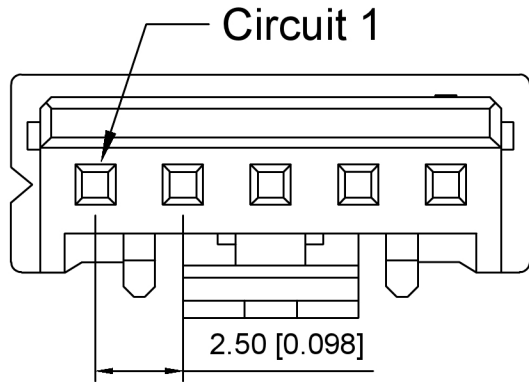
**XKB INDUSTRIAL PRECISION CO., LIMITED**

WEIGHT	SHEET	REVISION
1.0g	1/1	A0









Specifications:

规格:  
 Voltage rating:250V AC/DC  
 额定电压: 250V AC/DC  
 Current rating:3A AC/DC  
 额定电流: 3A AC/DC  
 Withstanding voltage:1000V AC/minute  
 耐受电压: 1000V AC/分钟  
 Temperature range:-25°C-+85°C  
 温度范围: -25°C-+85°C  
 Insulation resistance:1000MΩ min  
 绝缘电阻: 1000MΩ Min  
 Contact resistance:20mΩ Max  
 接触电阻: 20mΩ Max

X2508 H - XX - N0

① ② ③ ④

1. Series No
2. Category:H-HSG
3. Row No.Pin No:XX-02~20P
4. Material:N0-Nylon 94V-0 White

Poles	Dimensions(mm)	
	A	B
02	2.50	7.30
03	5.00	9.80
04	7.50	12.30
05	10.00	14.80
06	12.50	17.30
07	15.00	19.80
08	17.50	22.30
09	20.00	24.80
10	22.50	27.30
11	25.00	29.80
12	27.50	32.30
20	47.50	52.30

X2508H-XX-N0	Nylon	X2508W	X2508T
PART NO	Material	Suitable XKB Wafer	Suitable XKB Terminal

DSND	SCALE: N/A	MODEL TYPE: 2.5mm Crimp Style Connector
DWN	VIEW:	PART NO.: X2508H-XX-N0
CHKD	UNIT: mm/in	DWG NO.: X-X2508H-XX-N0
APPD	SIZE: A4	

广东星坤科技股份有限公司

Δ*		
生		日期
Δ*		
效		日期
MARK		

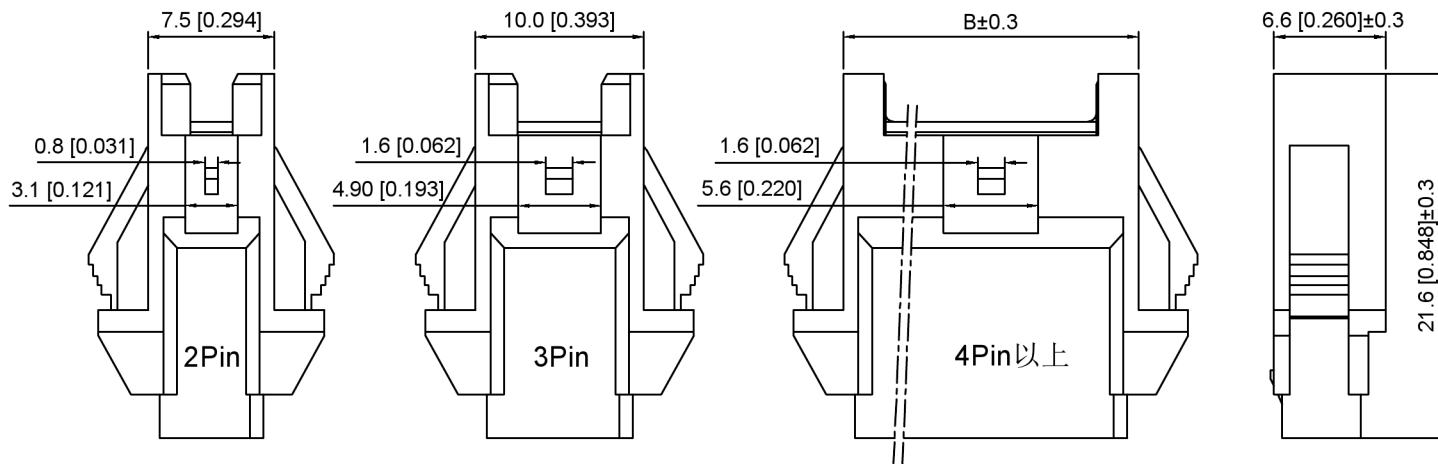
文件工程章

DESCRIPTION	DATE	REVISED	APPROVED	REVISIONS
				ANGULAR ±5°
				L ≤ 4 ±0.2
				4 < L ≤ 16 ±0.3
				16 < L ≤ 63 ±0.4
				L > 63 ±0.5
				UNSPECIFIED TOLERANCES



XKB INDUSTRIAL PRECISION CO., LIMITED

WEIGHT	SHEET	REVISION
	1/1	A0



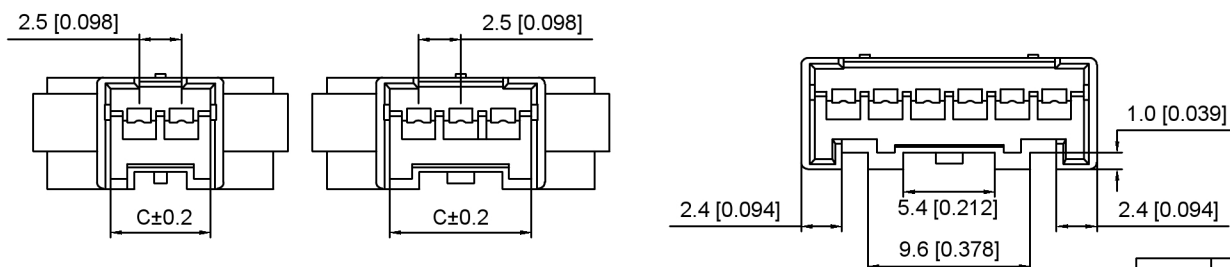
Specifications:

规格:

Voltage rating: 250V AC/DC  
 额定电压: 250V AC/DC  
 Current rating: 3A AC/DC  
 额定电流: 3A AC/DC  
 Withstanding voltage: 1000V AC/minute  
 耐受电压: 1000V AC/分钟  
 Temperature range: -25°C~+85°C  
 温度范围: -25°C~+85°C  
 Insulation resistance: ≥1000MΩ min  
 绝缘电阻: ≥1000MΩ Min  
 Contact resistance: ≤20mΩ Max  
 接触电阻: ≤20mΩ Max

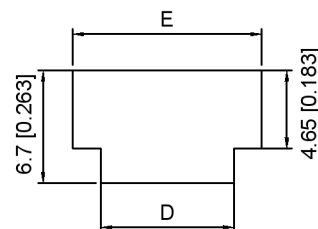
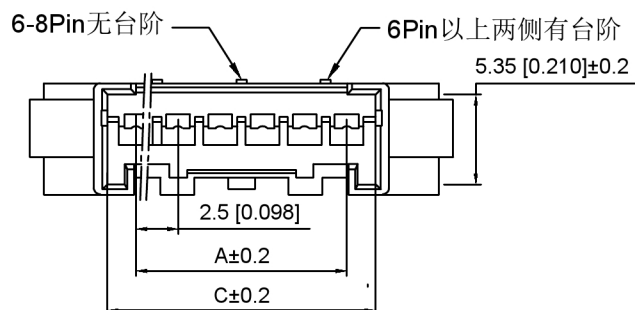
X2508 H F - XX - N0  
 ① ② ③ ④ ⑤

1. Series No
2. Category: H-HSG
3. Category: F-Female Housing
4. Row No. Pin No: XX-02~20P
5. Material: N0-Nylon 66 UL94V-0



X2508HF-XX-N0	Nylon 66	X2508H	X2508TM
PART NO	Material	Suitable XKB Housing	Suitable XKB Terminal

Poles	Dimensions(mm)					Poles	Dimensions(mm)				
	A	B	C	D	E		A	B	C	D	E
02	2.50	7.50	5.90	7.90	11.20	10	22.50	27.50	25.90	27.90	31.20
03	5.00	10.00	8.40	10.40	13.70	11	25.00	30.00	28.40	30.40	33.70
04	7.50	12.50	10.90	12.90	16.20	12	27.50	32.50	30.90	32.90	36.20
05	10.00	15.00	13.40	15.40	18.70	13	30.00	35.00	33.40	35.40	38.70
06	12.50	17.50	15.90	17.90	21.20	14	32.50	37.50	35.90	37.90	41.20
07	15.00	20.00	18.40	20.40	23.70	15	35.00	40.00	38.40	40.40	43.70
08	17.50	22.50	20.90	22.90	26.20	-	-	-	-	-	-
09	20.00	25.00	23.40	25.40	28.70	20	47.50	52.50	50.90	52.90	56.20



安装尺寸图

广东星坤科技股份有限公司

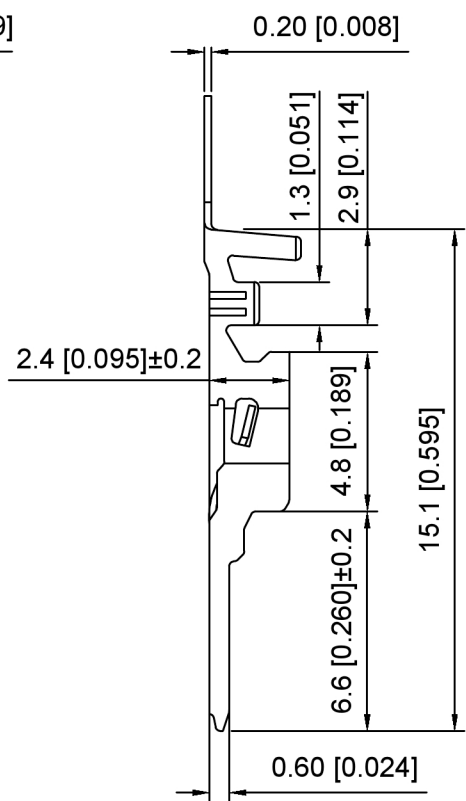
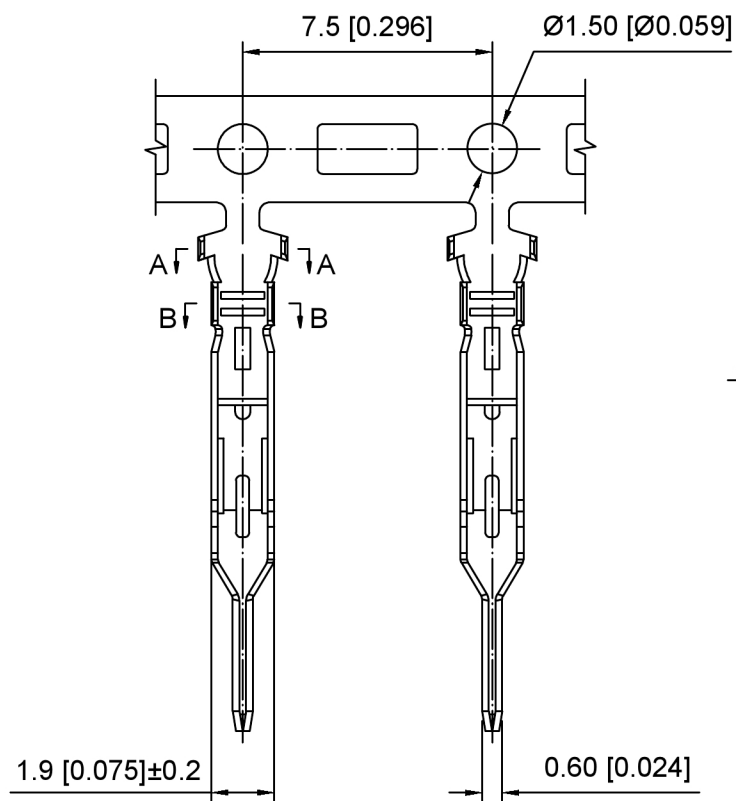
ANGLAR	±5°
L ≤ 4	±0.2
4 < L ≤ 16	±0.3
16 < L ≤ 63	±0.4
L > 63	±0.5
UNSPECIFIED TOLERANCES	



DSND	SCALE: N/A	MODEL TYPE: 2.5mm Crimp Style Connector		
DWN	VIEW:	PART NO.: X2508HF-XX-N0		
CHKD	UNIT: mm/in	DWG NO.: X-X2508HF-XX-N0		
APPD	SIZE: A4	WEIGHT	SHEET	REVISION
XKB INDUSTRIAL PRECISION CO., LIMITED			1/1	A0

文件工程章

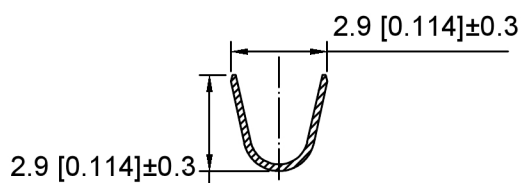




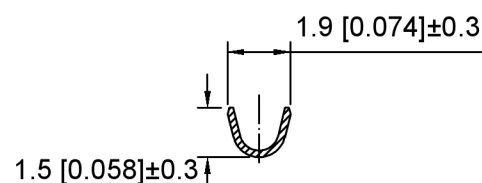
Specifications:  
 规格:  
 Voltage rating:250V AC/DC  
 额定电压: 250V AC/DC  
 Current rating:3A AC/DC  
 额定电流: 3A AC/DC  
 Withstanding voltage:1000V AC/minute  
 耐受电压: 1000V AC/分钟  
 Temperature range:-25℃-+85℃  
 温度范围: -25℃-+85℃  
 Insulation resistance:1000MΩ min  
 绝缘电阻: 1000MΩ Min  
 Contact resistance:20mΩ Max  
 接触电阻: 20mΩ Max

X2508 T M - P SN  
 ① ② ③ ④ ⑤

1. Series No
2. Category:T-Terminal
3. Category:M-Male Terminal
4. Material:Phosphor Bronze
5. Plating:SN-Tin Plated



SECTION:A-A



SECTION:B-B

X2508TM-PSN	AWG#28~22	Phosphor Bronze	X2508HF
PART NO	Wire Range	Material	Suitable XKB Housing

DSND	SCALE: N/A	MODEL TYPE: 2.5mm Crimp Style Connector
DWN	VIEW:	PART NO.: X2508TM-PSN
CHKD	UNIT: mm/in	DWG NO.: X-X2508TM-PSN
APPD	SIZE: A4	

广东星坤科技股份有限公司

ΔX	日期
ΔX	
ΔX	
MARK	

文件工程章

REVISIONS	DATE	REVISED	APPROVED	DESCRIPTION

UNSPECIFIED TOLERANCES	ANGULAR ±5°
	L ≤ 4 ±0.2
	4 < L ≤ 16 ±0.3
	16 < L ≤ 63 ±0.4
	L > 63 ±0.5



XKB INDUSTRIAL PRECISION CO., LIMITED

WEIGHT	SHEET	REVISION
	1/1	A0