

Specifications:

规格:

Voltage rating:100V AC/DC

额定电压: 100V AC/DC

Current rating:3A AC/DC

额定电流: 3A AC/DC

Withstanding voltage:1000V AC/minute

耐受电压: 1000V AC/分钟

Temperature range:-25℃~+85℃

温度范围: -25℃~+85℃

Insulation resistance: 1000MΩ min

绝缘电阻: 1000MΩ Min

Contact resistance:20mΩ Max

接触电阻: 20mΩ Max

X2050 H M-XX - PT  
① ② ③ ④ ⑤

- 1.Series No
- 2.Category:H-HSG
- 3.Category:M-Male
- 4.Row No.-Pin No:XX-02P-08P
- 5.Material:PT-PBT 94V-0 ;

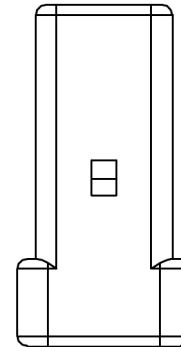
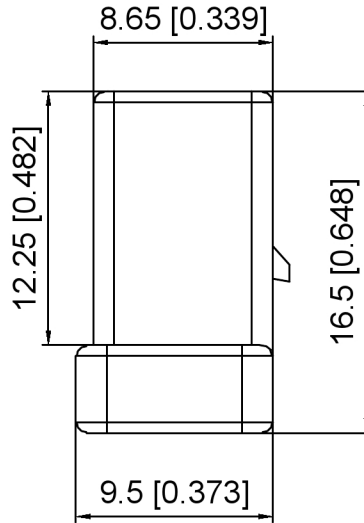
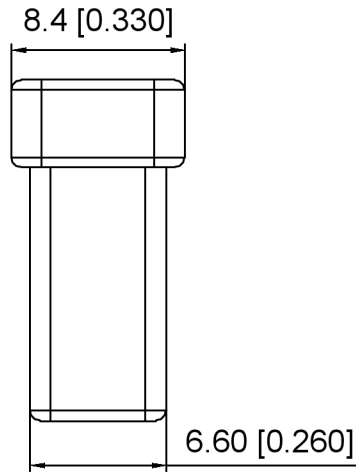
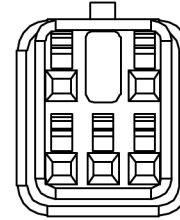
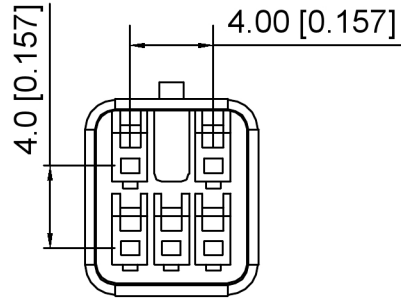
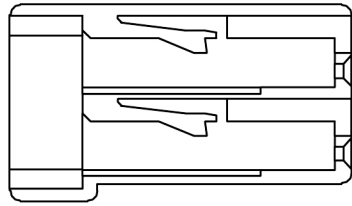
Poles	Dimensions(mm)	
	A	B
02	2.00	6.70
03	4.00	8.70
04	6.00	10.70
06	4.00	8.70
08	6.00	10.70

X2050HM-XX-PT	PBT	X2050W	X2050HF	X2050TF
PART NO	Material	Suitable XKB Wafer	Suitable XKB Housing	Suitable XKB Terminal

广东星坤科技股份有限公司  
文件工程章

REVISIONS	DATE	REVISED	APPROVED	UNSPECIFIED TOLERANCES
ANGLAR ±5°				
L ≤ 4 ±0.2				
4 < L ≤ 16 ±0.3				
16 < L ≤ 63 ±0.4				
L > 63 ±0.5				

DSND	SCALE: N/A	MODEL TYPE: 2.0mm Crimp Style Connector
DWN	VIEW:	PART NO.: X2050HM-XX-PT
CHKD	UNIT: mm/in	DWG NO.: X-X2050HM-XX-PT
APPD	SIZE: A4	
XKB INDUSTRIAL PRECISION CO.,LIMITED		WEIGHT SHEET REVISION 1/1 A0



**Specifications:**

规格:

Voltage rating:100V AC/DC

额定电压: 100V AC/DC

Current rating:3A AC/DC

额定电流: 3A AC/DC

Withstanding voltage:1000V AC/minute

耐受电压: 1000V AC/分钟

Temperature range:-25°C-+85°C

温度范围: -25°C-+85°C

Insulation resistance: 1000MΩ min

绝缘电阻: 1000MΩ Min

Contact resistance:20mΩ Max

接触电阻: 20mΩ Max

**X2050 H M-05 - PT**

① ② ③ ④ ⑤

- 1. Series No
- 2. Category:H-HSG
- 3. Category:M-Male
- 4. Row No.-Pin No:XX-05Pin
- 5. Material:PT-PBT 94V-0 ;

X2050HM-05-PT	PBT	X2050W	X2050HF	X2050TF
PART NO	Material	Suitable XKB Wafer	Suitable XKB Housing	Suitable XKB Terminal

广东星坤科技股份有限公司

4X	日期
ΔX	日期
△X	日期
MARK	DESCRIPTION

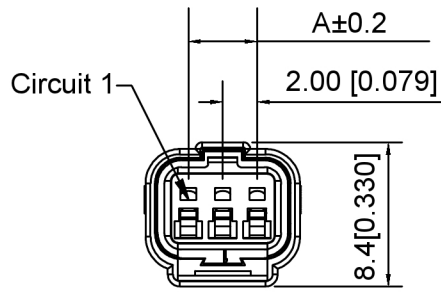
文件工程章

REVISIONS	UNSPECIFIED TOLERANCES
DATE	REVISIED
APPROVED	APPROVED
ANGLAR	±5°
L ≤ 4	±0.2
4 < L ≤ 16	±0.3
16 < L ≤ 63	±0.4
L > 63	±0.5

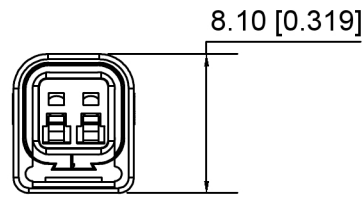


XKB INDUSTRIAL PRECISION CO., LIMITED

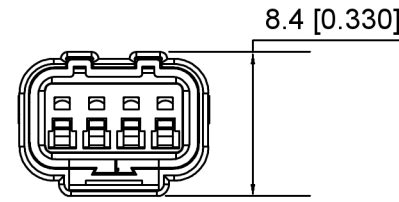
DSND	SCALE: N/A	MODEL TYPE: 2.0mm Crimp Style Connector
DWN	VIEW:	PART NO.: X2050HM-05-PT
CHKD	UNIT: mm/in	DWG NO.: X-X2050HM-05-PT
APPD	SIZE: A4	WEIGHT
		SHEET
		REVISION
		1/1
		A0



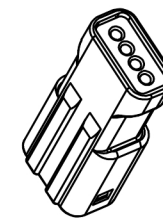
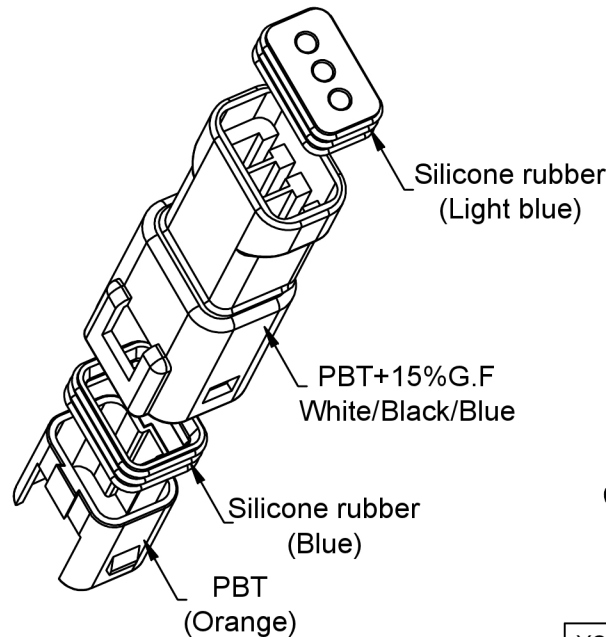
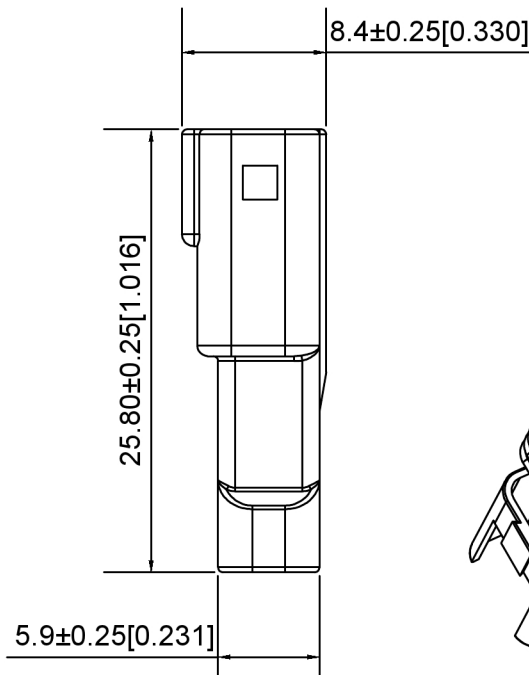
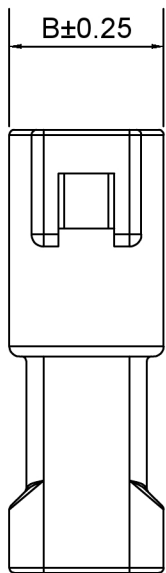
3P



2P



4P



Specifications:

规格:

Voltage rating: 100V AC/DC

额定电压: 100V AC/DC

Current rating: 3A AC/DC

额定电流: 3A AC/DC

Withstanding voltage: 1000V AC/minute

耐受电压: 1000V AC/分钟

Temperature range: -25°C~+85°C

温度范围: -25°C~+85°C

Insulation resistance: 1000MΩ min

绝缘电阻: 1000MΩ Min

Contact resistance: 20mΩ Max

接触电阻: 20mΩ Max

X2050 H F - XX - PT  
① ② ③ ④ ⑤

1. Series No
2. Category: H-HSG
3. Category: F-Female
4. Row No. PIN No: XX-02Pin-08Pin
5. Material: PT-PBT 94V-0

Poles	Dimensions(mm)	
	A	B
02	2.00	7.00
03	4.00	9.00
04	6.00	11.00
06	4.00	9.80
08	6.00	11.00

X2050HF-XX-PT	PBT	X2050HM	X2050TM
PART NO	Material	Suitable XKB Housing	Suitable XKB Terminal

DSND	SCALE: N/A	MODEL TYPE: 2.0mm Crimp Style Connector
DWN	VIEW:	PART NO.: X2050HF-XX-PT
CHKD	UNIT: mm/in	DWG NO.: X-X2050HF-XX-PT
APPD	SIZE: A4	

**XKLB**

XKB INDUSTRIAL PRECISION CO., LIMITED

WEIGHT	SHEET	REVISION
	1/1	A0

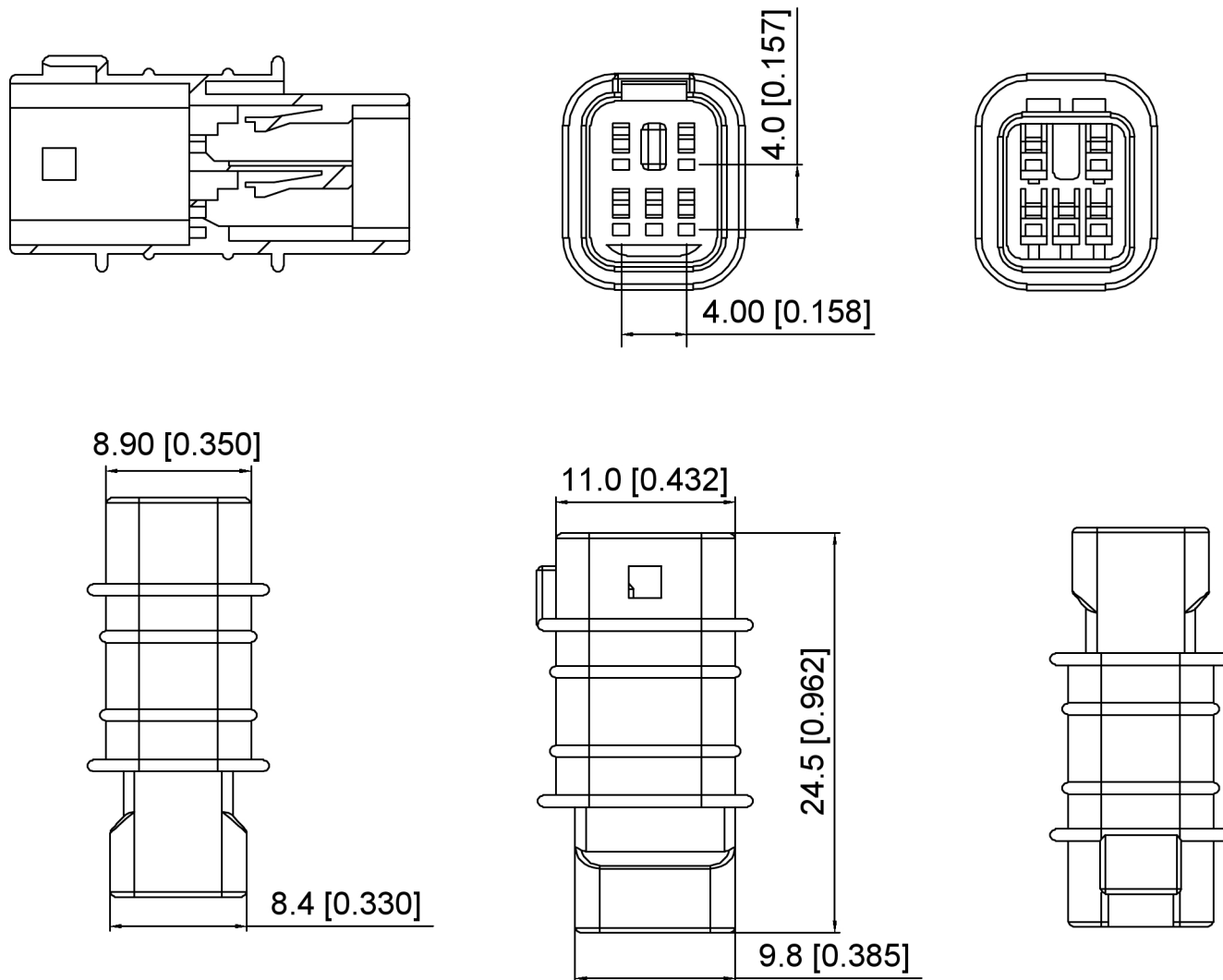
ANGLAR	±5°
L ≤ 4	±0.2
4 < L ≤ 16	±0.3
16 < L ≤ 63	±0.4
L > 63	±0.5
UNSPECIFIED TOLERANCES	

广东星坤科技股份有限公司

MARK	DESCRIPTION	DATE	REVISED	APPROVED

文件工程章

REVISIONS	UNSPECIFIED TOLERANCES
www.helloxkb.com www.helloxkb.cn www.xk-dg.cn	



**Specifications:**

规格:

**Voltage rating:**100V AC/DC

额定电压: 100V AC/DC

**Current rating:**3A AC/DC

额定电流: 3A AC/DC

**Withstanding voltage:**1000V AC/minute

耐受电压: 1000V AC/分钟

**Temperature range:**-25℃~+85℃

温度范围: -25℃~+85℃

**Insulation resistance:** 1000MΩ min

绝缘电阻: 1000MΩ Min

**Contact resistance:**20mΩ Max

接触电阻: 20mΩ Max

X2050 H F - 05 - PT  
① ② ③ ④ ⑤

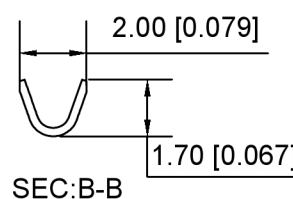
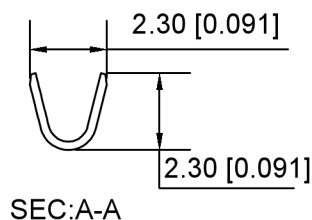
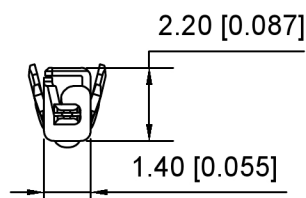
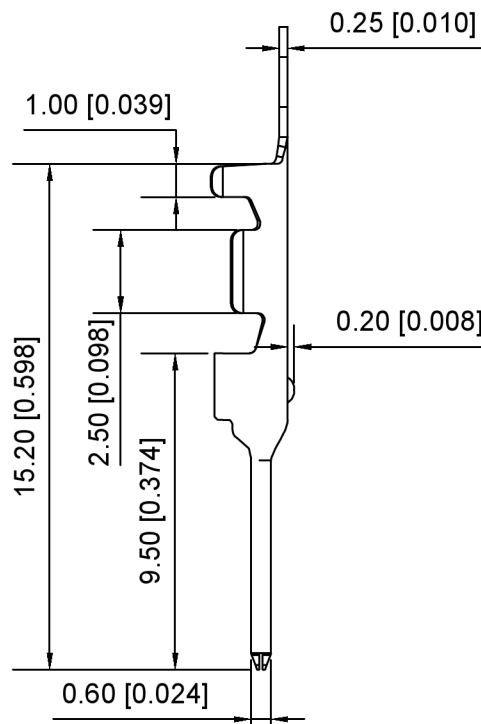
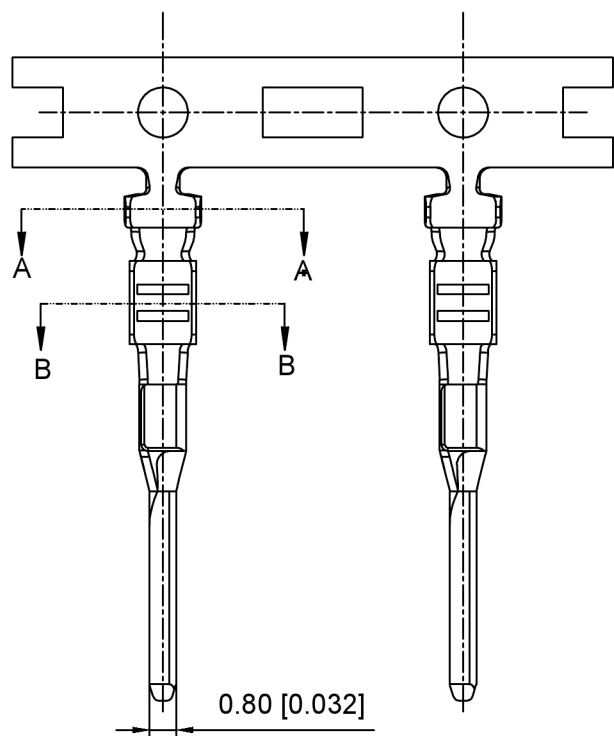
1. Series No
2. Category:H-HSG
3. Category:F-Female
4. Row No. Pin No:XX-05Pin
5. Material:PT-PBT 94V-0

X2050HF-05-PT	PBT	X2050HM	X2050TM
PART NO	Material	Suitable XKB Housing	Suitable XKB Terminal
DSND	SCALE: N/A	MODEL TYPE: 2.0mm Crimp Style Connector	
DWN	VIEW:	PART NO.: X2050HF-05-PT	
CHKD	UNIT: mm/in	DWG NO.: X-X2050HF-05-PT	
APPD	SIZE: A4	WEIGHT	SHEET
UNSPECIFIED TOLERANCES		REVISION	
XKB INDUSTRIAL PRECISION CO.,LIMITED		1/1	A0

广东星坤科技股份有限公司  
文件工程章

MARK	DESCRIPTION	DATE	REVISED	APPROVED	ANGLAR	±5°
△X					L ≤ 4	±0.2
△X					4 < L ≤ 16	±0.3
△X					16 < L ≤ 63	±0.4
					L > 63	±0.5





**Specifications:**

规格:

Voltage rating: 100V AC/DC

额定电压: 100V AC/DC

Current rating: 3A AC/DC

额定电流: 3A AC/DC

Withstanding voltage: 1000V AC/minute

耐受电压: 1000V AC/分钟

Temperature range: -25°C +85°C

温度范围: -25°C +85°C

Insulation resistance: 1000MΩ min

绝缘电阻: 1000MΩ Min

Contact resistance: 20mΩ Max

接触电阻: 20mΩ Max

**X2050 T M - P SN**  
 ① ② ③ ④ ⑤

1. Series No

2. Category: T-Terminal

3. Category: M-Male Terminal

4. Material: P-Phosphor Bronze

5. Plating: SN-Bright Tin Plating,  
Stamping Before Plating

X2050TM-PSN	Phosphor Bronze	AWG#22-26	Tin	X2050HF
PART NO	Material	Wire Range	Plating	Suitable XKB Housing

DSND	SCALE: N/A	MODEL TYPE: 2.0mm Crimp Style Connector		
DWN	VIEW:	PART NO.: X2050TM-PSN		
CHKD	UNIT: mm/in	DWG NO.: X-X2050TM-PSN		
APPD	SIZE: A4	WEIGHT	SHEET	REVISION
XKB INDUSTRIAL PRECISION CO., LIMITED			1/1	A0

ANGULAR	±5°
L ≤ 4	±0.2
4 < L ≤ 16	±0.3
16 < L ≤ 63	±0.4
L > 63	±0.5



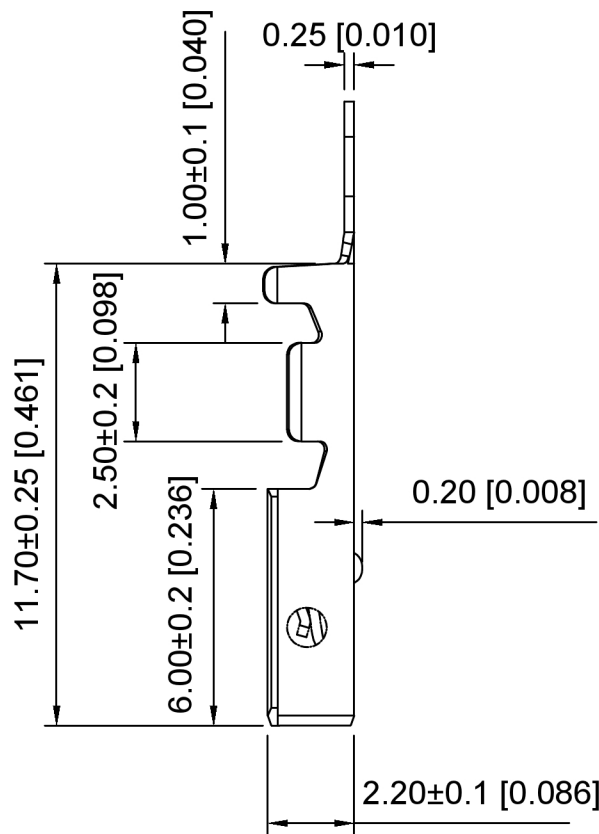
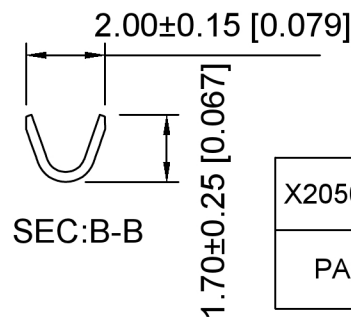
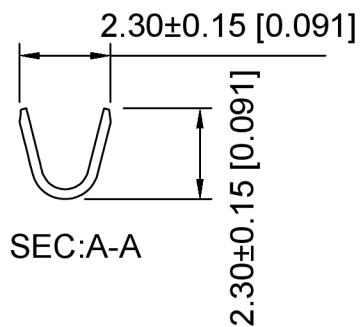
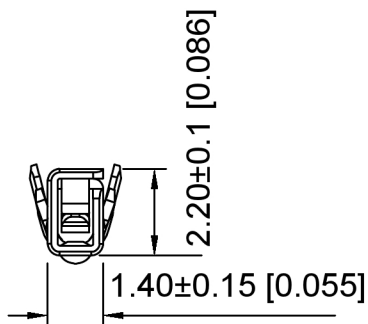
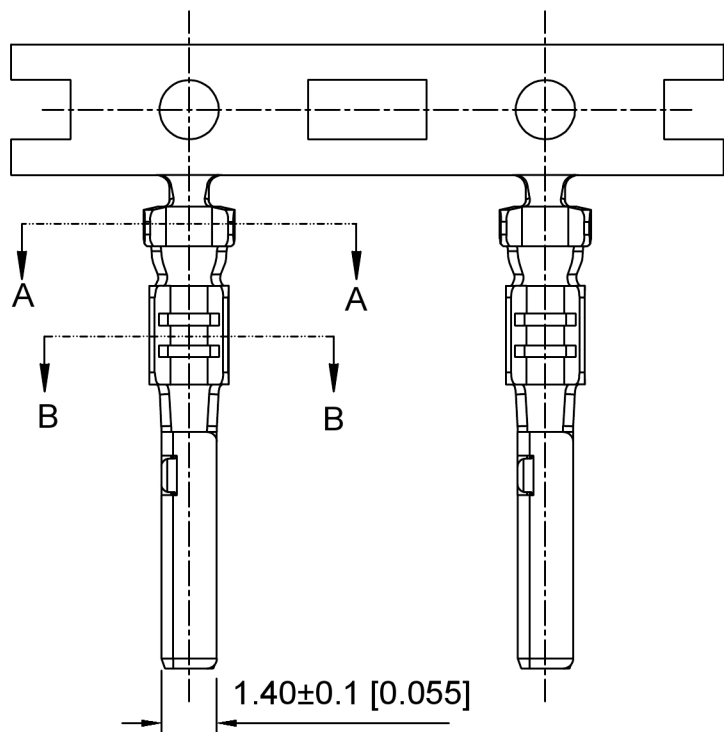
UNSPECIFIED TOLERANCES

广东星坤科技股份有限公司

DATE	DATE	DATE
DATE	DATE	DATE
DATE	DATE	DATE

文件工程章

REVISIONS  
 www.helloxkb.com www.helloxkb.cn www.xk-dg.cn



Specifications:

规格:

Voltage rating:100V AC/DC

额定电压: 100V AC/DC

Current rating:3A AC/DC

额定电流: 3A AC/DC

Withstanding voltage:1000V AC/minute

耐受电压: 1000V AC/分钟

Temperature range:-25°C-+85°C

温度范围: -25°C-+85°C

Insulation resistance: 1000MΩ min

绝缘电阻: 1000MΩ Min

Contact resistance:20mΩ Max

接触电阻: 20mΩ Max

X2050 T F - P SN

① ② ③ ④ ⑤

- 1.Series No
- 2.Category:T-Terminal
- 3.Category:F-Female Terminal
- 4.Material:P-Phosphor Bronze
- 5.Plating:SN-BrihgT Tin Plating, Stamping Before Plating

X2050TF-PSN	Phosphor Bronze	AWG#22-26	Tin	X2050HM
PART NO	Material	Wire Range	Plating	Suitable XKB Housing

广东星坤科技股份有限公司

日期

文件工程章

MARK	DESCRIPTION	DATE	REVISED	APPROVED	ANGULAR	±5°
					L ≤ 4	±0.2
					4 < L ≤ 16	±0.3
					16 < L ≤ 63	±0.4
					L > 63	±0.5
REVISIONS					UNSPECIFIED TOLERANCES	
www.helloxkb.com www.helloxkb.cn www.xk-dg.cn						

XKB

XKB INDUSTRIAL PRECISION CO., LIMITED

DSND		SCALE: N/A	MODEL TYPE: 2.0mm Crimp Style Connector
DWN		VIEW:	PART NO.: X2050TF-PSN
CHKD		UNIT: mm/in	DWG NO.: X-X2050TF-PSN
APPD		SIZE: A4	
	WEIGHT	SHEET	REVISION
		1/1	A0