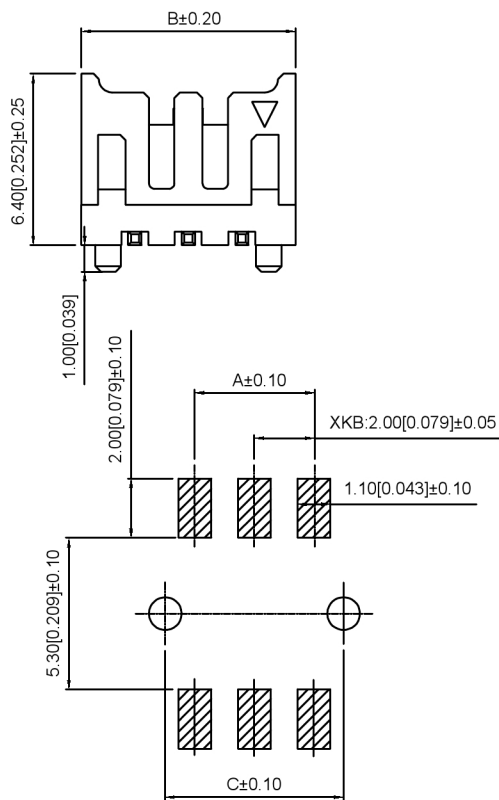
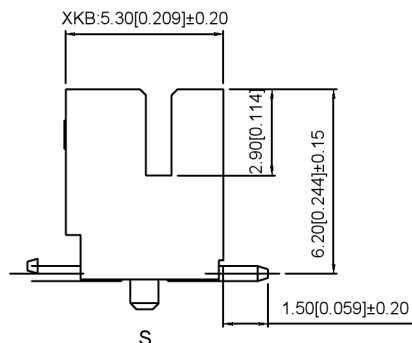
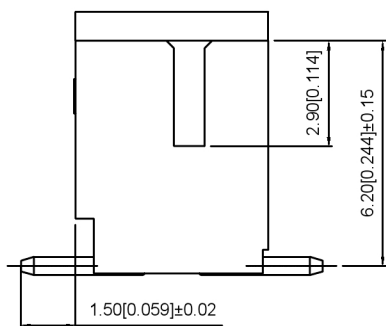


2P 视图



PCB LAYOUT



Specifications:

规格:
 Voltage rating: 250V AC/DC
 额定电压: 250V AC/DC
 Current rating: 3A AC/DC
 额定电流: 3A AC/DC
 Withstanding voltage: 800V AC/minute
 耐受电压: 800V AC/分钟
 Temperature range: -25°C~+85°C
 温度范围: -25°C~+85°C
 Insulation resistance: ≥1000MΩ
 绝缘电阻: ≥1000MΩ
 Contact resistance: ≤10mΩ
 接触电阻: ≤10mΩ
 After environmental testing: ≤20mΩ
 环境测试后: ≤20兆欧

X2026 W V S-2xXXS-9T SN XX

① ② ③ ④ ⑤ ⑥ ⑦ ⑧ ⑨

- Series No
- Category: W-WAFER
- Welding Board Angle: V-Straight 180°
- Welding Way: S-SMT
- Row No-Pin No: 2xXX-2x02P~2x22P
- S-With the column
- Material: 9T-PA9T 94V-0
- Plating Category: SN-Bright Tin Plating
- Color: Blank-Natural Color

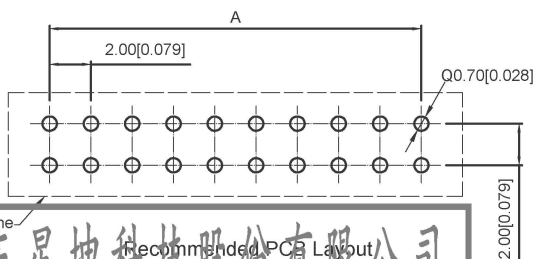
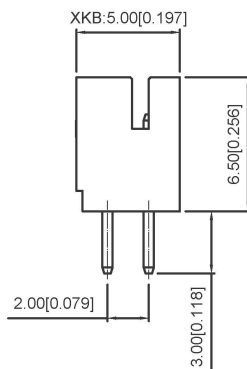
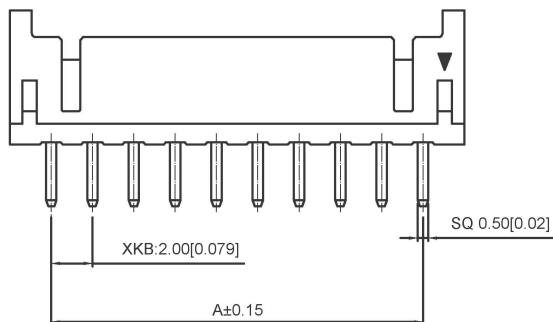
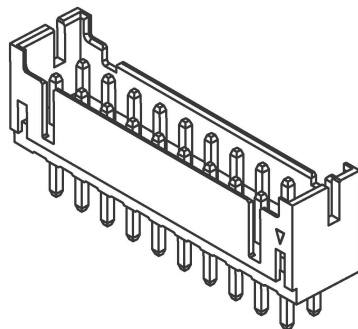
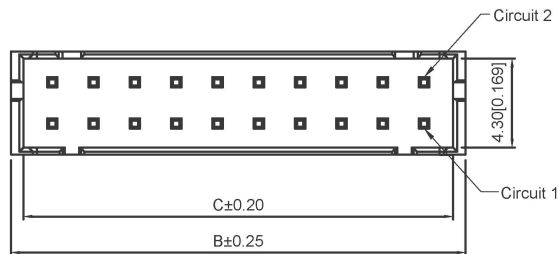
poles	Dimensions(mm)			poles	Dimensions(mm)			Poles	Dimensions(mm)		
	A	B	C		A	B	C		A	B	C
2x02	2.00	6.00	4.00	2x09	16.00	20.00	18.00	2x16	30.00	34.00	32.00
2x03	4.00	8.00	6.00	2x10	18.00	22.00	20.00	2x17	32.00	36.00	34.00
2x04	6.00	10.00	8.00	2x11	20.00	24.00	22.00	2x18	34.00	38.00	36.00
2x05	8.00	12.00	10.00	2x12	22.00	26.00	24.00	2x19	36.00	40.00	38.00
2x06	10.00	14.00	12.00	2x13	24.00	28.00	26.00				
2x07	12.00	16.00	14.00	2x14	26.00	30.00	28.00				
2x08	14.00	18.00	16.00	2x15	28.00	32.00	30.00				

X2026WVS-2xXXS-9TSN	PA9T UL 94V-0	Brass	Tin-Plated	X2026H
X2026WVS-2xXX-9TSN	PA9T UL 94V-0			X2026H
PART NO	Material	Material(pin)	Finish(Pin)	Suitable XKB Terminal

DSND	DATE	SCALE: N/A	MODEL TYPE: Wire to board connector
DWN	DATE	VIEW:	PART NO.: 2.00mm Crimp Style Connectors
CHKD	DATE	UNIT: mm/in	DWG NO.: X2026WVS-2xXXS-9TSSX
APPD	DATE	SIZE: A4	WEIGHT 1.0g
XKB INDUSTRIAL PRECISION CO., LIMITED			SHEET 1/1
			REVISION A0

广东星坤科技股份有限公司
 文件工程章

MARK	DESCRIPTION	DATE	REVISED	APPROVED	units: mm
Δx					tolerance:
Δ*					X.X ±0.2mm
Δx					X.XX ±0.1mm
MARK					X.XXX ±0.05mm
					UNSPECIFIED TOLERANCES



Specifications:

规格:
Voltage rating:250V AC/DC
 额定电压: 250V AC/DC
Current rating:3A AC/DC
 额定电流: 3A AC/DC
Withstanding voltage:800V AC/minute
 耐受电压: 800V AC/分钟
Temperature range:-25°C~+85°C
 温度范围: -25°C~+85°C
Insulation resistance:≥1000MΩ
 绝缘电阻: ≥1000MΩ
Contact resistance:≤10mΩ
 接触电阻: ≤10mΩ
After environmental testing:≤20mΩ
 环境测试后: ≤20兆欧

X2026 W V X-2xXXX-NOXXXXX

① ② ③ ④ ⑤ ⑥ ⑦ ⑧ ⑨

1. Series No
2. Category:W-WAFER
3. Welding Board Angle:V-Straight 180°
4. Welding Way:Blank-DIP
5. Row No-Pin No:2xXX-2x02P~2x22P
6. Plug the Pin&Special NO:HF-Halogen Free
7. Material:N0-PA66 94V-0
8. Plating Category:SN-Bright Tin Plating
V01-All Gold Flash
9. Color:Blank-Natural Color; BK-Black;WH-White

poles	Dimensions(mm)			poles	Dimensions(mm)			Poles	Dimensions(mm)		
	A	B	C		A	B	C		A	B	C
2x02	2.00	6.00	4.80	2x09	16.00	20.00	18.80	2x16	30.00	34.00	32.80
2x03	4.00	8.00	6.80	2x10	18.00	22.00	20.80	2x17	32.00	36.00	34.80
2x04	6.00	10.00	8.80	2x11	20.00	24.00	22.80	2x18	34.00	38.00	36.80
2x05	8.00	12.00	10.80	2x12	22.00	26.00	24.80	2x19	36.00	40.00	38.80
2x06	10.00	14.00	12.80	2x13	24.00	28.00	26.80	2x20	38.00	42.00	40.80
2x07	12.00	16.00	14.80	2x14	26.00	30.00	28.80	2x21	40.00	44.00	42.80
2x08	14.00	18.00	16.80	2x15	28.00	32.00	30.80	2x22	42.00	46.00	44.80

X2026WV-2xXXHF-NOSNBK	PA66 UL 94V-0 Black(Halogen Free)	Brass	Tin-Plated	X2026H
X2026WV-2xXX-N0 SNWH	PA66 UL 94V-0 White		Tin-Plated	
X2026WV-2xXX-N0 V01	PA66 UL 94V-0		Gold-Flash	
X2026WV-2xXX-N0 SN			Tin-Plated	
PART NO	Material	Material(pin)	Finish(Pin)	Suitable XKB Terminal

广东星坤科技股份有限公司
 Recommended PCB Layout
 General Tolerance:±0.05

生 日期
 ΔX 日期
 ΔX 日期
 MARK 文件工程章

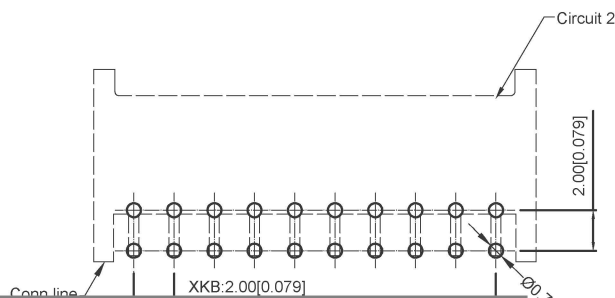
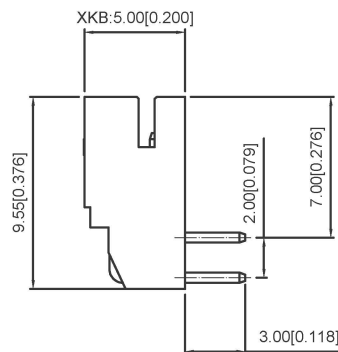
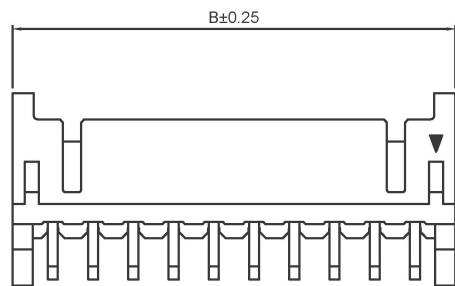
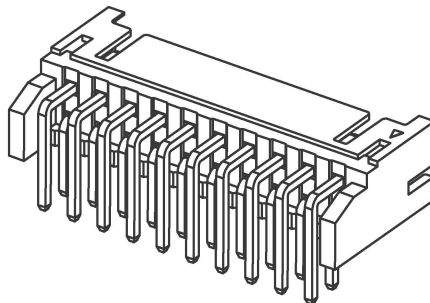
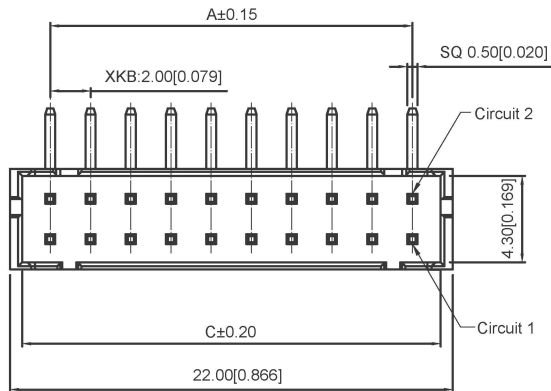
REVISIONS

www.xk-dg.cn www.helloxkb.com www.helloxkb.cn

DATE	REVISED	APPROVED	UNSPECIFIED TOLERANCES

units: mm
 tolerance:
 X.X ±0.2mm
 X.XX ±0.1mm
 X.XXX ±0.05mm

DSND	DATE	SCALE: N/A	MODEL TYPE: Wire to board connector
DWN	DATE	VIEW:	PART NO.: 2.00mm Crimp Style Connectors
CHKD	DATE	UNIT: mm/in	DWG NO.: X2026WV-2xXX-N0XXX
APPD	DATE	SIZE: A4	WEIGHT 1.0g
KKB INDUSTRIAL PRECISION CO., LIMITED			SHEET 1/1
			REVISION A0



Specifications:

规格:
 Voltage rating:250V AC/DC
 额定电压: 250V AC/DC
 Current rating:3A AC/DC
 额定电流: 3A AC/DC
 Withstanding voltage:800V AC/minute
 耐受电压: 800V AC/分钟
 Temperature range:-25℃~+85℃
 温度范围: -25℃~+85℃
 Insulation resistance:≥1000MΩ
 绝缘电阻: ≥1000MΩ
 Contact resistance:≤10mΩ
 接触电阻: ≤10mΩ
 After environmental testing:≤20mΩ
 环境测试后: ≤20兆欧

X2026 W R X-2xXXX-NOXXXX

① ② ③ ④ ⑤ ⑥ ⑦ ⑧ ⑨

- 1.Series No
- 2.Category:W-WAFER
- 3.Welding Board Angle:R-Right Angle 90°
- 4.Welding Way:Blank-DIP
- 5.Row No-Pin No:2xXX-2x02P~2x22P
- 6.Plug the Pin&Special NO:
- 7.Material:N0-PA66 94V-0
- 8.Plating Category:SN-Bright Tin Plating
V01-All Gold Flash
- 9.Color:Blank-Natural Color

poles	Dimensions(mm)			poles	Dimensions(mm)			Poles	Dimensions(mm)		
	A	B	C		A	B	C		A	B	C
2x02	2.00	6.00	4.80	2x09	16.00	20.00	18.80	2x16	30.00	34.00	32.80
2x03	4.00	8.00	6.80	2x10	18.00	22.00	20.80	2x17	32.00	36.00	34.80
2x04	6.00	10.00	8.80	2x11	20.00	24.00	22.80	2x18	34.00	38.00	36.80
2x05	8.00	12.00	10.80	2x12	22.00	26.00	24.80	2x19	36.00	40.00	38.80
2x06	10.00	14.00	12.80	2x13	24.00	28.00	26.80	2x20	38.00	42.00	40.80
2x07	12.00	16.00	14.80	2x14	26.00	30.00	28.80	2x21	40.00	44.00	42.80
2x08	14.00	18.00	16.80	2x15	28.00	32.00	30.80	2x22	42.00	46.00	44.80

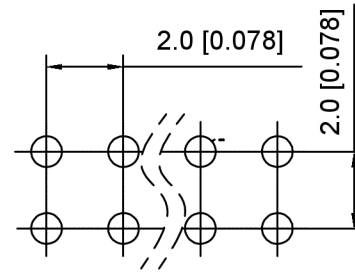
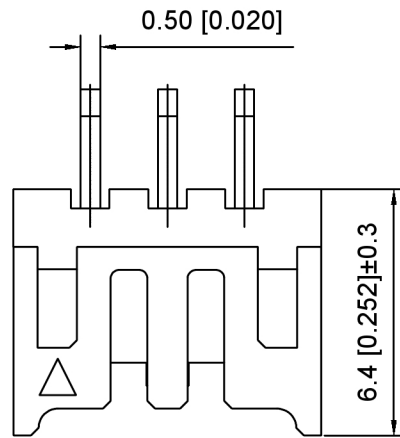
X2026WR-2xXX-N0 V01	PA66 UL 94V-0	Brass	Gold-Flash	X2026H
X2026WR-2xXX-N0S N			Tin-Plated	
PART NO	Material	Material(pin)	Finish(Pin)	Suitable XKB Terminal

广东星坤科技股份有限公司

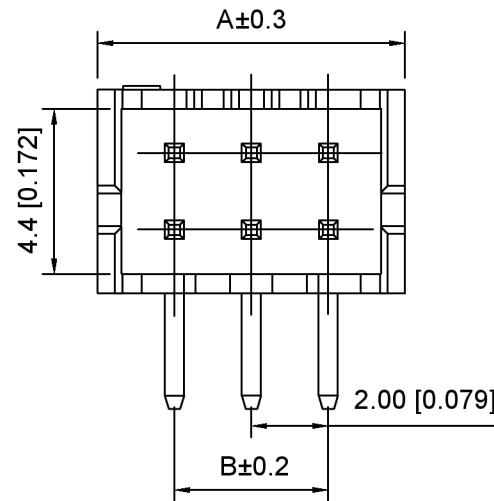
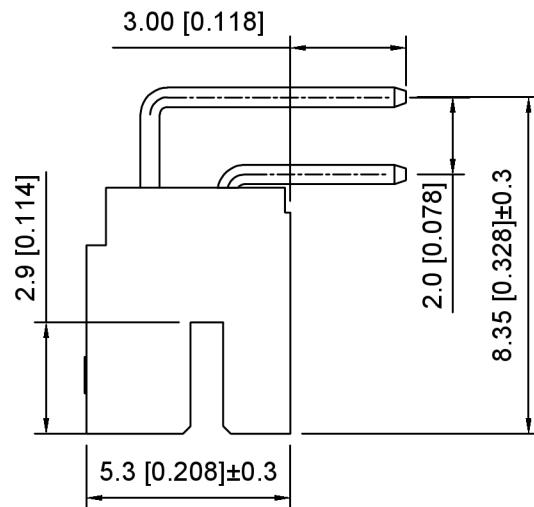
生	日期
ΔX	ΔX
ΔX	ΔX
MARK	文件工程章

DESCRIPTION	DATE	REVISED	APPROVED	units:	mm
				tolerance:	
				X.X	±0.2mm
				X.XX	±0.1mm
				X.XXX	±0.05mm
				UNSPECIFIED TOLERANCES	

DSND	DATE	SCALE: N/A	MODEL TYPE:
DWN	DATE	VIEW:	Wire to board connector
CHKD	DATE	UNIT: mm/in	PART NO.: 2.00mm Crimp Style Connectors
APPD	DATE	SIZE: A4	DWG NO.: X2026WR-2xXX-NOXXX
KKB INDUSTRIAL PRECISION CO., LIMITED			WEIGHT 1.0g
			SHEET 1/1
			REVISION A0



PCB Layout



Specifications:

规格:

Voltage rating:250V AC/DC

额定电压: 250V AC/DC

Current rating:3A AC/DC

额定电流: 3A AC/DC

Withstanding voltage:800V AC/minute

耐受电压: 800V AC/分钟

Temperature range:-40°C-+105°C

温度范围: -40°C-+105°C

Insulation resistance:1000MΩ min

绝缘电阻: 1000MΩ Min

Contact resistance:20mΩ Max

接触电阻: 20mΩ Max

X2026	W	R	- 2xXX	S	- 9T	SN
①	②	③	④	⑤	⑥	⑦

1.Series No

2.Category:W-Wafer

3.Welding Board Angle:R-Stright 90°

4.Row No.Pin No:2xXX-2x02~2x20P

5.Special No:Without Positioning baffles on both

6.Material:9T-PA9T UL94V-0

7.Palating:SN-Tin Plated

Poles	Dimensions(mm)		Poles	Dimensions(mm)	
	A	B		A	B
2x02	6.00	2.00	2x12	26.00	22.00
2x03	8.00	4.00	2x13	28.00	24.00
2x04	10.00	6.00	2x14	30.00	26.00
2x05	12.00	8.00	2x15	32.00	28.00
2x06	14.00	10.00	2x16	34.00	30.00
2x07	16.00	12.00	2x17	36.00	32.00
2x08	18.00	14.00	2x18	38.00	34.00
2x09	20.00	16.00	2x19	40.00	36.00
2x10	22.00	18.00	2x20	42.00	38.00
2x11	24.00	20.00		/	

X2026WR-2xXXS-9TSN	PA9T	Brass	X2026H
PART NO	Material	Material(Pin)	Suitable XKB Housing

DSND	SCALE: N/A	MODEL TYPE: 2.0mm Crimp Style Connector
DWN	VIEW:	PART NO.: X2026WR-2xXXS-9TSN
CHKD	UNIT: mm/in	DWG NO.: X-X2026WR-2xXXS-9TSN
APPD	SIZE: A4	



XKB INDUSTRIAL PRECISION CO., LIMITED

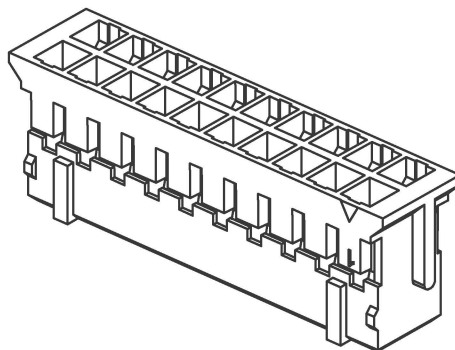
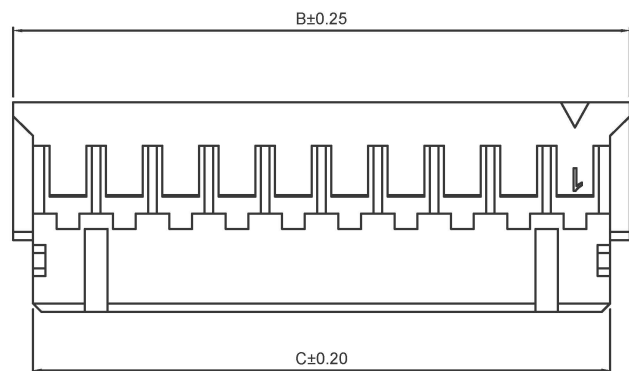
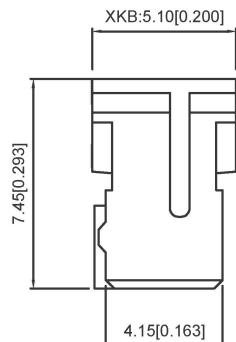
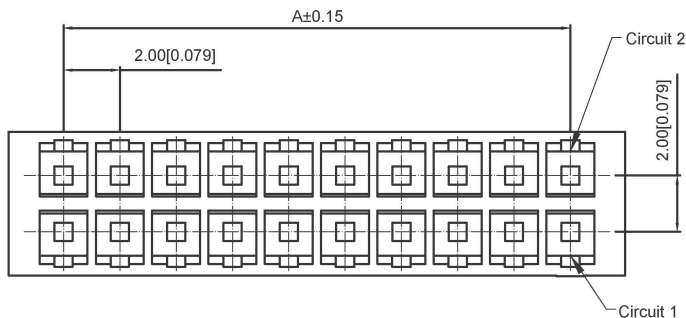
WEIGHT	SHEET	REVISION
	1/1	A0

广东星坤科技股份有限公司

Δ建	日期
Δ改	
ΔX	

MARK DESCRIPTION DATE REVISED APPROVED

文件工程章 REVISIONS UNSPECIFIED TOLERANCES



Specifications:

规格:
 Voltage rating:250V AC/DC
 额定电压: 250V AC/DC
 Current rating:3A AC/DC
 额定电流: 3A AC/DC
 Withstanding voltage:800V AC/minute
 耐受电压: 800V AC/分钟
 Temperature range:-25℃~+85℃
 温度范围: -25℃~+85℃
 Insulation resistance:≥1000MΩ
 绝缘电阻: ≥1000MΩ
 Contact resistance:≤10mΩ
 接触电阻: ≤10mΩ
 After environmental testing:≤20mΩ
 环境测试后: ≤20兆欧

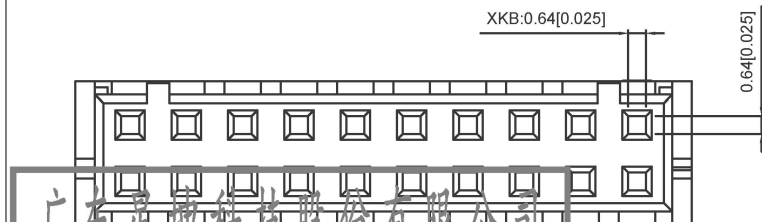
X2026 H X- 2xXX HF-N0 XX

① ②③ ④ ⑤ ⑥ ⑦

- 1.Series No
- 2.Category:H-HSG
- 3.Appearance type:Blank-Ordinary
- 4.Row No-Pin No:2xXX-2x02P~2x22P
- 5.Plug the Pin&special No:
HF-Halogen Free
- 6.Material:NO-PA66 94V-0
- 7.Color:Blank-Natural Color
BK-Black

poles	Dimensions(mm)			poles	Dimensions(mm)			Poles	Dimensions(mm)		
	A	B	C		A	B	C		A	B	C
2x02	2.00	5.90	4.50	2x09	16.00	19.90	18.50	2x16	30.00	33.90	32.50
2x03	4.00	7.90	6.50	2x10	18.00	21.90	20.50	2x17	32.00	35.90	34.50
2x04	6.00	9.90	8.50	2x11	20.00	23.90	22.50	2x18	34.00	37.90	36.50
2x05	8.00	11.90	10.50	2x12	22.00	25.90	24.50	2x19	36.00	39.90	38.50
2x06	10.00	13.90	12.50	2x13	24.00	27.90	26.50	2x20	38.00	41.90	40.50
2x07	12.00	15.90	14.50	2x14	26.00	29.90	28.50	2x21	40.00	43.90	42.50
2x08	14.00	17.90	16.50	2x15	28.00	31.90	30.50	2x22	42.00	45.90	44.50

X2026H-2xXX-N0BK	Nylon 66 UL 94V-0 Black	X2026T	X2026W
X2026H-2xXXHF-N0	Nylon 66 UL 94V-0 Halogen Free		
X2026H-2xXX-N0	Nylon 66 UL 94V-0		
PART NO	Material	Suitable XKB Terminal	Suitable XKB Terminal

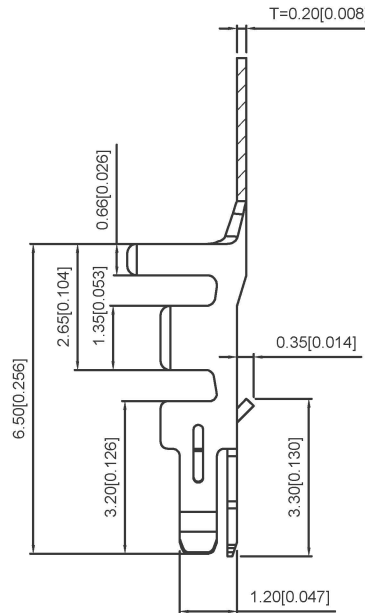
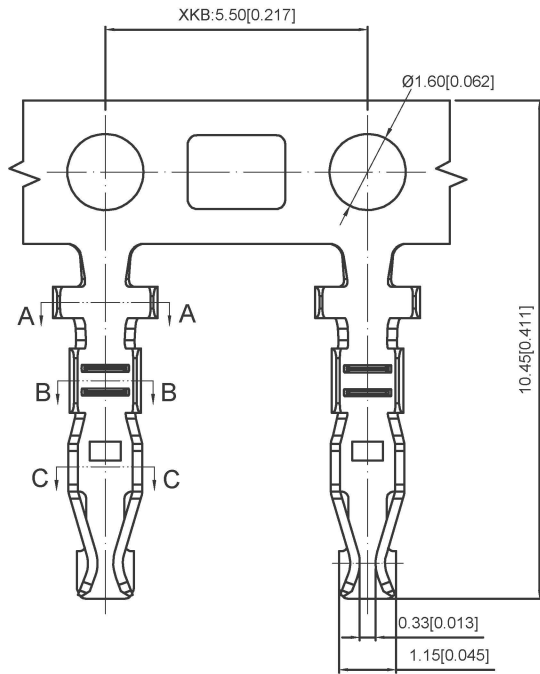


广东星坤科技股份有限公司

生	日期
效	
ΔX	
ΔX	
MARK	文件工程章
DESCRIPTION	REVISIONS

units:	mm
tolerance:	
X.X	±0.2mm
X.XX	±0.1mm
X.XXX	±0.05mm
UNSPECIFIED TOLERANCES	

DSND	DATE	SCALE: N/A	MODEL TYPE:
DWN	DATE	VIEW:	Wire to board connector
CHKD	DATE	UNIT: mm/in	PART NO.:
APPD	DATE	SIZE: A4	2.00mm Crimp Style Connectors
			DWG NO.:
			X2026H-2xXXXX-N0
XKB INDUSTRIAL DECISION CO. LIMITED			WEIGHT SHEET REVISION



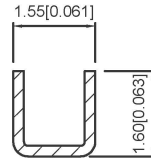
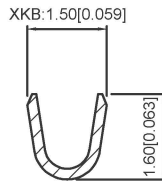
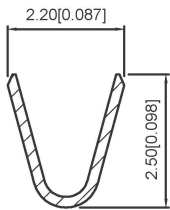
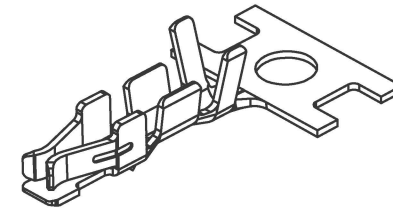
Specifications:

规格:
 Voltage rating: 250V AC/DC
 额定电压: 250V AC/DC
 Current rating: 3A AC/DC
 额定电流: 3A AC/DC
 Withstanding voltage: 800V AC/minute
 耐受电压: 800V AC/分钟
 Temperature range: -25°C~+85°C
 温度范围: -25°C~+85°C
 Insulation resistance: $\geq 1000M\Omega$
 绝缘电阻: $\geq 1000M\Omega$
 Contact resistance: $\leq 10m\Omega$
 接触电阻: $\leq 10m\Omega$
 After environmental testing: $\leq 20m\Omega$
 环境测试后: ≤ 20 兆欧

X2026 T X - P XXX X - L

① ② ③ ④ ⑤ ⑥ ⑦

1. Series Number
2. Category: T-terminal
3. Shape: Blank-ordinary
4. Material: P-Phosphor bronze
5. Plating style: SN-Bright tin plating; V01-Gold Flash
G03-Gold 3u"Plated Contact
6. Plating method: Blank-Stamping before plating
B-plating before stamping
7. Mold NO./Mark/Special NO.: L-Loose



广东星坤科技股份有限公司

SECTION: A-A
SCALE: 1:1

SECTION: B-B
SCALE: 1:1

SECTION: C-C
SCALE: 1:1

X2026T-PG03-L	Phosphor Bronze	AWG#22-28	1.50mm(Max)	Stamping Before Plating: 30u"MIN Ni; Contact Area Gold: 3u"MIN	X2026H.2026H-A
X2026T-PV01-L				Stamping Before Plating: 30u"MIN; Ni; W hole Gold Flash	
X2026T-PSNB-L				Plating Before Stamping: 10u"Ni; 40~ 60 u"Sn	
X2026T-PSN-L				Stamping Before Plating: 30u"MIN Ni; 70u"MIN Sn	
PART NO	Material	Wire Range	Insulation OD		Suitable XKB Terminal

生	日期				units:	mm
ΔX					tolerance:	
ΔX					X.X	±0.2mm
ΔX					X.XX	±0.1mm
MARK					X.XXX	±0.05mm
文件工程章					UNSPECIFIED TOLERANCES	
DESCRIPTION		DATE	REVISED	APPROVED		
REVISIONS						
www.xk-dg.cn www.helloxkb.com www.helloxkb.cn						

DSND		DATE		SCALE: N/A	MODEL TYPE: Wire to board connector
DWN		DATE		VIEW:	PART NO.: 2.00mm Crimp Style Connectors
CHKD		DATE		UNIT: mm/in	DWG NO.: X2026T-PXXXX-L
APPD		DATE		SIZE: A4	
KKB INDUSTRIAL PRECISION CO., LIMITED				WEIGHT	SHEET
				1.0g	1/1
				REVISION	A0