

■ Specifications :

- Voltage rating: 100V AC / DC
- Current rating: 2A AC / DC
- Withstanding voltage: 500V AC/minute
- Temperature range: -40°C~+85°C
- Insulation resistance: $\geq 500M\Omega$
- Contact resistance: $\leq 20m\Omega$
- After environmental testing : $\leq 40m\Omega$

X1515 W V S-XX-LP SW

- ① Series No.
- ② Category : W-WAFER
- ③ Welding Board Angle : V-Straight 180°
- ④ Welding Way:S-SMT
- ⑤ Row No.-Pin No.: XX-02P~15P
- ⑥ Material : LP-LCP 94V-0
- ⑦ Plating Category: SW-Matte Tin Plating

Poles	Dimensions(mm)				Poles	Dimensions(mm)			
	A	B	C	D		A	B	C	D
	7.30	1.50	4.45	6.10		17.80	12.00	14.95	5.00
	8.80	3.00	5.95	7.60		19.30	13.50	16.45	5.00
	10.30	4.50	7.45	9.10		20.80	15.00	17.95	5.00
	11.80	6.00	8.95	10.60		22.30	16.50	19.45	5.00
	13.30	7.50	10.45	12.10		23.80	18.00	20.95	5.00
	14.80	9.00	11.95	13.60		25.30	19.50	22.45	5.00
	16.30	10.50	13.45	5.00		26.80	21.00	23.95	5.00

X1515WS-XX-LPSW	LCP UL 94V-0	Phosphor Bronze	Brass	Matte Tin-Plated	X1515H
PART NO	Material	Material(pin)	Material	Finish(pin)	Suitable XKB Terminal

广东星坤科技股份有限公司

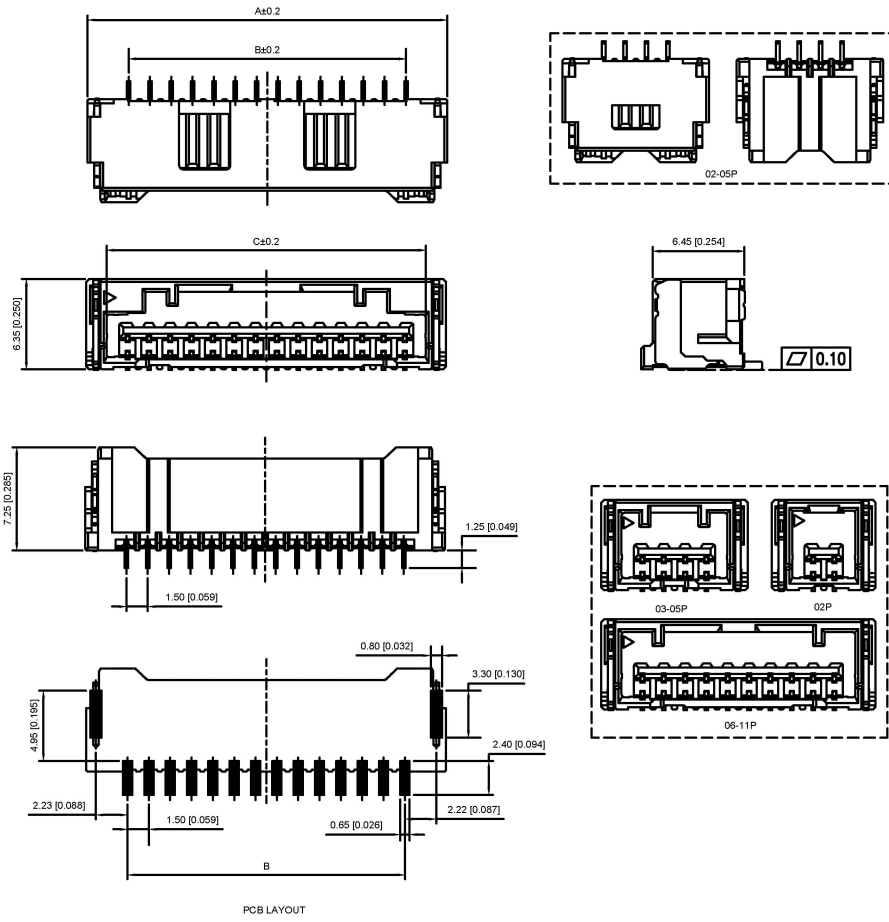
生效

日期

文件工程章

REVISIONS	DATE	REVISED	APPROVED	UNSPECIFIED TOLERANCES

DSND	DATE	SCALE: N/A	MODEL TYPE: X1515WWS-XX-LPSW
DWN	DATE	VIEW:	PART NO.: 1.5mm Crimp Style Connectors
CHKD	DATE	UNIT: mm/in	DWG NO.:
APPD	DATE	SIZE: A4	
XKB INDUSTRIAL PRECISION CO., LIMITED			WEIGHT: 1.0g
			SHEET: 1/1
			REVISION: A0



■ Specifications :

- Voltage rating: 100V AC / DC
- Current rating: 2A AC / DC
- Withstanding voltage: 500V AC/minute
- Temperature range: -40°C~+85°C
- Insulation resistance: ≥500MΩ
- Contact resistance: ≤20mΩ
- After environmental testing : ≤40mΩ

X1515 W R S-XX-LP SW

- ① Series No.
- ② Category : W-WAFER
- ③ Welding Board Angle : R-Straight 90°
- ④ Welding Way:S-SMT
- ⑤ Row No.-Pin No.: XX-02P~15P
- ⑥ Material : LP-LCP 94V-0
- ⑦ Plating Category: SW-Matte Tin Plating

Poles	Dimensions(mm)			Poles	Dimensions(mm)		
	A	B	C		A	B	C
02	7.30	1.50	4.45	09	17.80	12.00	14.95
03	8.80	3.00	5.95	10	19.30	13.50	16.45
04	10.30	4.50	7.45	11	20.80	15.00	17.95
05	11.80	6.00	8.95	12	22.30	16.50	19.45
06	13.30	7.50	10.45	13	23.80	18.00	20.95
07	14.80	9.00	11.95	14	25.30	19.50	22.45
08	16.30	10.50	13.45	15	26.80	21.00	23.95

X1515WRS-XX-LPSW	LCP UL 94V-0	Phosphor Bronze	Brass	Matte Tin-Plated	X1515H
PART NO	Material	Material(pin)	Material	Finish(pin)	Suitable XKB Terminal

广东星坤科技股份有限公司

生效

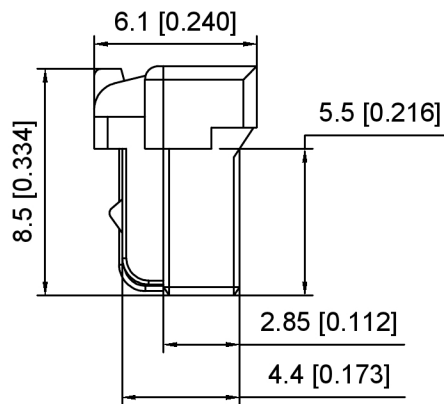
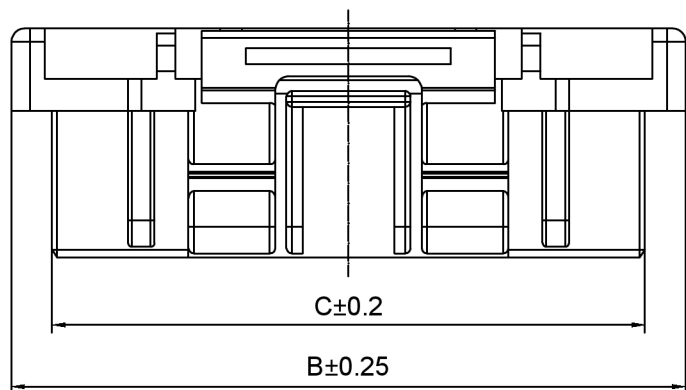
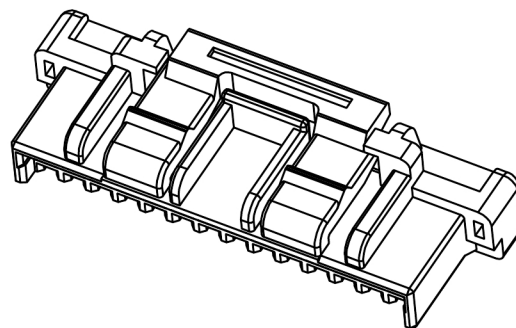
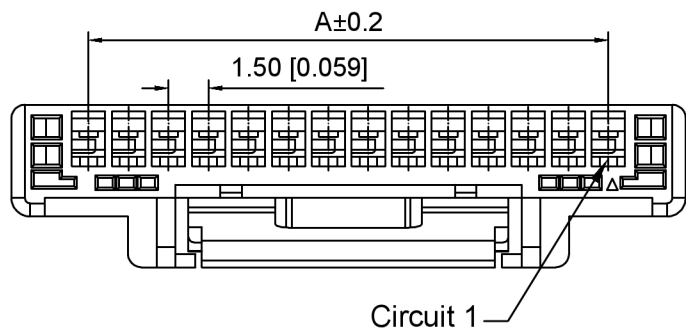
ΔX		日期
ΔX		
ΔX		
MARK	DESCRIPTION	

REVISIONS	DATE	REVISED	APPROVED	UNSPECIFIED TOLERANCES

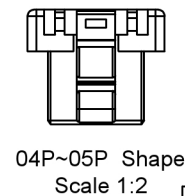
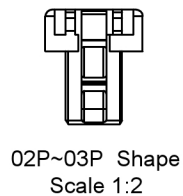
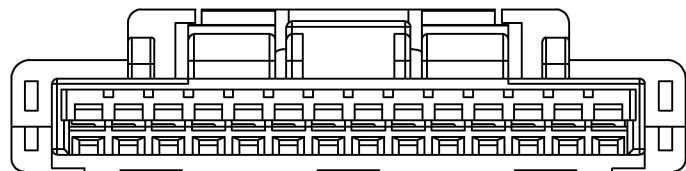
DSND	DATE	SCALE: N/A	MODEL TYPE:
DWN	DATE	VIEW:	X1515WRS-XX-LPSW
CHKD	DATE	UNIT: mm/in	PART NO.: 1.5mm Crimp Style Connectors
APPD	DATE	SIZE: A4	DWG NO.:
XKB INDUSTRIAL PRECISION CO., LIMITED			WEIGHT 1.0g
			SHEET 1/1
			REVISION A0

文件工程章

www.xk-dg.cn www.helloxkb.com www.helloxkb.cn



02P~03P Shape Scale 1:1



Specifications:
 规格:
 Voltage rating:100V AC/DC
 额定电压: 100V AC/DC
 Current rating:2A AC/DC
 额定电流: 2A AC/DC
 Withstanding voltage:500V AC/minute
 耐受电压: 500V AC/分钟
 Temperature range:-40°C~+105°C
 温度范围: -40°C~+105°C
 Insulation resistance:≥500MΩ
 绝缘电阻: ≥500MΩ
 Contact resistance:≤20mΩ
 接触电阻: ≤20mΩ

X1515 H -XX - N0 HF
 ① ② ③ ④ ⑤

- 1.Series No
- 2.Category:H-HSG
- 3.Row No.Pin No:XX-02~15P
- 4.Material:N0-PA66 94V-0
- 5.HF:Halogen Free

Poles	Dimensions(mm)			Poles	Dimensions(mm)		
	A	B	C		A	B	C
02	1.50	7.30	4.25	09	12.00	17.80	14.75
03	3.00	8.80	5.75	10	13.50	19.30	16.25
04	4.50	10.30	7.25	11	15.00	20.80	17.75
05	6.00	11.80	8.75	12	16.50	22.30	19.25
06	7.50	13.30	10.25	13	18.00	23.80	20.75
07	9.00	14.80	11.75	14	19.50	25.30	22.25
08	10.50	16.30	13.25	15	21.00	26.80	23.75

X1515H-XX-N0HF	PA66	X1515W	X1515T
PART NO	Material	Suitable XKB Wafer	Suitable XKB Terminal

DSND		SCALE: N/A	MODEL TYPE: 1.5mm Crimp Style Connector		
DWN		VIEW:	PART NO.: X1515H-XX-N0HF		
CHKD		UNIT: mm/in	DWG NO.: X-X1515H-XX-N0HF		
APPD		SIZE: A4	WEIGHT	SHEET	REVISION
			1/1		A0



XKB INDUSTRIAL PRECISION CO.,LIMITED

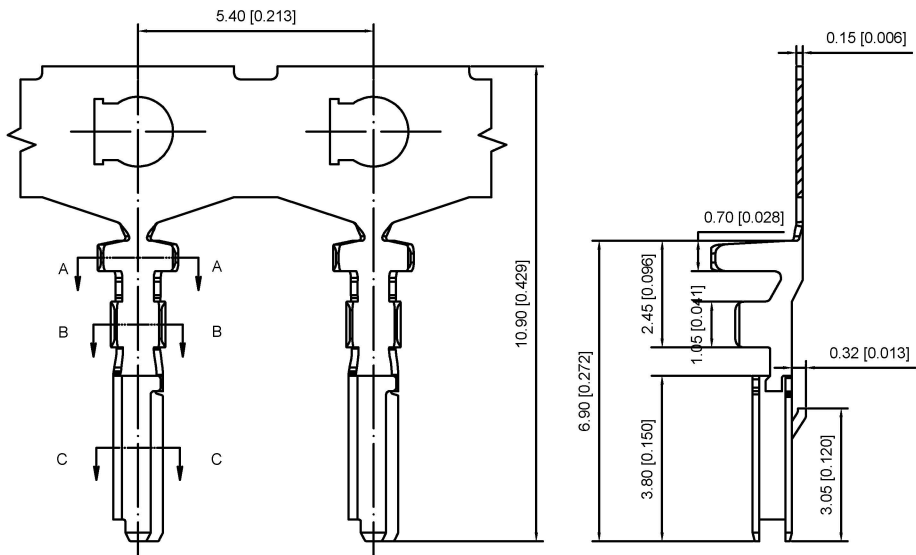
广东星坤科技股份有限公司

Δx		日期
Δx		日期
Δx		日期
MARK	DESCRIPTION	DATE

文件工程章

				ANGULAR	±5°
				L ≤ 4	±0.2
				4 < L ≤ 16	±0.3
				16 < L ≤ 63	±0.4
				L > 63	±0.5
				UNSPECIFIED TOLERANCES	

www.helloxkb.com www.helloxkb.cn www.xk-dg.cn



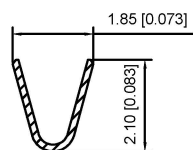
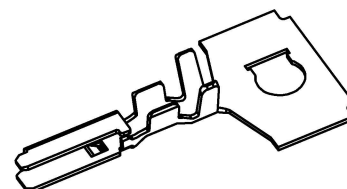
■ Specifications :

- Voltage rating: 100V AC / DC
- Current rating: 2A AC / DC
- Withstanding voltage: 500V AC/minute
- Temperature range: -40°C~+85°C
- Insulation resistance: ≥500MΩ
- Contact resistance: ≤20mΩ
- After environmental testing: ≤40mΩ

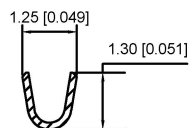
X1515 T-P SN

① ② ③ ④

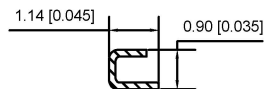
- ① Series Number
- ② Category : T-terminal
- ③ Material: P-Phosphor bronze
- ④ Plating style: SN-Bright tin plating



SECTION: A-A
SCALE: 1:1



SECTION: B-B
SCALE: 1:1



SECTION: C-C
SCALE: 1:1

X1515T-PSN	Phosphor Bronze	AWG#24-28	1.28mm(Max)	Stamping Before Plating :30u" Ni,70u" Sn	X1515H
PARY NO	Matrial	Wire Range	Insulation O.D.	Finish	Suitable XKB Terminal

广东星坤科技股份有限公司

生效

ΔX	日期
ΔX	日期
ΔX	日期
MARK	DESCRIPTION

REVISIONS

www.xk-dg.cn www.helloxkb.com www.helloxkb.cn

文件工程章

DSND	DATE	SCALE: N/A	MODEL TYPE: X1515T-PSN
DWN	DATE	VIEW:	PART NO.: 1.5mm Crimp Style Connectors
CHKD	DATE	UNIT: mm/in	DWG NO.:
APPD	DATE	SIZE: A4	
XKB INDUSTRIAL PRECISION CO., LIMITED			WEIGHT 1.0g
			SHEET 1/1
			REVISION A0

ANGLAR	±5°
L ≤ 4	±0.2
4 < L ≤ 16	±0.3
16 < L ≤ 63	±0.4
L > 63	±0.5

UNSPECIFIED TOLERANCES