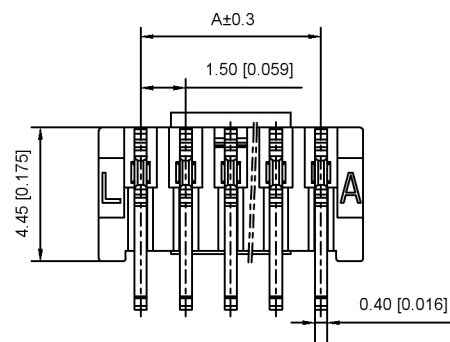
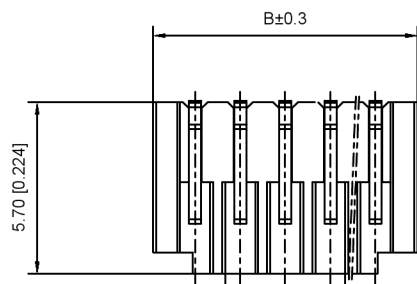


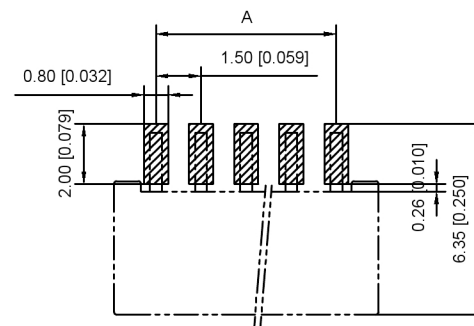
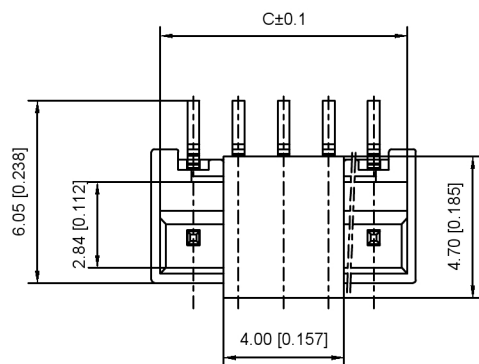
Specifications :

- Voltage rating: 350V AC / DC
- Current rating: 3A AC / DC
- Withstanding voltage: 500V AC/minute
- Temperature range: -55°C~+105°C
- Insulation resistance: ≥100MΩ
- Contact resistance: ≤20mΩ
- After environmental testing : ≤40mΩ



X1511 W V S-XX HF-LP SW
① ② ③ ④ ⑤ ⑥ ⑦ ⑧

- Series No.
- Category : W-WAFER
- Welding Board Angle : V-Straight 180°
- Welding Way:S-SMT
- Row No.-Pin No.: XX-02P~15P
- Plug the Pin & Special NO.:HF-Halogen free
- Material : 9T-PA9T;46-PA46;LP-LCP 94V-0
- Planting Category:SW-Matte Tin Plating



Poles	Dimensions(mm)		
	A	B	C
02	1.50	4.30	3.70
03	3.00	5.80	5.20
04	4.50	7.30	6.70
05	6.00	8.80	8.20
06	7.50	10.30	9.70
07	9.00	11.80	11.20
08	10.50	13.30	12.70
09	12.00	14.80	14.20
10	13.50	16.30	15.70
11	15.00	17.80	17.20
12	16.50	19.30	18.70
13	18.00	20.80	20.20
14	19.50	22.30	21.70
15	21.00	23.80	23.20

PCB LAYOUT

X1511WVS-XXHF-LPSW	LCP UL 94V-0 Halogen Free	Brass	Matte Tin Plating	X1511H
PART NO	Material	Material(Pin&Solder Tab)	Finish(Pin)	Suitable XKB Terminal

广东星坤科技股份有限公司

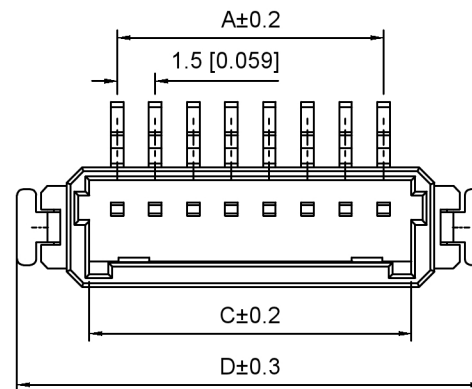
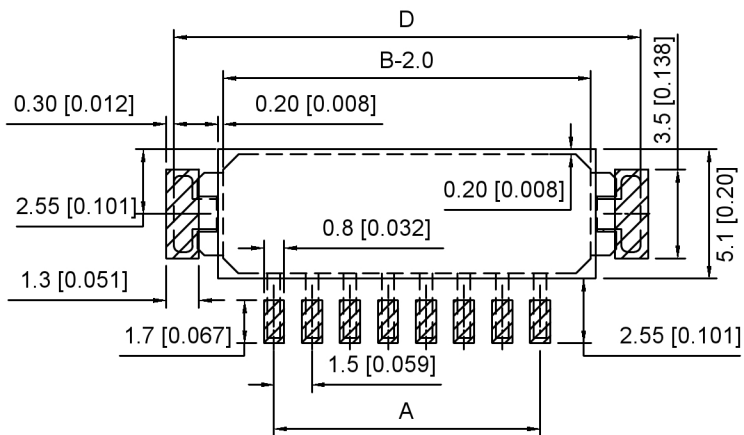
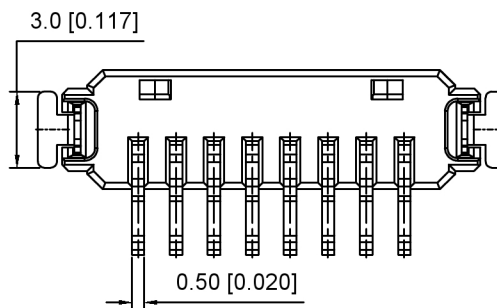
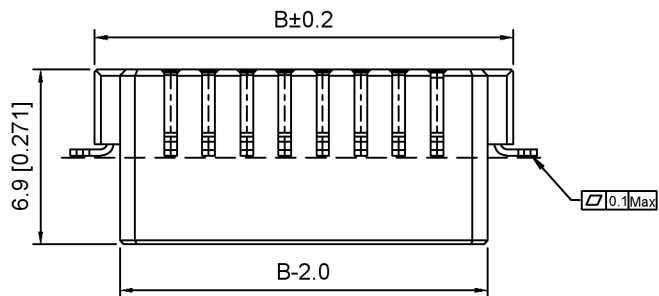
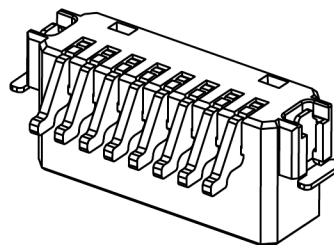
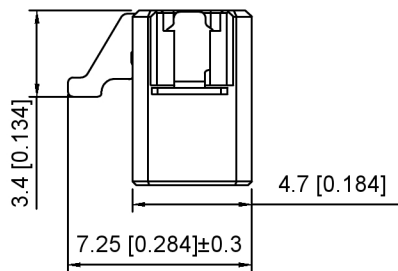
ΔX	日期
ΔX	日期
ΔX	日期
MARK	DESCRIPTION

REVISIONS	DATE	REVISED	APPROVED	DESCRIPTION
ANGLAR				±5°
L≤4				±0.2
4<L≤16				±0.3
16<L≤63				±0.4
L>63				±0.5
UNSPECIFIED TOLERANCES				

DSND	DATE	SCALE: N/A
DWN	DATE	VIEW:
CHKD	DATE	UNIT: mm/in
APPD	DATE	SIZE: A4

MODEL TYPE:	1.5mm Crimp Style Connectors
PART NO.:	X1511WVS-XXHF-XXSW
DWG NO.:	X-X1511WVS-XXHF-XXSW
WEIGHT	1.0g
SHEET	1/1
REVISION	A0

文件工程章



Recommended PCB Layout
General Tolerance: ±0.05

Specifications:

规格:

- Voltage rating: 350V AC/DC
- 额定电压: 350V AC/DC
- Current rating: A AC/DC
- 额定电流: 3A AC/DC
- Withstanding voltage: 500V AC/minute
- 耐受电压: 500V AC/分钟
- Temperature range: -40°C +105°C
- 温度范围: -40°C +105°C
- Insulation resistance: ≥500MΩ
- 绝缘电阻: ≥500MΩ
- Contact resistance: ≤10mΩ
- 接触电阻: ≤10mΩ

X1511 W V S - XX A - LP SN
① ② ③ ④ ⑤ ⑥ ⑦ ⑧

1. Series No
2. Category: W-Wafer
3. Welding Board Angle: V-Stright 180°
4. Welding Way: S-SMT
5. Row No. Pin No: XX-02~08 Pin
6. Special No: A-bonding pad on the edge; at the side
7. Material: LP-LCP UL94V-0
8. Plating: SN-Matte Tin Plated

Poles	Dimensions(mm)			
	A	B	C	D
02	1.50	7.50	3.70	9.40
03	3.00	9.00	5.20	10.90
04	4.50	10.50	6.70	12.40
05	6.00	12.50	8.20	13.90
06	7.50	13.50	9.70	15.40
07	9.00	15.00	11.20	16.90
08	10.50	16.50	12.70	18.40

X1511WVS-XXA-LPSN	LCP	Brass	X1511H-A	X1511T-A
PART NO	Material	Material(Pin)	Suitable XKB Wafer	Suitable XKB Terminal

广东星坤科技股份有限公司

文件工程章

MARK DESCRIPTION DATE REVISED APPROVED

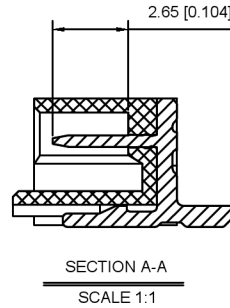
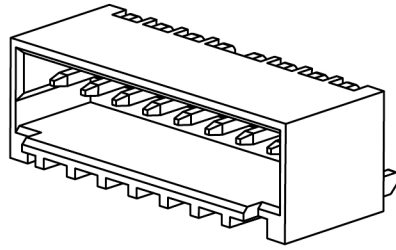
MARK	DESCRIPTION	DATE	REVISED	APPROVED
Δ#				
Δx				
Δx				
Δx				
REVISIONS				
UNSPECIFIED TOLERANCES				

ANGULAR	±5°
L ≤ 4	±0.2
4 < L ≤ 16	±0.3
16 < L ≤ 63	±0.4
L > 63	±0.5



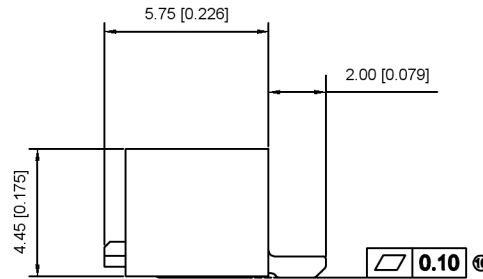
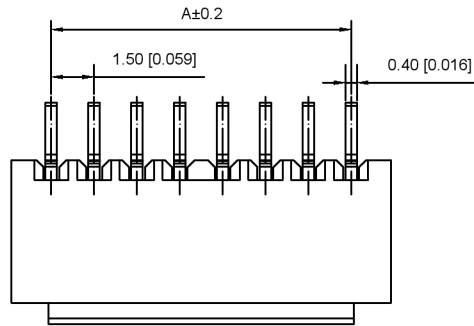
DSND		SCALE: N/A	MODEL TYPE: 1.5mm Crimp Style Connector
DWN		VIEW:	PART NO.: X1511WVS-XXA-LPSN
CHKD		UNIT: mm/in	DWG NO.: X-X1511WVS-XXA-LPSN
APPD		SIZE: A4	WEIGHT SHEET REVISION 1/1 A0

XKB INDUSTRIAL PRECISION CO., LIMITED



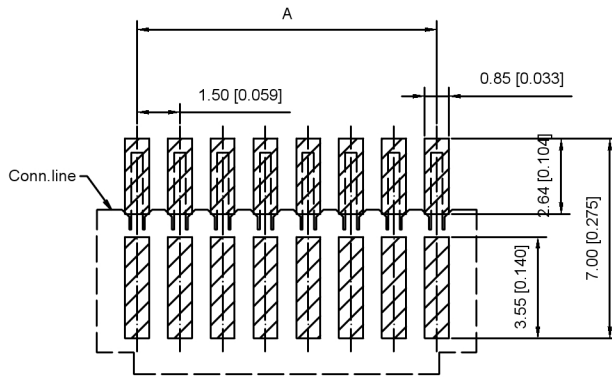
Specifications :

- Voltage rating: 350V AC / DC
- Current rating: 3A AC / DC
- Withstanding voltage: 500V AC/minute
- Temperature range: -55°C~+105°C
- Insulation resistance: $\geq 100M\Omega$
- Contact resistance: $\leq 20m\Omega$
- After environmental testing : $\leq 40m\Omega$

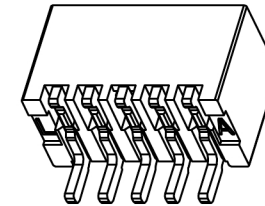
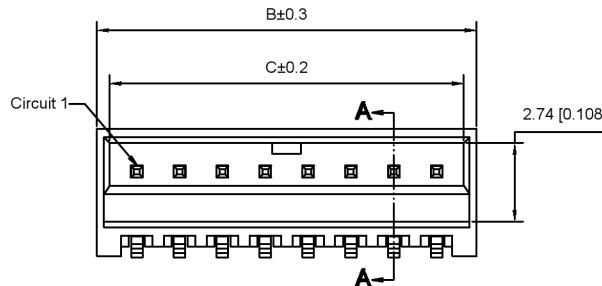


X1511 W R S-XX HF-LP SW
① ② ③ ④ ⑤ ⑥ ⑦ ⑧

- Series No.
- Category : W-WAFER
- Welding Board Angle : V-Straight 90°
- Welding Way:S-SMT
- Row No.-Pin No.: XX-02P~15P
- Plug the Pin & Special NO.:HF-Halogen free
- Material : 9T-PA9T;46-PA46;LP-LCP 94V-0
- Planting Category:SW-Matte Tin Plating



Recommended P.C.B Layout
General Tolerance±0.05



Poles	Dimensions(mm)		
	A	B	C
02	1.50	4.30	3.40
03	3.00	5.80	4.90
04	4.50	7.30	6.40
05	6.00	8.80	7.90
06	7.50	10.30	9.40
07	9.00	11.80	10.90
08	10.50	13.30	12.40
09	12.00	14.80	13.90
10	13.50	16.30	15.40
11	15.00	17.80	16.90
12	16.50	19.30	18.40
13	18.00	20.80	19.90
14	19.50	22.30	21.40
15	21.00	23.80	22.90

X1511WRS-XXHF-LP5W	LCP UL 94V-0 Halogen Free	Brass	Matte Tin Plating	X1511H
PART NO	Material	Material(Pin&Solder Tab)	Finish(Pin)	Suitable XKB Terminal

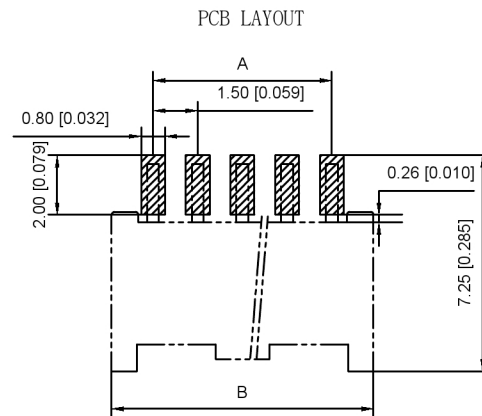
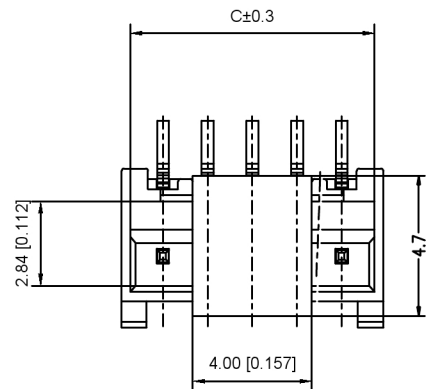
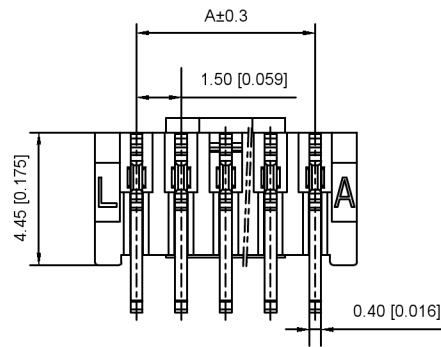
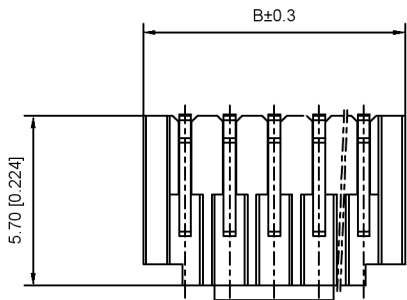
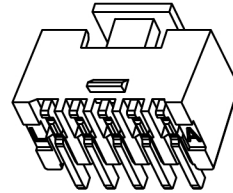
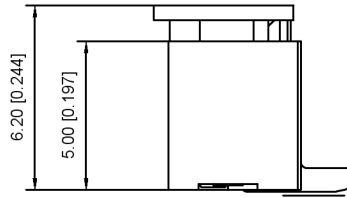
DSND	DATE	SCALE: N/A	MODEL TYPE: 1.5mm Crimp Style Connectors
DWN	DATE	VIEW:	PART NO.:
CHKD	DATE	UNIT: mm/in	X1511WRS-XXHF-XXSW
APPD	DATE	SIZE: A4	DWG NO.:
			X-X1511WRS-XXHF-XXSW
			WEIGHT
			1.0g
			SHEET
			1/1
			REVISION
			A0

广东星坤科技股份有限公司

Δx	日期
Δx	日期
Δx	日期

文件工程章

MARK	DESCRIPTION	DATE	REVISED	APPROVED	UNSPECIFIED TOLERANCES
					ANGLAR ±5°
					≤4 ±0.2
					4<L≤16 ±0.3
					16<L≤63 ±0.4
					L>63 ±0.5



Specifications :

- Voltage rating: 350V AC / DC
- Current rating: 3A AC / DC
- Withstanding voltage: 500V AC/minute
- Temperature range: -55°C~+105°C
- Insulation resistance: ≥100MΩ
- Contact resistance: ≤20mΩ
- After environmental testing : ≤40mΩ

X1511 W V S-XX L HF-LP SW
① ② ③ ④ ⑤ ⑥ ⑦ ⑧ ⑨

- ① Series No.
- ② Category : W-WAFER
- ③ Welding Board Angle : V-Straight 180°
- ④ Welding Way:S-SMT
- ⑤ Row No.-Pin No.: XX-02P~15P
- ⑥ Plug the Pin & Special NO.:L-With Lock
- ⑦ Plug the Pin & Special NO.:HF-Halogen free
- ⑧ Material : 9T-PA9T;46-PA46;LP-LCP 94V-0
- ⑨ Planting Category:SW-Matte Tin Plating

Poles	Dimensions(mm)		
	A	B	C
02	1.50	4.30	3.70
03	3.00	5.80	5.20
04	4.50	7.30	6.70
05	6.00	8.80	8.20
06	7.50	10.30	9.70
07	9.00	11.80	11.20
08	10.50	13.30	12.70
09	12.00	14.80	14.20
10	13.50	16.30	15.70
11	15.00	17.80	17.20
12	16.50	19.30	18.70
13	18.00	20.80	20.20
14	19.50	22.30	21.70
15	21.00	23.80	23.20

X1511WVS-XXLHF-LPWS	LCP UL 94V-0 Halogen Free	Brass	Matte Tin Plating	X1511H
PART NO	Material	Material(Pin&Solder Tab)	Finish(Pin)	Suitable XKB Terminal

DSND	DATE	SCALE: N/A	MODEL TYPE:	
DWN	DATE	VIEW:	1.5mm Crimp Style Connectors	
CHKD	DATE	UNIT: mm/in	PART NO.:	
APPD	DATE	SIZE: A4	X1511WVS-XXLHF-XXSW	
			DWG NO.:	
			X-X1511WVS-XXLHF-XXSW	
		WEIGHT	SHEET	REVISION
		1.0g	1/1	A0

广东星坤科技股份有限公司

Δx	日期
Δx	日期
Δx	日期
MARK	DESCRIPTION

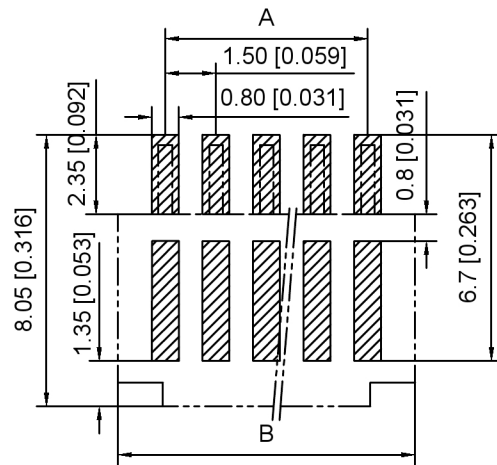
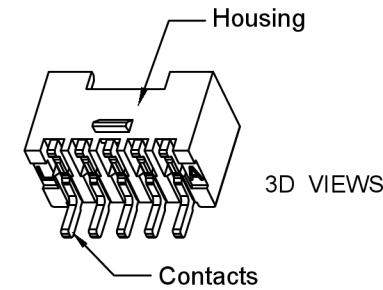
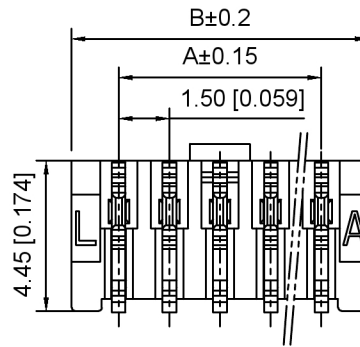
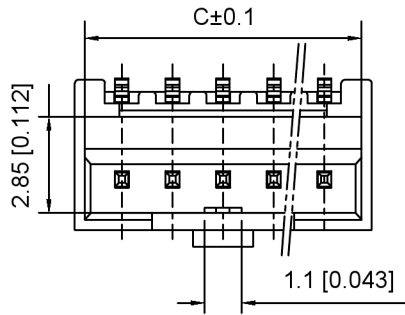
文件工程章

REVISIONS	DATE	REVISED	APPROVED	UNSPECIFIED TOLERANCES
ANGULAR				
≤4				±5°
4<L≤16				±0.2
16<L≤63				±0.3
L>63				±0.4
				±0.5

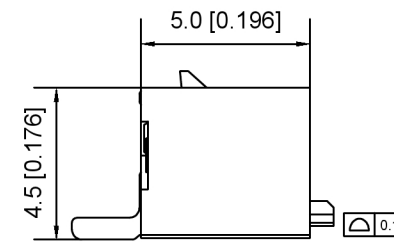
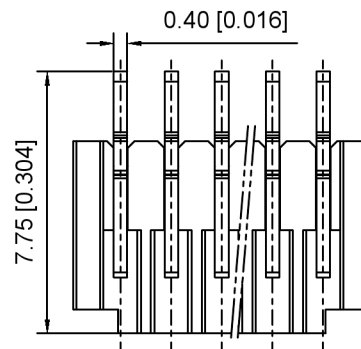
Specifications:

规格:

Voltage rating:350V AC/DC
 额定电压: 350V AC/DC
 Current rating:3A AC/DC
 额定电流: 3A AC/DC
 Withstanding voltage:500V AC/minute
 耐受电压: 500V AC/分钟
 Temperature range:-25℃-+85℃
 温度范围: -25℃-+85℃
 Insulation resistance: 1000MΩ min
 绝缘电阻: 1000MΩ Min
 Contact resistance:20mΩ Max
 接触电阻: 20mΩ Max



Recommended PCB Layout



X1511 W R S-XX L HF -LP SW
 ① ② ③ ④ ⑤ ⑥ ⑦ ⑧ ⑨

- 1.Series No
- 2.Category:W-Wafer
- 3.Welding Board Angle:R-Straight 90°
- 4.Welding Way : S-SMT
- 5.Row No.Pin No:XX-02P-15P
- 6.Special No:L-With lock
- 7.Special No:HF-Halogen Free
- 8.Material:LP-LCP UL94V-0
- 9.Plating; SW-Matte SN Plating

Poles	DIM A	DIM B	DIM C
02	1.50	4.30	3.70
03	3.00	5.80	5.20
04	4.50	7.30	6.70
05	6.00	8.80	8.20
06	7.50	10.30	9.70
07	9.00	11.80	11.20
08	10.50	13.30	12.70
09	12.00	14.80	14.20
10	13.50	16.30	15.70
11	15.00	17.80	17.20
12	16.50	19.30	18.70
13	18.00	20.80	20.20
14	19.50	22.30	21.70
15	21.00	23.80	23.20

X1511WRS-XXLHF-LPSW	LCP	Phosphor Bronze	Tin	X1511H-L
PART NO	Material	Material(Pin)	Plating	Suitable XKB Housing

DSND	SCALE: N/A	MODEL TYPE: 1.5mm Crimp Style Connector
DWN	VIEW:	PART NO.: X1511WRS-XXLHF-LPSW
CHKD	UNIT: mm/in	DWG NO.: X-X1511WRS-XXLHF-LPSW
APPD	SIZE: A4	

WEIGHT	SHEET	REVISION
	1/1	A0

ANGLAR	±5°
L ≤ 4	±0.2
4 < L ≤ 16	±0.3
16 < L ≤ 63	±0.4
L > 63	±0.5



XKIB INDUSTRIAL PRECISION CO., LIMITED

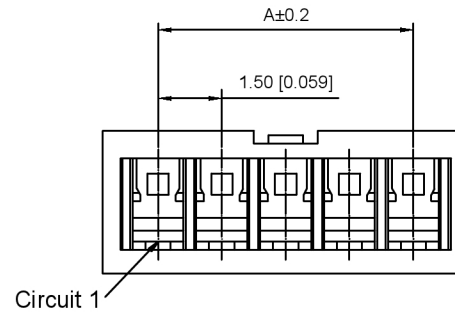
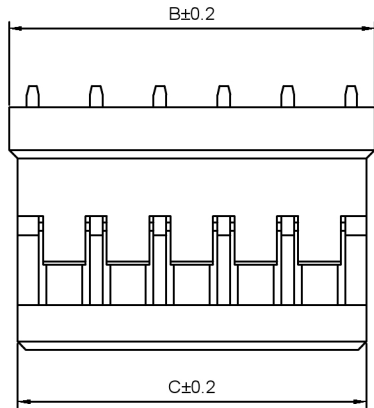
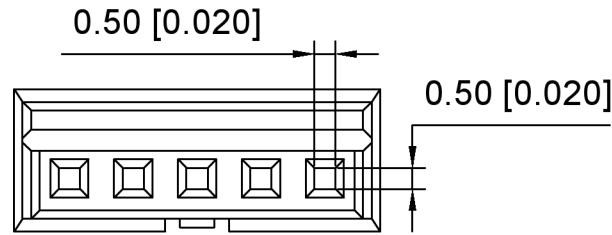
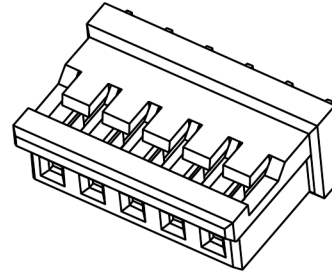
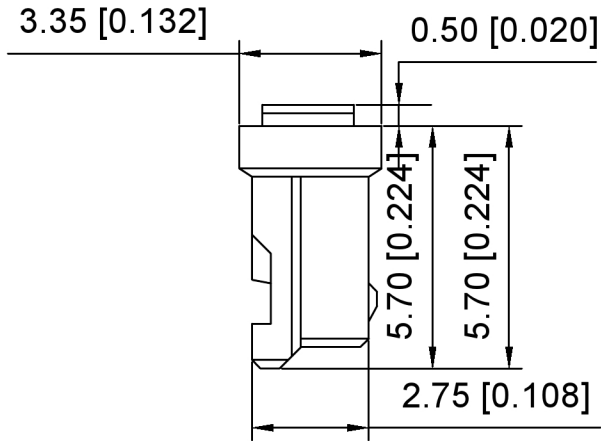
UNSPECIFIED TOLERANCES

www.helloxkb.com www.helloxkb.cn www.xk-dg.cn

广东星坤科技股份有限公司

MARK	DESCRIPTION	DATE	REVISED	APPROVED
+				
+				
+				

文件工程章



Specifications:

规格:

Voltage rating: 350V AC/DC

额定电压: 350V AC/DC

Current rating: 3A AC/DC

额定电流: 3A AC/DC

Withstanding voltage: 500V AC/minute

耐受电压: 500V AC/分钟

Temperature range: -55°C +105°C

温度范围: -55°C +105°C

Insulation resistance: ≥1000MΩ

绝缘电阻: ≥1000MΩ

Contact resistance: ≤20mΩ

接触电阻: ≤20mΩ

X1511 H - XX - N0
 ① ② ③ ④

1. Series No

2. Category: H-HSG

3. Row No. Pin No: XX-02~10P

4. Material: N0-Nylon 66 UL94V-0 ;

Poles	Dimensions(mm)			Poles	Dimensions(mm)		
	A	B	C		A	B	C
02	1.50	4.10	3.70	09	12.00	14.60	14.20
03	3.00	5.60	5.20	10	14.0	16.10	15.70
04	4.50	7.10	6.70	11	15.0	17.60	17.20
05	6.00	8.60	8.20	12	17.0	19.10	18.70
06	7.50	10.10	9.70	13	19.0	20.60	20.20
07	9.00	11.60	11.20	14	24.0	22.10	21.70
08	10.50	13.10	12.70	15	24.0	23.60	23.20

X1511H-XX-N0	PA66	X1511W	X1511T
PART NO	Material	Suitable XKB Wafer	Suitable XKB Terminal

广东星坤科技股份有限公司

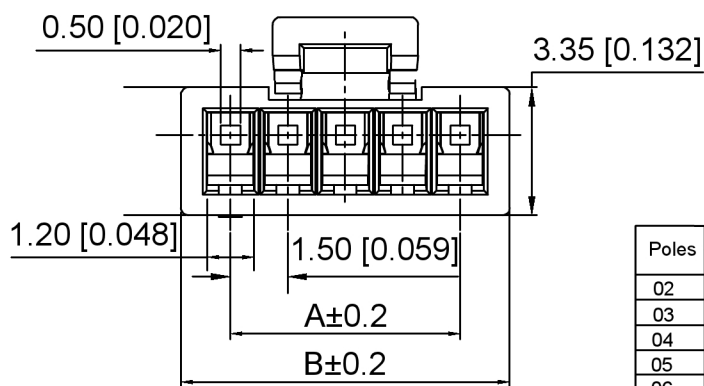
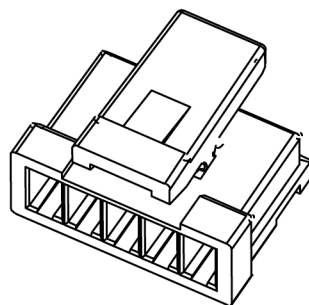
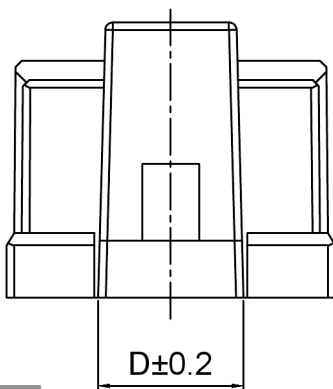
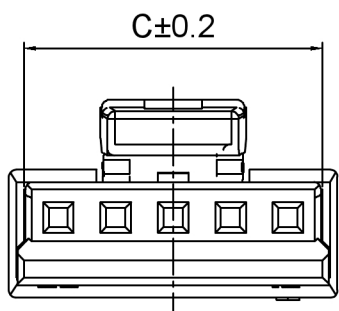
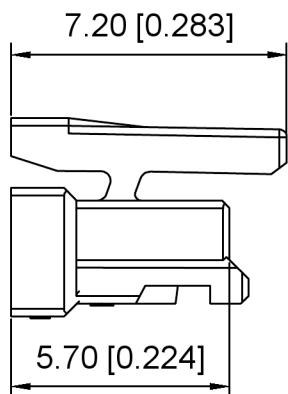
文件工程章

MARK	DESCRIPTION	DATE	REVISED	APPROVED	ANGLAR	±5°
Δ					L ≤ 4	±0.2
Δ					4 < L ≤ 16	±0.3
Δ					16 < L ≤ 63	±0.4
					L > 63	±0.5
					UNSPECIFIED TOLERANCES	



DSND		SCALE: N/A	MODEL TYPE: 1.5mm Crimp Style Connector
DWN		VIEW:	PART NO.: X1511H-XX-N0
CHKD		UNIT: mm/in	DWG NO.: X-X1511H-XX-N0
APPD		SIZE: A4	WEIGHT SHEET REVISION 1/1 A0

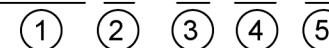
XKB INDUSTRIAL PRECISION CO., LIMITED



Specifications:

规格:
 Voltage rating: 350V AC/DC
 额定电压: 350V AC/DC
 Current rating: 3A AC/DC
 额定电流: 3A AC/DC
 Withstanding voltage: 500V AC/minute
 耐受电压: 500V AC/分钟
 Temperature range: -25°C~+85°C
 温度范围: -25°C~+85°C
 Insulation resistance: ≥1000MΩ
 绝缘电阻: ≥1000MΩ
 Contact resistance: ≤20mΩ
 接触电阻: ≤20mΩ

X1511 H - XX L - N0



1. Series No
2. Category: H-HSG
3. Row No. Pin No: XX-02~10P
4. Special No: L-With Lock
5. Material: N0- PA66 UL94V-0 ;

Poles	Dimensions(mm)			Poles	Dimensions(mm)		
	A	B	C		A	B	C
02	1.50	4.10	3.30	09	12.00	14.60	13.80
03	3.00	5.60	4.80	10	14.0	16.10	15.30
04	4.50	7.10	6.30	11	15.0	17.60	16.80
05	6.00	8.60	7.80	12	17.0	19.10	18.30
06	7.50	10.10	9.30	13	19.0	20.60	19.80
07	9.00	11.60	10.80	14	24.0	22.10	21.30
08	10.50	13.10	12.30	15	24.0	23.60	22.80

X1511H-XXL-N0	PA66	X1511W-L	X1511T-L
PART NO	Material	Suitable XKB Wafer	Suitable XKB Terminal

广东星坤科技股份有限公司

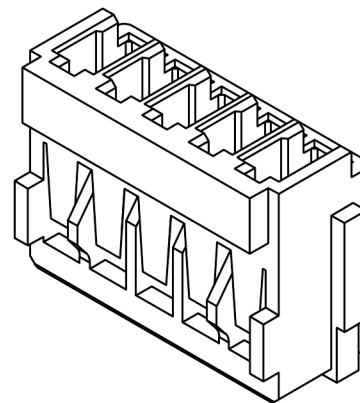
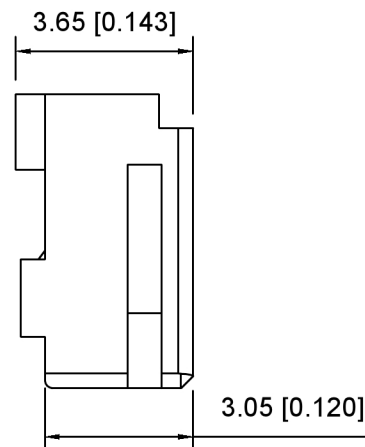
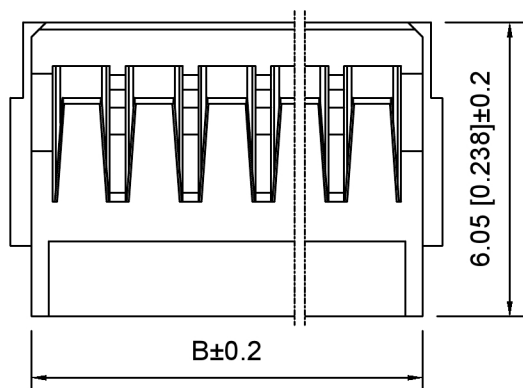
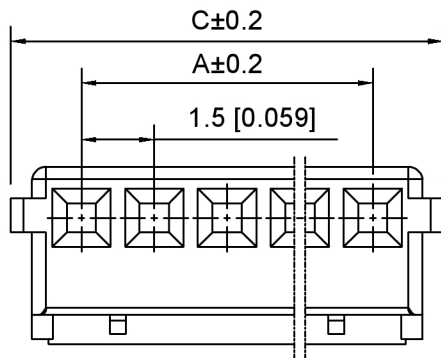
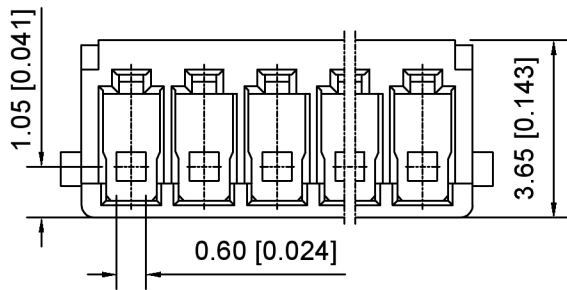
Δ	日期
Δ	日期
Δ	日期
MARK	DESCRIPTION
文件	工程章

MARK	DESCRIPTION	DATE	REVISED	APPROVED	UNSPECIFIED TOLERANCES
					ANGULAR ±5°
					L ≤ 4 ±0.2
					4 < L ≤ 16 ±0.3
					16 < L ≤ 63 ±0.4
					L > 63 ±0.5



DSND	SCALE: N/A	MODEL TYPE: 1.5mm Crimp Style Connector
DWN	VIEW:	PART NO.: X1511H-XXL-N0
CHKD	UNIT: mm/in	DWG NO.: X-X1511H-XXL-N0
APPD	SIZE: A4	WEIGHT SHEET REVISION
		1/1 A0

XKB INDUSTRIAL PRECISION CO., LIMITED



Specifications:

规格:

Voltage rating:350V AC/DC

额定电压: 350V AC/DC

Current rating:3A AC/DC

额定电流: 3A AC/DC

Withstanding voltage:500V AC/minute

耐受电压: 500V AC/分钟

Temperature range:-40°C+105°C

温度范围: -40°C+105°C

Insulation resistance:≥500MΩ

绝缘电阻: ≥500MΩ

Contact resistance:≤10mΩ

接触电阻: ≤10mΩ

X1511 H - XX A - N0
 ① ② ③ ④ ⑤

1.Series No

2.Category:H-HSG

3.Special No:A-There are convex on both sides

4.Row No.Pin No:XX-02~11P

5.Material:N0-Nylon 66 UL94V-0 ;

Poles	Dimensions(mm)		
	A	B	C
02	1.50	3.55	4.40
03	3.00	5.05	5.90
04	4.50	6.55	7.40
05	6.00	8.05	8.90
06	7.50	9.55	10.40
07	9.00	11.05	11.90
08	10.50	12.55	13.40

X1511H-XXA-N0	Nylon 66	X1511W-A	X1511T-A
PART NO	Material	Suitable XKB Wafer	Suitable XKB Terminal

广东星坤科技股份有限公司

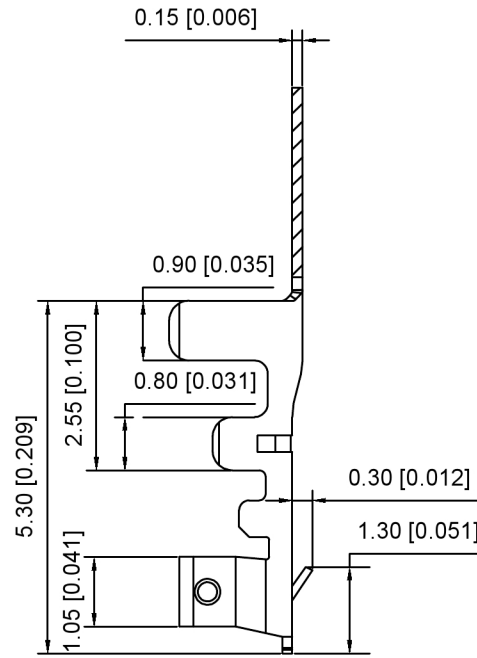
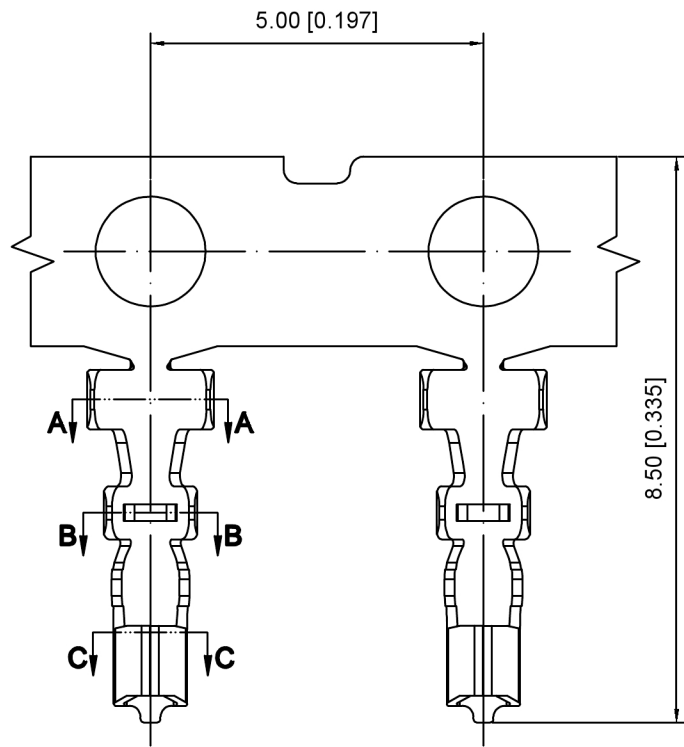
文件工程章

MARK	DESCRIPTION	DATE	REVISED	APPROVED	UNSPECIFIED TOLERANCES
Δ#					ANGULAR ±5°
Δx					L ≤ 4 ±0.2
Δx					4 < L ≤ 16 ±0.3
Δx					16 < L ≤ 63 ±0.4
					L > 63 ±0.5



DSND		SCALE: N/A	MODEL TYPE: 1.5mm Crimp Style Connector
DWN		VIEW:	PART NO.: X1511H-XXA-N0
CHKD		UNIT: mm/in	DWG NO.: X-X1511H-XXA-N0
APPD		SIZE: A4	WEIGHT SHEET REVISION 1/1 A0

XKB INDUSTRIAL PRECISION CO., LIMITED



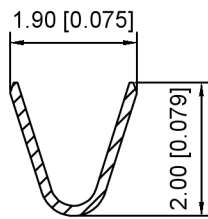
■ Specifications :

- Voltage rating: 350V AC / DC
- Current rating: 3A AC / DC
- Withstanding voltage: 500V AC/minute
- Temperature range: -55°C~+105°C
- Insulation resistance: ≥1000MΩ
- Contact resistance: ≤20mΩ
- After environmental testing: ≤40mΩ

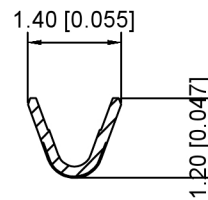
X1511 T-P SN

① ② ③ ④

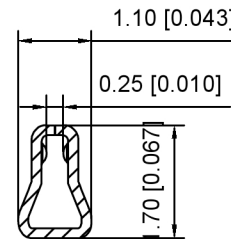
- ① Series Number
- ② Category : T-terminal
- ③ Material: P-Phosphor bronze
- ④ Plating style: SN-Bright tin plating



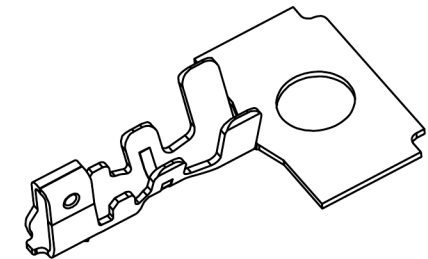
SECTION A-A
SCALE:1:1



SECTION B-B
SCALE:1:1



SECTION C-C
SCALE:1:1



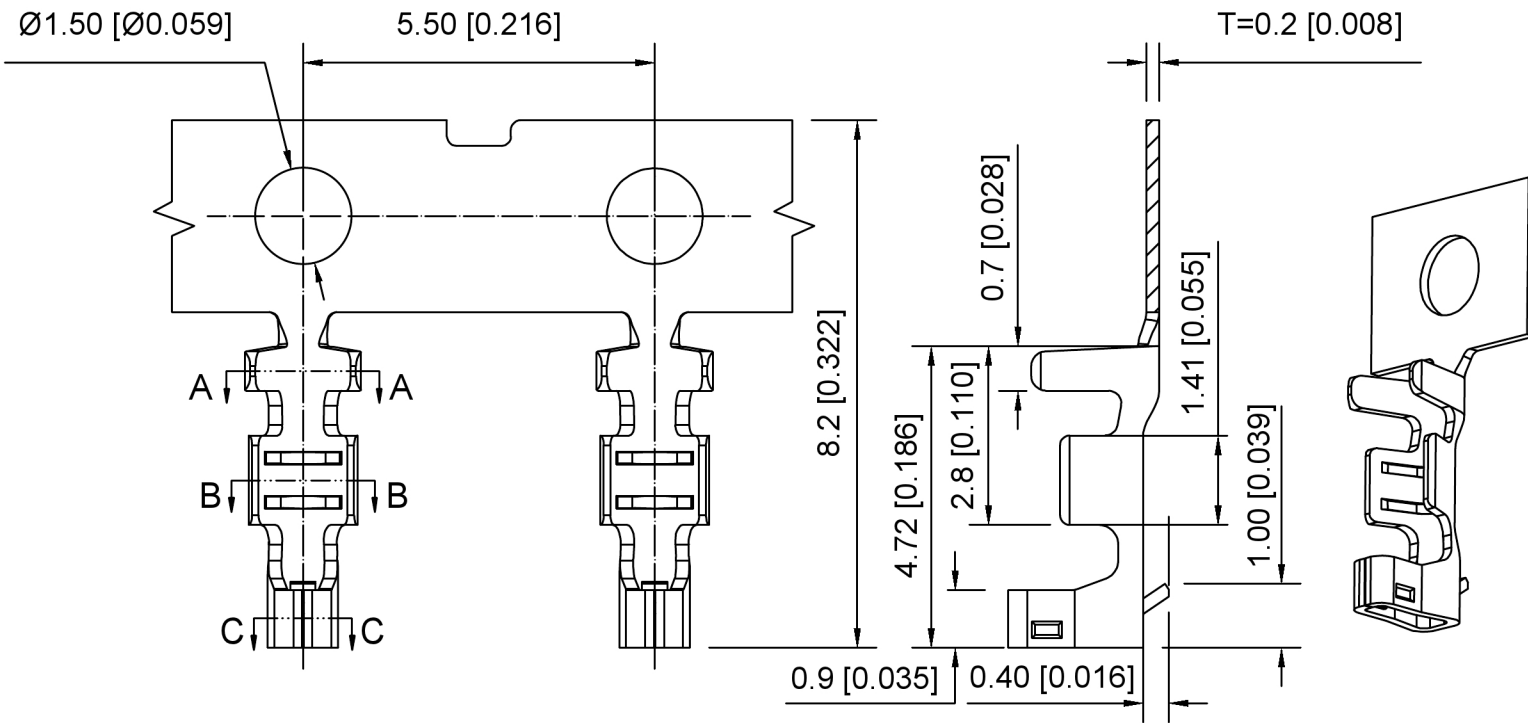
X1511T-PSN	Phosphor Bronze	AWG#24-30	1.10mm(Max)	Stamping Before Plating :30u" Ni/70u" Sn	X1511H
PARY N0	Matnal	Wire Range	Insulation O.D.	Finish	Suitable X1XB Terminal

DSND	DATE	SCALE: N/A	MODEL TYPE: 1.5mm Crimp Style Connectors
DWN	DATE	VIEW:	PART NO.: X1511T-PSN
CHKD	DATE	UNIT: mm/in	DWG NO.: X-X1511T-PSN
APPD	DATE	SIZE: A4	WEIGHT 1.0g
UNSPECIFIED TOLERANCES			SHEET 1/1
XKB INDUSTRIAL PRECISION CO., LIMITED			REVISION A0

广东星坤科技股份有限公司

ΔX	日期
Δ*	日期
Δ*	日期
MARK	DESCRIPTION

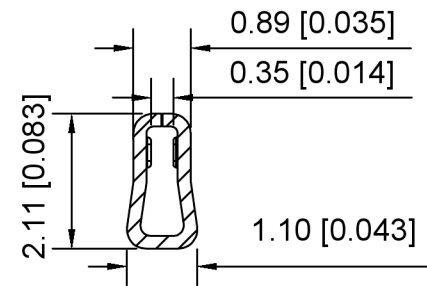
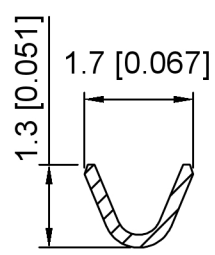
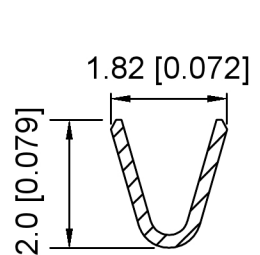
文件工程章



Specifications:
 规格:
 Voltage rating: 350V AC/DC
 额定电压: 350V AC/DC
 Current rating: 3A AC/DC
 额定电流: 3A AC/DC
 Withstanding voltage: 500V AC/minute
 耐受电压: 500V AC/分钟
 Temperature range: -40°C-+105°C
 温度范围: -40°C-+105°C
 Insulation resistance: $\geq 500\text{M}\Omega$
 绝缘电阻: $\geq 500\text{M}\Omega$
 Contact resistance: $\leq 10\text{m}\Omega$
 接触电阻: $\leq 10\text{m}\Omega$

X1511 T - P SN - A
 ① ② ③ ④ ⑤

- 1.Series No
- 2.Category:T-Terminal
- 3.Material:P-Phosphor Bronze
- 4.Plating:SN- Tin Plated ;V01-Gold Flash
- 5.Special No:Type A



X1511T-PSN-A	Phosphor Bronze	AWG#24-28 O.D1.10mm	Tin	X1511H-A
X1511T-PV01-A			Gold Flash	
PART NO	Material	Wire Range	Plating	Suitable XKB Terminal

广东星坤科技股份有限公司

MARK	DESCRIPTION	DATE	REVISED	APPROVED	UNSPECIFIED TOLERANCES
Δx					ANGULAR ±5°
Δx					L ≤ 4 ±0.2
Δx					4 < L ≤ 16 ±0.3
					16 < L ≤ 63 ±0.4
					L > 63 ±0.5



DSND	SCALE: N/A	MODEL TYPE: 1.5mm Crimp Style Connector
DWN	VIEW:	PART NO.: X1511T-PSN-A
CHKD	UNIT: mm/in	DWG NO.: X-X1511T-PSN-A
APPD	SIZE: A4	WEIGHT SHEET REVISION
XKIB INDUSTRIAL PRECISION CO., LIMITED		1/1 A0

文件工程章