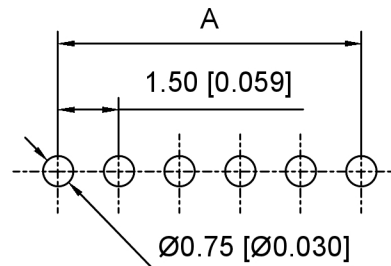
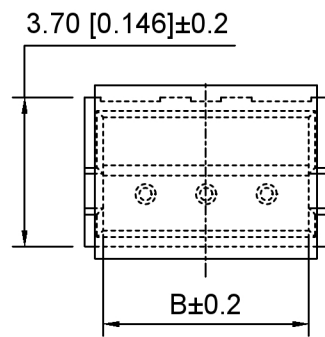
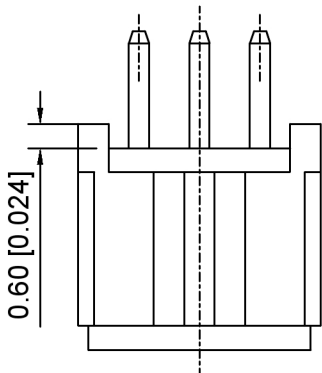


Specifications:

- 规格:
 Voltage rating: 125V AC/DC
 额定电压: 125V AC/DC
 Current rating: 1A AC/DC
 额定电流: 1A AC/DC
 Withstanding voltage: 500V AC/minute
 耐受电压: 500V AC/分钟
 Temperature range: -25°C~+105°C
 温度范围: -25°C~+105°C
 Insulation resistance: ≥500MΩ
 绝缘电阻: ≥500MΩ
 Contact resistance: ≤20mΩ
 接触电阻: ≤20mΩ

X1502 W V - XX R - LP SN
 ① ② ③ ④ ⑤ ⑥ ⑦

1. Series No
2. Category: W-Wafer
3. Welding Board Angle: V-Stright 180°
4. Row No. Pin No: XX-02~16Pin
5. Special No: R-DIP 2.3mm
6. Material: LP-LCP UL94V-0 ,Natural
CAP: LCP UL94V-0 ,Natural
7. Plating: SN- Tin Plated



Recommended PCB Layout(Top view)
Tolerance: ±0.05mm

Poles	Dimensions (mm)			Poles	Dimensions (mm)		
	A	B	C		A	B	C
02	1.50	3.60	4.50	10	13.50	15.60	16.50
03	3.00	5.10	6.00	11	15.00	17.10	18.00
04	4.50	6.60	7.50	12	16.50	18.60	19.50
05	6.00	8.10	9.00	13	18.00	20.10	21.00
06	7.50	9.60	10.50	14	19.50	21.60	22.50
07	9.00	11.10	12.00	15	21.00	23.10	24.00
08	10.50	12.60	13.50	16	22.50	24.60	25.50
09	12.00	14.10	15.00				

X1502WV-XXR-LPSN	LCP	Brass	X1502H
PART NO	Material	Material(Pin)	Suitable XKB Housing

广东星坤科技股份有限公司

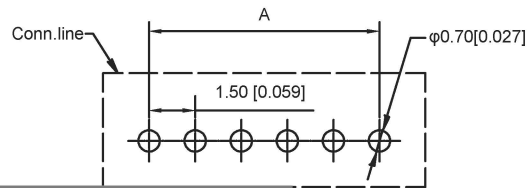
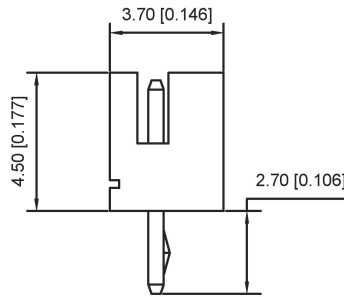
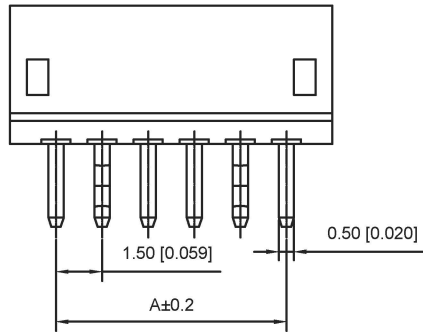
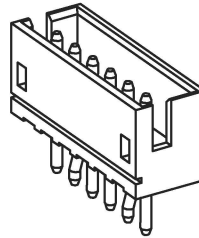
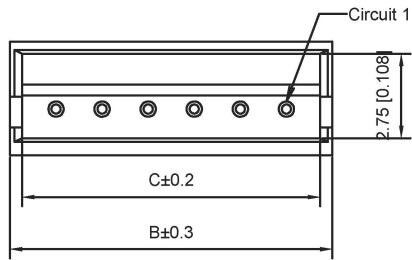
Δ生	日期
Δ改	日期
Δ效	日期

文件工程章

MARK	DESCRIPTION	DATE	REVISED	APPROVED	ANGLAR	±5°
					L ≤ 4	±0.2
					4 < L ≤ 16	±0.3
					16 < L ≤ 63	±0.4
					L > 63	±0.5
					UNSPECIFIED TOLERANCES	



DSND	SCALE: N/A	MODEL TYPE: 1.5mm Crimp Style Connector
DWN	VIEW:	PART NO.: X1502WV-XXR-LPSN
CHKD	UNIT: mm/in	DWG NO.: X-X1502WV-XXR-LPSN
APPD	SIZE: A4	WEIGHT
XKB INDUSTRIAL PRECISION CO., LIMITED		SHEET 1/1
		REVISION A0



■ Specifications :

- Voltage rating: 50 V AC / DC
- Current rating: 1A AC / DC
- Withstanding voltage: 500V AC/minute
- Temperature range: -25°C~+85°C
- Insulation resistance: ≥500MΩ
- Contact resistance: ≤20mΩ
- After environmental testing: ≤30mΩ

X1502 W R -XX K-N0 SN
 ① ② ③ ④ ⑤ ⑥ ⑦

- ① Series No.
- ② Category : W-WAFER
- ③ Welding Board Angle : V-Straight 180°
- ④ Row No.-Pin No.: XX-02P~15P
- ⑤ Plug the Pin & Special NO.:K-Kink
- ⑥ Material : N0-PA66 94V-0
- ⑦ Plating Category: Sn-Bright Tin Plating

Poles	Dimensions(mm)			Poles	Dimensions(mm)		
	A	B	C		A	B	C
02	1.50	4.50	3.70	09	12.00	15.00	14.20
03	3.00	6.00	5.20	10	13.50	16.50	15.70
04	4.50	7.50	6.70	11	15.00	18.00	17.20
05	6.00	9.00	8.20	12	16.50	19.50	18.70
06	7.50	10.50	9.70	13	18.00	21.00	20.20
07	9.00	12.00	11.20	14	19.50	22.50	21.70
08	10.50	13.50	12.70	15	21.00	24.00	23.20

X1502WV-XXK-N0SN	Nylon 66 UL 94V-0	Brass	Tin-Plated	X1502H
PART NO	Material	Material(pin)	Finish(pin)	Suitable XKB Terminal

Recommended P.C.B Layout
 General Tolerance±0.05

广东星坤科技股份有限公司

生效

ΔX	日期
ΔX	日期
ΔX	日期
MARK	DESCRIPTION

REVISIONS

DATE REVISED APPROVED

ANGLAR	±5°
L ≤ 4	±0.2
4 < L ≤ 16	±0.3
16 < L ≤ 63	±0.4
L > 63	±0.5

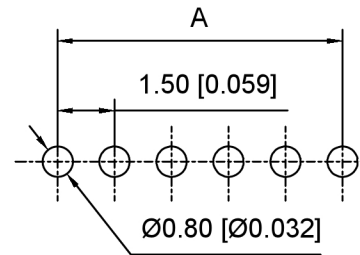
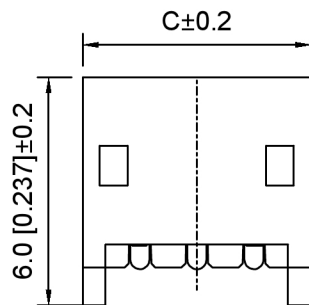
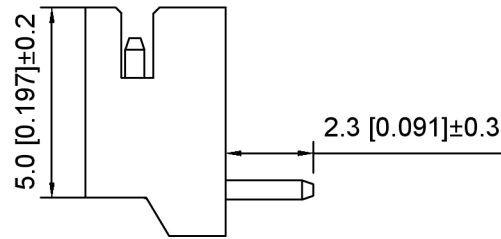
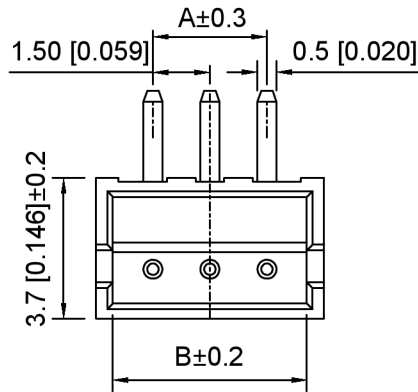
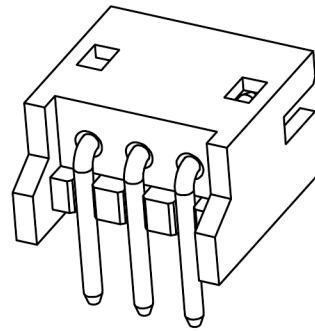
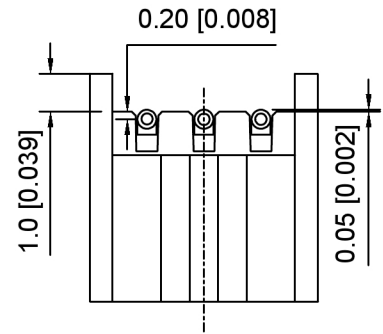
UNSPECIFIED TOLERANCES

DSND	DATE	SCALE: N/A	MODEL TYPE: X1502WV-XXK-N0SN
DWN	DATE	VIEW:	PART NO.: 1.5mm Crimp Style Connectors
CHKD	DATE	UNIT: mm/in	DWG NO.:
APPD	DATE	SIZE: A4	
XKB INDUSTRIAL PRECISION CO., LIMITED			WEIGHT 1.0g
			SHEET 1/1
			REVISION A0

文件工程章

www.xk-dg.cn

www.helloxkb.com www.helloxkb.cn



Recommended PCB Layout(Top view)
Tolerance:±0.05mm

Specifications:

规格:

Voltage rating:125V AC/DC

额定电压: 125V AC/DC

Current rating:1A AC/DC

额定电流: 1A AC/DC

Withstanding voltage:500V AC/minute

耐受电压: 500V AC/分钟

Temperature range:-25°C~+105°C

温度范围: -25°C~+105°C

Insulation resistance:≥500MΩ

绝缘电阻: ≥500MΩ

Contact resistance:≤20mΩ

接触电阻: ≤20mΩ

X1502 W R - XX R - LP SN
① ② ③ ④ ⑤ ⑥ ⑦

- 1.Series No
- 2.Category:W-Wafer
- 3.Welding Board Angle:R-Stright 90°
- 4.Row No.Pin No:XX-02~16Pin
- 5.Special No:R-DIP 2.3mm
- 6.Material:LP-LCP UL94V-0 ,Natural
- 7.Plating:SN- Tin Plated

Poles	Dimensions (mm)			Poles	Dimensions (mm)		
	A	B	C		A	B	C
02	1.50	3.60	4.50	10	13.50	15.60	16.50
03	3.00	5.10	6.00	11	15.00	17.10	18.00
04	4.50	6.60	7.50	12	16.50	18.60	19.50
05	6.00	8.10	9.00	13	18.00	20.10	21.00
06	7.50	9.60	10.50	14	19.50	21.60	22.50
07	9.00	11.10	12.00	15	21.00	23.10	24.00
08	10.50	12.60	13.50	16	22.50	24.60	25.50
09	12.00	14.10	15.00				

X1502WR-XXR-LPSN	LCP	Brass	X1502H
PART NO	Material	Material(Pin)	Suitable XKB Housing

DSND		SCALE: N/A	MODEL TYPE: 1.5mm Crimp Style Connector
DWN		VIEW:	PART NO.: X1502WR-XXR-LPSN
CHKD		UNIT: mm/in	DWG NO.: X-X1502WR-XXR-LPSN
APPD		SIZE: A4	



XKB INDUSTRIAL PRECISION CO.,LIMITED

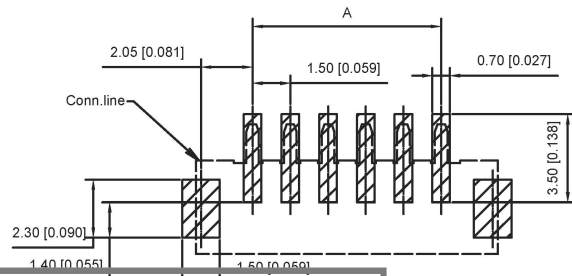
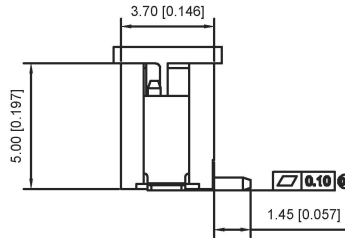
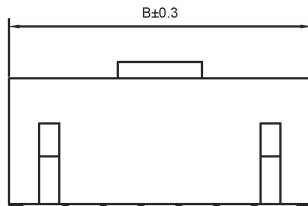
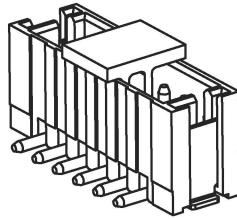
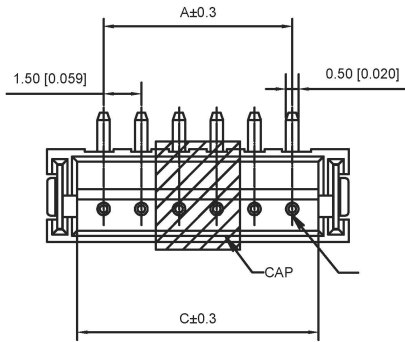
WEIGHT	SHEET	REVISION
	1/1	A0

广东星坤科技股份有限公司

MARK	DESCRIPTION	DATE	REVISED	APPROVED
ΔX				
ΔX				
Δ效				

文件工程章

REVISIONS	UNSPECIFIED TOLERANCES
ANGLAR ±5°	
L≤ 4 ±0.2	
4<L≤ 16 ±0.3	
16<L≤ 63 ±0.4	
L> 63 ±0.5	



Recommended P.C.B Layout
General Tolerance±0.05

■ Specifications :

- Voltage rating: 50 V AC / DC
- Current rating: 1A AC / DC
- Withstanding voltage: 500V AC/minute
- Temperature range: -25°C~+85°C
- Insulation resistance: ≥500MΩ
- Contact resistance: ≤20mΩ
- After environmental testing : ≤30mΩ

X1502 W V S-XX-XX SN

- ① Series No.
- ② Category : W-WAFER
- ③ Welding Board Angle : V-Straight 180°
- ④ Welding Way:S-SMT
- ⑤ Row No.-Pin No.: XX-02P~15P
- ⑥ Material : 9T-PA9T;6T-PA6T;LP-LCP 94V-0
- ⑦ Plating Category: Sn-Bright Tin Plating

Poles	Dimensions(mm)			Poles	Dimensions(mm)		
	A	B	C		A	B	C
02	1.50	6.00	3.60	09	12.00	16.50	14.10
03	3.00	7.50	5.10	10	13.50	18.00	15.60
04	4.50	9.00	6.60	11	15.00	19.50	17.10
05	6.00	10.50	8.10	12	16.50	21.00	18.60
06	7.50	12.00	9.60	13	18.00	22.50	20.10
07	9.00	13.50	11.10	14	19.50	24.00	21.60
08	10.50	15.00	12.60	15	21.00	25.50	23.10

X1502WVS-XXHF-LPSW	LCP UL 94V-0 Halogen Free			
X1502WVS-XX-6TSN	PA6T UL 94V-0	Brass	Tin-Plated	X1502H
X1502WVS-XX-9TSN	PA9T UL 94V-0			
PART NO	Material	Material(pin)	Finish(pin)	Suitable XKB Terminal

广东星坤科技股份有限公司

生效

MARK	DESCRIPTION	DATE	REVISED	APPROVED
ΔX				
ΔX				
ΔX				

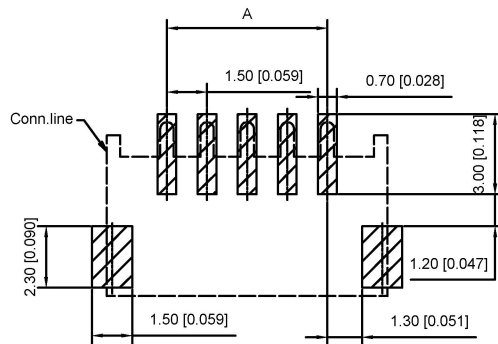
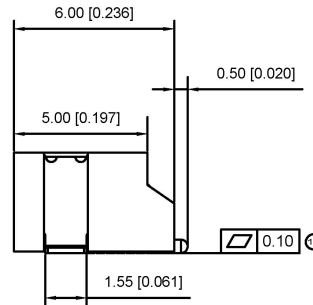
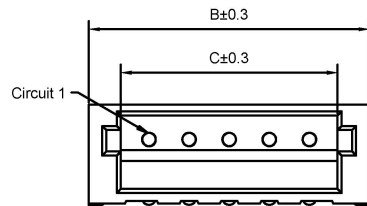
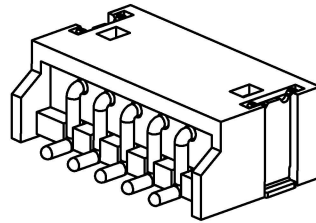
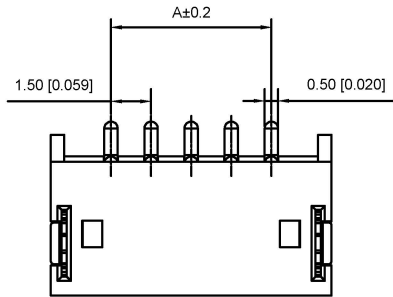
日期

REVISIONS

www.xk-dg.cn www.helloxkb.com www.helloxkb.cn

文件工程章

DSND	DATE	SCALE: N/A	MODEL TYPE: X1502WVS-XX-9TSN
DWN	DATE	VIEW:	PART NO.: 1.5mm Crimp Style Connectors
CHKD	DATE	UNIT: mm/in	DWG NO.:
APPD	DATE	SIZE: A4	
XKB INDUSTRIAL PRECISION CO., LIMITED			WEIGHT 1.0g
			SHEET 1/1
			REVISION A0



■ Specifications :

- Voltage rating: 50 V AC / DC
- Current rating: 1A AC / DC
- Withstanding voltage: 500V AC/minute
- Temperature range: -25°C~+85°C
- Insulation resistance: ≥500MΩ
- Contact resistance: ≤20mΩ
- After environmental testing : ≤30mΩ

X1502 W R S-XX-XX SN

- ① Series No.
- ② Category : W-WAFER
- ③ Welding Board Angle : R-Straight 90°
- ④ Welding Way:S-SMT
- ⑤ Row No.-Pin No.: XX-02P~15P
- ⑥ Material : 9T-PA9T;6T-PA6T;LP-LCP 94V-0
- ⑦ Plating Category: Sn-Bright Tin Plating

Poles	Dimensions(mm)			Poles	Dimensions(mm)		
	A	B	C		A	B	C
02	1.50	6.00	3.60	09	12.00	16.50	14.10
03	3.00	7.50	5.10	10	13.50	18.00	15.60
04	4.50	9.00	6.60	11	15.00	19.50	17.10
05	6.00	10.50	8.10	12	16.50	21.00	18.60
06	7.50	12.00	9.60	13	18.00	22.50	20.10
07	9.00	13.50	11.10	14	19.50	24.00	21.60
08	10.50	15.00	12.60	15	21.00	25.50	23.10

X1502WRS-XXHF-LPSW	LCP UL 94V-0 Halogen Free			
X1502WRS-XX-6TSN	PA6T UL 94V-0	Brass	Tin-Plated	X1502H
X1502WRS-XX-9TSN	PA9T UL 94V-0			
PART NO	Material	Material(pin)	Finish(pin)	Suitable XKB Terminal

Recommended P.C.V Layout
(General Tolerance±0.05)

广东星坤科技股份有限公司

生效

MARK	DESCRIPTION	DATE	REVISED	APPROVED
ΔX				
ΔX				
ΔX				

REVISIONS

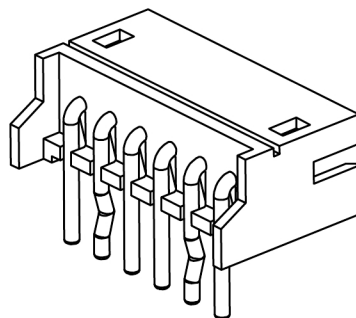
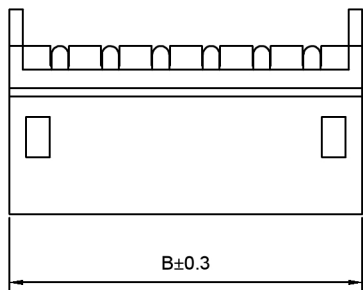
www.xk-dg.cn www.helloxkb.com www.helloxkb.cn

文件工程章

ANGLAR	±5°
L ≤ 4	±0.2
4 < L ≤ 16	±0.3
16 < L ≤ 63	±0.4
L > 63	±0.5

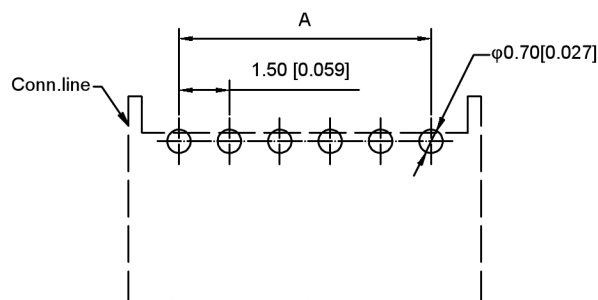
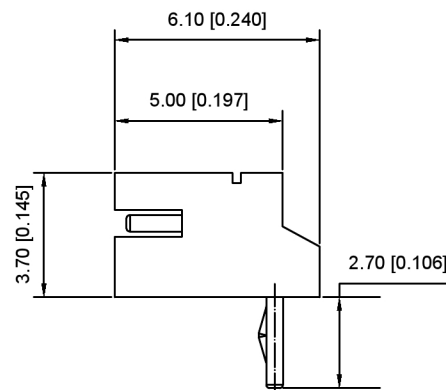
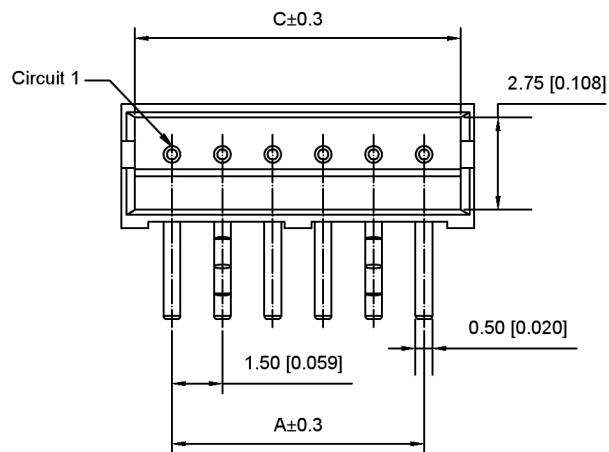
UNSPECIFIED TOLERANCES

DSND	DATE	SCALE: N/A	MODEL TYPE: X1502WRS-XX-9TSN
DWN	DATE	VIEW:	PART NO.: 1.5mm Crimp Style Connectors
CHKD	DATE	UNIT: mm/in	DWG NO.:
APPD	DATE	SIZE: A4	
XKB INDUSTRIAL PRECISION CO., LIMITED			WEIGHT 1.0g
			SHEET 1/1
			REVISION A0

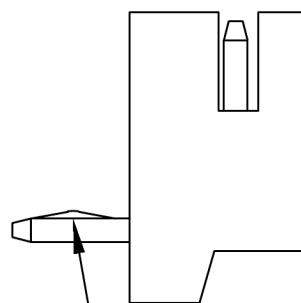


Specifications :

- Voltage rating: 50 V AC / DC
- Current rating: 1A AC / DC
- Withstanding voltage: 500V AC/minute
- Temperature range: -25°C~+85°C
- Insulation resistance: ≥500MΩ
- Contact resistance: ≤20mΩ
- After environmental testing : ≤30mΩ



Recommended P.C.B Layout
General Tolerance±0.05



可定制打点样式
2~4AWD打点位置在最两边
5~nAWD打点位置在两边第二针

X1502 WR -XX K-N0 SN
① ② ③ ④ ⑤ ⑥ ⑦

- ① Series No.
- ② Category : W-WAFER
- ③ Welding Board Angle : R-Straight 90°
- ④ Row No.-Pin No.: XX-02P~15P
- ⑤ Plug the Pin & Special NO.:K-Kink
- ⑥ Material : N0-PA66 94V-0
- ⑦ Plating Category: Sn-Bright Tin Plating

Poles	Dimensions(mm)			Poles	Dimensions(mm)		
	A	B	C		A	B	C
02	1.50	4.50	3.70	09	12.00	15.00	14.20
03	3.00	6.00	5.20	10	13.50	16.50	15.70
04	4.50	7.50	6.70	11	15.00	18.00	17.20
05	6.00	9.00	8.20	12	16.50	19.50	18.70
06	7.50	10.50	9.70	13	18.00	21.00	20.20
07	9.00	12.00	11.20	14	19.50	22.50	21.70
08	10.50	13.50	12.70	15	21.00	24.00	23.20

X1502WR-XXK-N0SN	Nylon 66 UL 94V-0	Brass	Tin-Plated	X1502H
PART NO	Material	Material(pin)	Finish(pin)	Suitable XKB Terminal

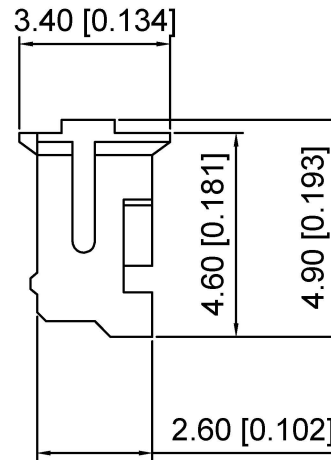
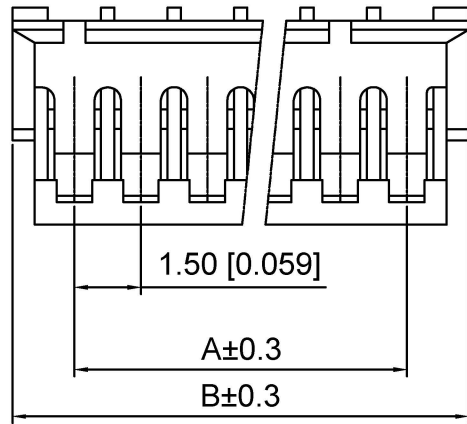
广东星坤科技股份有限公司

ΔX	日期				ANGLAR	±5°
ΔX					L ≤ 4	±0.2
ΔX					4 < L ≤ 16	±0.3
MARK	DESCRIPTION	DATE	REVISED	APPROVED	16 < L ≤ 63	±0.4
					L > 63	±0.5

DSND		DATE		SCALE: N/A	MODEL TYPE: X1502WR-XXK-N0SN
DWN		DATE		VIEW:	PART NO.: 1.5mm Crimp Style Connectors
CHKD		DATE		UNIT: mm/in	DWG NO.:
APPD		DATE		SIZE: A4	

文件工程章	REVISIONS	UNSPECIFIED TOLERANCES
www.xk-dg.cn www.helloxkb.com www.helloxkb.cn		

XKB INDUSTRIAL PRECISION CO., LIMITED			WEIGHT 1.0g	SHEET 1/1	REVISION A0
---------------------------------------	--	--	----------------	--------------	----------------

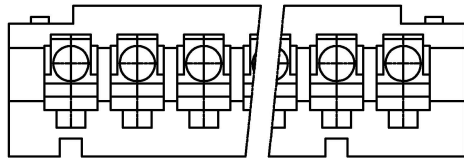


■ Specifications :

- Voltage rating: 50 V AC / DC
- Current rating: 1A AC / DC
- Withstanding voltage: 500V AC/minute
- Temperature range: -25°C~+85°C
- Insulation resistance: ≥500MΩ
- Contact resistance: ≤20mΩ
- After environmental testing: ≤30mΩ

X1502 H-XX-N0
① ② ③ ④

- ① Series Number
- ② Category : H-HSG
- ③ Row No.Pin No:xx-02-15P
- ④ Material:N0-PA66 94V-0



Poles	Dimensions(mm)		Poles	Dimensions(mm)	
	A	B		A	B
02	1.50	4.5	09	12.00	15.0
03	3.00	6.0	10	14.0	16.5
04	4.50	7.5	11	15.0	18.0
05	6.00	9.0	12	17.0	19.5
06	7.50	10.5	13	19.0	21.0
07	9.00	12.0	14	24.0	
08	10.50	13.5	15	24.0	

X1515H-XX-N0	PA66 UL 94V-0	X1502T	X1502W
PARY NO	Material	Suitable XKB Terminal	Suitable XKB Terminal

广东星坤科技股份有限公司

生效

ΔX	日期
ΔX	日期
ΔX	日期
MARK	DESCRIPTION

REVISIONS	DATE	REVISED	APPROVED	UNSPECIFIED TOLERANCES

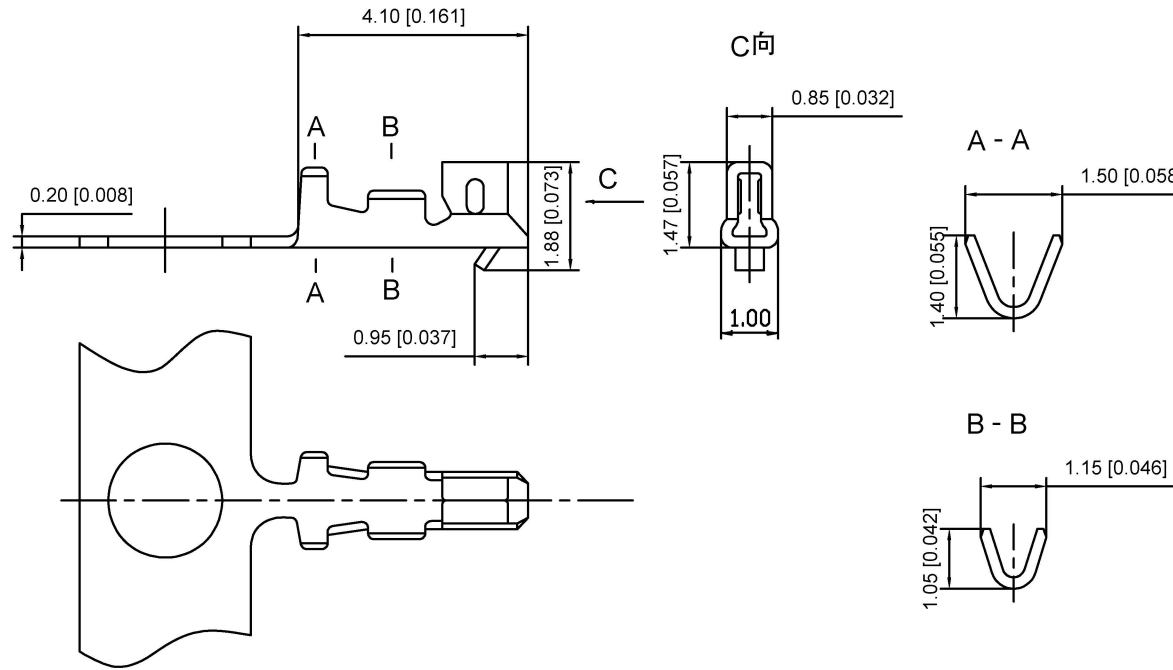
DSND	DATE	SCALE: N/A	MODEL TYPE: X1502H-XX-N0
DWN	DATE	VIEW:	PART NO.: 1.5mm Crimp Style Connectors
CHKD	DATE	UNIT: mm/in	DWG NO.:
APPD	DATE	SIZE: A4	
XKB INDUSTRIAL PRECISION CO., LIMITED			WEIGHT 1.0g
			SHEET 1/1
			REVISION A0

文件工程章

www.xk-dg.cn www.helloxkb.com www.helloxkb.cn

■ Specifications :

- Voltage rating: 50 V AC / DC
- Current rating: 1A AC / DC
- Withstanding voltage: 500V AC/minute
- Temperature range: -25°C~+85°C
- Insulation resistance: ≥500MΩ
- Contact resistance: ≤20mΩ
- After environmental testing: ≤30mΩ



X1502 T-P SN

- ① Series Number
 ② Category : T-terminal
 ③ Material: P-Phosphor bronze
 ④ Plating style: SN-Bright tin plating

X1502T-PSN	Phosphor Bronze	AWG#26-32	1.20mm(Max)	Stamping Before Plating :30u" Ni,70u" Sn	X1502H
PART NO	Material	Wire Range	Insulation O.D.	Finish	Suitable XKB Terminal

广东星坤科技股份有限公司

生效

日期

文件工程章

DSND	DATE	SCALE: N/A	MODEL TYPE: X1502T-PSN
DWN	DATE	VIEW:	PART NO.: 1.5mm Crimp Style Connectors
CHKD	DATE	UNIT: mm/in	DWG NO.:
APPD	DATE	SIZE: A4	
UNSPECIFIED TOLERANCES			WEIGHT
XKB INDUSTRIAL PRECISION CO., LIMITED			SHEET
			REVISION
			1.0g
			1/1
			A0

REVISIONS

www.xk-dg.cn www.helloxkb.com www.helloxkb.cn