

■ Specifications :

- Voltage rating: 50V AC / DC
- Current rating: 1.5A AC / DC
- Withstanding voltage: 500V AC/minute
- Temperature range: -25°C~+85°C
- Contact resistance: ≤20mΩ
- Insulation resistance: ≥100MΩ
- After environmental testing: ≤40mΩ

X1224H-XX-N0

① ② ③ ④

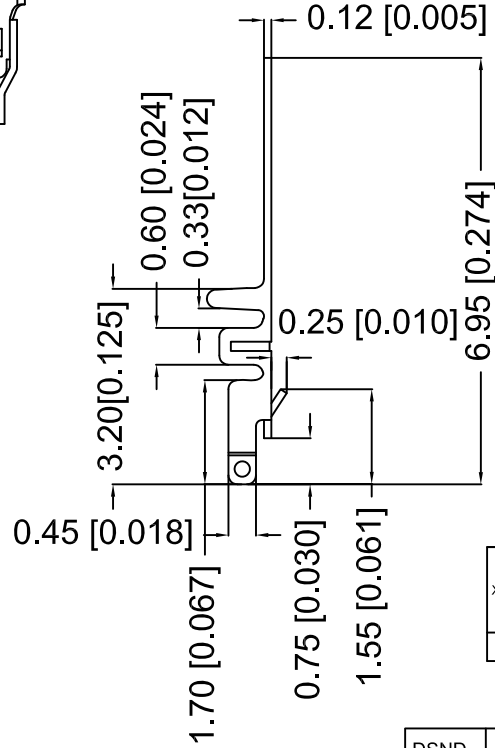
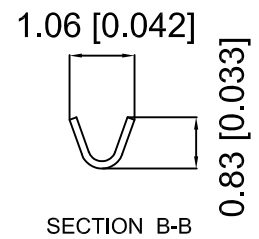
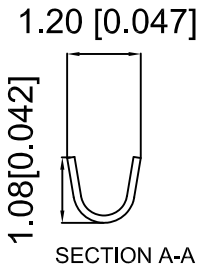
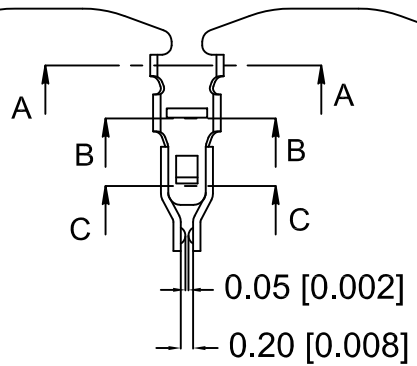
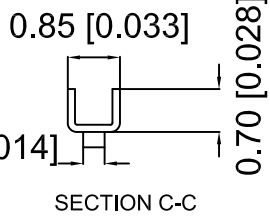
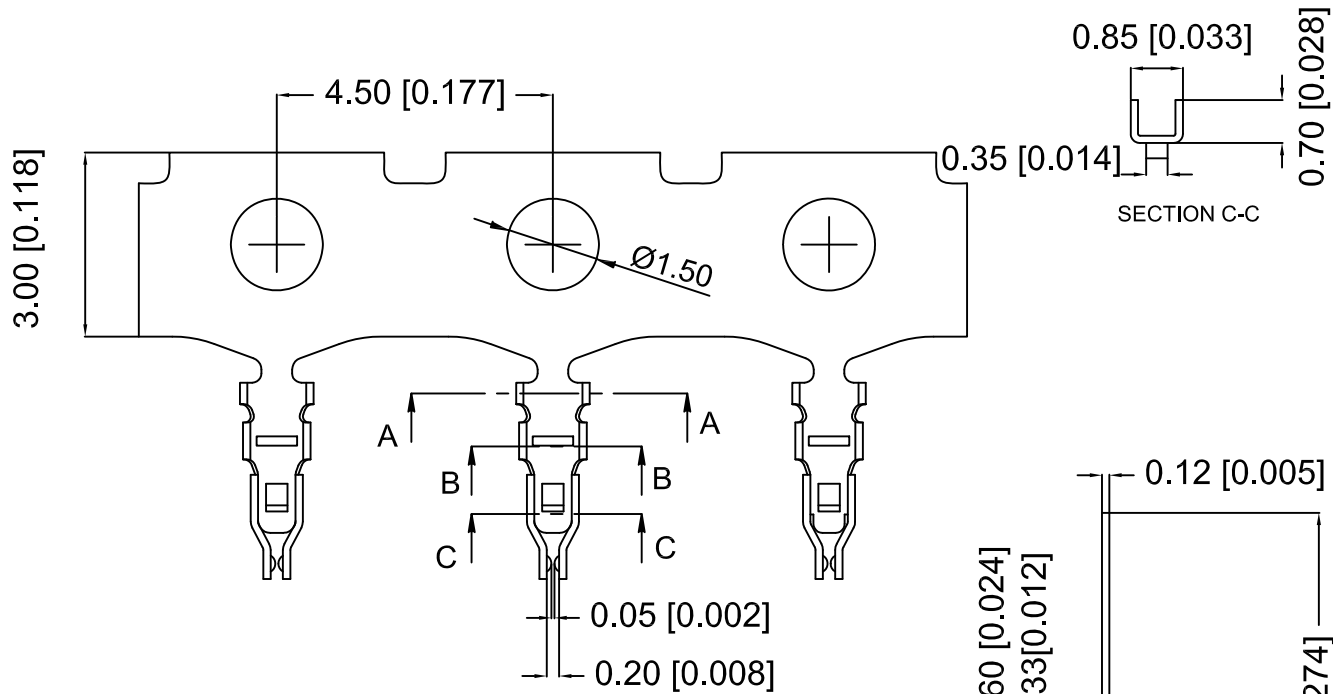
- ① Series No.
- ② Category: H-HSG
- ③ Row No.Pin No.XX-02P-10P
- ④ Material:N0-PA66 94V-0

Poles	Dimensions(mm)		
	A	C	B
2	1.20	2.60	3.10
3	2.40	3.80	4.30
4	3.60	5.00	5.50
5	4.80	6.20	6.70
6	6.00	7.40	7.90
7	7.20	8.60	9.10
8	8.40	9.80	10.30
9	9.60	11.00	11.50
10	10.80	12.20	12.70

X1224H-XX-N0	N0-PA66 94V-0	X1224T	X1224W
PART NO	Material	Suitable XKB Terminal	Suitable XKB Terminal

DSND		DATE		SCALE: N/A	MODEL TYPE: X1224H-XX-N0	
DWN		DATE		VIEW:	PART NO.: 1.2mm Crimp Style Connectors	
CHKD		DATE		UNIT: mm/in	DWG NO.:	
APPD		DATE		SIZE: A4		
XKB INDUSTRIAL PRECISION CO.,LIMITED				WEIGHT	SHEET	REVISION
				1.0g	1/1	A0

					ANGLAR	±5°
Δx					L ≤ 4	±0.2
Δx					4 < L ≤ 16	±0.3
Δx					16 < L ≤ 63	±0.4
MARK					L > 63	±0.5
REVISIONS					UNSPECIFIED TOLERANCES	
www.xk-dg.cn www.helloxkb.com www.helloxkb.cn						



SPECIFICATIONS
 Current Rating: 1.5A AC, DC
 Voltage Rating: 50V AC, DC
 Temperature Range: -25°C ~ +85°C
 Contact Resistance: 20mΩ Max.
 Insulation Resistance: 100MΩ Min.
 Withstanding Voltage: 500V AC/minute
 Material: Phosphor Bronze

X1224 T- P V01
 ① ② ③ ④

- ① Series No.
- ② Category : T-terminal
- ③ Material: P-Phosphor bronze
- ④ Plating Style:
V01-All Gold Flash

X1224T-PV01	Phospho Bronze	AWG#28-30	0.70mm	Stamping Before Pating: 30u" Ni; Whole Gold: Gold Flash	X1224H
PART No	Material	Wire Range	Insulation O.D.	Finish	Suitable XKB Terminal

						ANGULAR	±5°
Δx						L ≤ 4	±0.2
Δx						4 < L ≤ 16	±0.3
Δx						16 < L ≤ 63	±0.4
MARK	DESCRIPTION	DATE	REVISED	APPROVED		L > 63	±0.5
REVISIONS						UNSPECIFIED TOLERANCES	
www.xk-dg.cn www.helloxkb.com www.helloxkb.cn							

DSND		DATE		SCALE: N/A	MODEL TYPE: X1224T-PV01	
DWN		DATE		VIEW:	PART NO.: 1.20mm Crimp Style Connectors	
CHKD		DATE		UNIT: mm/in	DWG NO.:	
APPD		DATE		SIZE: A4		
XKB INDUSTRIAL PRECISION CO., LIMITED				WEIGHT	SHEET	REVISION
				1.0g	1/1	A0