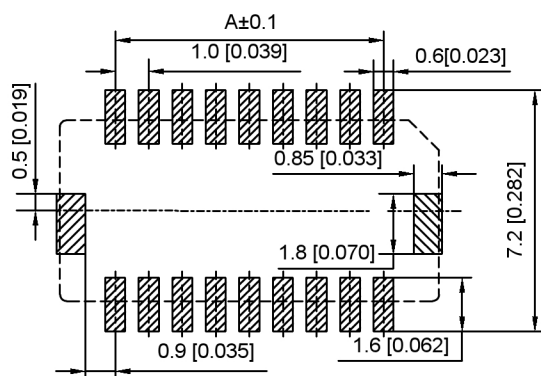


### Specifications :

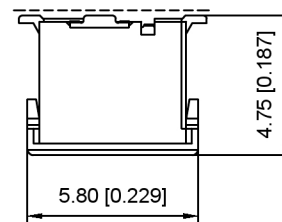
- Voltage rating: 50 V AC / DC
- Current rating: 1A AC / DC
- Withstanding voltage: 500V AC/minute
- Temperature range: -25°C~+85°C
- Insulation resistance: ≥100MΩ
- Contact resistance: ≤20mΩ

X1011 W V S-2\*XX- 9T XX  
① ② ③ ④ ⑤ ⑥ ⑦

- ① Series No.
- ② Category : W-WAFER
- ③ Wedging Board Angle : V-Stright 180°
- ④ Welding Way:S-SMT
- ⑤ Row No.Pin No.2\*02-2\*25
- ⑥ Material:9T-PA9T 94V-0
- ⑦ Planting Category:SN-Bright tin plating  
V01-All Gold Flash



PCB LAYOUT



Poles	Dimensions(mm)			Poles	Dimensions(mm)		
	A	B	C		A	B	C
2*02	1.00	4.30	2.5	2*14	13.0	16.30	14.5
2*03	2.00	5.30	3.5	2*15	14.0	17.30	15.5
2*04	3.00	6.30	4.5	2*16	15.0	18.30	16.5
2*05	4.00	7.30	5.5	2*18	17.0	20.30	18.5
2*06	5.00	8.30	6.5	2*20	19.0	22.30	20.5
2*08	7.00	10.30	8.5	2*25	24.0	27.30	25.5
2*10	9.00	12.30	10.5				
2*11	10.00	13.30	11.5				
2*12	11.00	14.30	12.5				

X1011WVS-2*XX-9TV01	PA9T UL 94V-0	Phosphor Bronze	Gold-Flash	X1011H
X1011WVS-2*XX-9TSN	PA9T UL 94V-0	Phosphor Bronze	TIN-Plated	
PART NO	Material	Material(Pin And Solder Tabs)	Finish(Pin And Solder Tabs)	Suitable Xk&B Terminal

广东星坤科技股份有限公司

MARK	DESCRIPTION	DATE	REVISED	APPROVED
Δ非				
Δ改				
Δ效				

文件工程章

MARK	DESCRIPTION	DATE	REVISED	APPROVED
	REVISIONS			
	UNSPECIFIED TOLERANCES			

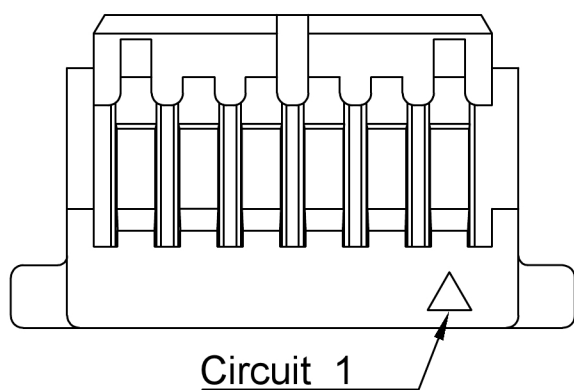
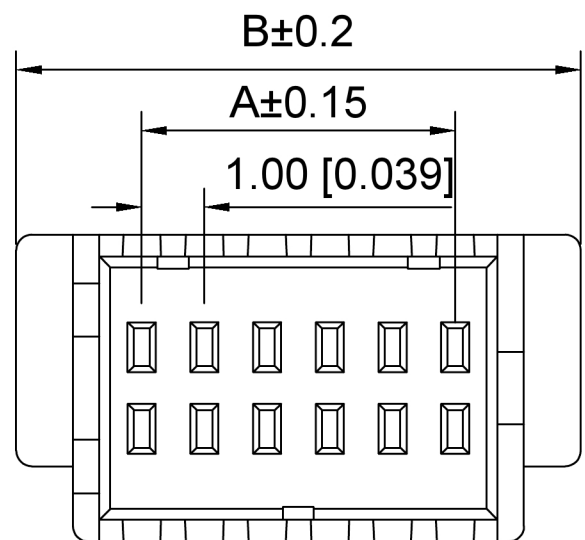
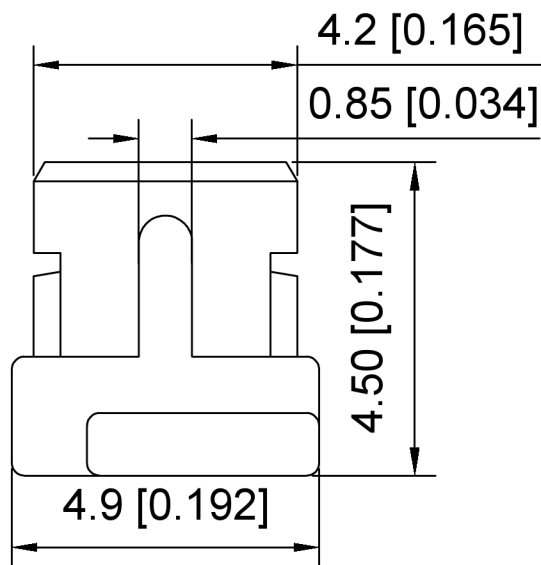
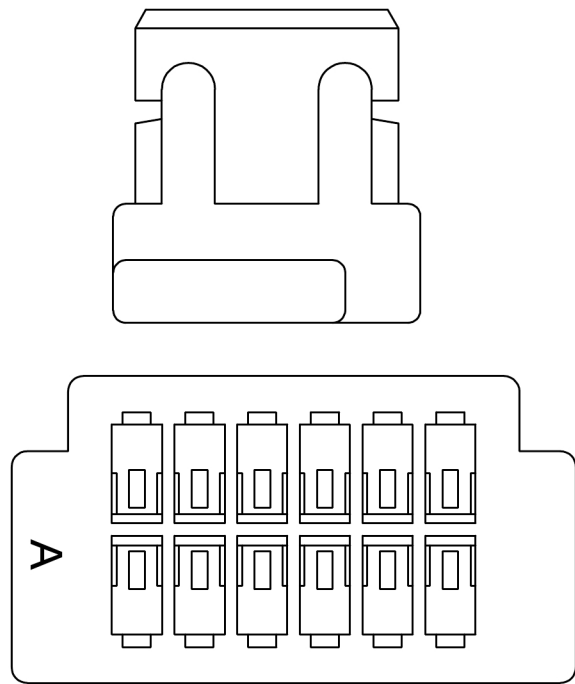
ANGLAR	±5°
L ≤ 4	±0.2
4 < L ≤ 16	±0.3
16 < L ≤ 63	±0.4
L > 63	±0.5



DSND		SCALE: N/A	MODEL TYPE: 1.0mm Crimp Style Connector
DWN		VIEW:	PART NO.: X1011WVS-2xXX-9TV01
CHKD		UNIT: mm/in	DWG NO.: X-X1011WVS-2xXX-9TV01
APPD		SIZE: A4	WEIGHT SHEET REVISION 1/1 A0

XKB INDUSTRIAL PRECISION CO., LIMITED





Specifications:  
 规格:  
 Voltage rating:50V AC/DC  
 额定电压: 50V AC/DC  
 Current rating:1A AC/DC  
 额定电流: 1A AC/DC  
 Withstanding voltage:500V  
 AC/minute  
 耐受电压: 500V AC/分钟  
 Temperature range:-40℃~+85℃  
 温度范围: -40℃~+85℃  
 Insulation resistance: 100MΩ min  
 绝缘电阻: 100MΩ Min  
 Contact resistance:20mΩ Max  
 接触电阻: 20mΩ Max

X1011 H - 2xXX- N0 HF

① ② ③ ④ ⑤

- 1.Series No
- 2.Category:H-HSG
- 3.Row No.Pin No:2x05~2x25
- 4.Material:N0-Nylon66  
(White) UL 94V-0
- 5:HF-Halogen Free

Poles	Dimensions/mm	
	A	B
2x05	4.00	8.00
2x06	5.00	9.00
2x08	7.00	11.00
2x09	8.00	12.00
2x10	9.00	13.00
2x15	14.00	18.00
2x20	19.00	23.00
2x25	24.00	28.00

X1011H-2xXX-N0HF	Nylon66	X1011W	X1011T
PART NO	Material	Suitable XKB Wafer	Suitable XKB Terminal

DSND	SCALE: N/A	MODEL TYPE: 1.0mm Crimp Style Connector		
DWN	VIEW:	PART NO.: X1011H-2xXX-N0HF		
CHKD	UNIT: mm/in	DWG NO.: X-X1011H-2xXX-N0HF		
APPD	SIZE: A4	WEIGHT	SHEET	REVISION
UNSPECIFIED TOLERANCES			1/1	A0



XKB INDUSTRIAL PRECISION CO.,LIMITED

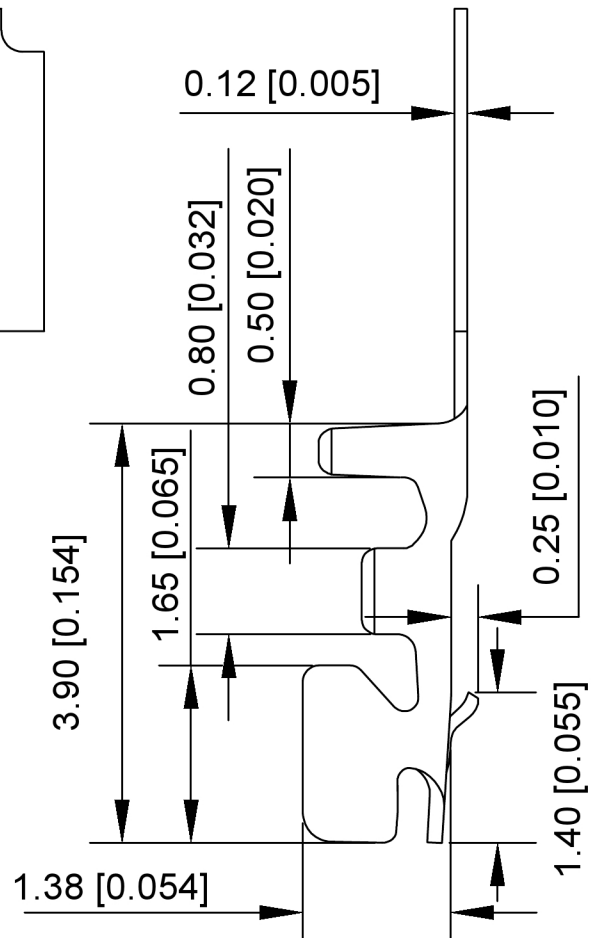
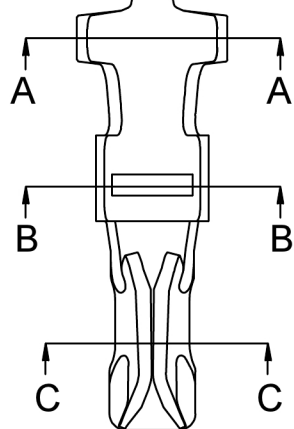
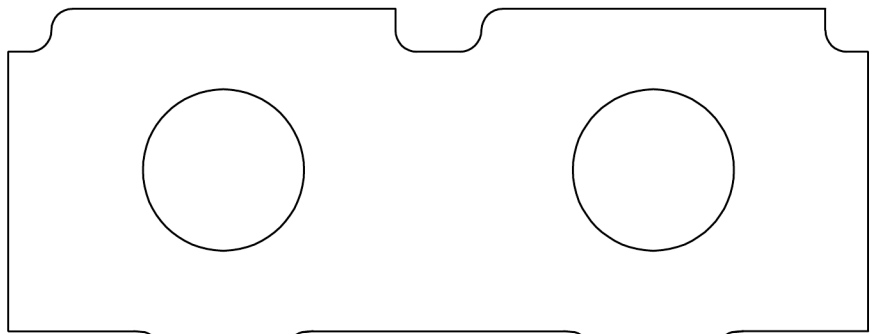
广东星坤科技股份有限公司

ΔX	日期
Δx	
ΔX	
MARK	DESCRIPTION

文件工程章

					ANGULAR	±5°
					L ≤ 4	±0.2
					4 < L ≤ 16	±0.3
					16 < L ≤ 63	±0.4
					L > 63	±0.5
					UNSPECIFIED TOLERANCES	

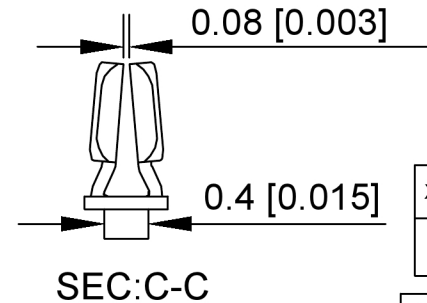
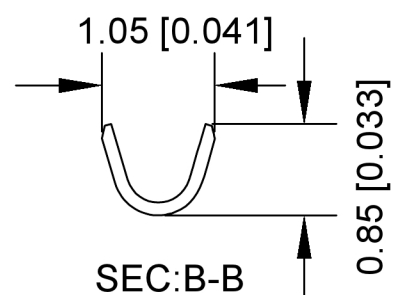
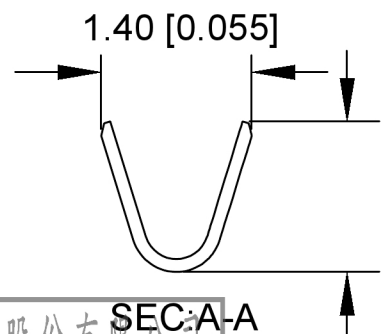
www.helloxkb.com www.helloxkb.cn www.xk-dg.cn



- Specifications :
- Voltage rating: 50 V AC / DC
  - Current rating: 1A AC / DC
  - Withstanding voltage: 500V AC/minute
  - Temperature range: -25°C~+85°C
  - Insulation resistance: ≥100MΩ
  - Contact resistance: ≤20mΩ
  - Material: Phosphor Bronze
  - Finish: Plated Tin over Nickel
  - Applicable wires :AWG#28-#32
  - Insulation O.D.0.4 to 0.8mm

X1011 T-P SN  
① ② ③ ④

- ① Series No
- ② Category : T-terminal
- ③ Material:P-Phosphor bronze
- ④ Plating style:  
SN-Bright tin plating



X1011T-PSN	Phosphor bronze	Tin	X1011W	X1011H
PART NO	Material	Plating	Suitable XKB Wafer	Suitable XKB Housing

DSND		SCALE: N/A	MODEL TYPE:
DWN		VIEW:	1.0mm Crimp Style Connectors
CHKD		UNIT: mm/in	PART NO.:
APPD		SIZE: A4	X1011T-PSN
			DWG NO.:
			X-X1011T-PSN
			WEIGHT
			SHEET
			REVISION
			1/1
			A0

广东星坤科技股份有限公司

MARK	DESCRIPTION	DATE	REVISED	APPROVED
文件工程章				

ANGULAR	±5°
L ≤ 4	±0.2
4 < L ≤ 16	±0.3
16 < L ≤ 63	±0.4
L > 63	±0.5
UNSPECIFIED TOLERANCES	



XKB INDUSTRIAL PRECISION CO., LIMITED