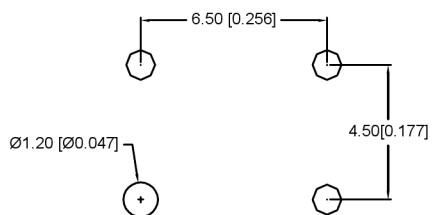
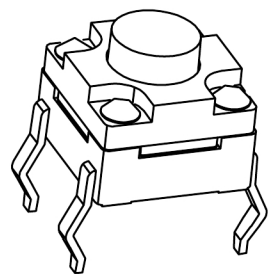
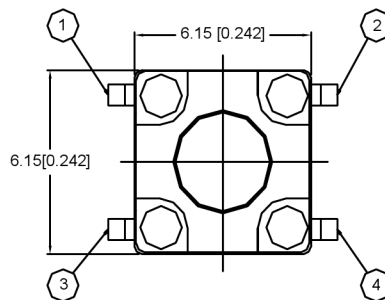


CIRCUIT DIAGRAM



PCB.WELDING DRAWING

Code-X	H
A	4.3
B	4.5
C	5.0
D	5.5
E	6.0
F	6.5
G	7.0
H	7.5
I	8.0
J	8.5
K	9.0

Code-X	H
L	9.5
M	10.0
N	10.5
O	11.0
P	11.5
Q	12
R	12.5
S	13.0
T	13.5
U	14.0
V	15.0
W	15.5
X	16
Y	16.5
Z	17
18	18
19	19

SPECIFICATION
 Contact Rating: 50mA, 12V DC
 Contact Resistance: 100mΩ max
 Insulation Resistance: 100mΩ min, 500V DC
 Dielectric Strength: 250V AC/1minute
 Travel: 0.30mm
 Operating Temp: -25°C~+80°C
 Storage Temp: -30°C~+80°C

PAPT NO	TC-FS66D-X-X
Operating Force	A:100gf B:160gf C:260gf
Height	Code-X

ITEM	PAPT NAMF	TER.NO	QTY	MATERIAL	FINISHING	REMARK
⑤	Terminal	—	4	Brass (0.30t)	Plating silvering	—
④	Contact	—	1	F.ag/Sus	Natural	—
③	Base	—	1	Ppa	—	—
②	Cover	—	1	Ppa	—	—
①	Keystake	—	1	Ppa	—	—

广东星坤科技股份有限公司

MARK	DESCRIPTION	DATE	REVISED	APPROVED
Δx				
Δx				
Δx				

文件工程章

REVISIONS	UNSPECIFIED TOLERANCES
ANGULAR ±5°	
L ≤ 4 ±0.2	
4 < L ≤ 16 ±0.3	
16 < L ≤ 63 ±0.4	
L > 63 ±0.5	



DSND		SCALE: N/A
DWN		VIEW:
CHKD		UNIT: mm/in
APPD		SIZE: A4

MODEL TYPE:	TACT SWITCH	
PART NO.:	TC-FS66D-X-X	
DWG NO.:		
WEIGHT	SHEET	REVISI
	1/1	A0

XKB INDUSTRIAL PRECISION CO., LIMITED

www.helloxkb.com www.helloxkb.cn www.xk-dg.cn