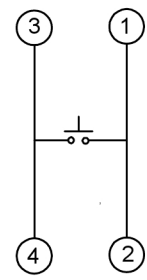
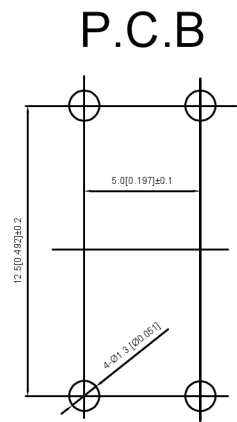
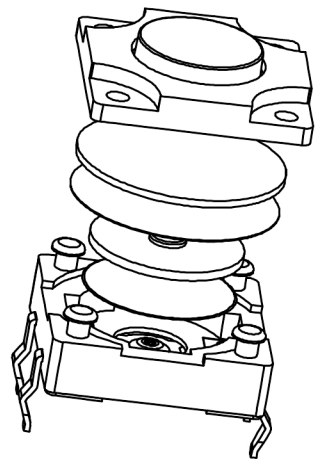
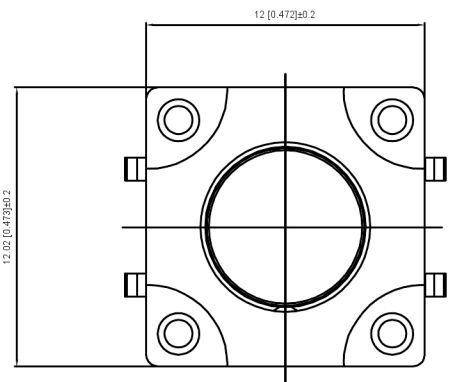


Code-x	H	Code-x	H
E	6.0	Q	12
F	6.5	R	12.5
G	7.0	S	13.0
H	7.5	T	13.5
I	8.0	U	14.0
J	8.5	V	15.0
K	9.0	W	15.5
L	9.5	X	16
M	10.0	Y	16.5
N	10.5	Z	17
O	11.0	18	18
P	11.5	19	19

SPECIFICATION

Contact Rating: 50mA, 12V DC
 Contact Resistance: 100mΩ max
 Insulation Resistance: 100mΩ min, 500V DC
 Dielectric Strength: 250V AC/1minute
 Travel: 0.25mm
 Operating Temp: -25°C~+80°C
 Storage Temp: -30°C~+80°C



PAPT NO	TC-FS1212D-X-X
Operating Force	A:100gf B:160gf C:260gf
Height	Code-x

ITEM	PAPT NAME	TER. NO	QTY	MATERIAL	FINISHING	REMARK
⑤	Terminal	—	4	Brass (0.30t)	Plating silvering	—
④	Contact	—	1	F.ag/Sus	Natural	—
③	Base	—	1	Pa46	—	—
②	Cover	—	1	Pa46	—	—
①	Keystake	—	1	Pa46	—	—

广东星坤科技股份有限公司

MARK	DESCRIPTION	DATE	REVISED	APPROVED
ΔX				
ΔX				
ΔX				

文件工程章

REVISIONS	DATE	REVISED	APPROVED	UNSPECIFIED TOLERANCES
ANGULAR				±5°
L ≤ 4				±0.2
4 < L ≤ 16				±0.3
16 < L ≤ 63				±0.4
L > 63				±0.5



DSND		SCALE: N/A
DWN		VIEW:
CHKD		UNIT: mm/in
APPD		SIZE: A4

MODEL TYPE: TACT SWITCH		
PART NO.: TC-FS1212D-X-X		
DWG NO.:		
WEIGHT	SHEET	REVISI
	1/1	A0

XKB INDUSTRIAL PRECISION CO., LIMITED