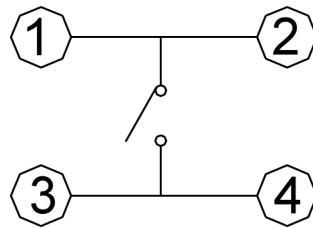
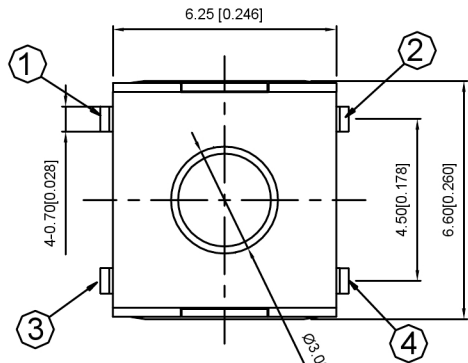


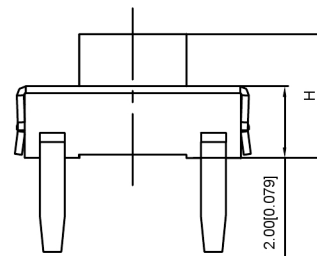
PCB.焊接图
PCB.WELDING DRAWING

Code-X	H
A	2.5
B	3.1
C	3.4
D	3.7
E	4.3
F	5.0

主要技术参数、性能
The Main Thchnology Performance
额定电流、电压: 50mA DC12V
Rate voltage,current: 50mA DC12V
接触电阻: ≤100MΩ
Contact resistance: ≤100MΩ
按力 : 50gf
Operating force: 50gf
行程: 0.25+ 0.10mm
Travel: 0.25+ 0.10mm
绝缘电阻: ≥100MΩ
Insulated resistance: ≥100MΩ
介电强度: ≥250VAC/1min
Dielectric strength: ≥250VAC/1min



电路图
CIRCUIT DIAGRAM



PAPT NO	TC-1157-X-X
Operating Force	A:100gf B:160gf C:260gf
Height	Code-X

ITEM	PAPT NAMF	TER.NO	QTY	MATERIAL	FINISHING	REMARK
⑤	Terminal	—	4	Brass (0.30t)	Plating silvering	—
④	Contact	—	1	F.ag/Sus	Natural	—
③	Base	—	1	PPA	—	—
②	Cover	—	1	Spcc	Plating Nickel	—
①	Keystake	—	1	PPA	—	—

广东星坤科技股份有限公司
日期
文件工程章

REVISIONS	DATE	REVISED	APPROVED



DSND	SCALE: N/A	MODEL TYPE:
DWN	VIEW:	TACT SWITCH
CHKD	UNIT: mm/in	PART NO.:
APPD	SIZE: A4	TC-1157-X-X
XKB INDUSTRIAL PRECISION CO., LIMITED		DWG NO.:
WEIGHT	SHEET	REVISIC
	1/1	A0