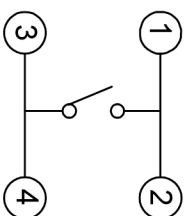
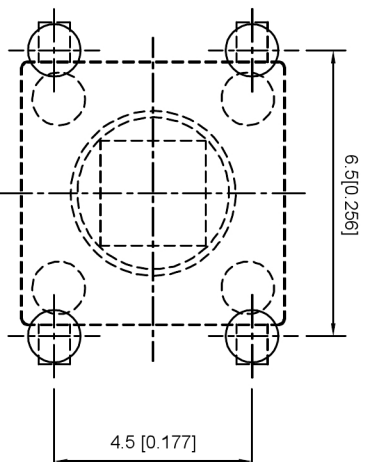
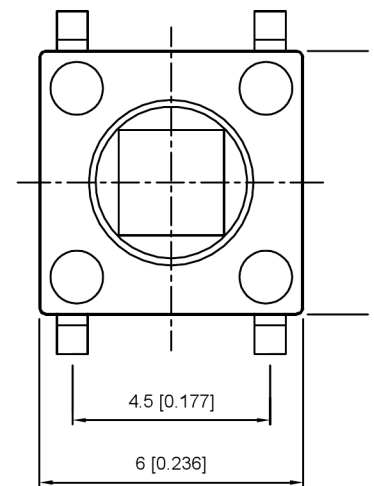


CIRCUIT DIAGRAM



P.C.B MOUNTING PATTERN DIMENSION  
The following slidding patterns are recommended for reflow soldering



**SPECIFICATION**  
 Contact Rating: 50mA, 12V DC  
 Contact Resistance: 100mΩ max  
 Insulation Resistance: 100mΩ min, 500V DC  
 Dielectric Strength: 250V AC/1minute  
 Travel: 0.25mm  
 Operating Temp: -30°C~+85°C  
 Storage Temp: -30°C~+80°C

PAPT NO	TC-1102T-X
Operating force	A: 100gf B: 160gf C: 260gf
Height	H: 7.3

ITEM	PAPT NAME	TERNO	QTY	MATERIAL	FINISHING	REMARK
⑤	Terminal	—	4	Brass (0.30t)	Plating silvering	
④	Contact	—	1	F ag/Sus	Natural	
③	Base	—	1	Pa46		
②	Cover	—	1	Spoc	Plating Nickel	
①	Keystake	—	1	Pa46		

MARK	DESCRIPTION	REVISIONS	DATE	REVISED	APPROVED	UNSPECIFIED TOLERANCES
ΔX		ANGULAR				±0.2
ΔX		L ≤ 4				±0.3
ΔX		4 < L ≤ 16				±0.4
ΔX		16 < L ≤ 63				±0.4
ΔX		L > 63				±0.5

**XKB**

XKB INDUSTRIAL PRECISION CO., LIMITED

DSND	SCALE: N/A	MODEL TYPE: TACT SWITCH
DWN	VIEW:	PART NO.: TC-1102T-X
CHKD	UNIT: mm/in	DWG NO.:
APPD	SIZE: A4	WEIGHT
		SHEET 1/1
		REVISIO

日期

文件工程章