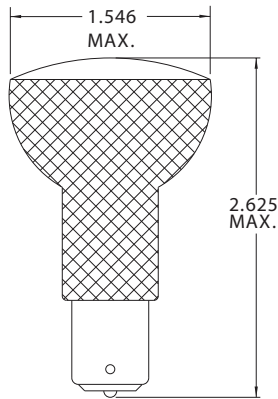
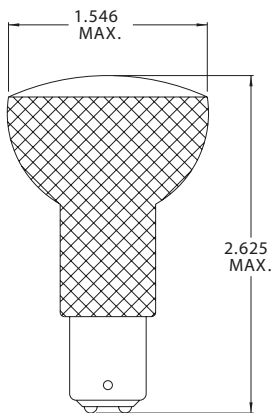


R-12 Single Contact Bayonet Base



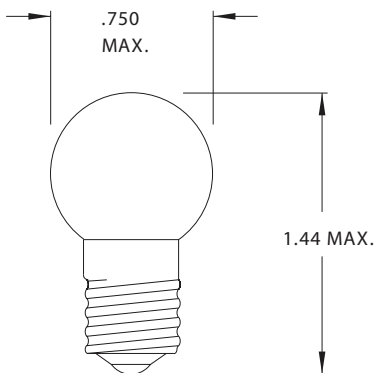
| Part Number | Design Voltage | Amps | MSCP | Life Hours | Filament Type |
|-------------|----------------|------|------|------------|---------------|
| CM1384 | 6.0 | 3.30 | - | 300 | C-8 |
| CM1383 | 13.0 | 1.50 | - | 300 | C-8 |
| CM1385 | 28.0 | .72 | - | 300 | CC-8 |
| CM1387 | 28.0 | .72 | - | 300 | CC-8 |

R-12 Double Contact Bayonet Base



| Part Number | Design Voltage | Amps | MSCP | Life Hours | Filament Type |
|-------------|----------------|------|------|------------|---------------|
| CM1388 | 24.0 | .83 | - | 500 | CC-8 |
| CM1380 | 28.0 | 1.35 | - | 100 | CC-2V |
| | 28.0 | 1.35 | - | 100 | CC-2V |

G-6 Candelabra Screw Base



| Part Number | Design Voltage | Amps | MSCP | Life Hours | Filament Type |
|-------------|----------------|------|------|------------|---------------|
| CM81K | 6.5 | 1.02 | 6.0 | 500 | C-2R |
| CM63K | 7.0 | .63 | 3.0 | 1,000 | C-2R |
| CM1471 | 12.0 | .26 | 2.3 | 250 | C-2V |
| CM89K | 13.0 | .58 | 6.0 | 750 | C-2R |
| CM67K | 13.5 | .59 | 4.0 | 5,000 | C-2R |
| CM529 | 14.0 | .26 | 2.9 | 250 | C-2V |
| CM2621 | 14.0 | .27 | 1.6 | 500 | C-2R |
| CM71K | 22.0 | .18 | 3.0 | 200 | C-2V |
| CM509K | 24.0 | .18 | 2.8 | 1,000 | C-2F |
| CM1224K | 32.0 | .16 | 3.8 | 200 | C-2F |