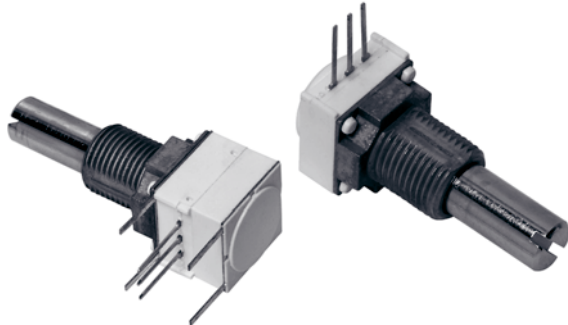


1/2" (12.7 mm) Conductive Plastic and Cermet Potentiometers



148 FEATURES

- Conductive plastic element
- High rotational life (50 000 cycles)
- Quiet electrical output
- Robust construction

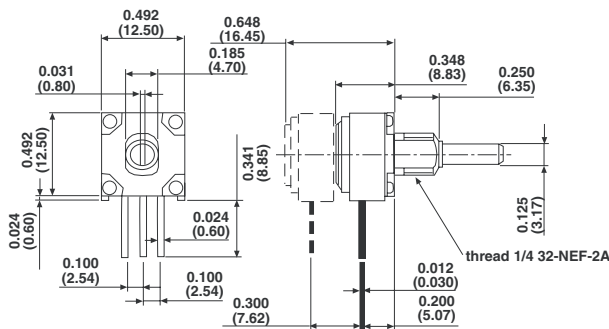


149 FEATURES

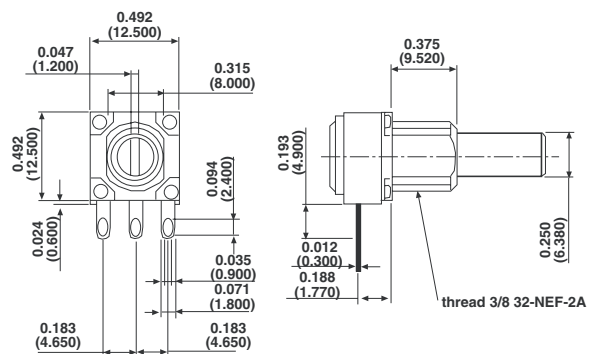
- Cermet element
- Low temperature coefficient (± 150 ppm/ $^{\circ}$ C)
- Robust construction

DIMENSIONS in inches (millimeters)

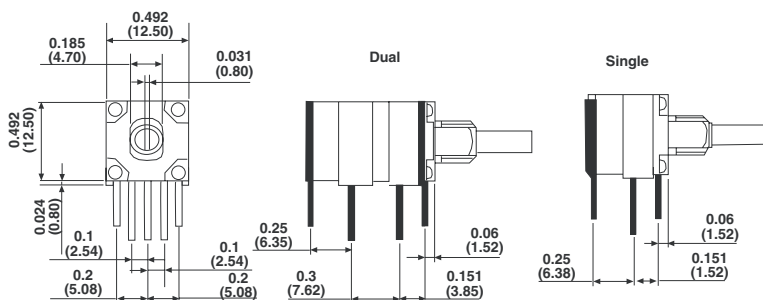
SINGLE, DUAL OR TRIPLE



SOLDER LUG TERMINALS



FRONT AND REAR SUPPORT PLATES
E = Flush with board surface



Tolerances unless otherwise specified ± 0.5

MOUNTING ACCESSORIES: PRODUCT IS SUPPLIED WITH A NUT & WASHER

OPTIONAL FEATURES

Up to three sections PC support plates
Rotary switches, detents, Solder lugs terminals

CONSTRUCTION MATERIALS

Housing - Molded thermoplastic white
Shaft - Brass, nickel plated



ELECTRICAL SPECIFICATIONS		
PARAMETER	148	149
Resistance Range	1 k Ω to 1 M Ω linear 500 Ω to 500 k Ω non-linear	100 Ω to 2.0 M Ω linear 250 Ω to 1 M Ω non-linear
Resistance Tolerance Linear Non-Linear	Standard $\pm 10\%$ to 500K, $\pm 20\%$ over 500K Standard $\pm 10\%$ to 100K, $\pm 20\%$ over 100K	
Taper Tolerance	20 % of the Nominal R at 50 % mechanical rotation	
Linearity (Typical)	$\pm 5\%$ Independent	
End Resistance	4 Ω maximum each end	
Power Rating	0.5 watts at 70 $^{\circ}$ C 0 watts at 120 $^{\circ}$ C	1 watt at 70 $^{\circ}$ C 0 watt at 150 $^{\circ}$ C
	Non-Linear or PC mount, derate 50 %	
Effective Rotation	270 $^{\circ}$ \pm 10 $^{\circ}$ without rotary switch 240 $^{\circ}$ \pm 10 $^{\circ}$ with rotary switch	
Contact Resistance Variation	1.5 % of total resistance	3 % of total resistance
Maximum Continuous Working Voltage	350 VAC across end terminals, but within power rating	
Dielectric Withstanding Voltage	Sea Level - 750 VAC 70 000 feet - 350 VAC	
Switch Specifications	Rotary (AL) switch: S.P.S.T and S.P.D.T 125 mA, 28 VDC CCW or CW, rotational life 10 000 cycles (rated load)	

MECHANICAL SPECIFICATIONS	
Mechanical Rotation	300 $^{\circ}$ \pm 5 $^{\circ}$
Torque	
Operating	Single section 0.2 to 3.0 oz - in Dual or triple section 0.3 to 4.5 oz - in
Center Detent	0.6 to 3.0 oz - in
Stop Strength	3 in - lbs min
Weight (approx)	
Single	0.19 oz
Dual	0.27 oz
Triple	0.35 oz

ENVIRONMENTAL SPECIFICATIONS		
	148	149
Operating Temperature	- 40 $^{\circ}$ C to + 120 $^{\circ}$ C	- 40 $^{\circ}$ C to + 150 $^{\circ}$ C
Storage Temperature	- 55 $^{\circ}$ C to + 120 $^{\circ}$ C	- 55 $^{\circ}$ C to + 150 $^{\circ}$ C
Temperature Cycling (5 Cycles)	- 40 $^{\circ}$ C to + 120 $^{\circ}$ C (4 % Δ Rt)	- 40 $^{\circ}$ C to + 150 $^{\circ}$ C (3 % Δ Rt)
Load Life (1000 hrs. Rated Load at 70 $^{\circ}$ C)	10 % Δ Rt	5 % Δ Rt
Rotational Load Life	50 000 cycles	25 000 cycles
TCR	± 1000 ppm/ $^{\circ}$ C	± 150 ppm/ $^{\circ}$ C



MARKING

Unit Identification: Ink stamp on periphery

ORDERING INFORMATION									
148 MODEL	S NUMBER OF SECTIONS	X MECHANICAL CONFIGURATION	G METRIC BUSHING SIZE & SHAFT	56 SHAFT LENGTH	S SHAFT STYLE	103 RESISTANCE CODE Ω	S TAPER	P TERMINAL CONFIGURATION	e3 LEAD FINISH
FROM THE MOUNTING SURFACE									
148 CP 149 Cer	S: Single D: Duals T: Triple	X: None (single shaft D, T sections) S: Single w/rotary switch P: Dual w/rotary switch	N: 1/4 Dia x 1/4 L J: 1/4 Dia x 3/8 L Shaft, 1/8 Dia G: 3/8 Dia x 3/8 L Shaft, 1/4 Dia	Shaft length code 32: 1/2 in 40: 5/8 in 48: 3/4 in 56: 7/8 in 64: 1 in 80: 1 1/4 in	S: Slotted F: Flatted P: Plain slotted in std. on request F and P	EIA code - first 2 significant digits 3rd is number of zeros 100 10K 500K 250 20K 750K 500 25K 1M 750 50K 2M 1K 75K 2.5K 100K 5K 250K	S: Linear ± 10 % Z: CW Log. ± 10 % to 500 kΩ ± 20 % over 500 kΩ R: CCW Log. ± 10 % to 500 kΩ ± 20 % over 500 kΩ	P: PC, 0.250 E: PC terminals with E support plate S: Solder lugs	e3: Pure Sn

SAP PART NUMBERING GUIDELINES																		
1	4	8	1	0	F	0	G	J	S	X	1	0	1	0	3	K	A	
MODEL			NB OF MOD.		SWITCH	BUSHING	LOCATING PEG		SHAFT		LEADS			OHMIC VALUE/TOL/LAW OR SPECIAL				
See the end of this data book for conversion tables																		



Disclaimer

All product specifications and data are subject to change without notice.

Vishay Intertechnology, Inc., its affiliates, agents, and employees, and all persons acting on its or their behalf (collectively, "Vishay"), disclaim any and all liability for any errors, inaccuracies or incompleteness contained herein or in any other disclosure relating to any product.

Vishay disclaims any and all liability arising out of the use or application of any product described herein or of any information provided herein to the maximum extent permitted by law. The product specifications do not expand or otherwise modify Vishay's terms and conditions of purchase, including but not limited to the warranty expressed therein, which apply to these products.

No license, express or implied, by estoppel or otherwise, to any intellectual property rights is granted by this document or by any conduct of Vishay.

The products shown herein are not designed for use in medical, life-saving, or life-sustaining applications unless otherwise expressly indicated. Customers using or selling Vishay products not expressly indicated for use in such applications do so entirely at their own risk and agree to fully indemnify Vishay for any damages arising or resulting from such use or sale. Please contact authorized Vishay personnel to obtain written terms and conditions regarding products designed for such applications.

Product names and markings noted herein may be trademarks of their respective owners.