



PCB Accessories

96-Pin DIN Connectors



Connectors

96-Pin DIN Connectors Specifications: Class 2 (DIN 41612)

- Insulating Material:** Glass-Filled Polycarbonate or polyester sulphone
- Contact Material:** Copper Alloy
- Contact Plating:*** .000010" gold over .000050" nickel
- Contact Tail:** Ni/Gold .000010"
- Current Rating:** 2.5A at 20°C;
1A at 70°C
- Operating Voltage:** 300V AC
- Test Voltage:** 1000V AC
- Contact Resistance:** 30 m Ohms max. @ 100mA DC
- Insulator Resistance:** 1000M Ohms min. @ 500 VDC
- Temperature Range:** -55°C to + 125°C
- Insertion Force:** <90 < 20 Lbs.
- Insertion Cycles:** 400

* Other gold plating specs available;
64-pin connectors (A & C rows) available upon request.



79900003
Shroud for press-fit wire wrap connectors

For automatic daisy chaining of VME and VXI backplanes. Eliminates the need for manual jumpering. Pin entry acts like a switch which is activated and closed during insertion. No other moving parts required. Same MTBF as other types. Requires special EPT installation tooling.

Standard VME Bus Signals J1 Switched Pins

IACK IN - IACK OUT	a 21-22
BG 0 IN - BG 0 OUT	b 4-5
BG1 IN - BG 0 OUT	b 6-7
BG 2 IN - BG 2 OUT	b 8-9
BG 3 IN BG 3 OUT	b 10-11

Ordering Information

Part No.	Style #	M/F	Contact Length	Type
RE96FSR	4	F	0.087"	Solder Tail, Right Angle
RE96MSD	5	M	0.157"	Solder Tail
RE96MSR-062	1	M	0.087"	Solder Tail, Right Angle
RE96MSR-125	1	M	0.174"	Solder Tail, Right Angle
RE96FW	2	F	0.54"	Wire-Wrap
RE96FWR	4	F	0.2"	Wire-Wrap, Right Angle
RE96MW	5	M	0.54"	Wire-Wrap
RE96FABG	3	F		Auto Bus Grant
RE96FSD	2	F	0.157"	Solder Tail
RE96FSP	3	F	0.208"	Pressfit Solder Tail
RE96FWP	3	F	0.366"	Pressfit Wire-Wrap
RE96MWR	1	M	0.505"	Wire-Wrap, Right Angle
79900003	N/A	F	N/A	Shroud for press-fit wire wrap connectors

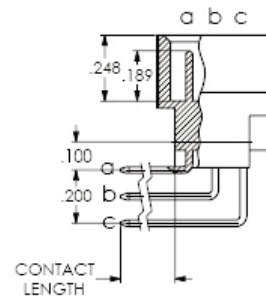
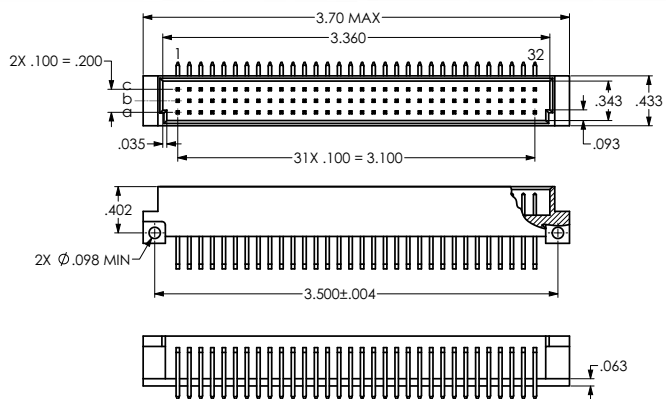




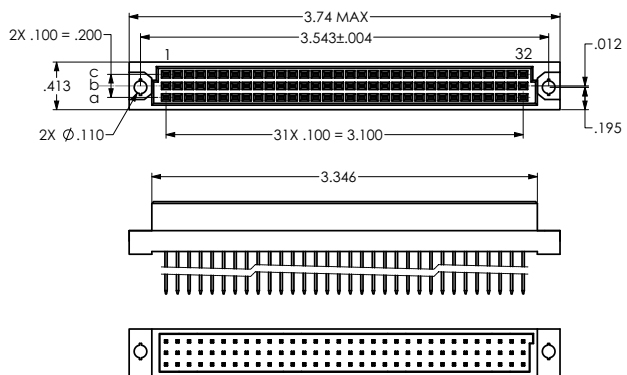
PCB Accessories

96-Pin DIN Connectors

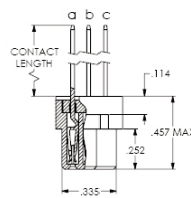
Style 1



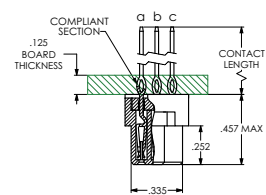
Style 2 & 3



Style 2

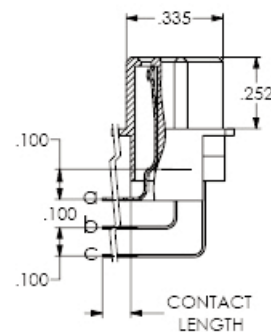
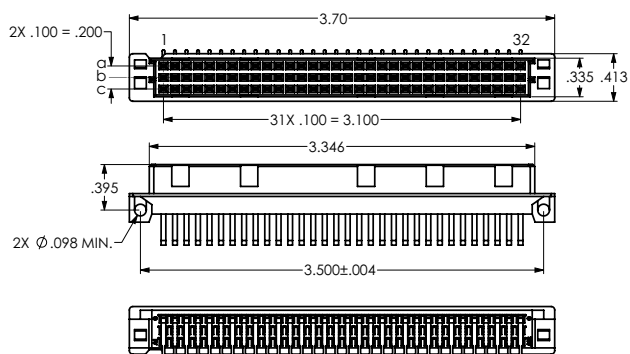


Style 3

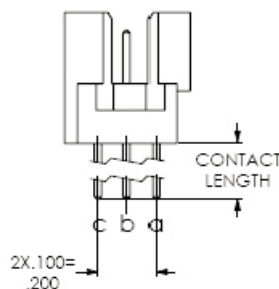
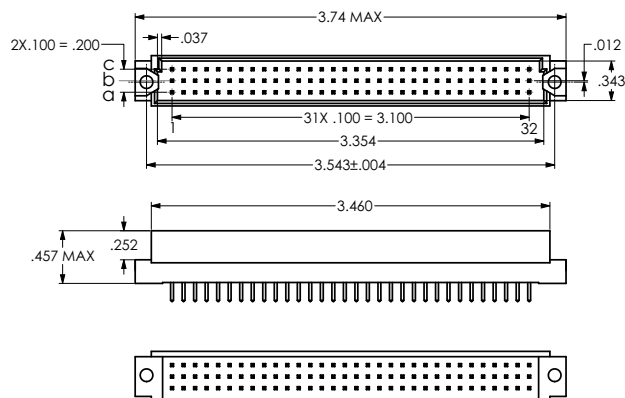


Connectors

Style 4



Style 5



Specification subject to change without notice

www.vectorelect.com

All Dimensions are in

800-423-5659

