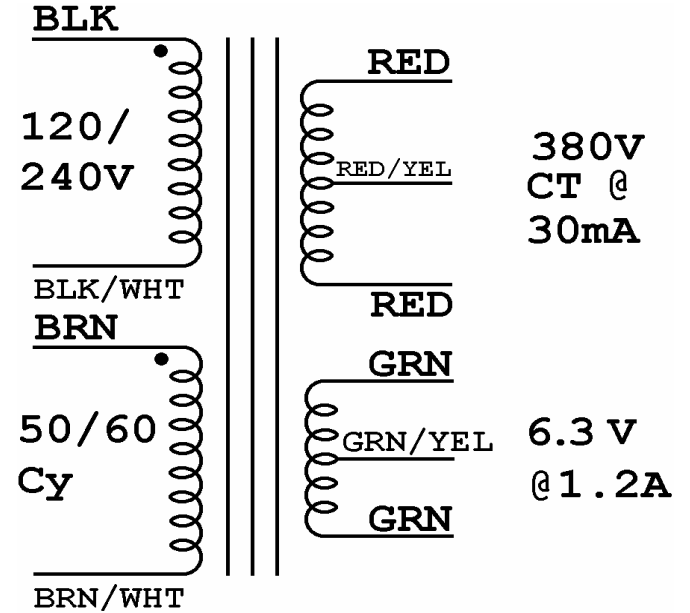
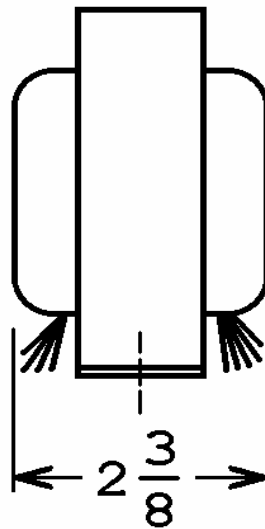
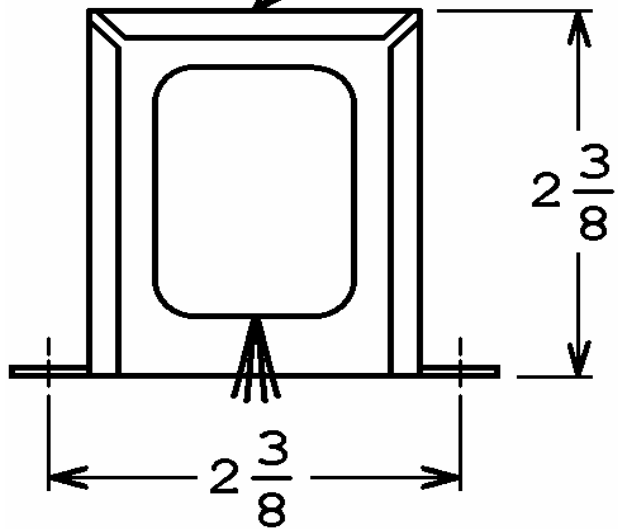


40-18111

This drawing is the property of Magnetic Components, Inc. and shall not be reproduced, in whole or in part, without the written permission of Magnetic Components, Inc.

REVISIONS			
LTR	DESCRIPTION	DATE	APPROVED

ClassicTone™
By Magnetic Components, Inc.
40-18111
166-DATE
MADE IN U.S.A.



120V: INPUT TO BLK AND BLK/WHT (CONNECT BLK TO BRN AND BLK/WHT TO BRN/WHT)
240V: INPUT TO BLK AND BRN/WHT (CONNECT BLK/WHT TO BRN)

UNLESS OTHERWISE SPECIFIED ALL DIMENSIONS IN INCHES DO NOT SCALE DRAWING FRACTIONS +/- .X = +/- .XX = +/- .XXX = +/- ANGLES = +/-	SIGNATURES		DATE	MAGNETIC COMPONENTS, INC.		DIV : LOC : SCHILLER PK	
	DRAWN : <i>[Signature]</i>		10 MAR 2016	TITLE			
	CHECK :			POWER TRANSFORMER			
	APPR : <i>[Signature]</i>		10 MAR 2016	CAGE 50508	SIZE A	PART No. 40-18111	REV -
			SCALE NONE	SHEET :			