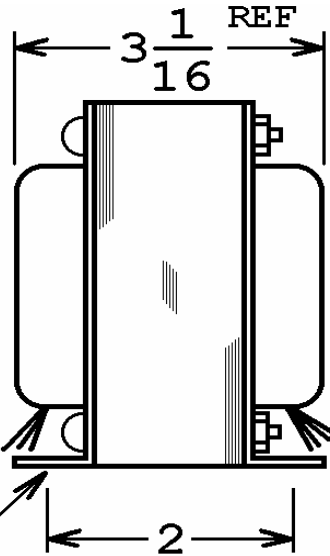
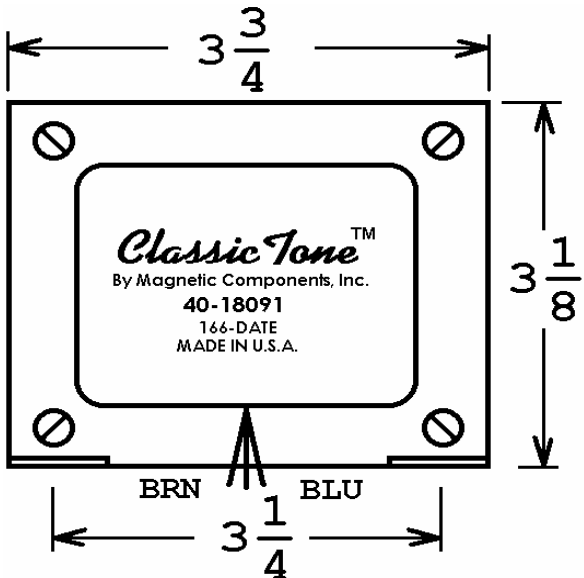
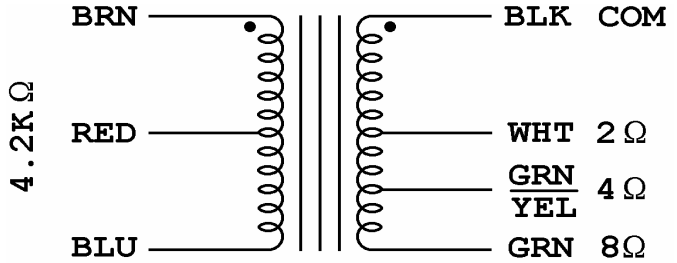


This drawing is the property of Magnetic Components, Inc. and shall not be reproduced, in whole or in part, without the written permission of Magnetic Components, Inc.

REVISIONS			
LTR	DESCRIPTION	DATE	APPROVED



$\frac{7}{32} \times \frac{3}{8}$ SLOT (4PL)



UNLESS OTHERWISE SPECIFIED ALL DIMENSIONS IN INCHES DO NOT SCALE DRAWING FRACTIONS +/- .X = +/- .XX = +/- .XXX = +/- ANGLES = +/-	SIGNATURES		DATE	MAGNETIC COMPONENTS, INC.		DIV : LOC : SCHILLER PK		
	DRAWN : <i>[Signature]</i>		14 MAR 2012	TITLE 50/60W OUTPUT TRANSFORMER				
	CHECK :							
	APPR : <i>[Signature]</i>		14 MAR 2012	CAGE 50508	SIZE A	PART No. 40-18091	REV -	
				SCALE NONE			SHEET :	