

This drawing is the property of Magnetic Components, Inc. and shall not be reproduced, in whole or in part, without the written permission of Magnetic Components, Inc.

REVISIONS			
LTR	DESCRIPTION	DATE	APPROVED

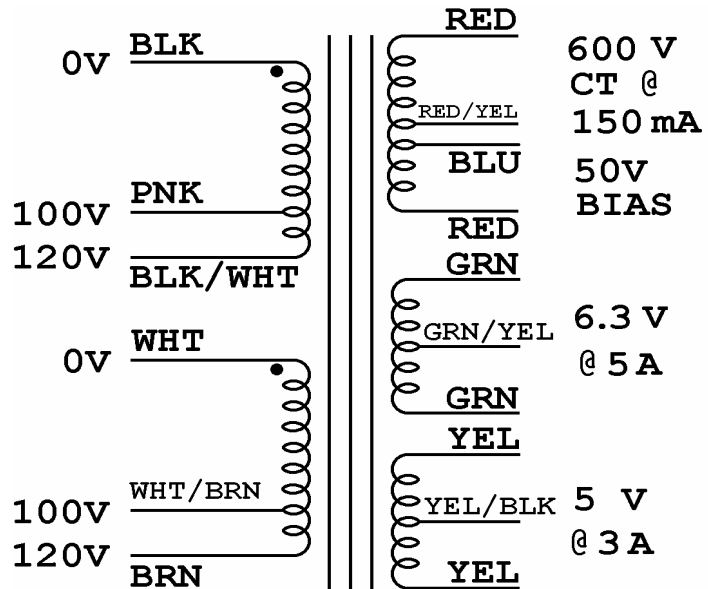
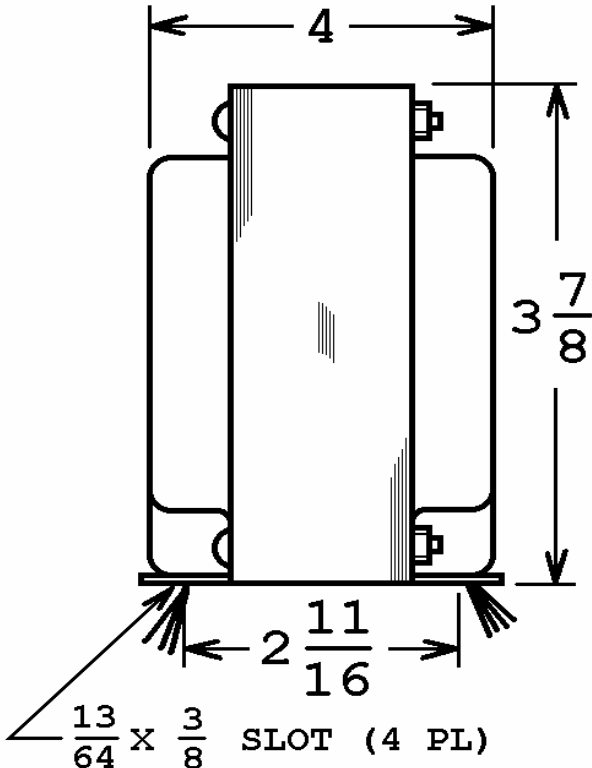
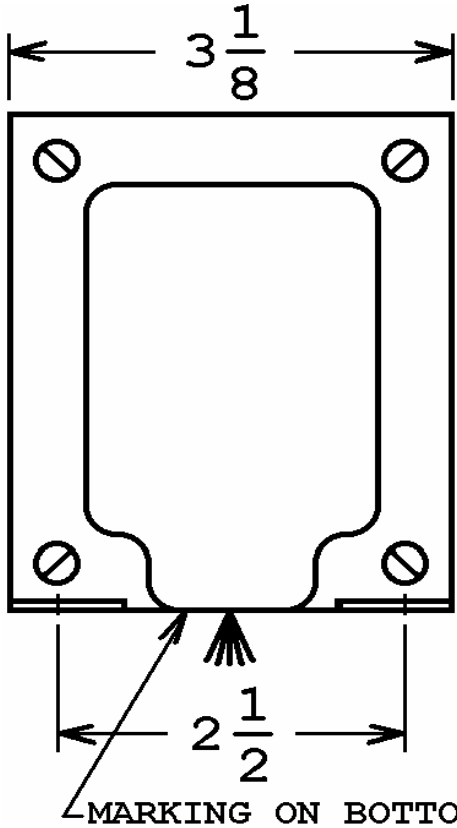


PLATE WINDING 300-0-300V (600V CT) RED-RED/YEL-RED
BIAS TAP 50V RED/YEL TO BLU
SEE TABLE BELOW FOR B+ VOLTAGES

→ SEE SHEET 2 FOR PRIMARY CONNECTIONS ←

VALUES BELOW @ 150mADC LOAD

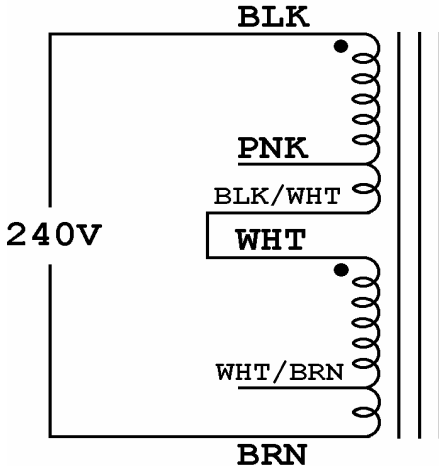
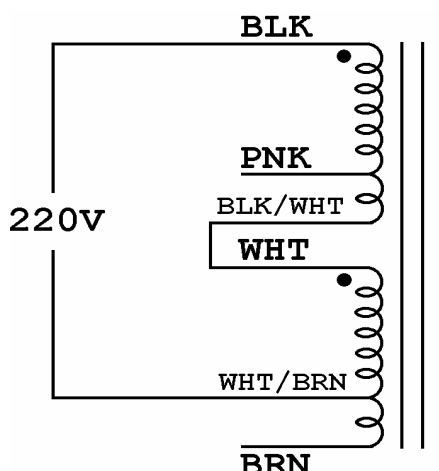
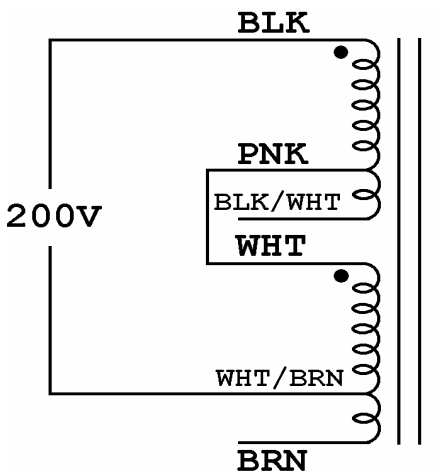
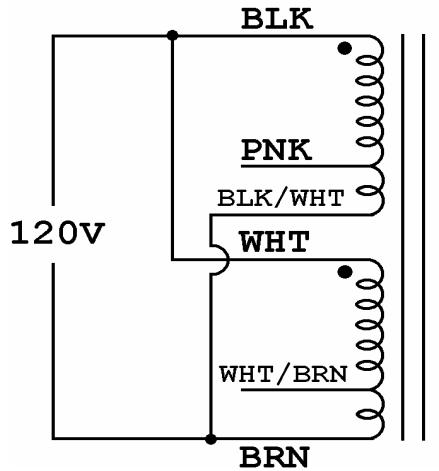
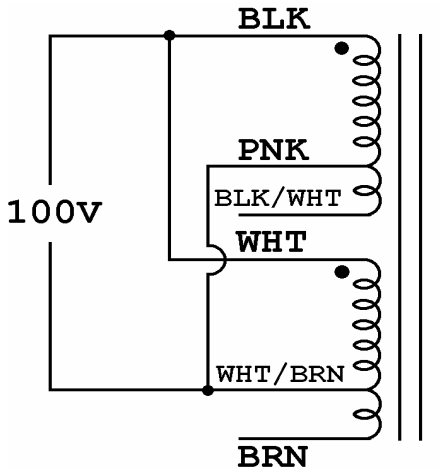
WITH 120V, 60 Cy INPUT

RECT.	B+
5U4GB	317VDC
5Y3GT	342VDC
5AR4	357VDC
1N4007	386VDC

UNLESS OTHERWISE SPECIFIED		SIGNATURES		DATE		MAGNETIC COMPONENTS, INC.		DIV : SCHILLER PK					
ALL DIMENSIONS IN INCHES DO NOT SCALE DRAWING		DRAWN : <i>[Signature]</i>		08 FEB 2012		TITLE : POWER TRANSFORMER							
CHECK :		APPR : <i>[Signature]</i>		08 FEB 2012		CAGE	50508	SIZE	A	PART No.	40-18086	REV	-
FRACTIONS +/-		SCALE		NONE						SHEET :			
.X = +/-													
.XX = +/-													
.XXX = +/-													
ANGLES = +/-													

This drawing is the property of Magnetic Components, Inc. and shall not be reproduced, in whole or in part, without the written permission of Magnetic Components, Inc.

REVISIONS			
LTR	DESCRIPTION	DATE	APPROVED



UNLESS OTHERWISE SPECIFIED ALL DIMENSIONS IN INCHES DO NOT SCALE DRAWING FRACTIONS +/- .X = +/- .XX = +/- .XXX = +/- ANGLES = +/-	SIGNATURES		DATE	MAGNETIC COMPONENTS, INC.		DIV : LOC : SCHILLER PK	
	DRAWN : <i>Mef</i>		08 FEB 2012	TITLE PRIMARY WIRING DIAGRAMS			
	CHECK :						
	APPR : <i>M. Lockert</i>		08 FEB 2012	CAGE 50508	SIZE A	PART No. 40-18086	REV -
			SCALE NONE			SHEET : 2 OF 2	