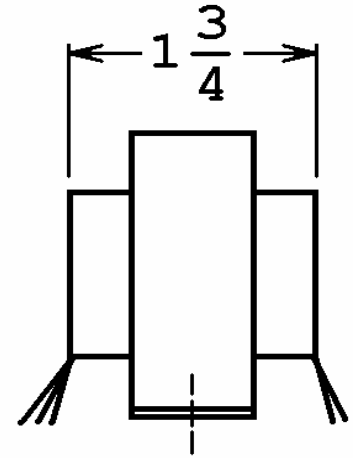
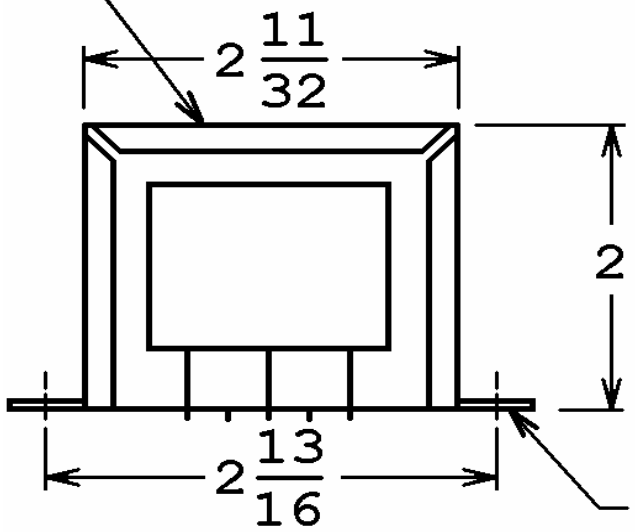


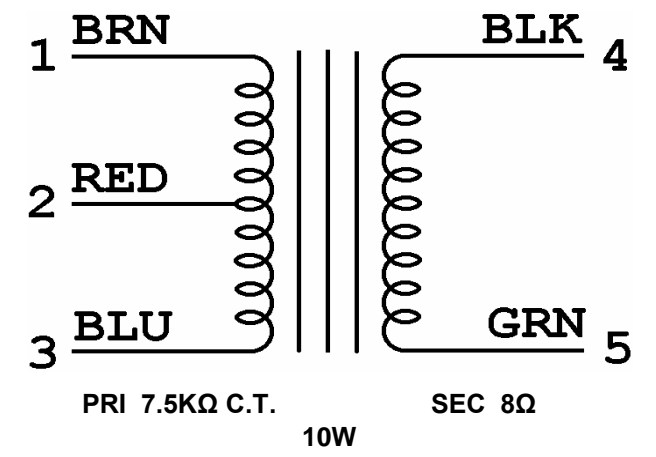
This drawing is the property of Magnetic Components, Inc. and shall not be reproduced, in whole or in part, without the written permission of Magnetic Components, Inc.

REVISIONS			
LTR	DESCRIPTION	DATE	APPROVED

Classic Tone
By Magnetic Components, Inc.
40-18063



$\frac{3}{16}$ DIA (2PL)



DRAWING No. :
OOA-85370
DIV :
LOC : SCHILLER PK

VALCO:
6487
E-6487
340-6487

UNLESS OTHERWISE SPECIFIED	
ALL DIMENSIONS IN INCHES DO NOT SCALE DRAWING	
FRACTIONS +/-	
.X = +/-	
.XX = +/-	
.XXX = +/-	
ANGLES = +/-	

SIGNATURES		DATE
DRAWN :	<i>MJF</i>	08 FEB 11
CHECK :		
APPR :	<i>M. Lakota</i>	08 FEB 11

MAGNETIC COMPONENTS, INC.		TITLE		REV	
		OUTPUT TRANSFORMER			
CAGE	50508	SIZE	PART No.		
SCALE	NONE	A	40-18063		
			SHEET :		