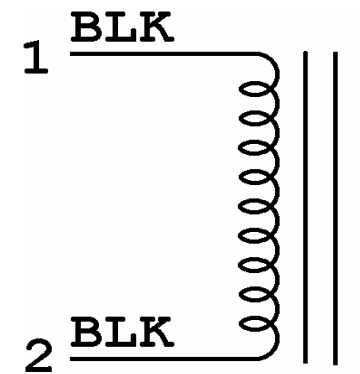
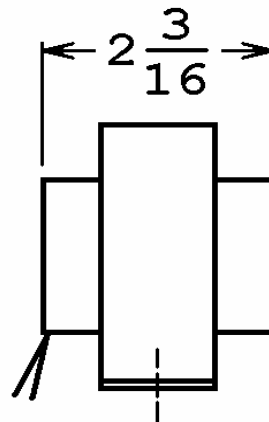
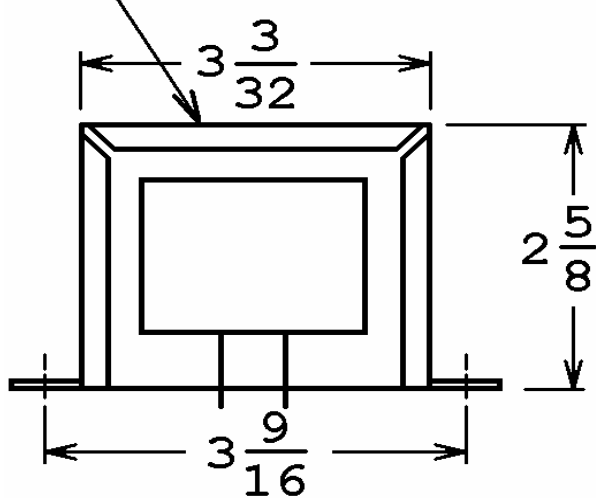


40-18043

This drawing is the property of Magnetic Components, Inc. and shall not be reproduced, in whole or in part, without the written permission of Magnetic Components, Inc.

REVISIONS			
LTR	DESCRIPTION	DATE	APPROVED
A	ADD D.C.R.	04/06/11	M. Sacketti

*Classic Tone*TM
By Magnetic Components, Inc.
40-18043
166-DATE
MADE IN U.S.A.



L = 20 Hy @ 100mA DC
D.C.R. = 419Ω

VOX AC30 CHOKE

UNLESS OTHERWISE SPECIFIED ALL DIMENSIONS IN INCHES DO NOT SCALE DRAWING FRACTIONS +/- .X = +/- .XX = +/- .XXX = +/- ANGLES = +/-	SIGNATURES		DATE		MAGNETIC COMPONENTS, INC.		DIV : LOC : SCHILLER PK	
	DRAWN : <i>M. Sacketti</i>		04 FEB 10		TITLE AC30 CHOKE			
	CHECK :				CAGE 50508		SIZE PART No.	
	APPR : <i>M. Sacketti</i>		04 FEB 10		SCALE NONE		REV A	
					PART No. 40-18043		SHEET :	