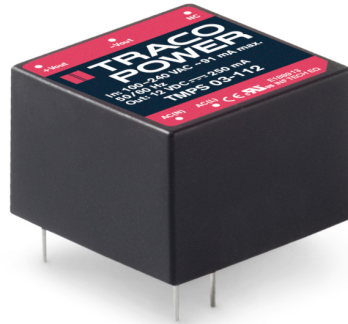


- PCB Power module in 1" x 1" package
- No load input power <150 mW, to comply with ErP directive
- Operating temperature range -25°C to +70°C
- Certified to IEC/EN 60335-1 for household appliance
- EMI meets EN 55022, class B
- Protection class II prepared
- 3-year product warranty



The TMPS-03 series are ultra compact AC/DC power supplies in a fully encapsulated plastic casing for PCB mount. Their safety approvals and extended operating temp. range from -25°C to +70°C qualify them for worldwide markets. They are certified to IEC/EN 60335-1 for household appliance and offer an interesting solution for space critical applications in commercial, and industrial electronic equipment and if compliance to ErP directive is required.

Models					
Order Code	Output Power max.	Output Voltage nom.	Output Current max.	Output Current peak	Efficiency typ.
TMPS 03-103	3 W	3.3 VDC	900 mA	1'170 mA	70 %
TMPS 03-105		5 VDC	600 mA	780 mA	72 %
TMPS 03-109		9 VDC	333 mA	430 mA	77 %
TMPS 03-112		12 VDC	250 mA	320 mA	78 %
TMPS 03-115		15 VDC	200 mA	260 mA	78 %
TMPS 03-124		24 VDC	125 mA	160 mA	78 %

Input Specifications

Input Voltage	- AC Range	85 - 264 VAC (Full Range)
	- DC Range	120 - 370 VDC (Designed for, no certification)
Input Frequency		47 - 63 Hz
Power Consumption	- At no load	150 mW max. (Ready to meet ErP directive)
Input Inrush Current	- At 230 VAC	25 A max.
	- At 115 VAC	15 A max.
Input Protection		T 1.0 A / 250 V
Recommended Input Fuse		(The need of an external fuse has to be assessed in the final application.)

Output Specifications

Voltage Set Accuracy		±2% max.
Regulation	- Input Variation (Vmin - Vmax)	1% max.
	- Load Variation (0 - 100%)	1% max.
Output Current peak		<30 s with maximum duty cycle of 10%, average output power must not exceed 3 W
Ripple and Noise (20 MHz Bandwidth)		70 mVp-p max.
Capacitive Load	3.3 VDC model:	1'200 µF max.
	5 VDC model:	820 µF max.
	9 VDC model:	470 µF max.
	12 VDC model:	330 µF max.
	15 VDC model:	270 µF max.
	24 VDC model:	180 µF max.
Minimum Load		Not required
Temperature Coefficient		±0.05 %/K max.
Start-up Time	- At 230 VAC	200 ms max.
	- At 115 VAC	200 ms max.
Start-up Overshoot Voltage		5% max.
Short Circuit Protection		Continuous, Automatic recovery
Overload Protection		Foldback Mode
Output Current Limitation		135% min. of Iout max. 150% typ. of Iout max.
Overvoltage Protection		125% typ. of Vout nom. 190% max. of Vout nom. (By Zener diode)

Safety Specifications

Safety Standards	- IT / Multimedia Equipment	CSA-C22.2, No 60950-1 EN 60950-1 IEC 60950-1 UL 60950-1
	- Household	EN 60335-1 IEC 60335-1
	- Certification Documents	www.tracopower.com/overview/tmps03
Protection Class		Class II (Prepared): Reinforced Insulation
Pollution Degree		PD 2
Over Voltage Category		OVC II

All specifications valid at nominal voltage, full load and +25°C after warm-up time unless otherwise stated.

EMC Specifications

EMI Emissions		EN 61204-3 (Low Voltage Power Supplies)
- Conducted Emissions		EN 55014-1 (internal filter)
		EN 55032 class B (internal filter)
		FCC Part 15 class B (internal filter)
- Radiated Emissions		EN 55014-1 (internal filter)
		EN 55032 class B (internal filter)
		FCC Part 15 class B (internal filter)
- Harmonic Current Emissions		EN 61000-3-2
- Voltage Fluctuations & Flicker		EN 61000-3-3
EMS Immunity		EN 55024 (IT Equipment)
		EN 55014-2 (Household Appliances Tools)
		EN 61204-3 (Low Voltage Power Supplies)
- Electrostatic Discharge	Air:	EN 61000-4-2, ± 8 kV, perf. criteria A
	Contact:	EN 61000-4-2, ± 4 kV, perf. criteria A
- RF Electromagnetic Field		EN 61000-4-3, 10 V/m, perf. criteria A
- EFT (Burst) / Surge		EN 61000-4-4, ± 2 kV, perf. criteria A
	L to L:	EN 61000-4-5, ± 1 kV, perf. criteria A
- Conducted RF Disturbances		EN 61000-4-6, 10 Vrms, perf. criteria A
- PF Magnetic Field	Continuous:	EN 61000-4-8, 30 A/m, perf. criteria A
- Voltage Dips & Interruptions	230 VAC / 50 Hz:	EN 61000-4-11
		30%, 25 periods, perf. criteria A
		>95%, 0.5 periods, perf. criteria A
		>95%, 250 periods, perf. criteria B

General Specifications

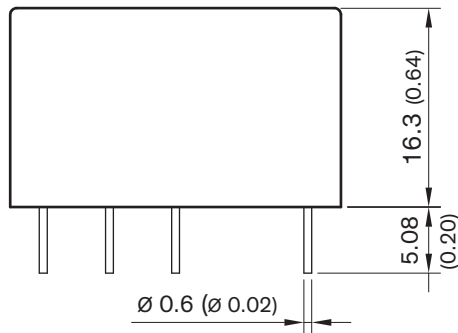
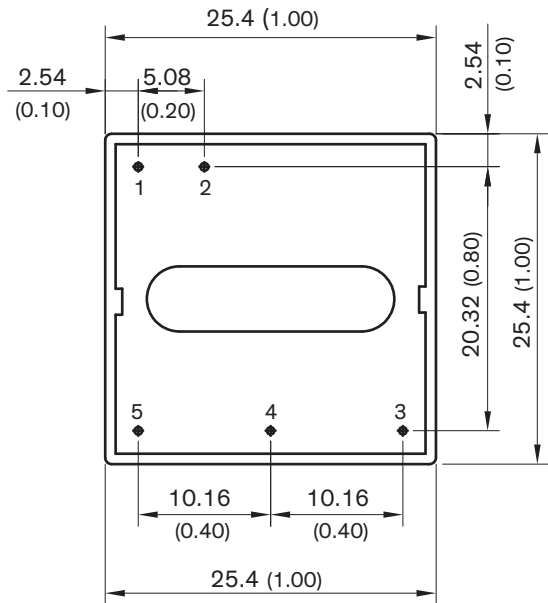
Relative Humidity		95% max. (non condensing)
Temperature Ranges	- Operating Temperature	-25°C to +70°C
	- Approved Ambient Temp.	+60°C max.
	- Storage Temperature	-40°C to +85°C
Power Derating	- High Temperature	5 %/K above 60°C
Cooling System		Natural convection (20 LFM)
Altitude During Operation		2'000 m max.
Switching Frequency		49 - 81 kHz (PWM)
		65 kHz typ. (PWM)
Insulation System		Reinforced Insulation
Working Voltage (rated)		245 VAC
Isolation Test Voltage	- Input to Output, 60 s	3'000 VAC
Isolation Resistance	- Input to Output, 500 VDC	100 M Ω min.
Reliability	- Calculated MTBF	1'200'000 h (MIL-HDBK-217F, ground benign)
Housing Material		Plastic resin (UL 94 V-0 rated)
Pin Material		Copper (C6804)
Pin Foundation Plating		Nickel (2 - 4 μ m)
Pin Surface Plating		Tin (3 - 5 μ m), matte
Connection Type		THD (Through-Hole Device)
Weight		17.4 g
Environmental Compliance	- Reach	www.tracopower.com/info/reach-declaration.pdf
	- RoHS	www.tracopower.com/info/rohs-declaration.pdf

Supporting Documents

Overview Link (for additional Documents)	www.tracopower.com/overview/tmps03
---	--

All specifications valid at nominal voltage, full load and +25°C after warm-up time unless otherwise stated.

Outline Dimensions



Dimensions in mm (inch)
 Outside dimension tolerance: ± 0.5 (± 0.02)
 Pin pitch tolerance: ± 0.25 (± 0.01)
 Pin diameter: $\text{Ø } 0.6 \pm 0.1$ (± 0.004)

Pin Connections	
Pin	Function
1	AC (N)
2	AC (L)
3	NC
4	-Vout
5	+Vout

NC: Not connected