

TransferJet™-Compliant Wireless Module: TJM35420XLQ



To address the needs of the rapidly growing market for proximity wireless applications, Toshiba has developed an ultra-small TransferJet™ SDIO module. The smallest possible components are required for space-critical mobile devices such as smartphones. The ultra-small TransferJet™ SDIO module, which embodies Toshiba's radio-frequency (RF) design and hybrid integration technologies, helps save board space. The TJM35420XLQ module contains RF components and a crystal oscillator to simplify the design of TransferJet™ applications.

Applications

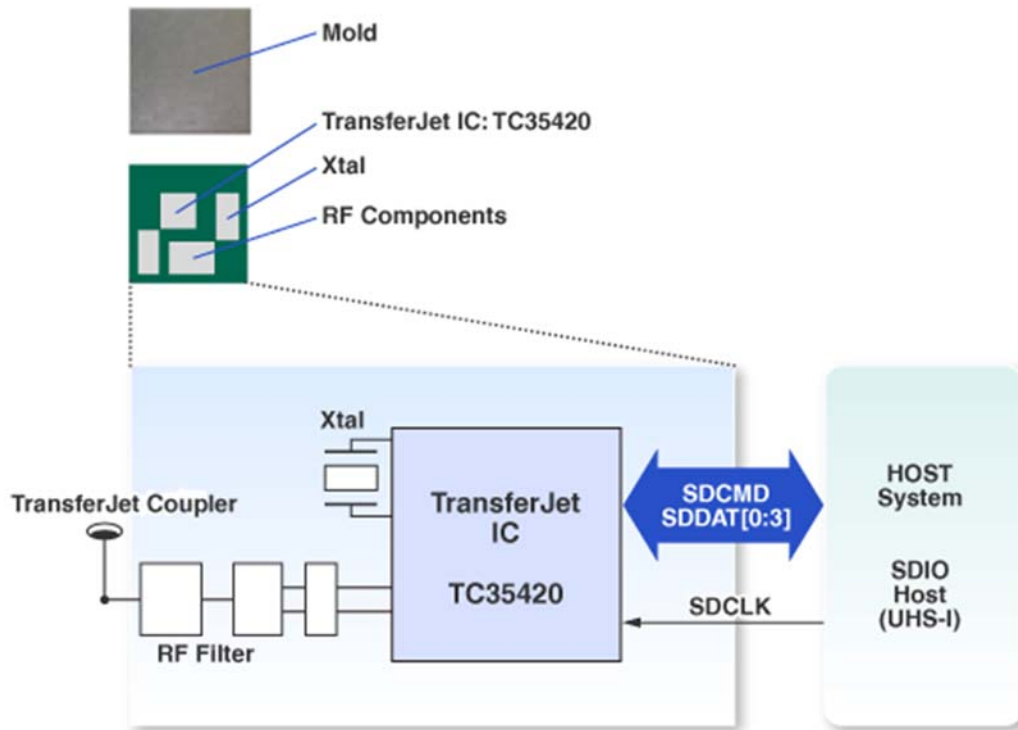


Electronic devices such as smartphones, tablets, digital cameras and notebook PCs

Key Features

- Package: LGA
- Incorporates the TC35420, a TransferJet™-compliant wireless IC
- Built-in RF components
- Built-in X'tal
- Host interface: SDIO UHS-I support
- TransferJet™-compliant
- Outline dimensions: 4.8 (W) × 4.8 (D) × 1.0 (H) (max) (Unit: mm)

SDIO Module Block Diagram



TransferJet™ -compliant IC Lineup

- TransferJet™-Compliant Wireless IC: TC35420AXLG
- TransferJet™-Compliant Wireless Module: TJM35420XLQ
- TransferJet™-Compliant microSDIO Card: TJM35420USQ
- TransferJet™ Adapter