

TOSHIBA CCD LINEAR IMAGE SENSOR CCD(Charge Coupled Device)

TCD1205D

The TCD1205D is a high sensitive and low dark current 2048-elements linear image sensor. The sensor can be used for POS handscanner.

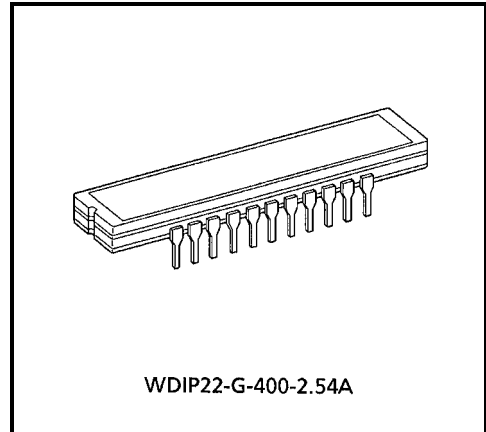
The device is operated by only 5V power supply, and mounted in 22-pin cerdip package with hermetic sealed optical glass window.

The TCD1205D has electronic shutter function (ICG).

Electronic shutter function can keep always output voltage constant that vary with the intensity of lights.

FEATURES

- Number of Image Sensing Elements : 2048
- Image Sensing Element Size : 14μm by 200μm on 14μm centers
- Photo Sensing Region : High sensitive and low dark current pn photodiode
- Clock : 2 phase (5V)
- Internal Circuit : Electronic shutter function (ICG)
- Package : 22 pin cerdip



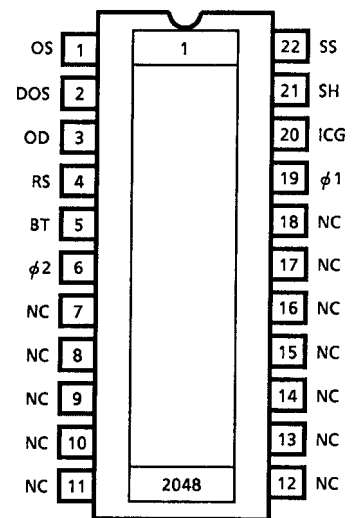
Weight: 4.4g (Typ.)

MAXIMUM RATINGS (Note 1)

CHARACTERISTIC	SYMBOL	RATING	UNIT
Clock Pulse Voltage	V_{ϕ}	-0.3~8	V
Shift Pulse Voltage	V_{SH}		
Reset, Boost Pulse Voltage	V_{RS}, V_{BT}		
Integration Clear Gate Pulse Voltage	V_{ICG}		
Power Supply Voltage	V_{OD}		
Operating Temperature	T_{opr}	-25~60	°C
Storage Temperature	T_{stg}	-40~100	°C

Note 1: All voltage are with respect to SS terminals (Ground).

PIN CONNECTION



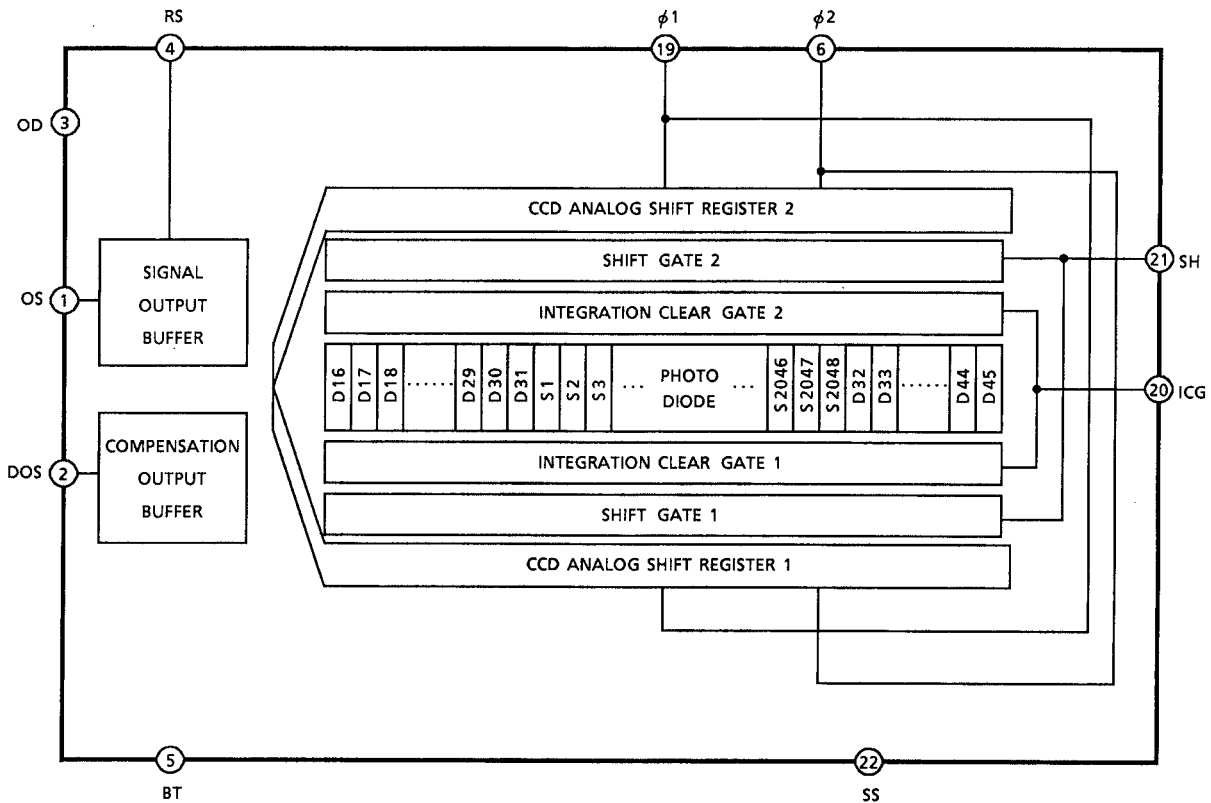
(TOP VIEW)

000707EBA2

• TOSHIBA is continually working to improve the quality and reliability of its products. Nevertheless, semiconductor devices in general can malfunction or fail due to their inherent electrical sensitivity and vulnerability to physical stress. It is the responsibility of the buyer, when utilizing TOSHIBA products, to comply with the standards of safety in making a safe design for the entire system, and to avoid situations in which a malfunction or failure of such TOSHIBA products could cause loss of human life, bodily injury or damage to property.
 In developing your designs, please ensure that TOSHIBA products are used within specified operating ranges as set forth in the most recent TOSHIBA products specifications. Also, please keep in mind the precautions and conditions set forth in the "Handling Guide for Semiconductor Devices," or "TOSHIBA Semiconductor Reliability Handbook" etc..

• The TOSHIBA products listed in this document are intended for usage in general electronics applications (computer, personal equipment, office equipment, measuring equipment, industrial robotics, domestic appliances, etc.). These TOSHIBA products are neither intended nor warranted for usage in equipment that requires extraordinarily high quality and/or reliability or a malfunction or failure of which may cause loss of human life or bodily injury ("Unintended Usage"). Unintended Usage include atomic energy control instruments, airplane or spaceship instruments, transportation instruments, traffic signal instruments, combustion control instruments, medical instruments, all types of safety devices, etc.. Unintended Usage of TOSHIBA products listed in this document shall be made at the customer's own risk.

CIRCUIT DIAGRAM



PIN NAMES

$\phi 1$	Clock (Phase 1)
$\phi 2$	Clock (Phase 2)
RS	Reset Gate
SH	Shift Gate
ICG	Integration Clear Gate
BT	Boost Gate
OS	Signal Output
DOS	Compensation Output
OD	Power
SS	Ground
NC	Non Connection

000707EBA2

- The products described in this document are subject to the foreign exchange and foreign trade laws.
- The information contained herein is presented only as a guide for the applications of our products. No responsibility is assumed by TOSHIBA CORPORATION for any infringements of intellectual property or other rights of the third parties which may result from its use. No license is granted by implication or otherwise under any intellectual property or other rights of TOSHIBA CORPORATION or others.
- The information contained herein is subject to change without notice.

OPTICAL / ELECTRICAL CHARACTERISTICS

(Ta = 25°C, V_{OD} = 5V, V_φ = V_{SH} = V_{RS} = V_{BT} = 5V (Pulse), f_φ = 0.5MHz, f_{RS} = 1MHz, Load Resistance = 100kΩ, t_{INT} (Integration Time) = 10ms, Light Source = Daylight Fluorescent Lamp)

CHARACTERISTIC	SYMBOL	MIN	TYP.	MAX	UNIT	NOTE
Sensitivity	R	64	80	—	V / lx·s	(Note 2)
Photo Response Non Uniformity	PRNU	—	—	10	%	(Note 3)
Saturation Output Voltage	V _{SAT}	0.55	0.8	—	V	(Note 4)
Saturation Exposure	SE	0.006	0.01	—	lx·s	(Note 5)
Dark Signal Voltage	V _{MDK}	—	2	5	mV	(Note 6)
DC Power Dissipation	PD	—	—	25	mW	
Total Transfer Efficiency	TTE	92	95	—	%	
Output Impedance	Z _o	—	0.5	1	kΩ	
Dynamic Range	DR	—	400	—	—	(Note 7)
DC Signal Output Voltage	V _{OS}	1.5	3.0	4.5	V	(Note 8)
DC Compensation Output Voltage	V _{DOS}	1.5	3.0	4.5	V	(Note 8)
DC Mismatch Voltage	V _{OS} -V _{DOS}	—	—	200	mV	(Note 8)

Note 2: Sensitivity for LED (660nm) is 600V / lx·s (Typ.)

Note 3: Measured at 50% of SE (Typ.)

$$\text{Definition of PRNU: } PRNU = \frac{\Delta\bar{\chi}}{\bar{\chi}} \times 100(\%)$$

Where $\bar{\chi}$ is average of total signal outputs and $\Delta\bar{\chi}$ is the maximum deviation from $\bar{\chi}$ under uniform illumination.

Note 4: V_{SAT} is defined as minimum saturation output voltage of all effective pixels.

$$\text{Note 5: Definition of SE : } SE = \frac{V_{SAT}}{R} (\text{lx}\cdot\text{s})$$

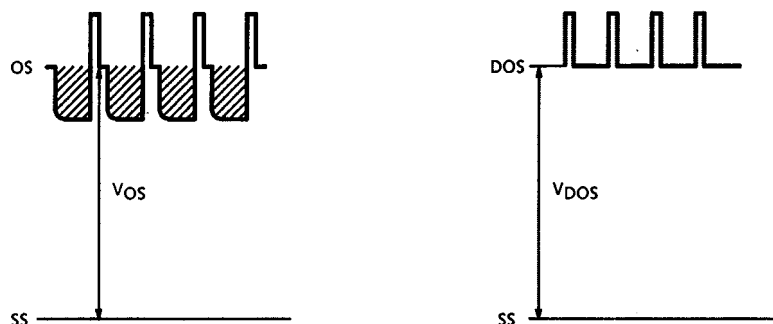
Note 6: V_{MDK} is defined as maximum dark signal voltage of all effective pixels.



$$\text{Note 7: Definition of DR : } DR = \frac{V_{SAT}}{V_{MDK}}$$

V_{MDK} is proportional to t_{INT} (Integration time).
So the shorter t_{INT} condition makes wider DR value.

Note 8: DC signal output voltage and DC compensation output voltage are defined as follows:



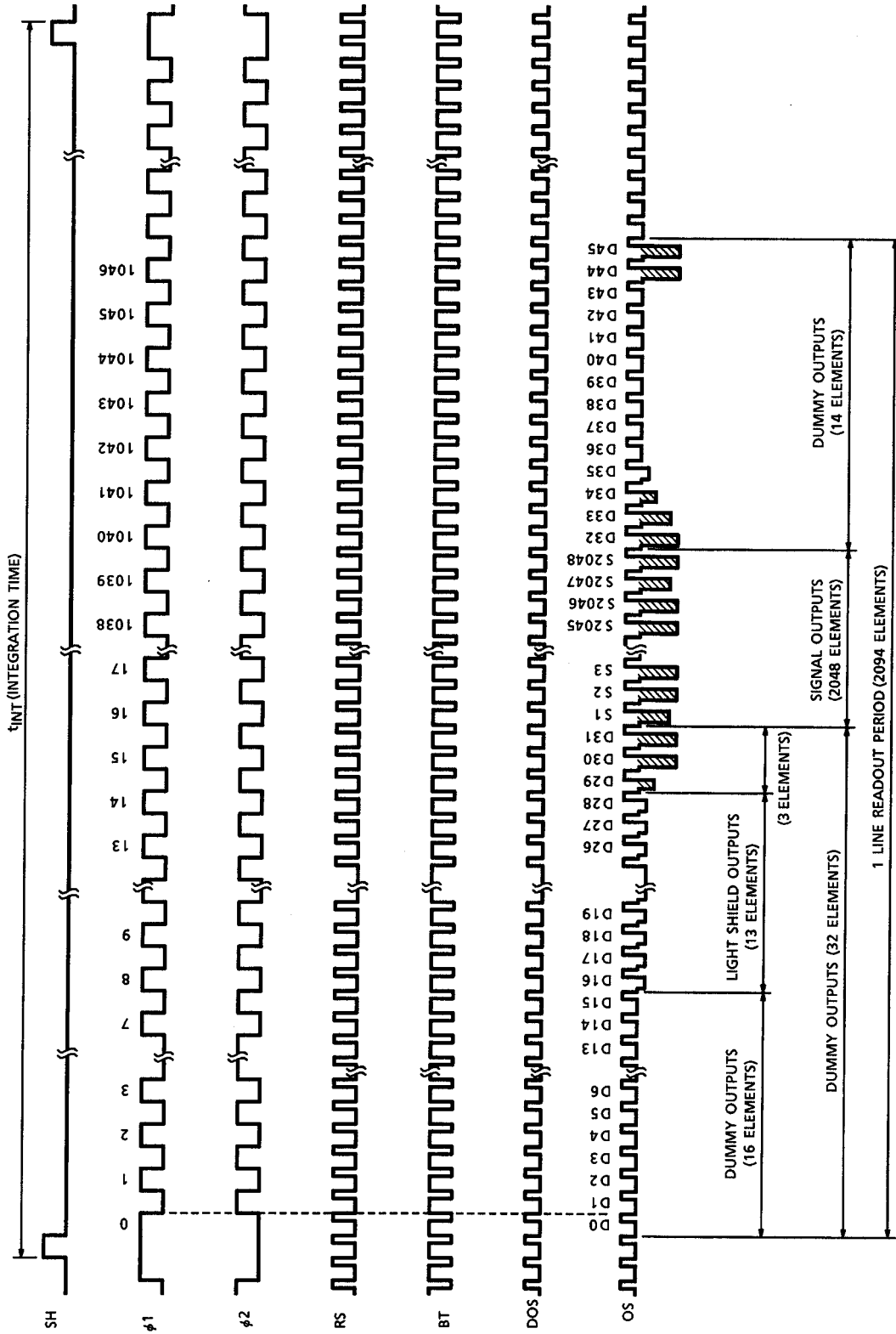
OPERATING CONDITION

CHARACTERISTIC		SYMBOL	MIN	TYP.	MAX	UNIT
Clock Pulse Voltage	"H" Level	V_{ϕ}	4.5	5.0	5.5	V
	"L" Level		0	0.2	0.5	
Shift Pulse Voltage	"H" Level	V_{SH}	4.5	5.0	5.5	V
	"L" Level		0	0.2	0.5	
Reset, Boost Pulse Voltage	"H" Level	V_{RS}, V_{BT}	4.5	5.0	5.5	V
	"L" Level		0	0.2	0.5	
Integration Clear Gate Voltage	"H" Level	V_{ICG}	4.5	5.0	5.5	V
	"L" Level		0	0.2	0.5	
Power Supply Voltage		V_{OD}	4.5	5.0	5.5	V

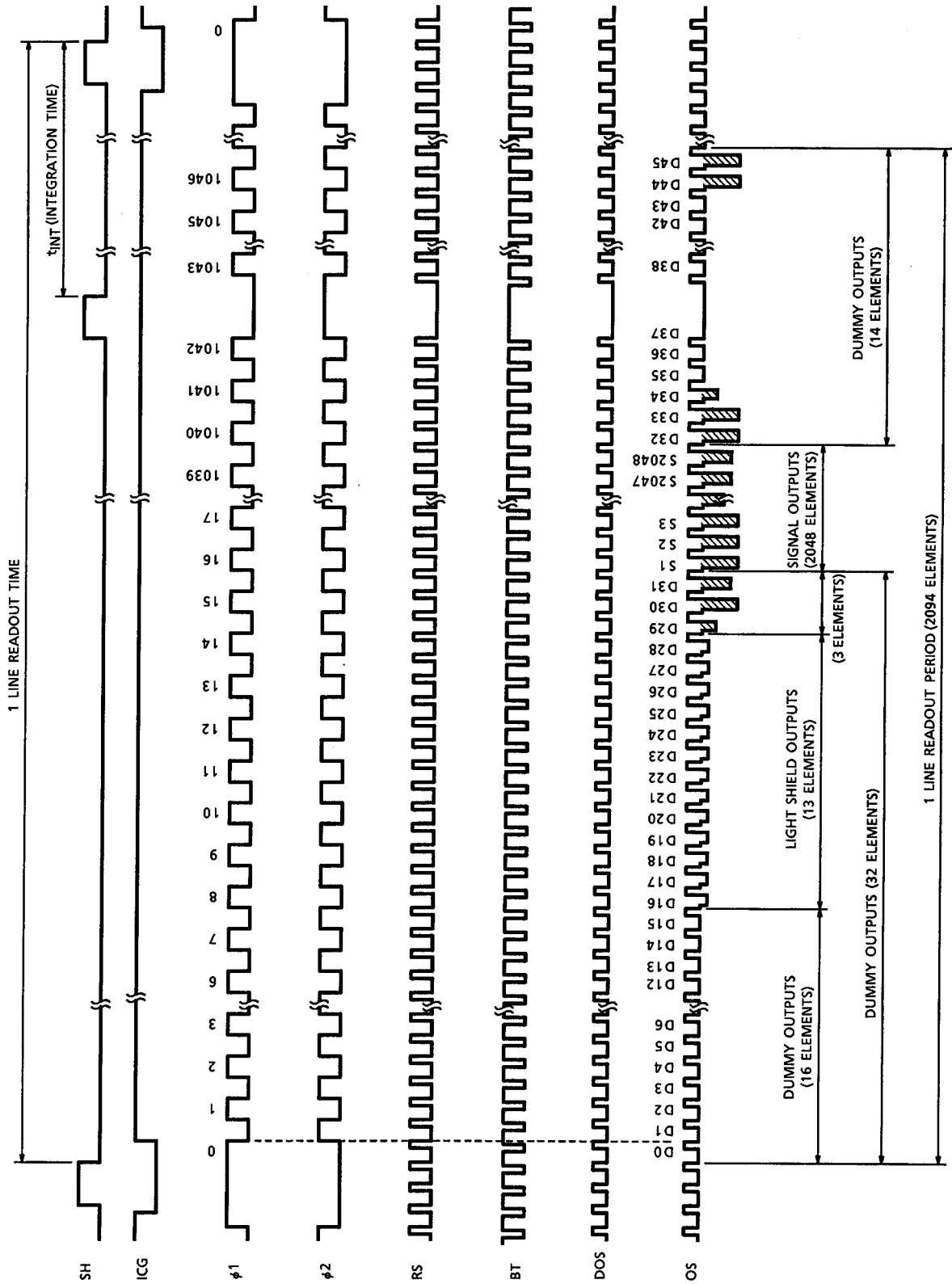
CLOCK CHARACTERISTICS (Ta = 25°C)

CHARACTERISTIC	SYMBOL	MIN	TYP.	MAX	UNIT
Clock Pulse Frequency	f_{ϕ}	0.01	0.5	1.0	MHz
Reset Pulse Frequency	f_{RS}	0.02	1.0	2.0	MHz
Clock Capacitance	$C_{\phi A}$	—	400	500	pF
BT Gate Capacitance	C_{BT}	—	10	25	pF
Shift Gate Capacitance	C_{SH}	—	200	250	pF
Reset Gate Capacitance	C_{RS}	—	10	25	pF
Integration Clear Gate Capacitance	C_{ICG}	—	100	200	pF

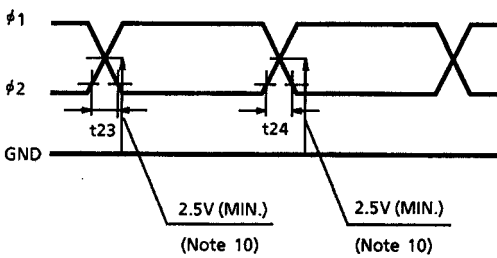
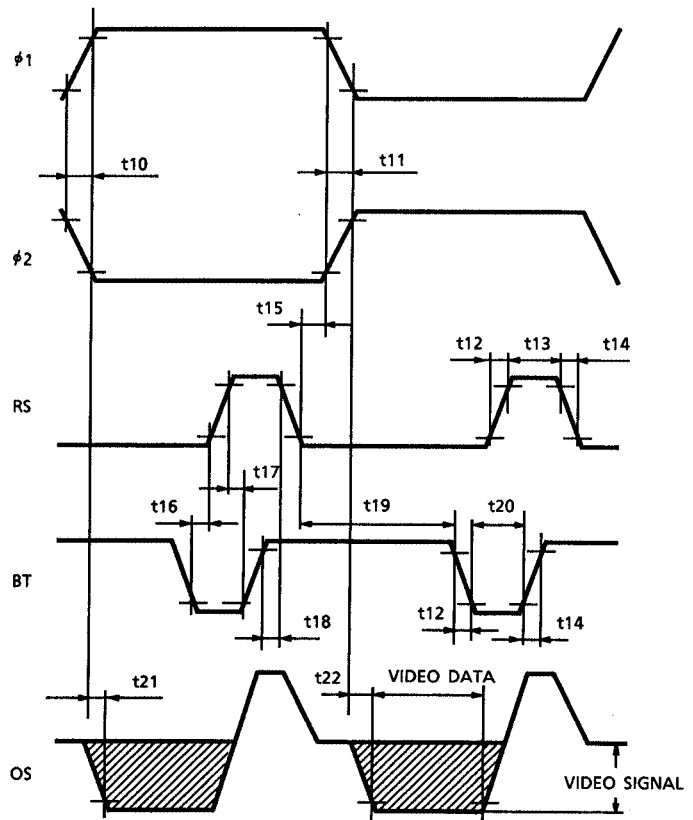
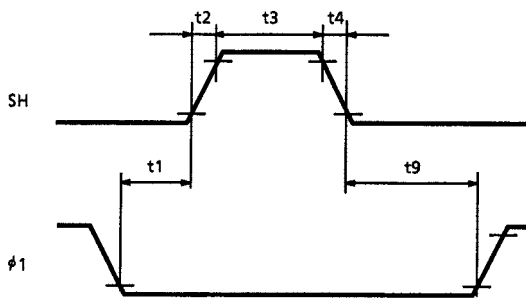
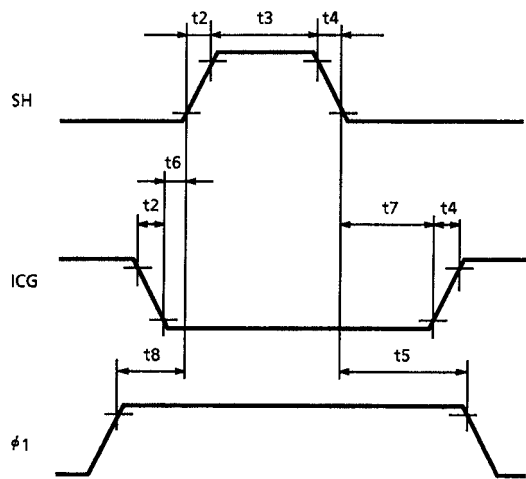
TAIMING CHART



TAIMING CHART (EXAMPLE : USE ELECTRONIC SHUTTER)



TIMING REQUIREMENTS

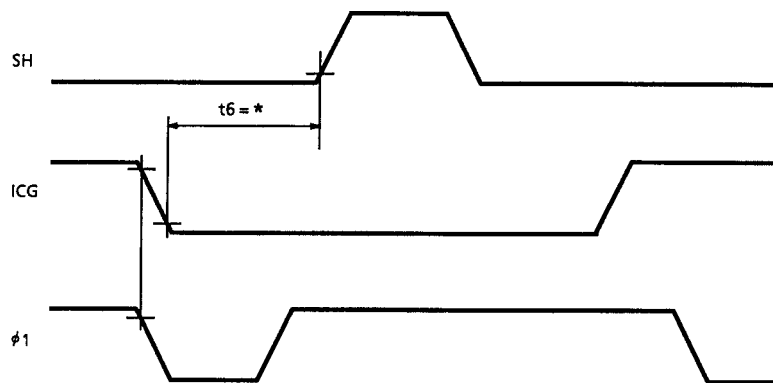


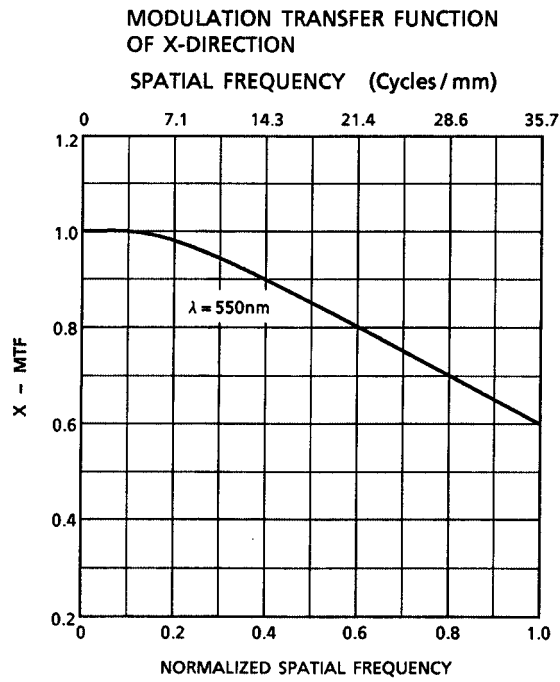
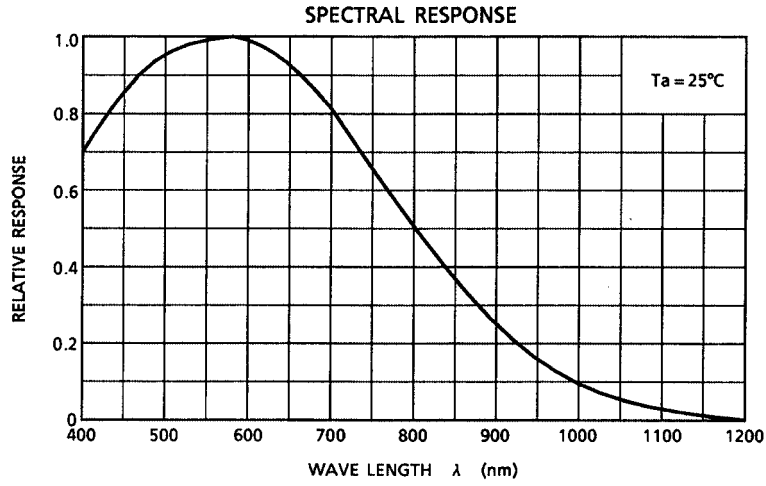
Note 10: If $\phi 1$ & $\phi 2$ pulse cross point couldn't be kept over 2.5V, it should be 1.5V and t_{23} and t_{24} should be 60ns.

CHARACTERISTIC	SYMBOL	MIN	TYP.	MAX	UNIT
Pulse Timing of SH & ϕ 1	t1	0	100	—	ns
Pulse Timing of SH & ϕ 1	t5	2000	3000	—	ns
SH, ICG Pulse Rise & Fall Time	t2, t4	0	50	—	ns
SH Pulse Width (Note 11)	t3, t3'	1000	2000	—	ns
Pulse Timing of SH & ICG	t6	50	100	*	ns
Pulse Timing of SH & ICG	t7	1000	—	t5	ns
Pulse Timing of ICG & ϕ 1	t8	0	100	—	ns
Pulse Timing of ICG & ϕ 1	t9	500	—	—	ns
ϕ 1, ϕ 2 Pulse Rise & Fall Time	t10, t11	0	60	—	ns
RS, BT Pulse Rise & Fall Time	t12, t14	0	60	—	ns
RS Pulse Width	t13	60	260	—	ns
Pulse Timing of ϕ 1, ϕ 2, RS	t15	20	—	—	ns
Pulse Timing of RS & BT	t16	50	100	—	ns
Pulse Timing of RS & BT	t17	20	—	—	ns
Pulse Timing of RS & BT	t18	40	—	—	ns
Pulse Timing of RS & BT	t19	200	—	—	ns
BT Pulse Width	t20	70	250	—	ns
Video Data Delay Time	t21, t22	—	80	—	ns

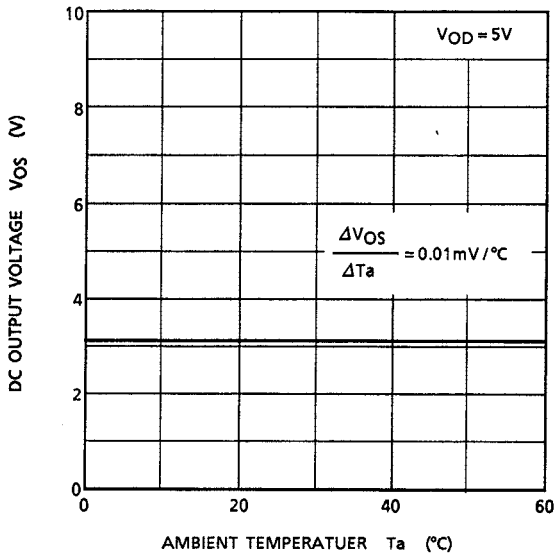
Note 11: Have to use t3 = t3'

* t6 = MAXIMUM TIMING

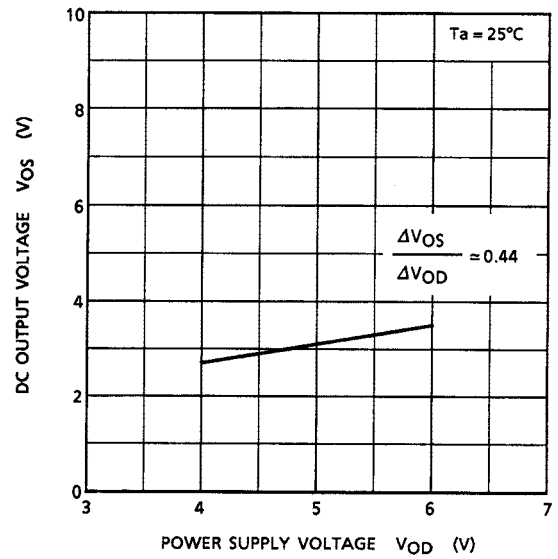




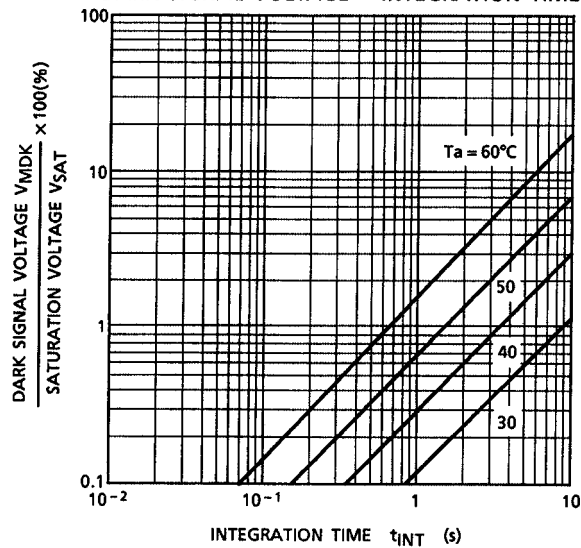
DC OUTPUT VOLTAGE – AMBIENT TEMPERATURE



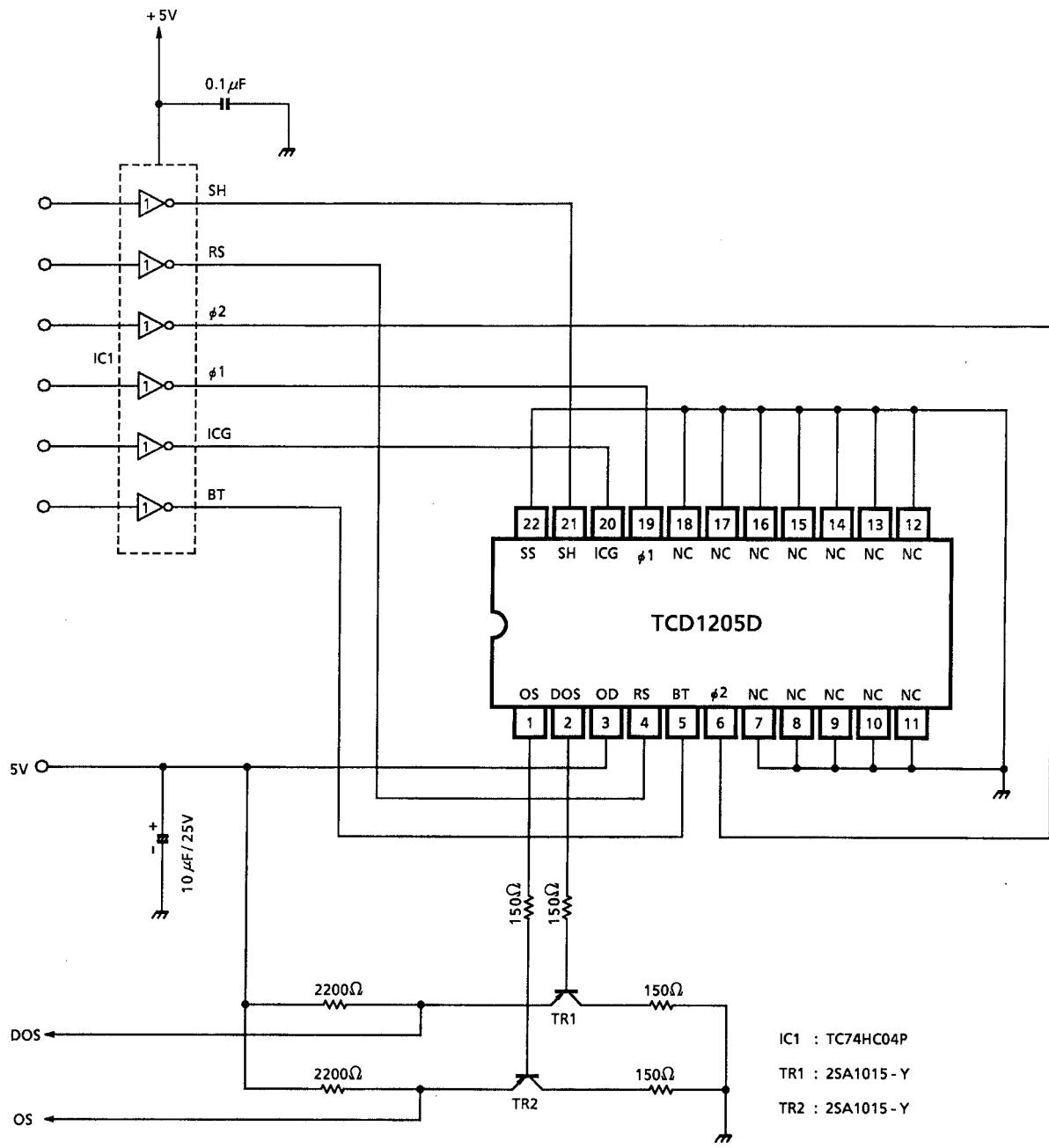
DC OUTPUT VOLTAGE – POWER SUPPLY VOLTAGE



DARK SIGNAL VOLTAGE – INTEGRATION TIME



TYPICAL DRIVE CIRCUIT



CAUTION**1. Window Glass**

The dust and stain on the glass window of the package degrade optical performance of CCD sensor.

Keep the glass window clean by saturating a cotton swab in alcohol and lightly wiping the surface, and allow the glass to dry, by blowing with filtered dry N₂.

Care should be taken to avoid mechanical or thermal shock because the glass window is easily to damage.

2. Electrostatic Breakdown

Store in shorting clip or in conductive foam to avoid electrostatic breakdown.

3. Incident Light

CCD sensor is sensitive to infrared light.

Note that infrared light component degrades resolution and PRNU of CCD sensor.

4. Lead Frame Forming

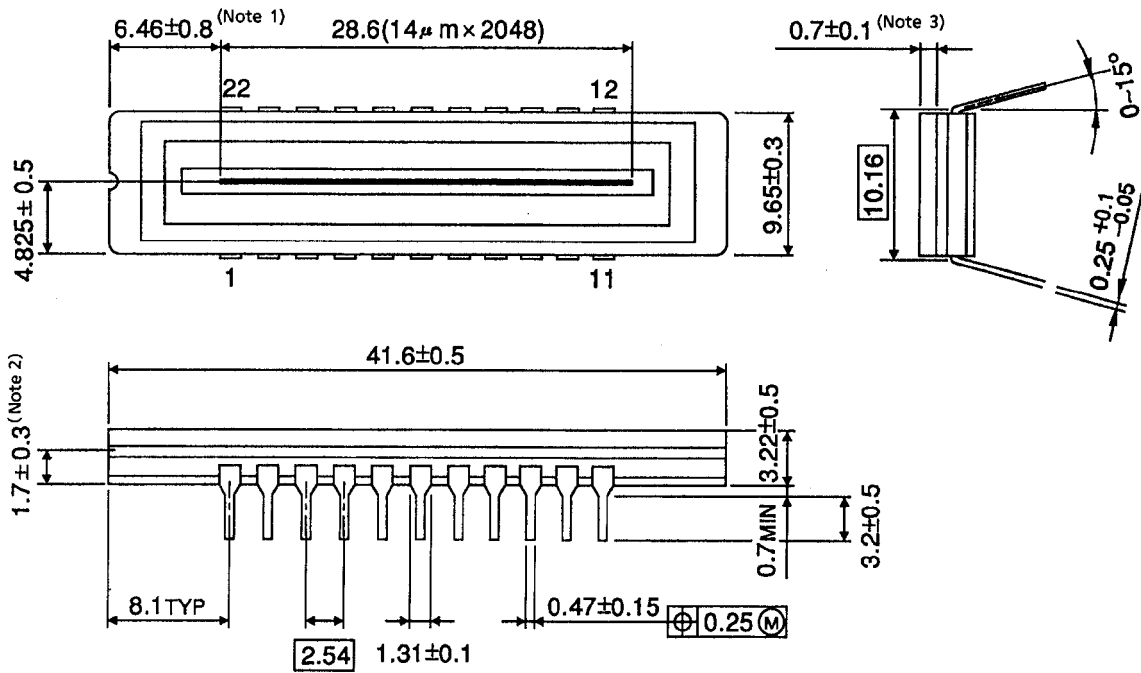
Since this package is not stout against mechanical stress, you should not reform the lead frame.

We recommend to use a IC-inserter when you assemble to PCB.

PACKAGE DIMENSIONS

WDIP22-G-400-2.54A (D)

Unit: mm



Note 1: No. 1 SENSOR ELEMENT (S1) TO EDGE OF PACKAGE.

Note 2: TOP OF CHIP TO BOTTOM OF PACKAGE.

Note 3: GLASS THICKNES (n = 1.5)

Weight: 4.4g (Typ.)