

TOSHIBA Bipolar Linear Integrated Circuit Silicon Monolithic

TA7280P, TA7281P

5.8W Dual Audio Power Amplifier.

22W BTL Audio Power Amplifier.

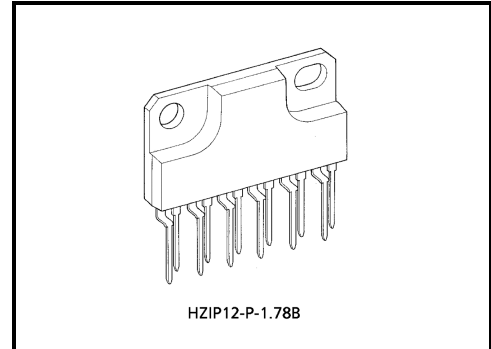
The TA7280P, TA7281P are dual audio power amplifier for consumer applications.

It is designed for high power, low distortion and low noise.

It also contains various kind of protectors.

It is suitable for car-audio power amplifier with high performance.

The kinds of pin configuration are available: Normal (TA7280P) and reverse (TA7281P) for easier layout design of PC-board when used in BTL-stereo application.



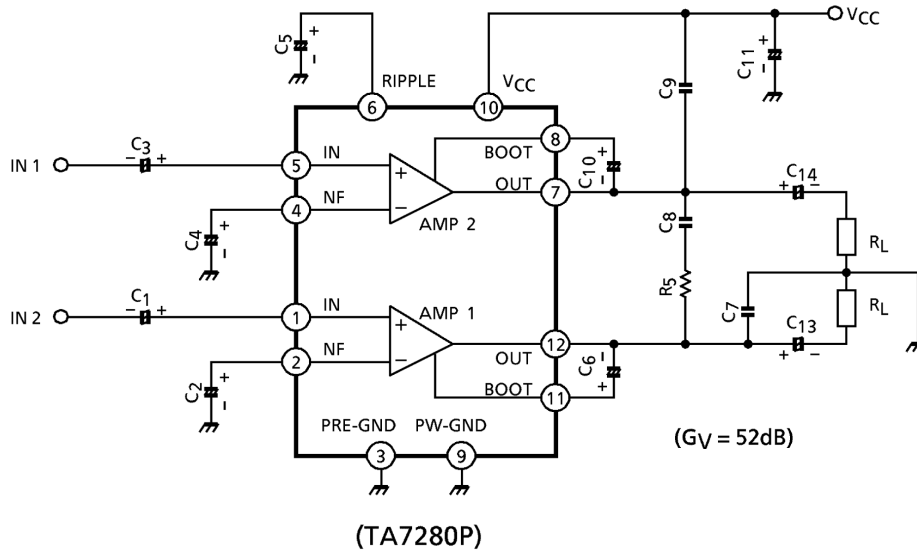
Weight: 4.04g (typ.)

Features

- High power
 - : POUT (1) = 22W (typ.)
(VCC = 14.4V, f = 1kHz, THD = 10%, RL = 4Ω, BTL)
 - POUT (2) = 19W (typ.)
(VCC = 13.2V, f = 1kHz, THD = 10%, RL = 4Ω, BTL)
 - POUT (3) = 15W (typ.)
(VCC = 13.2V, f = 1kHz, THD = 1%, RL = 4Ω, BTL)
 - POUT (4) = 5.8W (typ.) / ch
(VCC = 13.2V, f = 1kHz, THD = 10%, RL = 4Ω, DUAL)
- Low distortion
 - : THD (1) = 0.03% (typ.)
(VCC = 13.2V, f = 1kHz, POUT = 4W, RL = 4Ω, GV = 40dB, BTL)
 - THD (2) = 0.06% (typ.)
(VCC = 13.2V, f = 1kHz, POUT = 1W, RL = 4Ω, GV = 52dB, DUAL)
- Low noise
 - : VNO (1) = 0.14mVrms (typ.)
(VCC = 13.2V, RL = 4Ω, GV = 40dB, Rg = 0, DIN noise: DIN45405, BTL)
 - VNO (2) = 0.7mVrms (typ.)
(VCC = 13.2V, RL = 4Ω, GV = 52dB, Rg = 10kΩ, BW = 20Hz~20kHz, DUAL)
- Protector circuit
 - : Thermal shut down, Over voltage protection, Out-VCC short, Out-GND short and Out-Out short protection.
- Operating supply voltage range
 - : VCC (opr) = 9~18V

Block Diagram

DUAL



Application Information (this explanatory terminal number is for TA7280P)

1. Voltage gain adjustment

(1) Dual amplifier

The voltage gain G_V is determined by R_1 , R_2 and R_f in (Fig. 1).

$$G_V = 20 \log \frac{R_f + R_1 + R_2}{R_f + R_1} \text{ (dB)}$$

In case of $R_f = 0$

The voltage gain is set as follows:

$$G_V = 52 \text{ dB (typ.)}$$

(2) BTL amplifier

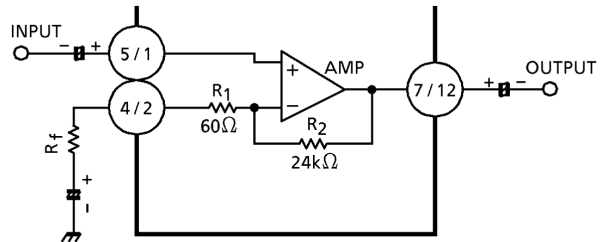
The recommended BTL connection amplifier shown in (Fig. 2).

AMP. 1 is noninverting amplifier and AMP. 2 is invert one.

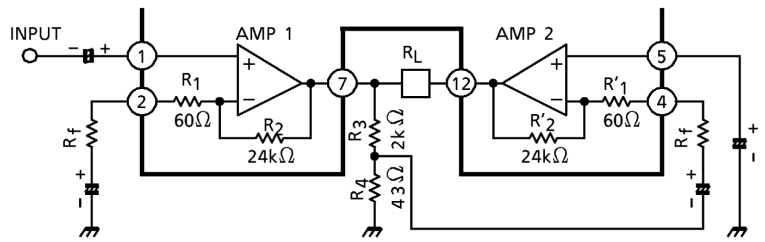
The output voltage is divided by resistors R_3 and R_4 .

The divided voltage is applied to inverting input of amp. 2. R_3 and R_4 are determined in the following equation.

$$\frac{R_3 + R_4}{R_3} = 20 \log \frac{R_f + R_1 + R_2}{R_f + R_1} \text{ (dB)} \quad G_V \text{ in Dual mode}$$



(Fig. 1)



(Fig. 2)

The voltage gain in this circuit is 6dB higher than that in Dual mode.

$$G_V = 20 \log \frac{R_f + R_1 + R_2}{R_f + R_1} \text{ (dB)}$$

In case of $R_f = 0$

$$G_V = 52 + 6 = 58 \text{ (dB)}$$

In case of $R_f = 430\Omega$

$$G_V = 34 + 6 = 40 \text{ (dB)}$$

Each voltage gain can be set as shown above.

2. Muting

Audio muting can be accomplished by connecting pin(6) (ripple filter) to GND as shown in (Fig. 3).

Then, the bias circuits are cut off.

However, caution must be exercised to the following items.

- (1) The recovery time from the muting operation is determined by the capacities of the ripple filter capacitor between pin(6) and GND, and of the capacitor for NF.
- (2) As this muting system is operated by the short-circuit of ripple filter: C_5 , the ripple rejection ratio becomes worse in the muting condition.

At mute on, some pop noise of breaking the bias are produced.

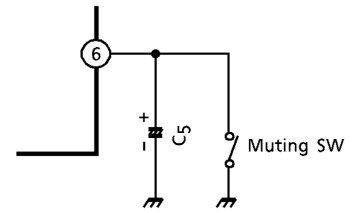
The output waveform at muting on

/ off during BTL, are shown in

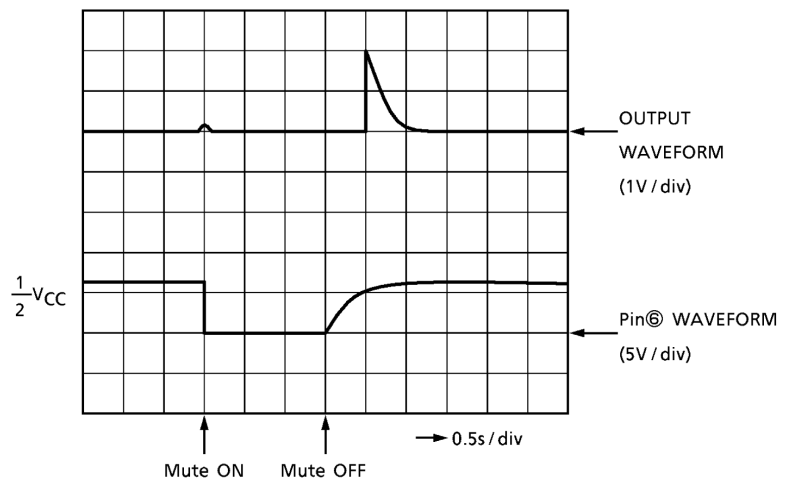
(Fig.4).

(Provided $V_{CC} = 13.2V$, $R_L = 4\Omega$, non-signal.)

50dB or more can be obtained for muting amount.



(Fig.3)



$V_{CC} = 13.2V$, $R_L = 4\Omega$, INPUT SHORT, BTL

(Fig.4)

3. Measures against oscillation.

C7, C8, C9, C12: The capacitor of polyester film having small variation of the temperature characteristics is recommended as the capacitor for oscillation prevention.

C12: Reduces the gain in the high range frequency (150kHz or over) and increases the oscillation allowance.

R5: Increases the oscillation allowance at output clipping of the low range frequency (100Hz or less).

Since the oscillation allowance varies according to the following item, carry out the temperature test to confirm the oscillation allowance.

- (1) Gain to be used (GV setting).
- (2) Capacity of capacitor
- (3) Kinds of capacitor
- (4) Layout of printed board

It is recommended to use the capacitor having the capacity exceeding the oscillation stopping value. At using with the voltage gain GV lowered or with the high range frequency and the oscillation becomes liable to be produced.

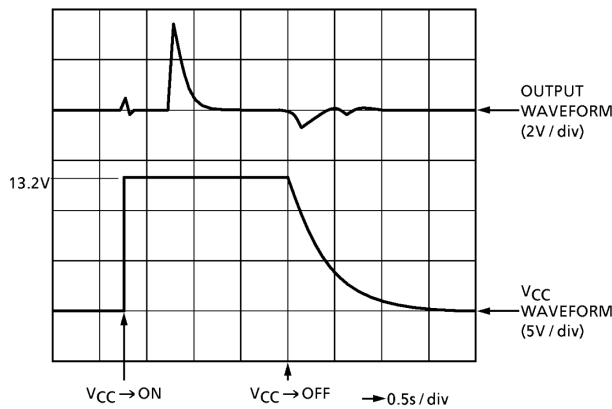
Therefore, application with GV = 40dB or over is advisable.

Especially for using with the gain lowered in dual operation, insert 1000pF between NF (pin(2) and pin(4)) and GND.

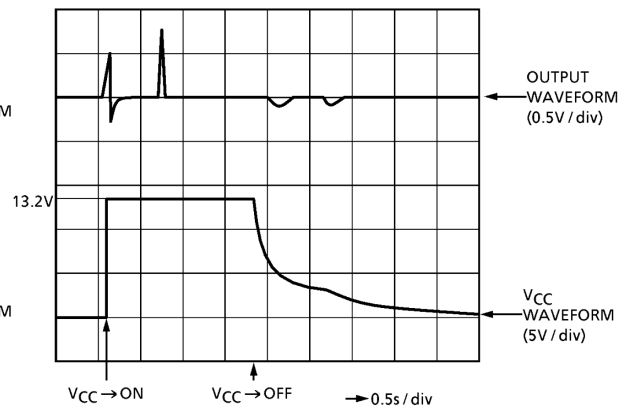
This capacitor reduces the gain of the high range frequency and is effective for oscillation prevention.

4. Output waveform at power supply on / off (reference)

BTL and dual amplifier DC output waveforms in the condition of VCC = 13.2V, RL = 4Ω at non-signal (input short) are shown in (Fig. 5) and (Fig. 6).



(Fig.5) BTL operation



(Fig.6) DUAL operation

The popping time at power supply on / off varies according to the rise and fall times.

The condition in which the power supply is rapidly and repeatedly mode on / off, that is, the condition in which the charge is made on the external capacitor of IC is different from the conditions shown in (Fig. 5) and (Fig. 6) .

Maximum Ratings (Ta = 25°C)

Characteristic	Symbol	Rating	Unit
Peak supply voltage (0.2 s)	V _{CC} (surge)	45	V
DC supply voltage	V _{CC} (DC)	25	V
Operating supply voltage	V _{CC} (opr)	18	V
Output current (peak)	I _O (peak)	4.5	A
Power dissipation	P _D	25	W
Operating temperature	T _{opr}	-30~85	°C
Storage temperature	T _{stg}	-55~150	°C

Electrical Characteristics

(unless otherwise specified, V_{CC} = 13.2V, R_L = 4Ω, R_g = 600Ω, f = 1kHz, Ta = 25°C)

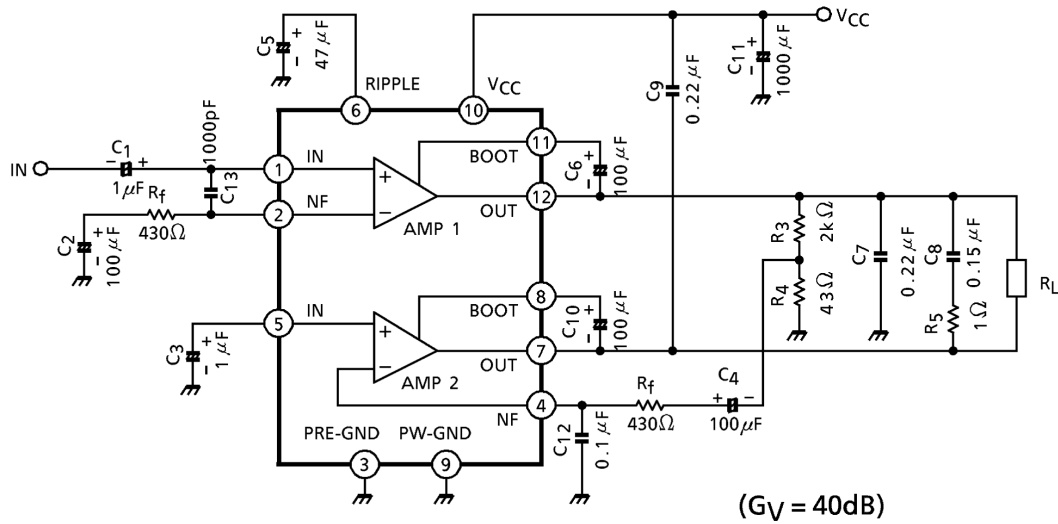
Characteristic	Symbol	Test Circuit	Test Condition	Min.	Typ.	Max.	Unit	
Quiescent current	I _{CCQ}	2	V _{IN} = 0	—	80	145	mA	
BTL connection mode	Output power	P _{OUT} (1)	THD = 10%, V _{CC} = 14.4V	—	22	—	W	
		P _{OUT} (2)	THD = 10%	16	19	—		
		P _{OUT} (3)	THD = 1%	12	15	—		
	Total harmonic distortion	THD (1)	1	P _{OUT} = 4W, G _V = 40dB	—	0.03	0.25	%
	Output offset voltage	V _{OFF}	1	V _{IN} = 0	—	0	0.35	V
	Voltage gain	G _V (1)	1	V _{OUT} = 0.775V _{rms} (0dBm)	—	40	—	dB
	Output noise voltage	V _{NO} (1)	1	R _g = 0 DIN45405 noise filter	—	0.14	—	mV _{rms}
Ripple rejection ratio	R. R. (1)	1	f _{ripple} = 100Hz V _{ripple} = 0.775V _{rms} (0dBm)	—	-52	-40	dB	
Dual mode	Output power	P _{OUT} (4)	2	THD = 10%	5	5.8	—	W
	Total harmonic distortion	THD (2)	2	P _{OUT} = 1W	—	0.06	0.30	%
	Voltage gain	G _V (2)	2	V _{OUT} = 0.775V _{rms} (0dBm)	50	52	54	dB
	Voltage gain ratio	ΔG _V	2	V _{OUT} = 0.775V _{rms} (0dBm)	-1	0	1	dB
	Output noise voltage	V _{NO} (2)	2	R _g = 10kΩ BW = 20Hz~20kHz	—	0.7	1.5	mV _{rms}
	Ripple rejection ratio	R. R. (2)	2	f _{ripple} = 100Hz V _{ripple} = 0.775V _{rms} (0dBm)	—	-52	-40	dB
	Cross talk	C. T.	2	V _{OUT} = 0.775V _{rms} (0dBm)	—	-57	—	dB
Input resistance	R _{IN}	2	f = 1kHz	—	33	—	kΩ	

Typ. DC Voltage Of Each Terminal ($V_{CC} = 13.2V$, $T_a = 25^\circ C$, dual mode test circuit)

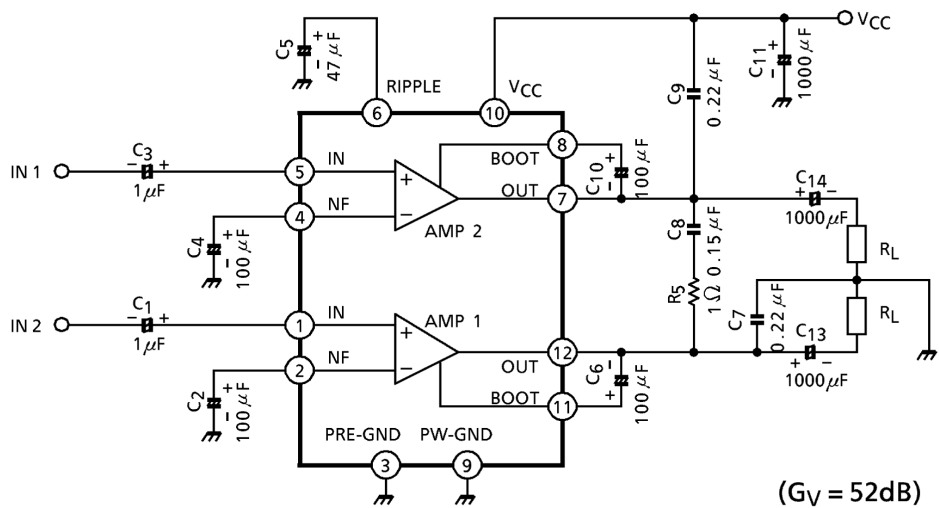
Terminal No.	1	2	3	4	5	6	7	8	9	10	11	12	
DC voltage (V)	TA7280P	1.5	1.5	GND	1.5	1.5	6.4	6.4	12.3	GND	V_{CC}	12.3	6.4
	TA7281P	6.4	12.3	V_{CC}	GND	12.3	6.4	6.4	1.5	1.5	GND	1.5	1.5

Test Circuit / Application Circuit

TA7280P
(1) BTL

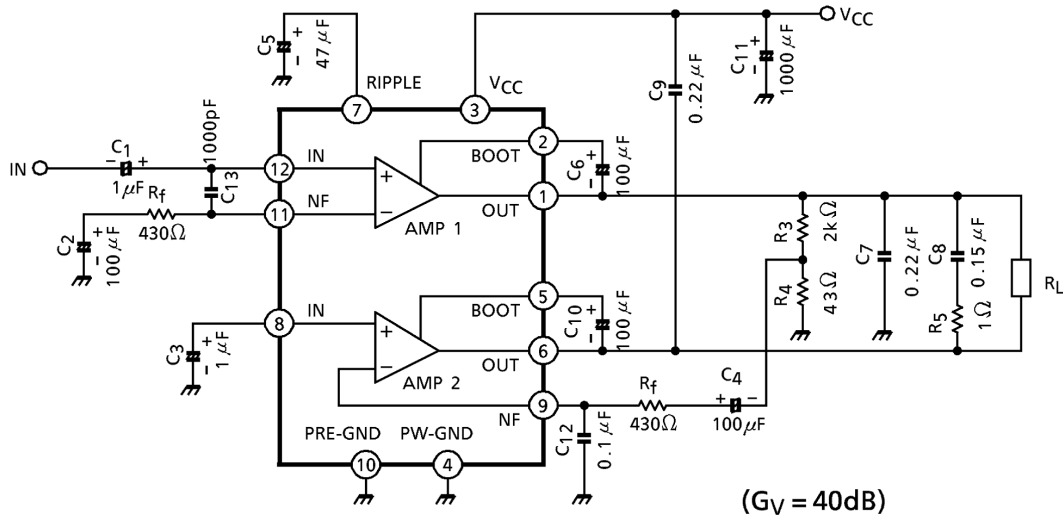


(2) DUAL

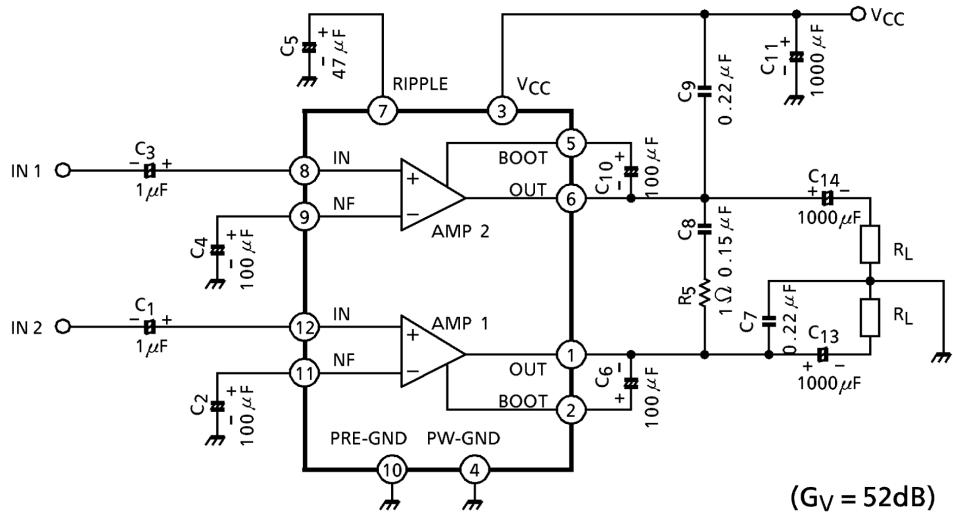


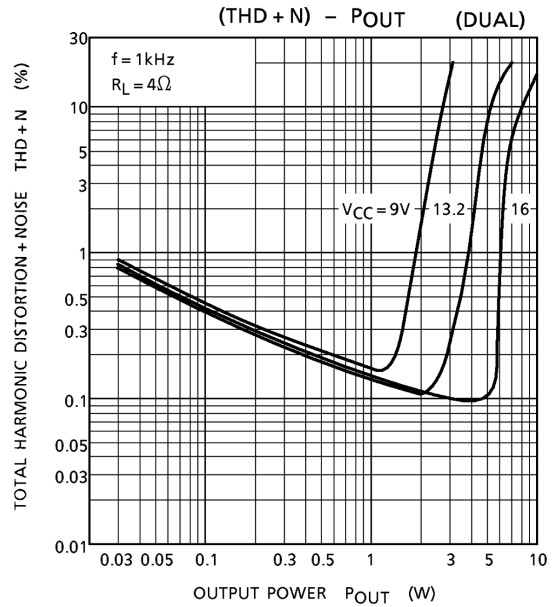
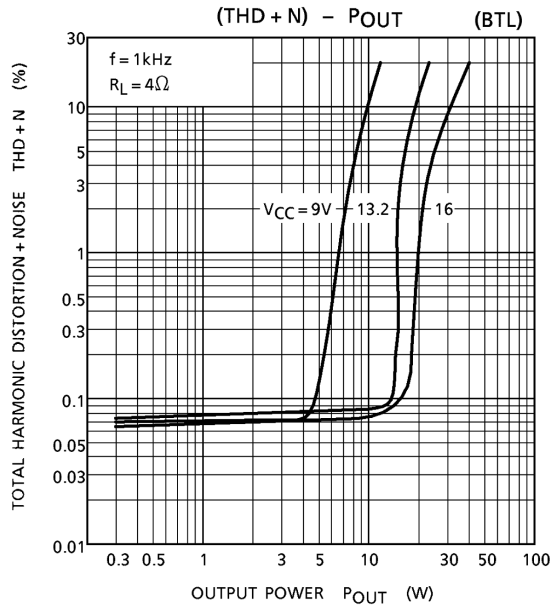
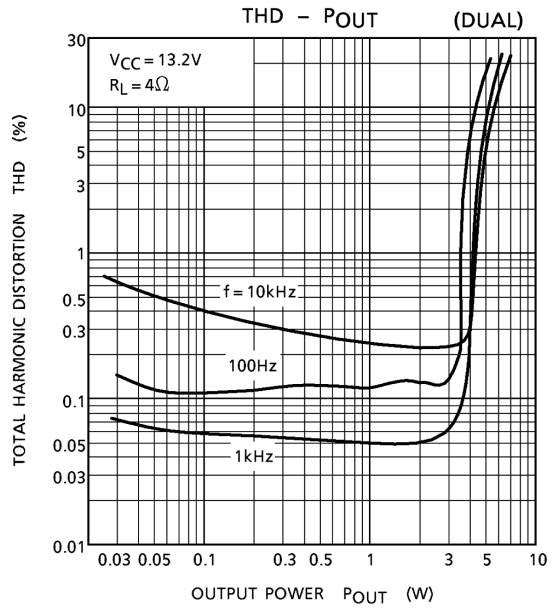
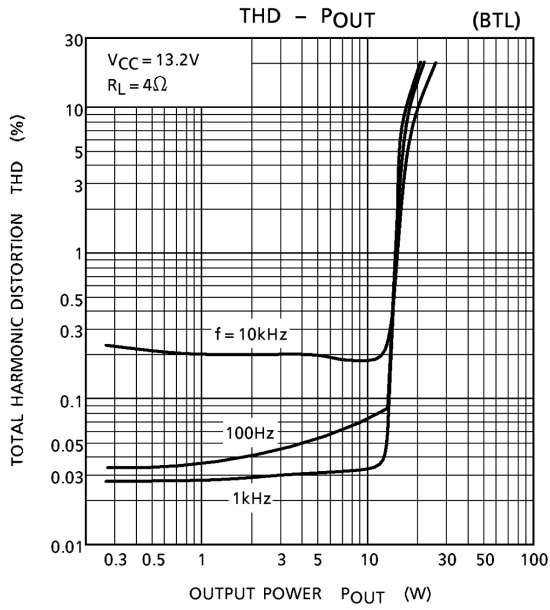
TA7281P

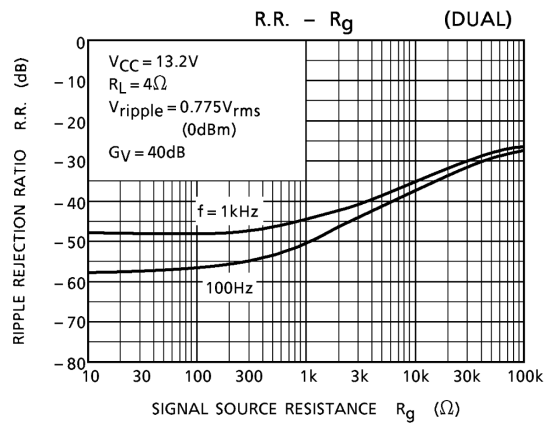
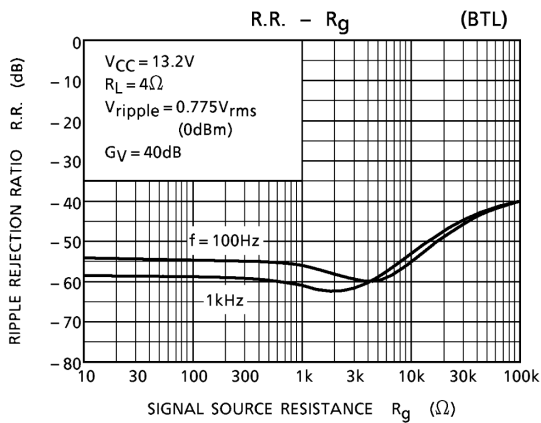
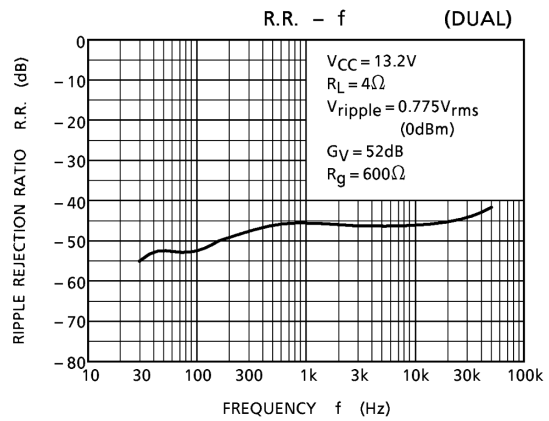
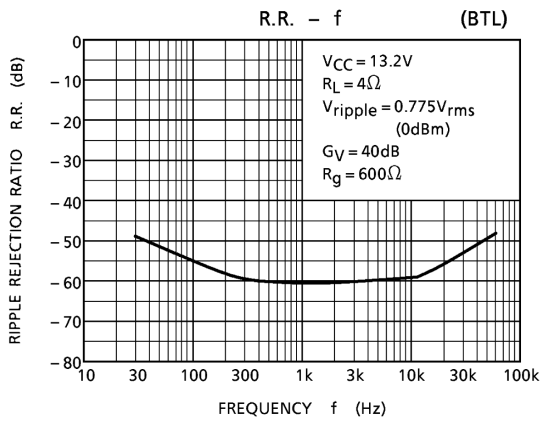
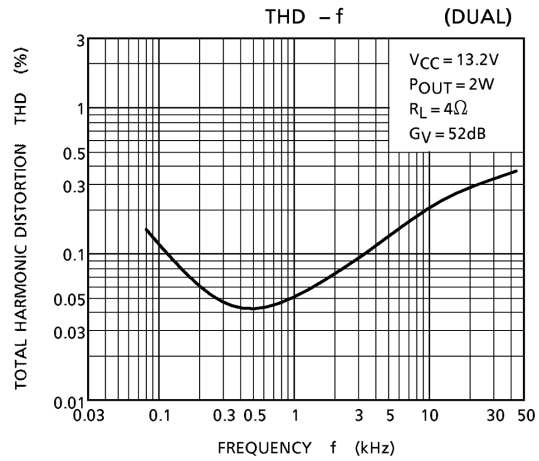
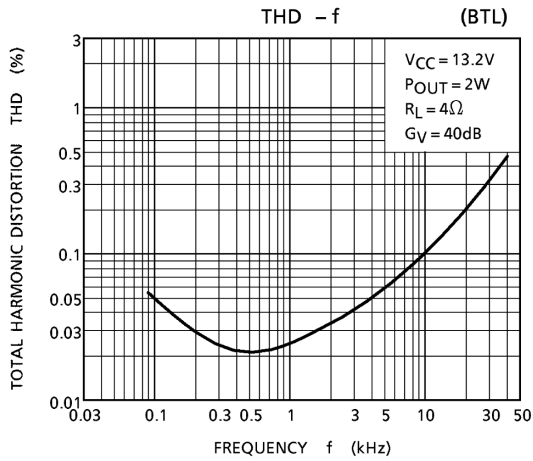
(1) BTL

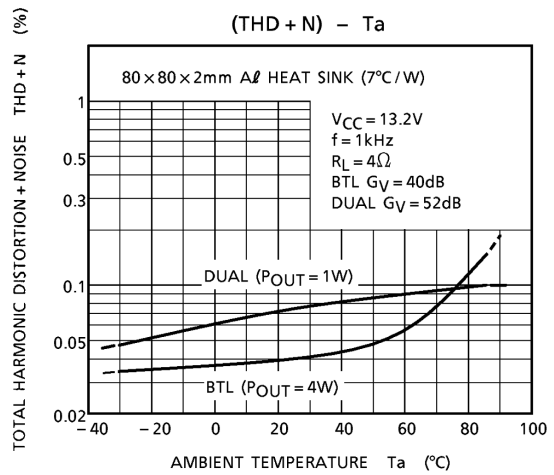
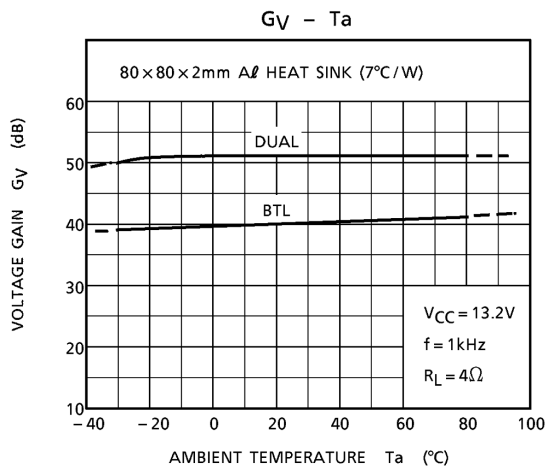
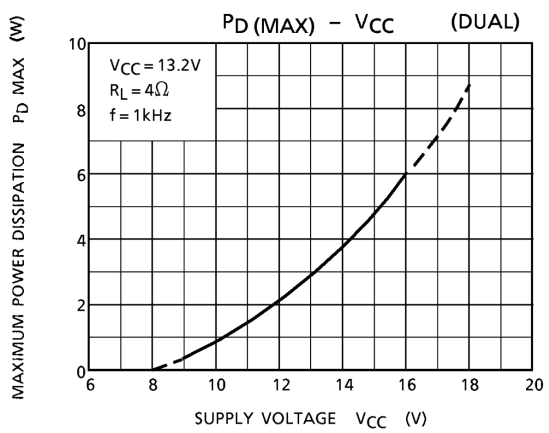
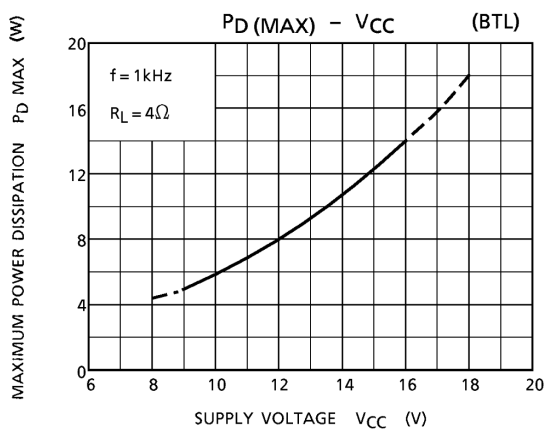
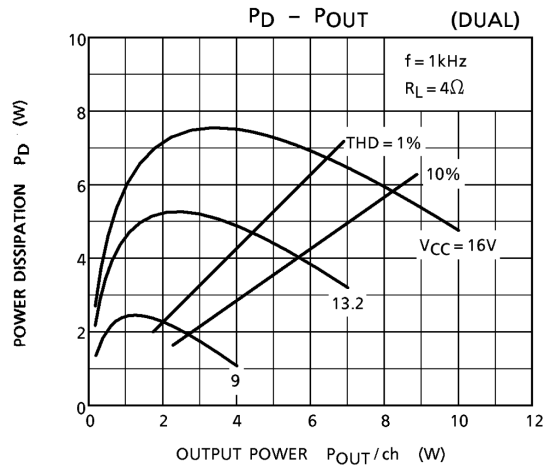
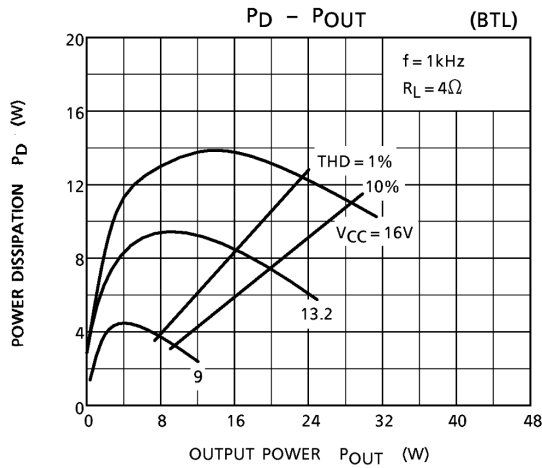


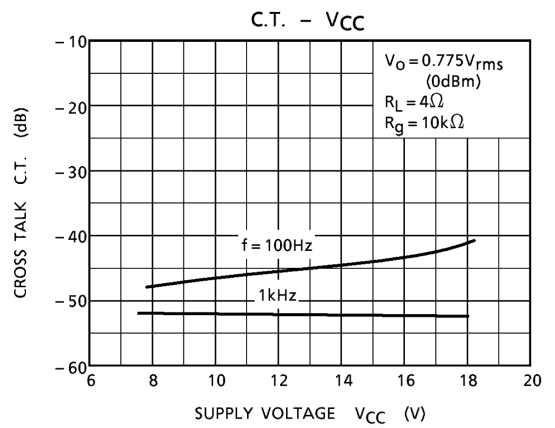
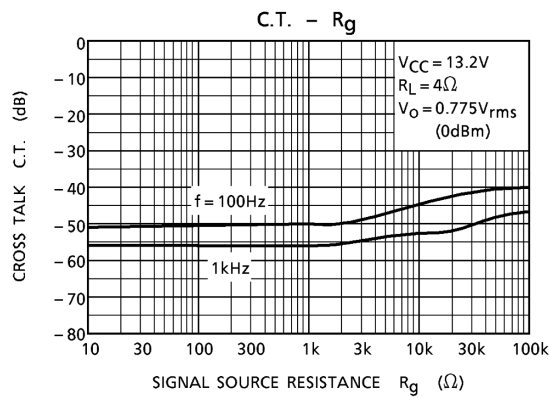
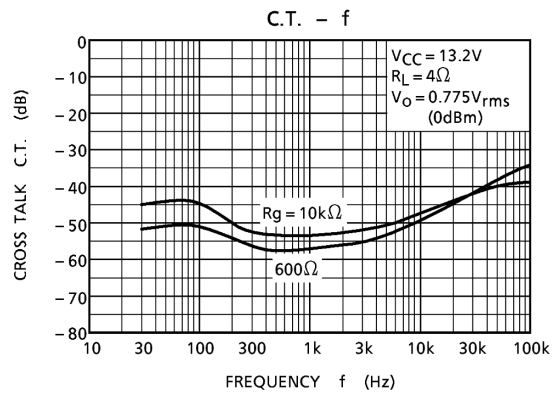
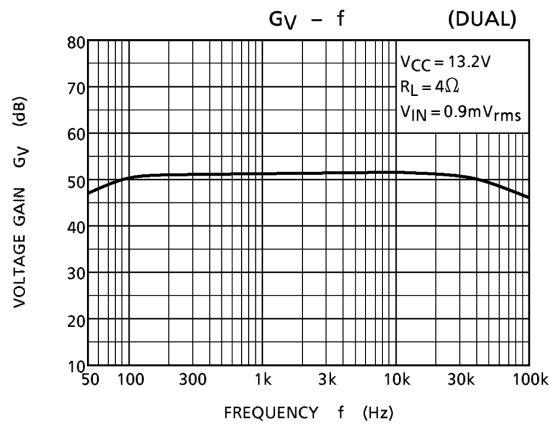
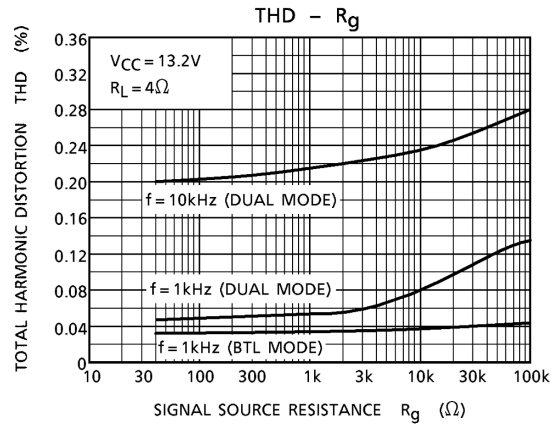
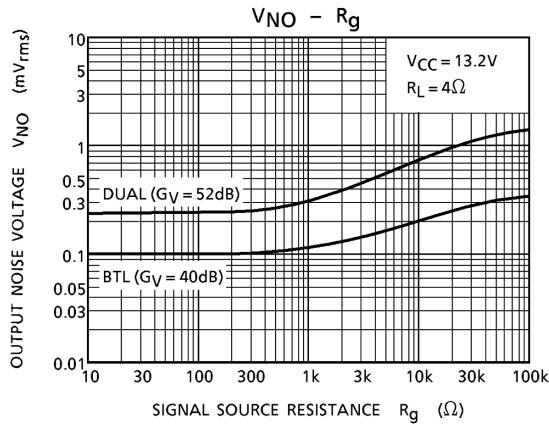
(2) DUAL

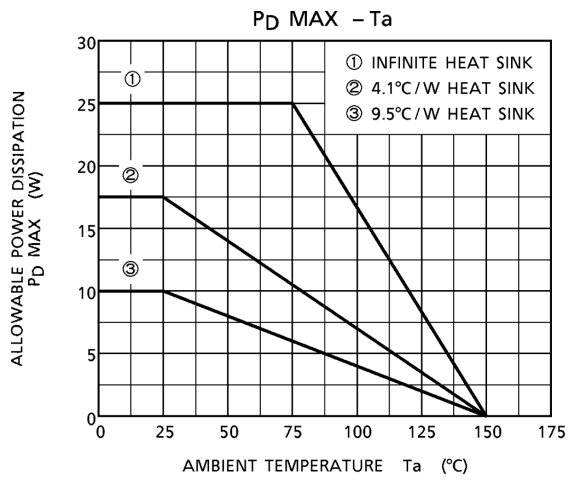
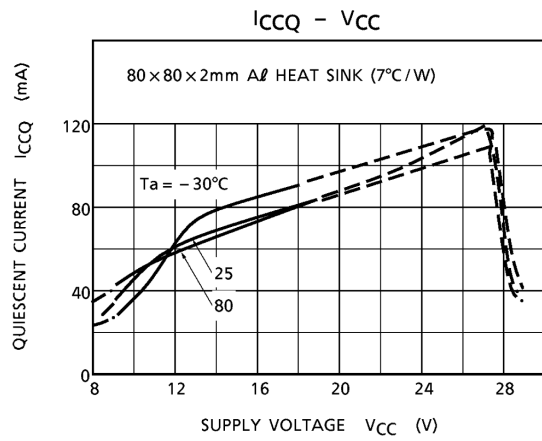
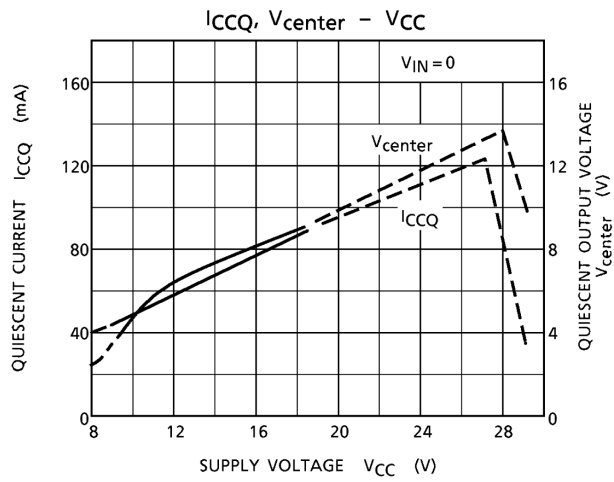








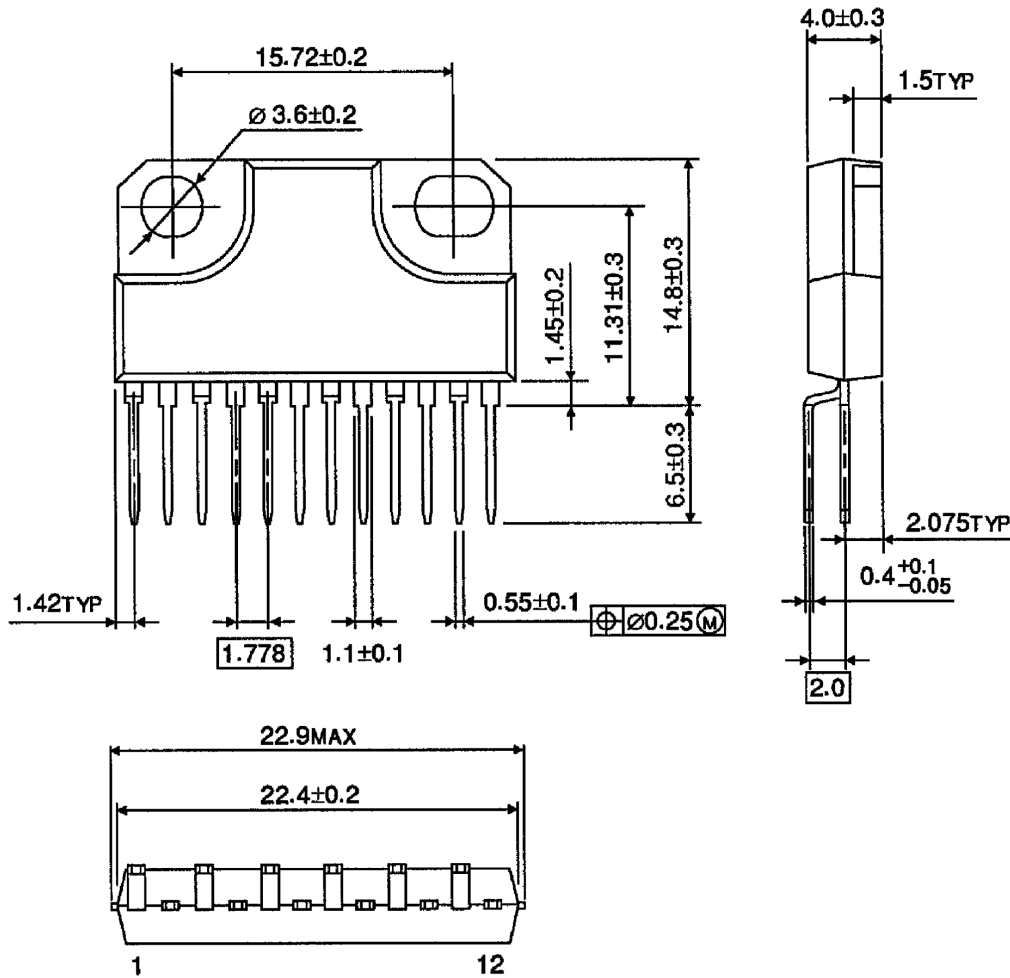




Package Dimensions

HZIP12-P-1.78B

Unit : mm



Weight: 4.04g (typ.)

RESTRICTIONS ON PRODUCT USE

000707EBA

- TOSHIBA is continually working to improve the quality and reliability of its products. Nevertheless, semiconductor devices in general can malfunction or fail due to their inherent electrical sensitivity and vulnerability to physical stress. It is the responsibility of the buyer, when utilizing TOSHIBA products, to comply with the standards of safety in making a safe design for the entire system, and to avoid situations in which a malfunction or failure of such TOSHIBA products could cause loss of human life, bodily injury or damage to property.
In developing your designs, please ensure that TOSHIBA products are used within specified operating ranges as set forth in the most recent TOSHIBA products specifications. Also, please keep in mind the precautions and conditions set forth in the "Handling Guide for Semiconductor Devices," or "TOSHIBA Semiconductor Reliability Handbook" etc..
- The TOSHIBA products listed in this document are intended for usage in general electronics applications (computer, personal equipment, office equipment, measuring equipment, industrial robotics, domestic appliances, etc.). These TOSHIBA products are neither intended nor warranted for usage in equipment that requires extraordinarily high quality and/or reliability or a malfunction or failure of which may cause loss of human life or bodily injury ("Unintended Usage"). Unintended Usage include atomic energy control instruments, airplane or spaceship instruments, transportation instruments, traffic signal instruments, combustion control instruments, medical instruments, all types of safety devices, etc.. Unintended Usage of TOSHIBA products listed in this document shall be made at the customer's own risk.
- The products described in this document are subject to the foreign exchange and foreign trade laws.
- The information contained herein is presented only as a guide for the applications of our products. No responsibility is assumed by TOSHIBA CORPORATION for any infringements of intellectual property or other rights of the third parties which may result from its use. No license is granted by implication or otherwise under any intellectual property or other rights of TOSHIBA CORPORATION or others.
- The information contained herein is subject to change without notice.