



LIGHTHAWK® ULTRASONIC WALL SWITCH SENSOR

WALL SWITCH OCCUPANCY SENSORS

FEATURES

- Digital Ultrasonic (US) sensor
- IntelliDAPT® self-adaptive technology; no manual adjustment required
- Single and dual relay models for on/off switching
- Occupancy (auto-ON) and Vacancy (manual-ON) operating modes
- 400 square-foot, 180° coverage area
- 120/277VAC, 347VAC and 24VDC models
- Zero Arc Point Switching



RELATED PRODUCTS

[Occupancy Sensor Accessories](#)

[LightHAWK Dual Tech](#)

[LightHAWK PIR](#)

[LightHAWK Dimming Dual Tech](#)

[LightHAWK Dimming PIR](#)

[LightHAWK Night Light](#)

SPECIFICATIONS

CONSTRUCTION

- Casing - high - impact injection - molded plastic (UL-94-5V Impact-resistance lens)
- Color-coded leads are 6" (152.4mm) long
- Wrap around galvanized steel mounting strap
- 2.9 oz. (82.21g)
- White; Ivory; Light Almond; Gray; Black

MOUNTING

- Single-gang NEMA-style switch box (standard switch box)
- Decorator-style wall plate sold separately

ELECTRICAL

- 40kHz output
- Natural light override range: 10-500 foot-candles
- 120/277VAC; 50/60Hz
- 347VAC; 50/60Hz

ELECTRICAL (CONTINUED)

- 24VDC (requires power pack - sold separately)
- 120VAC: 800W Incandescent/ Electronic Ballast/ LED Driver, 1,000W Magentic Ballast; 1/8 HP Motor
- 277VAC: 1,800W Magnetic Ballast/ Electronic Ballast/ LED Driver; 1/8 HP Motor
- 347VAC: 1,500W Magnetic Ballast/ Electronic Ballast/ LED Driver; 1/8 HP Motor

OPERATIONS

- IntelliDAPT
 - Self-adjusting Ultrasonic (US) and passive infrared (PIR) sensitivity
 - Automatic false-ON/ false-OFF corrections
 - No manual adjustments required
- Coverage
 - 400 square-foot, 180° coverage area

OPERATIONS (CONTINUED)

- Timer Settings
 - Auto mode: 4-30 minutes; self-adjusts based on occupancy
 - Fixed mode: 4, 8, 15, and 30 minutes
 - Test mode: 5 seconds

OPERATING ENVIRONMENT

- Indoor use only
- Operating temperature: 32° to 104°F (0° to 40°C)
- Relative humidity (non-condensing): 0% to 95%

CERTIFICATIONS

- UL and cUL listed

WARRANTY

- 5 year warranty
- See [HLI Standard Warranty](#) for additional information

ORDERING GUIDE

Example: LHUSS1-G-WH-M

CATALOG #

Series	Buttons	Wiring	Color	Mode
LHUSS LightHAWK Ultrasonic Single Relay	0 0 ¹	G Ground (120/277V) N Neutral (120/277V)	WH White IV Ivory	Blank Switchable Vacancy or Occupancy Mode M Vacancy Mode Only
LHDCUSD LightHAWK Ultrasonic Dual Isolated Relay	1 1 2 2 ²	24V Low Voltage ³ G347 Ground (347V) N347 Neutral (347V)	LA Light Almond GY Gray BK Black	

Notes:

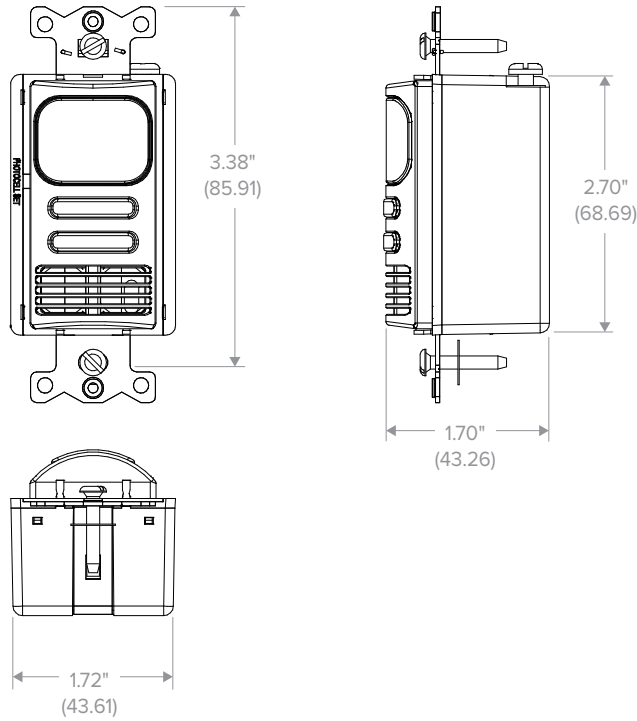
- 1 No button version not available with -M option
- 2 Two button option only available with LHDC model
- 3 Low voltage sensors require a power pack that is sold separately



LIGHTHAWK® ULTRASONIC WALL SWITCH SENSOR

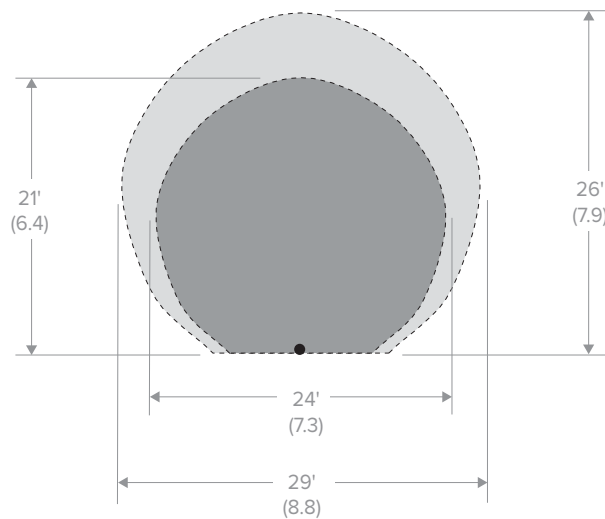
WALL SWITCH OCCUPANCY SENSORS

DIMENSIONS



ADDITIONAL INFORMATION

Coverage Pattern



US Major Motion US Minor Motion

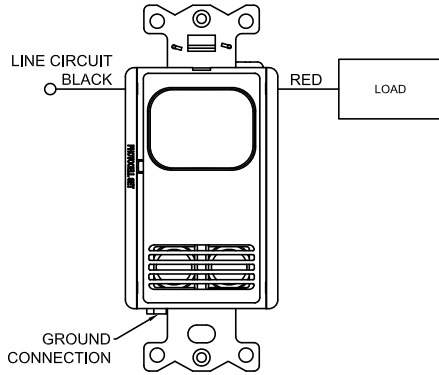


LIGHTHAWK® ULTRASONIC WALL SWITCH SENSOR

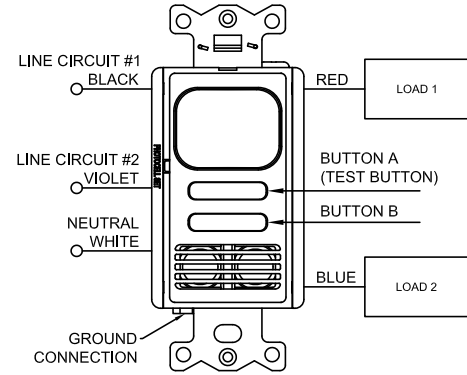
WALL SWITCH OCCUPANCY SENSORS

ADDITIONAL INFORMATION (CONTINUED)

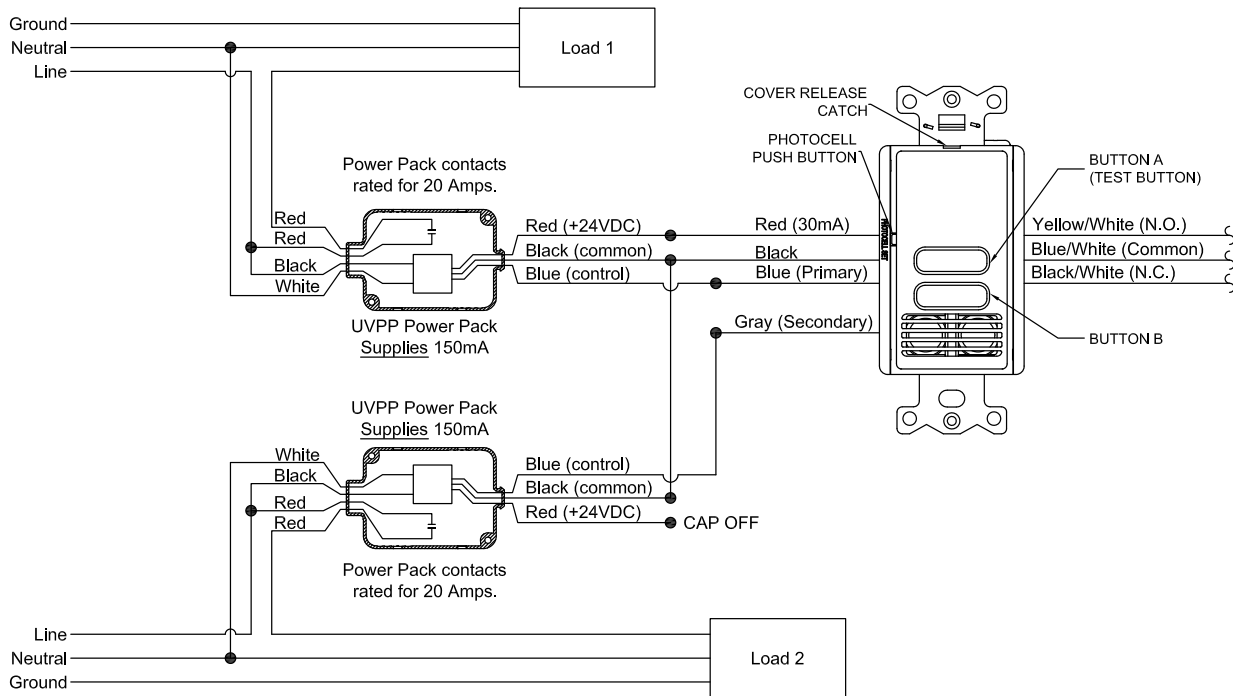
Wiring Diagrams



SINGLE LOAD WIRING



DUAL LOAD WIRING



LOW VOLTAGE DUAL LEVEL CONTROL WITH TWO POWER PACKS

All product and company names, logos and product identifiers are trademarks™ or registered trademarks® of Hubbell Lighting, Inc. or their respective owners. Use of them does not necessarily imply any affiliation with or endorsement by such respective owners.