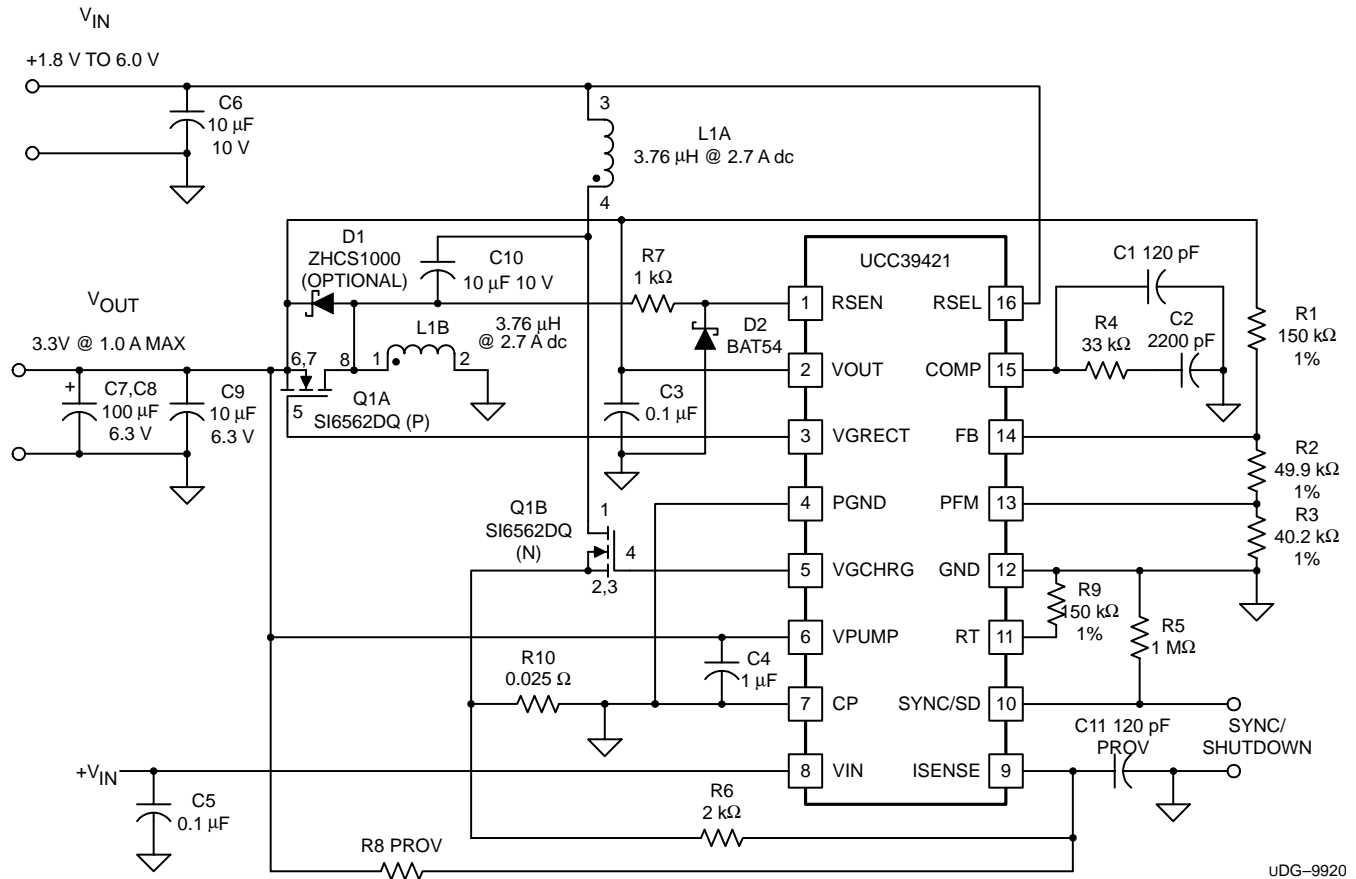


# UCC39421 3.3-V SEPIC Evaluation Board

Power Supply Control Products

## Contents

<b>1</b>	<b>Introduction</b> .....	<b>2</b>
<b>2</b>	<b>Evaluation Board Features</b> .....	<b>2</b>
<b>3</b>	<b>Operation</b> .....	<b>2</b>
3.1	Input Voltage and Maximum Load .....	2
3.2	PFM Mode .....	2
3.3	Synchronization/Shutdown .....	3
3.4	Low Power Mode .....	3
3.5	Optional Schottky Diode .....	3
3.6	Provisional Noise Filter Capacitors .....	3
<b>4</b>	<b>Efficiency</b> .....	<b>4</b>
<b>5</b>	<b>List of Materials</b> .....	<b>5</b>



UDG-9920

**Figure 1. Evaluation Module Schematic**

## 1 Introduction

The UCC39421 SEPIC demo board implements a complete 330-kHz, 3.3-V SEPIC converter. The user needs only to supply an input voltage and a load. A list of materials, giving the component part numbers and case sizes, is given in Table 1. The schematic is shown in Figure 1 and a typical efficiency curve is shown in Figure 2.

## 2 Evaluation Board Features

- 330-kHz fixed frequency operation
- Synchronous rectification
- Current-mode control
- $V_{IN}$  range of 1.8 V to 6.0 V
- $V_{OUT}$  of 3.3 V at 1 A
- Output ripple < 50 mV peak-to-peak at 1-A load
- High efficiency of up to 90%
- PFM mode for improved efficiency at light load
- Synchronization/shutdown input

## 3 Operation

### 3.1 Input Voltage and Maximum Load

The converter operates with an input voltage between 1.8 Vdc and 6.0 Vdc. Once the converter is running, the input voltage can drop as low as 1.5 V at light load. The maximum allowed load is dependent upon the input voltage. At low input voltages, the dual MOSFET may get too hot, or peak current limit may be initiated. The load can be as high as 1-A steady state with an input of 2.5 V or greater. (Do not exceed an input voltage of 8.0 Vdc absolute maximum.)

Higher load currents can be supplied by using a larger MOSFET (with more heatsinking) and lowering the value of the current sense resistor (R10).

The stray inductance of the input power leads should be kept to a minimum to avoid input filter oscillation. If long leads are used, it is recommended that a 100- $\mu$ F tantalum capacitor be added across the input terminals of the evaluation board. This lowers the Q of the input stage, and prevents potential loop oscillation.

### 3.2 PFM Mode

The UCC39421 is designed to automatically transition from fixed-frequency PWM operation to PFM (pulse frequency modulation) mode when the voltage on the COMP pin drops below the voltage programmed by the user on the PFM pin. This greatly improves efficiency at light load. With the component values supplied on the evaluation board, this transition occurs around a load current of 200 mA. The exact point will vary with input voltage. If desired, this feature can be disabled by grounding the PFM pin. (Note that if R3 is replaced by a jumper, the value of R2 must be increased by the value of R3 to maintain the same output voltage.)

### 3.3 Synchronization/Shutdown Input

Terminals are provided for connecting to the synchronization/shutdown input. This input may be left open (since pull-down R5 is included), in which case the converter runs freely at approximately 330 kHz. If desired, an external clock (0 V to 2 V peak minimum) may be applied to synchronize the PWM to a higher frequency. The duty cycle of the clock is not critical, but it must have a pulse width of at least 100 ns.

If the synchronization/shutdown input is held high (greater than 2 V) for over 20  $\mu$ s, the converter initiates shutdown.

### 3.4 Low Power Mode

The UCC39421 also has a low-power mode feature, designed to improve the efficiency at light to medium loads by reducing the gate drive voltage to the N channel. Normally the device selects the highest voltage available (usually VPUMP) to drive the gate of the ground-referenced FET. However, when the COMP voltage drops below 0.5 V, the device switches the FET gate drive to the lower voltage (VIN) to reduce losses. (Note that the drive level to the synchronous rectifier FET will always be VPUMP.) In some circumstances, if VIN is too low (such as below 2.5 V), this may be undesirable, even at light load. In these cases, low-power mode can be disabled by summing a small (20 mV) dc bias onto the voltage at the ISENSE pin. Provisional resistor R8 serves this purpose on the evaluation board. By installing a 270-k $\Omega$  resistor in place for R8, low-power mode is disabled. Note that low-power mode operates independently from PFM mode, and can be used in applications where PFM has been disabled.

### 3.5 Optional Schottky Diode

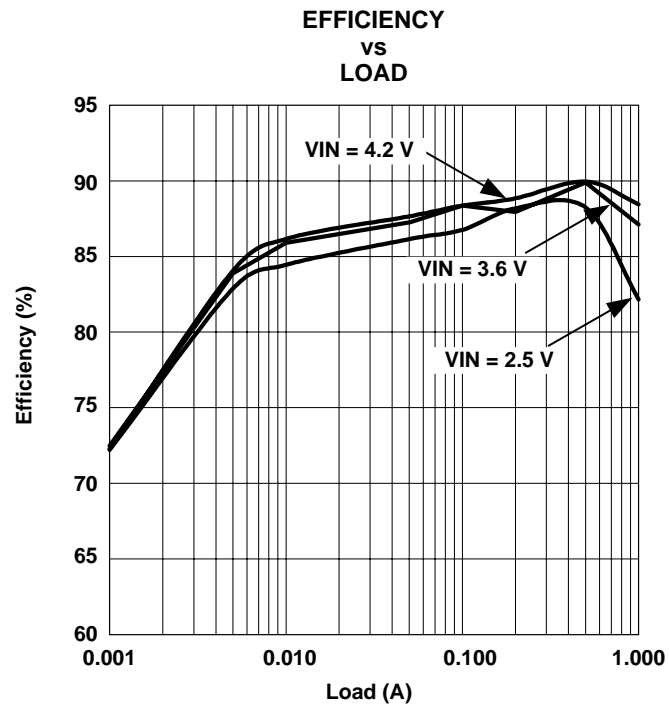
The evaluation board comes with a small Schottky diode installed in parallel with the synchronous rectifier. This optional diode improves efficiency by approximately 1%, by conducting the output current during the anti-cross-conduction delay times. During these times (about 35 ns at rectifier turn-on and turn-off), both MOSFETs are turned off. Without the diode installed, the output current must flow through the body diode of the rectifier MOSFET during these short intervals, thereby lowering efficiency.

### 3.6 Provisional Noise Filter Capacitors

The evaluation board comes with a provisional capacitor for added noise filtering (C11). This part is not installed, but can be used to filter the leading edge spike on the current-sense signal, supplementing the leading edge blanking built into the UCC39421.

For more application information, please consult the UCC39421 datasheet, TI Literature No. SLUS246.

## 4 Efficiency



## 5 List of Materials

**Table 1. Evaluation Board List of Materials**

REFERENCE DESIGNATOR	DESCRIPTION	MANUFACTURER	PART NUMBER	SIZE
C1	120 pF ceramic capacitor			0805 chip
C2	2200 pF ceramic capacitor			0805 chip
C3, C5	0.1 $\mu$ F ceramic capacitor			0805 chip
C4	1 $\mu$ F ceramic capacitor			1206 chip
C6, C10	10 $\mu$ F, 10 V, MLC capacitor	Taiyo Yuden	LMK325BJ106MN	1210 chip
C7, C8	100 $\mu$ F, 6.3 V capacitor	Sanyo Poscap	6TPC100M	
C9	10 $\mu$ F, 6.3 V, MLC capacitor	Taiyo Yuden	JMK316BJ106ML	1206 chip
C11 (provisional)	120 pF ceramic capacitor			0805 chip
D1 (optional)	1 A Schottky diode	Zetex	ZHCS1000	SOT-23
D2	0.2 A Schottky diode	Zetex	BAT54	SOT-23
L1	3.76 $\mu$ H @ 2.7 A dc inductor	BH Electronics	511-0033	
Q1	Dual MOSFET (N/P)	Temec	Si6562DQ	TSSOP-8
R1	150 k $\Omega$ , 1%, 0.1 W metal film resistor			0805 chip
R2	49.9 k $\Omega$ , 1%, 0.1 W metal film resistor			0805 chip
R3	40.2 k $\Omega$ , 1%, 0.1 W metal film resistor			0805 chip
R4	33 k $\Omega$ , 5%, 0.1 W metal film resistor			0805 chip
R5	1M, 5%, 0.1 W metal film resistor			0805 chip
R6	2 k $\Omega$ , 5%, 0.1 W metal film resistor			0805 chip
R7	1 k $\Omega$ , 5%, 0.1 W metal film resistor			0805 chip
R8 (provisional)	Provisional resistor (not installed)			0805 chip
R9	150 k $\Omega$ , 1%, 0.1 W metal film resistor			0805 chip
R10	0.025 $\Omega$ , 5%, 0.5 W film resistor		LIRC LRC- RF1206-01-R025-J	1206 chip
U1	UCC39421PW			16-pin TSSOP

### EVM IMPORTANT NOTICE

Texas Instruments (TI) provides the enclosed product(s) under the following conditions:

This evaluation kit being sold by TI is intended for use for **ENGINEERING DEVELOPMENT OR EVALUATION PURPOSES ONLY** and is not considered by TI to be fit for commercial use. As such, the goods being provided may not be complete in terms of required design-, marketing-, and/or manufacturing-related protective considerations, including product safety measures typically found in the end product incorporating the goods. As a prototype, this product does not fall within the scope of the European Union directive on electromagnetic compatibility and therefore may not meet the technical requirements of the directive.

Should this evaluation kit not meet the specifications indicated in the EVM User's Guide, the kit may be returned within 30 days from the date of delivery for a full refund. **THE FOREGOING WARRANTY IS THE EXCLUSIVE WARRANTY MADE BY SELLER TO BUYER AND IS IN LIEU OF ALL OTHER WARRANTIES, EXPRESSED, IMPLIED, OR STATUTORY, INCLUDING ANY WARRANTY OF MERCHANTABILITY OR FITNESS FOR ANY PARTICULAR PURPOSE.**

The user assumes all responsibility and liability for proper and safe handling of the goods. Further, the user indemnifies TI from all claims arising from the handling or use of the goods. Please be aware that the products received may not be regulatory compliant or agency certified (FCC, UL, CE, etc.). Due to the open construction of the product, it is the user's responsibility to take any and all appropriate precautions with regard to electrostatic discharge.

**EXCEPT TO THE EXTENT OF THE INDEMNITY SET FORTH ABOVE, NEITHER PARTY SHALL BE LIABLE TO THE OTHER FOR ANY INDIRECT, SPECIAL, INCIDENTAL, OR CONSEQUENTIAL DAMAGES.**

TI currently deals with a variety of customers for products, and therefore our arrangement with the user **is not exclusive.**

TI assumes **no liability for applications assistance, customer product design, software performance, or infringement of patents or services described herein.**

Please read the EVM User's Guide and, specifically, the EVM Warnings and Restrictions notice in the EVM User's Guide prior to handling the product. This notice contains important safety information about temperatures and voltages. For further safety concerns, please contact the TI application engineer.

Persons handling the product must have electronics training and observe good laboratory practice standards.

No license is granted under any patent right or other intellectual property right of TI covering or relating to any machine, process, or combination in which such TI products or services might be or are used.

Mailing Address:

Texas Instruments  
Post Office Box 655303  
Dallas, Texas 75265

Copyright © 2001, Texas Instruments Incorporated

## IMPORTANT NOTICE

Texas Instruments Incorporated and its subsidiaries (TI) reserve the right to make corrections, modifications, enhancements, improvements, and other changes to its products and services at any time and to discontinue any product or service without notice. Customers should obtain the latest relevant information before placing orders and should verify that such information is current and complete. All products are sold subject to TI's terms and conditions of sale supplied at the time of order acknowledgment.

TI warrants performance of its hardware products to the specifications applicable at the time of sale in accordance with TI's standard warranty. Testing and other quality control techniques are used to the extent TI deems necessary to support this warranty. Except where mandated by government requirements, testing of all parameters of each product is not necessarily performed.

TI assumes no liability for applications assistance or customer product design. Customers are responsible for their products and applications using TI components. To minimize the risks associated with customer products and applications, customers should provide adequate design and operating safeguards.

TI does not warrant or represent that any license, either express or implied, is granted under any TI patent right, copyright, mask work right, or other TI intellectual property right relating to any combination, machine, or process in which TI products or services are used. Information published by TI regarding third-party products or services does not constitute a license from TI to use such products or services or a warranty or endorsement thereof. Use of such information may require a license from a third party under the patents or other intellectual property of the third party, or a license from TI under the patents or other intellectual property of TI.

Reproduction of information in TI data books or data sheets is permissible only if reproduction is without alteration and is accompanied by all associated warranties, conditions, limitations, and notices. Reproduction of this information with alteration is an unfair and deceptive business practice. TI is not responsible or liable for such altered documentation.

Resale of TI products or services with statements different from or beyond the parameters stated by TI for that product or service voids all express and any implied warranties for the associated TI product or service and is an unfair and deceptive business practice. TI is not responsible or liable for any such statements.

### Mailing Address:

Texas Instruments  
Post Office Box 655303  
Dallas, Texas 75265