

# High-Performance Synchronous Buck EVM Using the TPS51511

This user's guide contains information pertaining to the TPS51511 operating specification, the EVM schematic, the bill of materials, and the printed-circuit board layout.

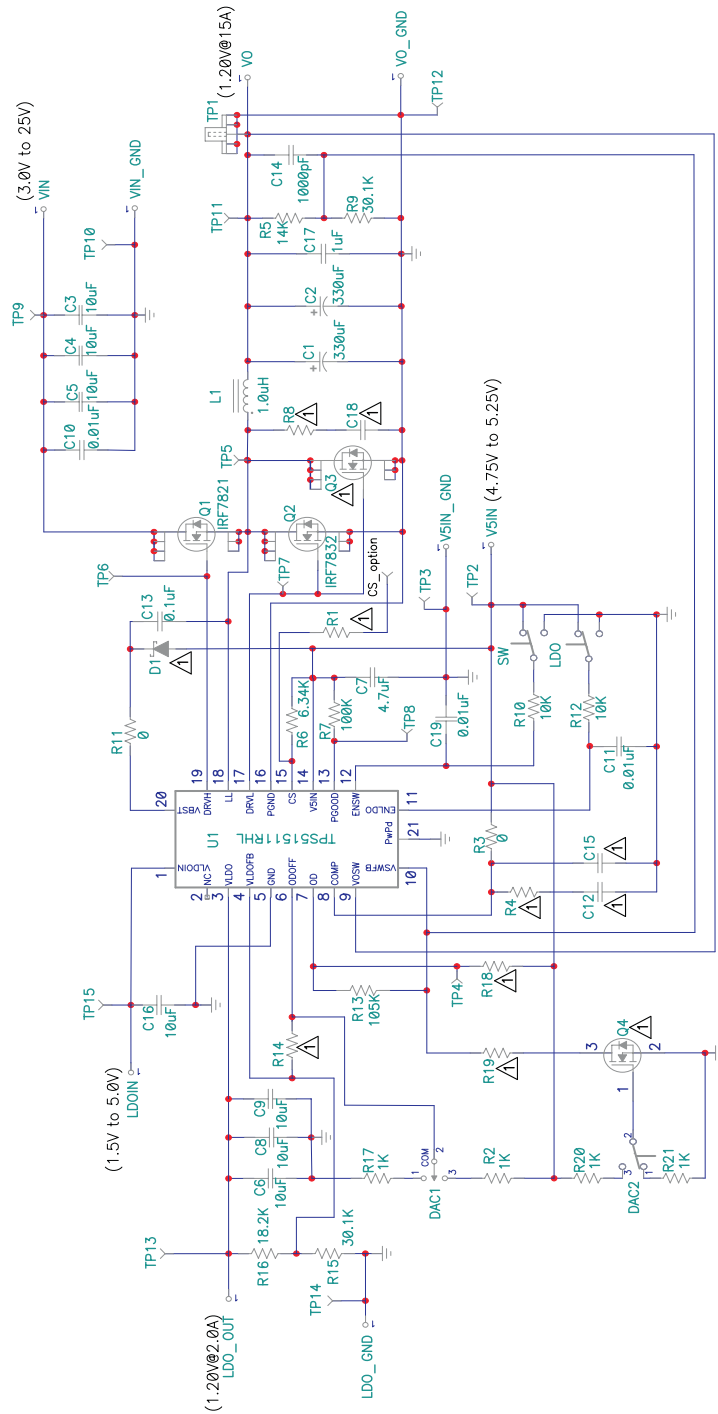
## 1 Hardware

### 1.1 Operating Specification, TPS51511

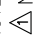
#### Common Parameter

CH1: Switcher						
PARAMETER	TEST CONDITIONS	MIN	TYP	MAX	UNIT	
Input voltage range(VIN)		3		25	V	
Input voltage range(V5IN)		4.75		5.25	V	
Operating frequency			350		kHz	
Output voltage	High performance		1.2	400k	V	
	Low performance		1.1			
	Adjustable	0.75		3.3		
Output current			15		A	
Current limit			18		A	
CH2: LDO						
PARAMETER	TEST CONDITIONS	MIN	TYP	MAX	UNIT	
Input voltage range		1.5		5	V	
Output voltage	VGA I/O power		1.2		V	
	Adjustable	0.75		3.3		
Output current				2	A	
Current limit			2.5		A	

## 1.2 Schematic



NOTE:

 Not installed

Optional R1 is connected to a pad located near Q3 for possible resistor current sense. (CS\_Option)

**Figure 1. TPS51511RHL EVM Schematic Diagram (Switcher 1.2 V at 15 A, LDO 1.2 V at 2 A)**

### 1.3 Bill of Materials

Table 1 presents The TPS51511EVM bill of materials.

**Table 1. TPS51511EVM Bill of Materials**

RefDes	Pattern Name	Value	MFR	Part Number
C1,C2	D2E	330 $\mu$ F/2.5V	Sanyo	2R5TPE330MC
C3,C4,C5	1210	10 $\mu$ F/25V	TDK	C3225X5R1E106M
C6,C8,C9,C16	0805	10 $\mu$ F/6.3V	TDK	C2012X5R0J106K
C7	0603	4.7 $\mu$ F/6.3V	TDK	C1608X5R0J475M
C10, C11, C19	0603	0.01 $\mu$ F/50V	TDK	C1608X7R1H103M
C13	0603	0.1 $\mu$ F/50V	TDK	C1608X7R1H104K
C14	0603	1000 pF /50V	TDK	C1608X7R1H102K
C17	0805	1 $\mu$ F/ 25V	TDK	C2012X7R1E105K
C18	0603	Not Installed	TDK	C1608JB1H102M (1nF/50V)
C12,C15	0805	Not Installed	TDK	C1608X5R0JxxxM
Q1	SO-8	IRF7821	IR	IRF7821
Q2	SO-8	IRF7832	IR	IRF7832
Q3	SO-8	Not Installed	IR	IRF7832
Q4	SOT-23	Not Installed	Vishay	2N7002
D2	SOD-123	Not Installed	On Semi	MBR0530
L1	IND_IHLP- 5050	1.0 $\mu$ H	Vishay	IHLP5050CEER1R0M01
DAC1	ON-OFF-ON	G-13AP	NKK	G13AP
DAC2, LDO, SW	ON-ON	G-12AP	NKK	G12AP
R3	0603	0	Vishay	Std
R11	0805	0	Vishay	Std
R2,R17,R20,R21	0603	1K	Vishay	Std
R6	0603	6.34K	Vishay	Std
R10, R12	0603	10K	Vishay	Std
R5	0603	14K	Vishay	Std
R16	0603	18.2K	Vishay	Std
R9, R15	0603	30.1K	Vishay	Std
R7	0603	100K	Vishay	Std
R13	0603	105K	Vishay	Std
R1,R14	0603	Not Installed	Vishay	0
R18	0603	Not Installed	Vishay	100K
R19	0603	Not Installed	Vishay	Depends on 2bit DAC Vout set
R4	0603	Not Installed	Vishay	Std
R8	0805	Not Installed	Vishay	Std
U1	QFN 20	TPS51511	TI	TPS51511RHL
TP1	TP-Probe	131-4244-00	Tektronix	131-4244-00
TP2-TP15	TP loop	5002	Keystone Elect.	50021
V5IN,V5IN_GND,VIN,VIN_GND, VO,VO_GND, LDOIN,LDO_GND,LDO_OUT	Turret Dbl	1582-2	Keystone Elect.	1582-2
<b>HARDWARE</b>				
Standoff	SJ5003	Bumpon 0.44×0.20 Black (4Corners bottom)	3M	SJ5003 (Black)

## 1.4 Board Layout Using TPS51511RHL (QFN 20)

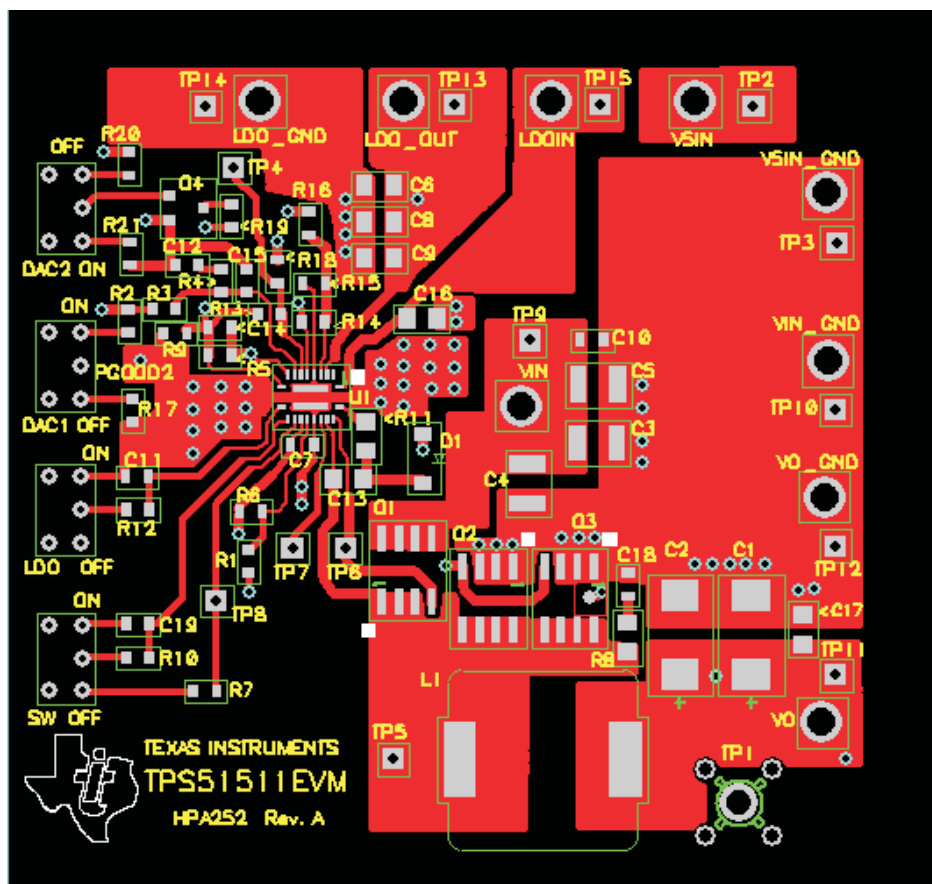


Figure 2. Top Layer Copper

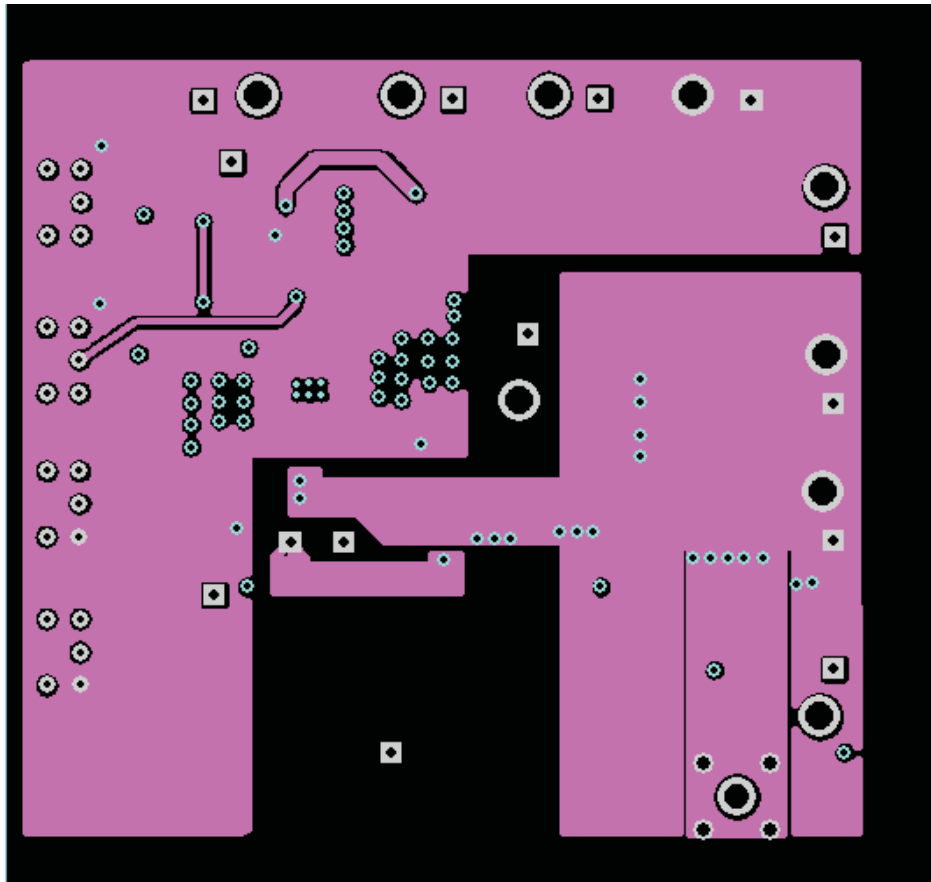


Figure 3. Layer 2 (Internal 1) Copper

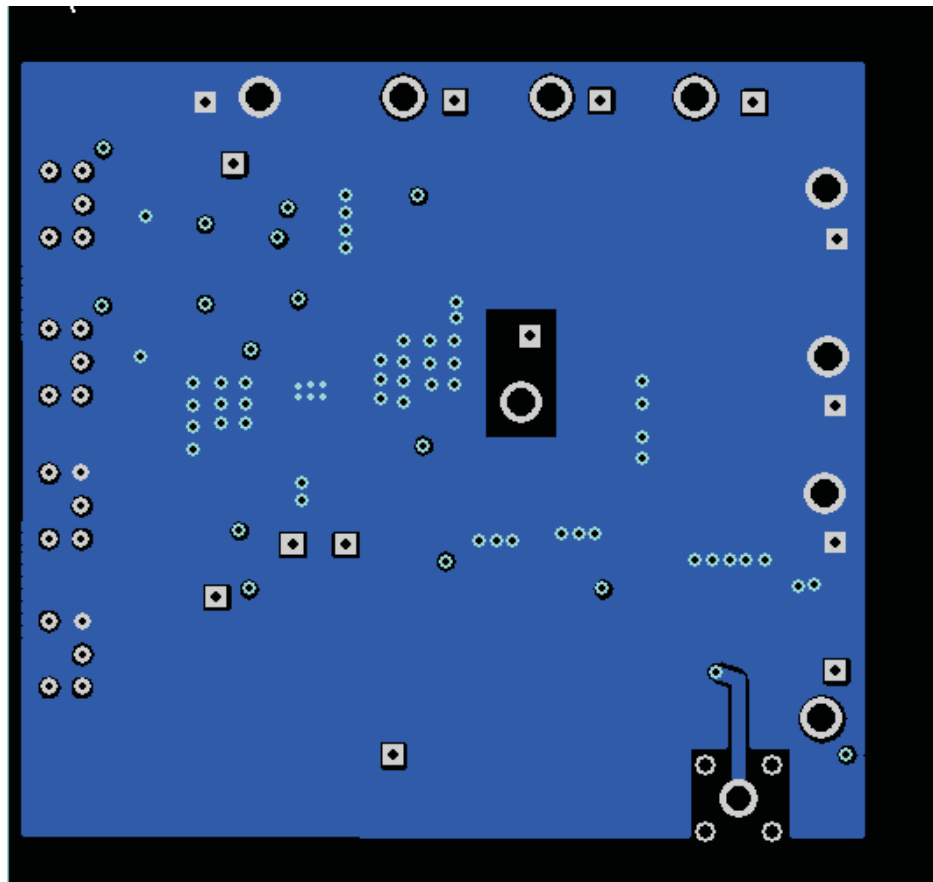


Figure 4. Layer 3 (Internal 2) Copper

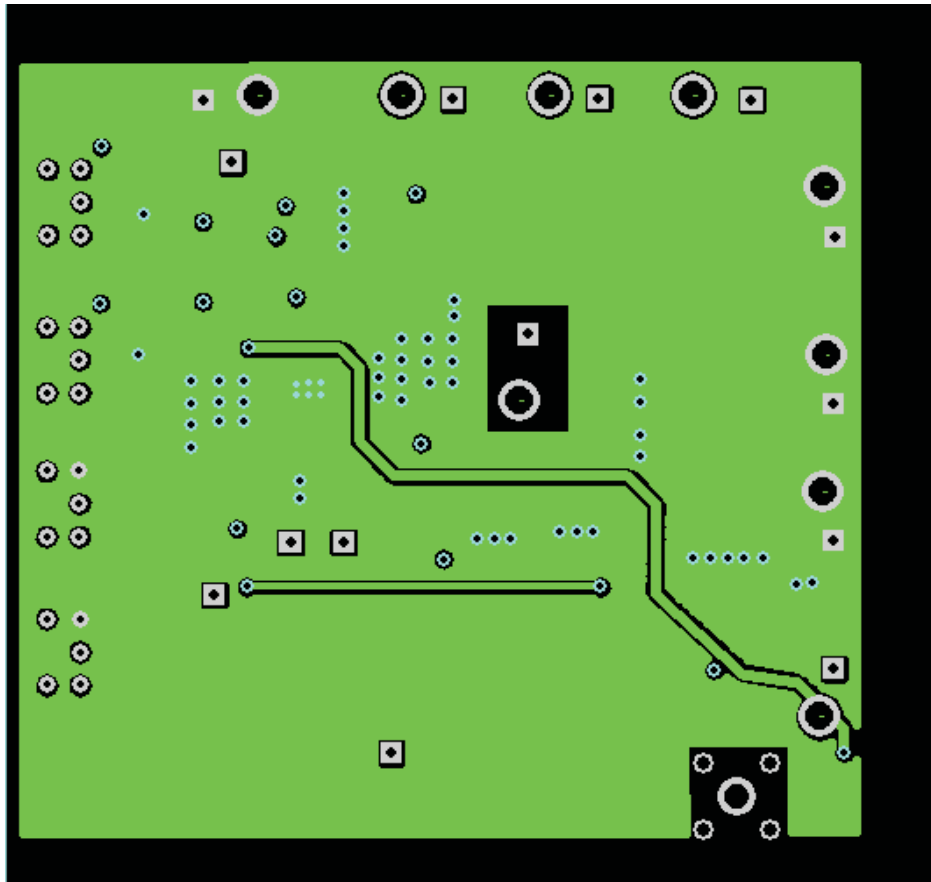


Figure 5. Bottom Layer Copper

## 1.5 Test Setup and Procedures

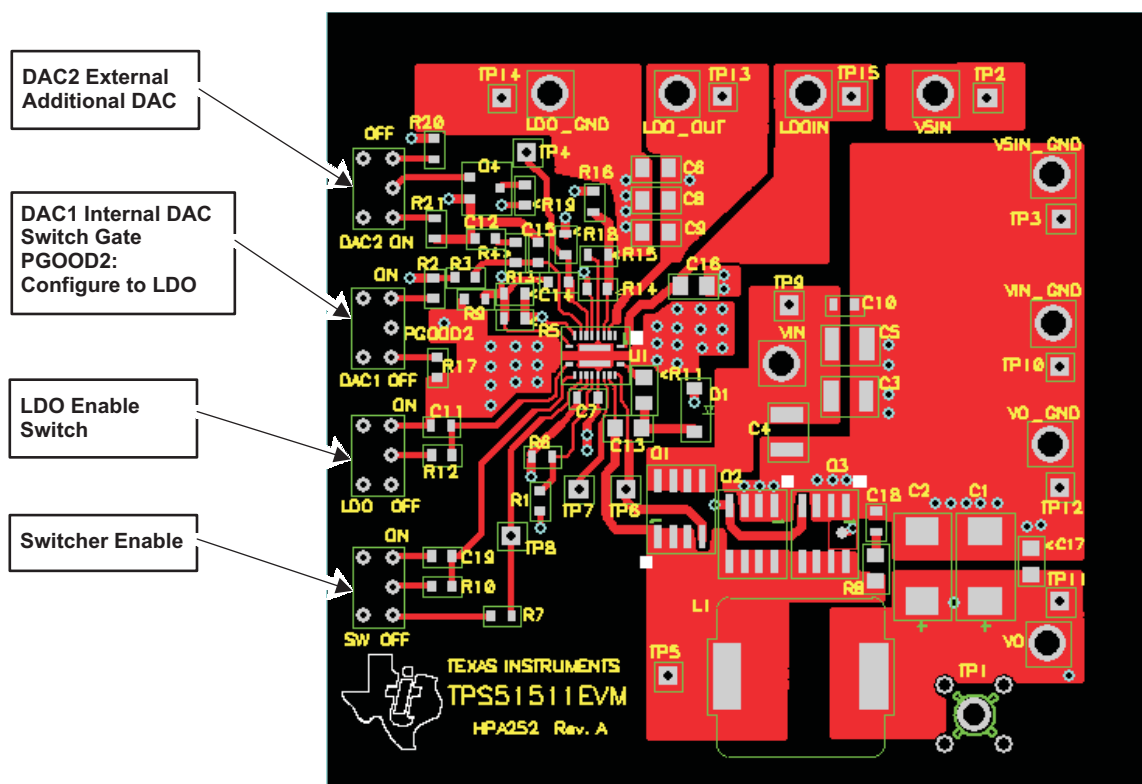


Figure 6. Switches and Jumpers

Table 2. Various Switch Settings

Switch	Function			
	On	Off	Floating	Components to Add for Specific Configuration
DAC2	Low	High	N/A	R19, Q4
DAC1	High	Low	LDO Power Good	R14, R18 (LDO Power Good)
LDO Switch	High	Low	N/A	N/A
Sw (Switcher Enable)	High	Low	N/A	N/A



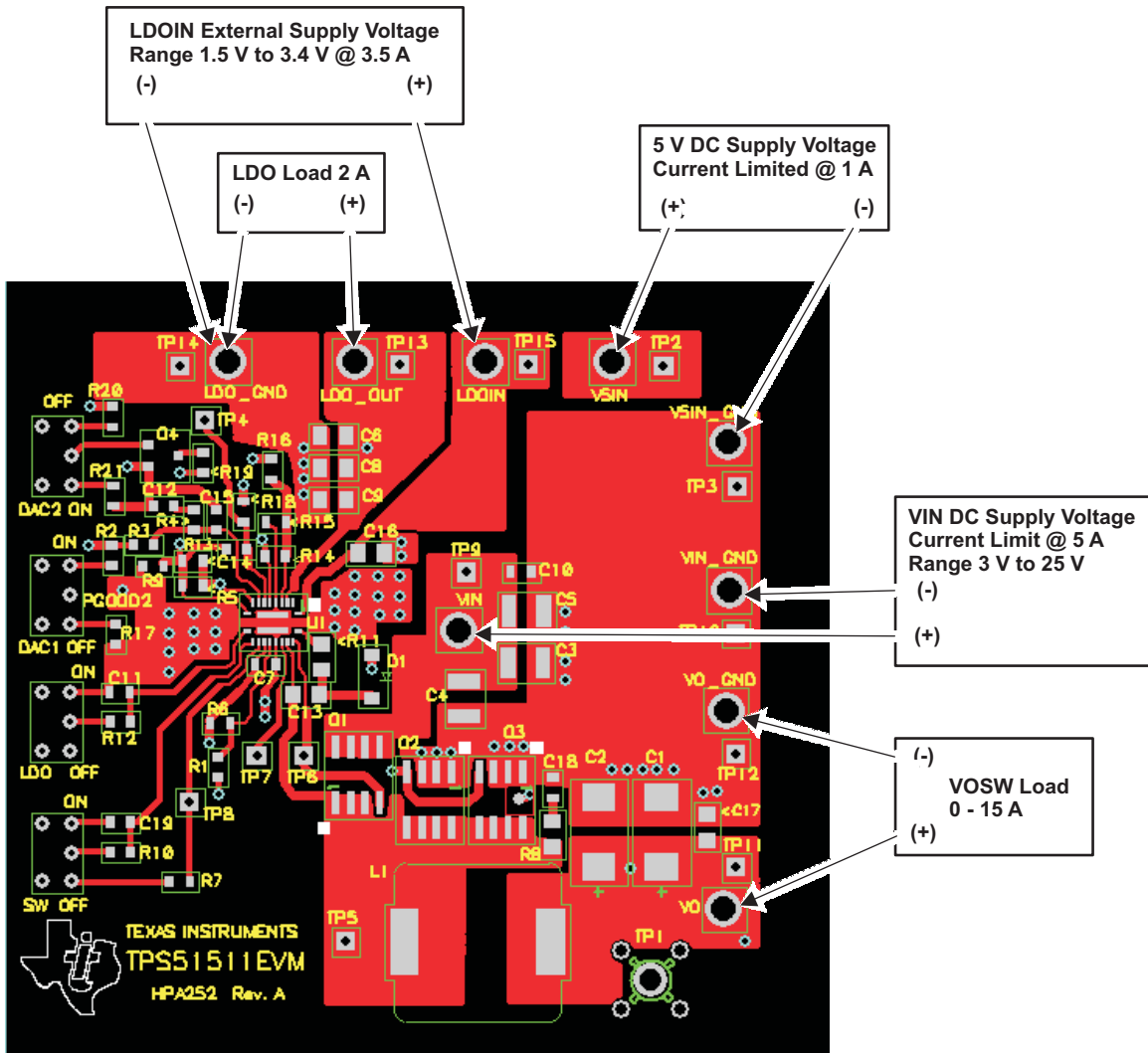


Figure 7. Test Setup

- **Standard Test Procedures**

- *Required Equipment:*

- 3 x Bench power supplies (V<sub>5in</sub> supply 4.75 V to 5.25 V at 1 A), (V<sub>in</sub> supply 3 V to 25 V at 5 A), (LDO\_IN 1.5 V to 3.4 V at 3.5 A).
    - 2 x Electronic loads one capable of sinking 19 A at 1.2 V and the other capable of sinking 4 A at 1.2 V.

- *Switch Settings:*

- DAC1 = ON, Switcher operates in the high-performance range (1.2-V output).
    - LDO (ON/OFF) = Enables or disables the LDO output (1.2 V at 2 A).
    - SW (ON/OFF) = Enables or disables the Switcher output. (1.2 V at 15 A) (Low-current skip mode current >2 A operates in PWM mode).

- *Bootstrap Diode:*

- Bootstrap diode D1 is not populated on the current evaluation module because the TPS51511 has a built-in bootstrap diode. In order to further improve the efficiency, D1 can be added.

## EVALUATION BOARD/KIT IMPORTANT NOTICE

Texas Instruments (TI) provides the enclosed product(s) under the following conditions:

This evaluation board/kit is intended for use for **ENGINEERING DEVELOPMENT, DEMONSTRATION, OR EVALUATION PURPOSES ONLY** and is not considered by TI to be a finished end-product fit for general consumer use. Persons handling the product(s) must have electronics training and observe good engineering practice standards. As such, the goods being provided are not intended to be complete in terms of required design-, marketing-, and/or manufacturing-related protective considerations, including product safety and environmental measures typically found in end products that incorporate such semiconductor components or circuit boards. This evaluation board/kit does not fall within the scope of the European Union directives regarding electromagnetic compatibility, restricted substances (RoHS), recycling (WEEE), FCC, CE or UL, and therefore may not meet the technical requirements of these directives or other related directives.

Should this evaluation board/kit not meet the specifications indicated in the User's Guide, the board/kit may be returned within 30 days from the date of delivery for a full refund. **THE FOREGOING WARRANTY IS THE EXCLUSIVE WARRANTY MADE BY SELLER TO BUYER AND IS IN LIEU OF ALL OTHER WARRANTIES, EXPRESSED, IMPLIED, OR STATUTORY, INCLUDING ANY WARRANTY OF MERCHANTABILITY OR FITNESS FOR ANY PARTICULAR PURPOSE.**

The user assumes all responsibility and liability for proper and safe handling of the goods. Further, the user indemnifies TI from all claims arising from the handling or use of the goods. Due to the open construction of the product, it is the user's responsibility to take any and all appropriate precautions with regard to electrostatic discharge.

**EXCEPT TO THE EXTENT OF THE INDEMNITY SET FORTH ABOVE, NEITHER PARTY SHALL BE LIABLE TO THE OTHER FOR ANY INDIRECT, SPECIAL, INCIDENTAL, OR CONSEQUENTIAL DAMAGES.**

TI currently deals with a variety of customers for products, and therefore our arrangement with the user **is not exclusive.**

TI assumes **no liability for applications assistance, customer product design, software performance, or infringement of patents or services described herein.**

Please read the User's Guide and, specifically, the Warnings and Restrictions notice in the User's Guide prior to handling the product. This notice contains important safety information about temperatures and voltages. For additional information on TI's environmental and/or safety programs, please contact the TI application engineer or visit [www.ti.com/esh](http://www.ti.com/esh).

No license is granted under any patent right or other intellectual property right of TI covering or relating to any machine, process, or combination in which such TI products or services might be or are used.

### FCC Warning

This evaluation board/kit is intended for use for **ENGINEERING DEVELOPMENT, DEMONSTRATION, OR EVALUATION PURPOSES ONLY** and is not considered by TI to be a finished end-product fit for general consumer use. It generates, uses, and can radiate radio frequency energy and has not been tested for compliance with the limits of computing devices pursuant to part 15 of FCC rules, which are designed to provide reasonable protection against radio frequency interference. Operation of this equipment in other environments may cause interference with radio communications, in which case the user at his own expense will be required to take whatever measures may be required to correct this interference.

### EVM WARNINGS AND RESTRICTIONS

It is important to operate this EVM within the input voltage range of 6 V to 21 V and the output voltage range of 0.75 V to 5.5 V.

Exceeding the specified input range may cause unexpected operation and/or irreversible damage to the EVM. If there are questions concerning the input range, please contact a TI field representative prior to connecting the input power.

Applying loads outside of the specified output range may result in unintended operation and/or possible permanent damage to the EVM. Please consult the EVM User's Guide prior to connecting any load to the EVM output. If there is uncertainty as to the load specification, please contact a TI field representative.

During normal operation, some circuit components may have case temperatures greater than 100°C. The EVM is designed to operate properly with certain components above 100°C as long as the input and output ranges are maintained. These components include but are not limited to linear regulators, switching transistors, pass transistors, and current sense resistors. These types of devices can be identified using the EVM schematic located in the EVM User's Guide. When placing measurement probes near these devices during operation, please be aware that these devices may be very warm to the touch.

Mailing Address: Texas Instruments, Post Office Box 655303, Dallas, Texas 75265  
Copyright © 2007, Texas Instruments Incorporated

## IMPORTANT NOTICE

Texas Instruments Incorporated and its subsidiaries (TI) reserve the right to make corrections, modifications, enhancements, improvements, and other changes to its products and services at any time and to discontinue any product or service without notice. Customers should obtain the latest relevant information before placing orders and should verify that such information is current and complete. All products are sold subject to TI's terms and conditions of sale supplied at the time of order acknowledgment.

TI warrants performance of its hardware products to the specifications applicable at the time of sale in accordance with TI's standard warranty. Testing and other quality control techniques are used to the extent TI deems necessary to support this warranty. Except where mandated by government requirements, testing of all parameters of each product is not necessarily performed.

TI assumes no liability for applications assistance or customer product design. Customers are responsible for their products and applications using TI components. To minimize the risks associated with customer products and applications, customers should provide adequate design and operating safeguards.

TI does not warrant or represent that any license, either express or implied, is granted under any TI patent right, copyright, mask work right, or other TI intellectual property right relating to any combination, machine, or process in which TI products or services are used. Information published by TI regarding third-party products or services does not constitute a license from TI to use such products or services or a warranty or endorsement thereof. Use of such information may require a license from a third party under the patents or other intellectual property of the third party, or a license from TI under the patents or other intellectual property of TI.

Reproduction of information in TI data books or data sheets is permissible only if reproduction is without alteration and is accompanied by all associated warranties, conditions, limitations, and notices. Reproduction of this information with alteration is an unfair and deceptive business practice. TI is not responsible or liable for such altered documentation.

Resale of TI products or services with statements different from or beyond the parameters stated by TI for that product or service voids all express and any implied warranties for the associated TI product or service and is an unfair and deceptive business practice. TI is not responsible or liable for any such statements.

TI products are not authorized for use in safety-critical applications (such as life support) where a failure of the TI product would reasonably be expected to cause severe personal injury or death, unless officers of the parties have executed an agreement specifically governing such use. Buyers represent that they have all necessary expertise in the safety and regulatory ramifications of their applications, and acknowledge and agree that they are solely responsible for all legal, regulatory and safety-related requirements concerning their products and any use of TI products in such safety-critical applications, notwithstanding any applications-related information or support that may be provided by TI. Further, Buyers must fully indemnify TI and its representatives against any damages arising out of the use of TI products in such safety-critical applications.

TI products are neither designed nor intended for use in military/aerospace applications or environments unless the TI products are specifically designated by TI as military-grade or "enhanced plastic." Only products designated by TI as military-grade meet military specifications. Buyers acknowledge and agree that any such use of TI products which TI has not designated as military-grade is solely at the Buyer's risk, and that they are solely responsible for compliance with all legal and regulatory requirements in connection with such use.

TI products are neither designed nor intended for use in automotive applications or environments unless the specific TI products are designated by TI as compliant with ISO/TS 16949 requirements. Buyers acknowledge and agree that, if they use any non-designated products in automotive applications, TI will not be responsible for any failure to meet such requirements.

Following are URLs where you can obtain information on other Texas Instruments products and application solutions:

<b>Products</b>		<b>Applications</b>	
Amplifiers	<a href="http://amplifier.ti.com">amplifier.ti.com</a>	Audio	<a href="http://www.ti.com/audio">www.ti.com/audio</a>
Data Converters	<a href="http://dataconverter.ti.com">dataconverter.ti.com</a>	Automotive	<a href="http://www.ti.com/automotive">www.ti.com/automotive</a>
DSP	<a href="http://dsp.ti.com">dsp.ti.com</a>	Broadband	<a href="http://www.ti.com/broadband">www.ti.com/broadband</a>
Interface	<a href="http://interface.ti.com">interface.ti.com</a>	Digital Control	<a href="http://www.ti.com/digitalcontrol">www.ti.com/digitalcontrol</a>
Logic	<a href="http://logic.ti.com">logic.ti.com</a>	Military	<a href="http://www.ti.com/military">www.ti.com/military</a>
Power Mgmt	<a href="http://power.ti.com">power.ti.com</a>	Optical Networking	<a href="http://www.ti.com/opticalnetwork">www.ti.com/opticalnetwork</a>
Microcontrollers	<a href="http://microcontroller.ti.com">microcontroller.ti.com</a>	Security	<a href="http://www.ti.com/security">www.ti.com/security</a>
RFID	<a href="http://www.ti-rfid.com">www.ti-rfid.com</a>	Telephony	<a href="http://www.ti.com/telephony">www.ti.com/telephony</a>
Low Power Wireless	<a href="http://www.ti.com/lpw">www.ti.com/lpw</a>	Video & Imaging	<a href="http://www.ti.com/video">www.ti.com/video</a>
		Wireless	<a href="http://www.ti.com/wireless">www.ti.com/wireless</a>

Mailing Address: Texas Instruments, Post Office Box 655303, Dallas, Texas 75265  
Copyright © 2007, Texas Instruments Incorporated