

High Performance Synchronous Buck EVM Using the TPS51123

Contents

1	Introduction	2
2	Performance Specification Summary	2
3	Schematic.....	3
4	Test Setup and Results	4
5	Configuration	6
6	Physical Layouts	7
7	List of Materials.....	11
8	References	12

List of Figures

1	TPS51123-EVM Schematic Diagram	3
2	Equipment Setup for TPS51123EVM board	4
3	5-V Startup Waveforms	5
4	3.3-V Startup Waveforms	5
5	5-V Load Transient Response	5
6	3.3-V Load Transient Response	5
7	Top Layer Routing	7
8	Bottom Layer Routing	8
9	Inner Layer 1	9
10	Inner Layer 2.....	10

List of Tables

1	Performance Specification Summary	2
2	Switching Frequency Selection	6
3	Operation Mode Selection	6
4	TPS51123 List of Materials	11

1 Introduction

The TPS51123 is a cost effective, dual-synchronous buck controller targeted for notebook system power supply solutions. It provides 5-V and 3.3-V LDOs and requires few external components. The TPS51123 supports high-efficiency, fast transient response and provides a combined power-good signal. Out-of-Audio™ mode light-load operation enables low acoustic noise at much higher efficiency than conventional forced PWM operation. Adaptive on-time D-CAP™ control provides convenient and efficient operation. The device operates with supply input voltages ranging from 5.5 V to 28 V and supports output voltages from 2 V to 5.5 V.

The TPS51123EVM evaluation module is a high-efficiency, dual synchronous buck converter providing 5 V at 8 A and 3.3 V at 8 A from a 8-V to 25-V input.

2 Performance Specification Summary

Table 1 gives the EVM performance specifications and qualifications.

Table 1. Performance Specification Summary

SPECIFICATION		TEST CONDITIONS	MIN	TYP	MAX	UNITS
V_{IN}	Input voltage range	Voltage applied to VBAT	8		25	V
CHANNEL1						
V_{OUT}	Output voltage			5		V
f	Operating frequency	$V_{TONSEL} = V_{VREF}$, $V_{VIN} = 12\text{ V}$, $I_{OUT} = 6\text{ A}$		245		kHz
I_{OUT}	Output current	$8\text{ V} \leq V_{VIN} \leq 25\text{ V}$	8			A
I_{OC}	Overcurrent limit	$V_{VIN} = 12\text{ V}$		10		
CHANNEL2						
V_{OUT}	Output voltage			3.3		V
f	Operating frequency	$V_{TONSEL} = V_{VREF}$, $V_{VIN} = 12\text{ V}$, $I_{OUT} = 6\text{ A}$		305		kHz
I_{OUT}	Output current	$8\text{ V} \leq V_{VIN} \leq 25\text{ V}$	8			A
I_{OC}	Overcurrent limit	$V_{VIN} = 12\text{ V}$		10		

3 Schematic

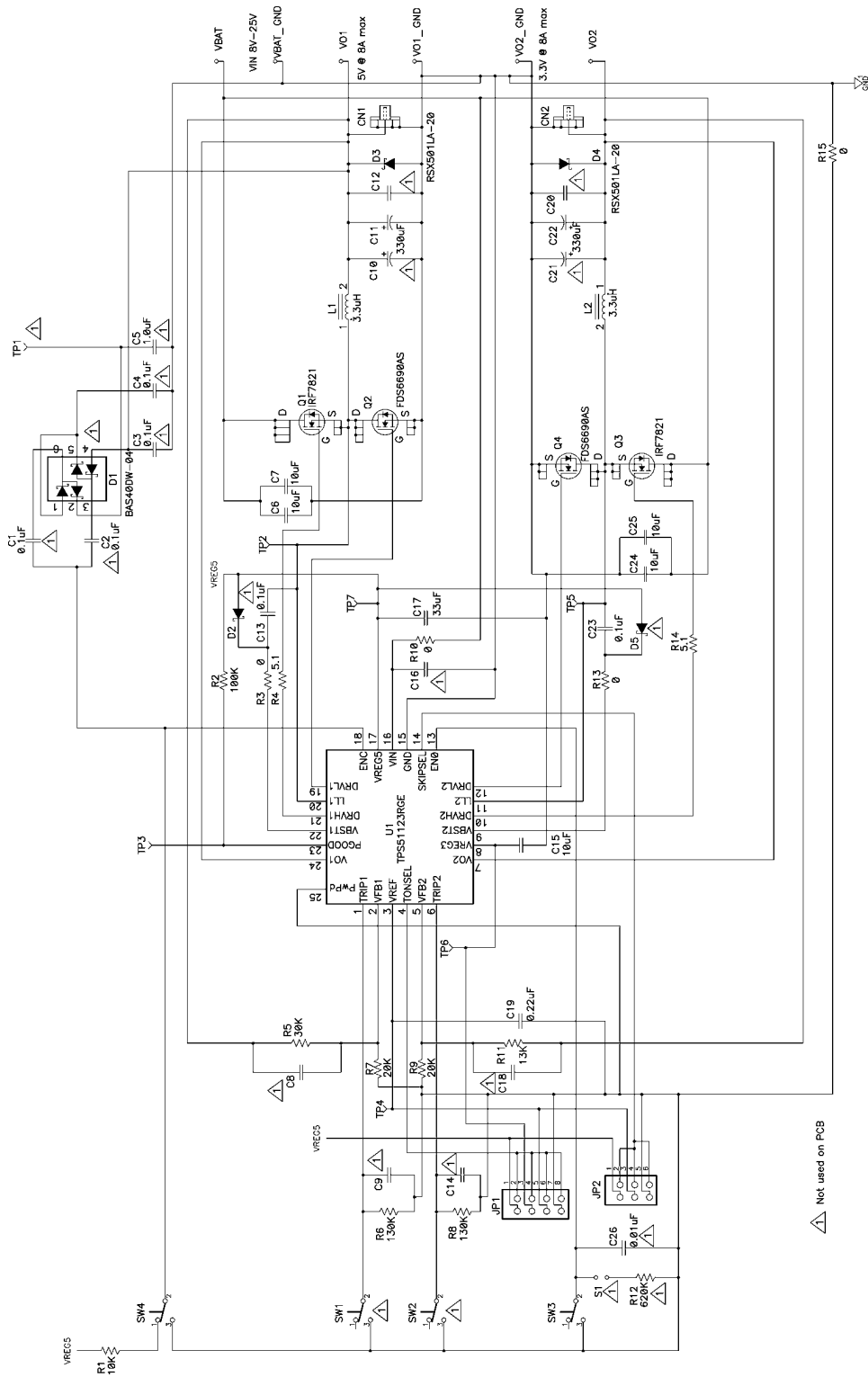


Figure 1. TPS51123-EVM Schematic Diagram

4 Test Setup and Results

4.1 Test Setup

Connect test equipment and TPS51123EVM board as shown in [Figure 2](#).

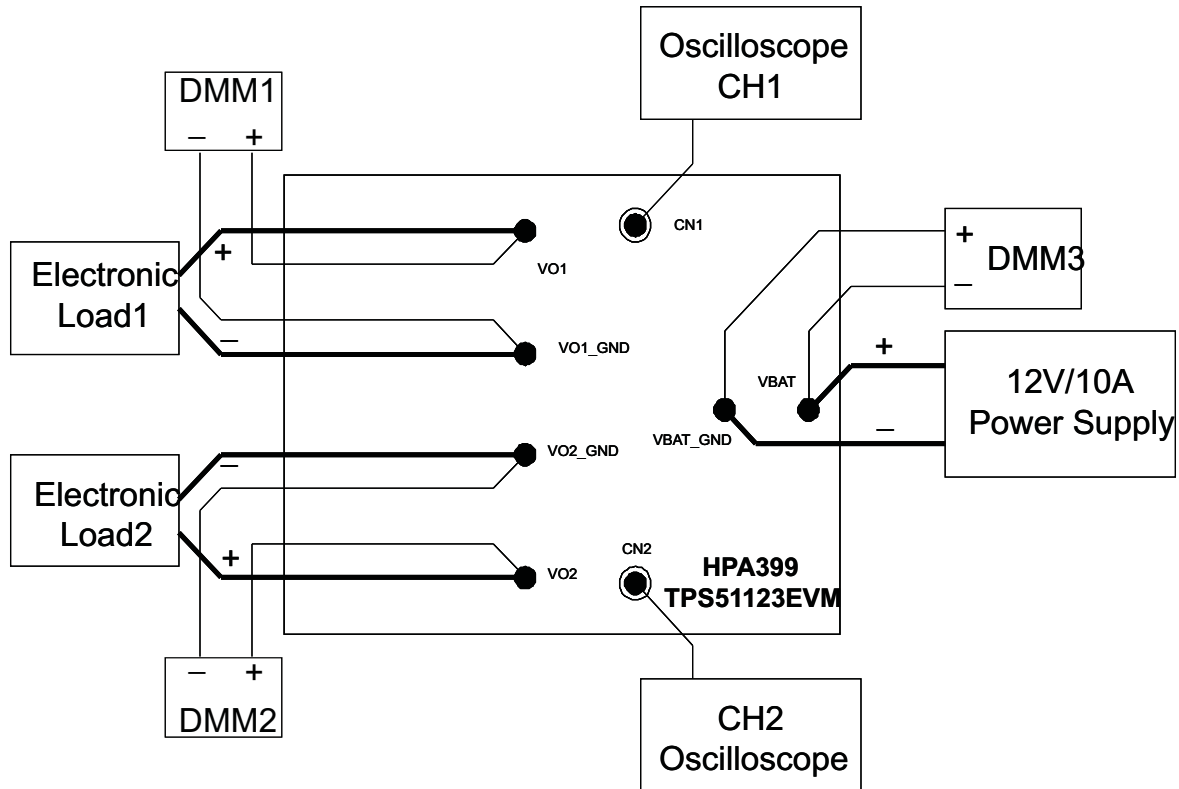


Figure 2. Equipment Setup for TPS51123EVM board

4.2 Test Procedure

1. Ensure the switches SW4 (ENC) and SW3 (EN0) are in "OFF" position.
2. Ensure the shunt jumper for JP1 is set 5-pin to 6-pin (Med1), and shunt jumper for JP2 is set 5-pin to 6-pin (Auto-skip).
3. Apply appropriate VBAT voltage to VBAT and VBAT_GND terminals.
4. Turn on SW3 (EN0), and both VREG5 (5V-LDO) and VREG3 (3.3V-LDO) start up.
5. When SW3 stays on, VREF (2V-REF) enables.
6. When SW3 stays on and turn on SW4 (ENC), CH1-output, and CH2-output start up.

4.3 Start-Up Performance

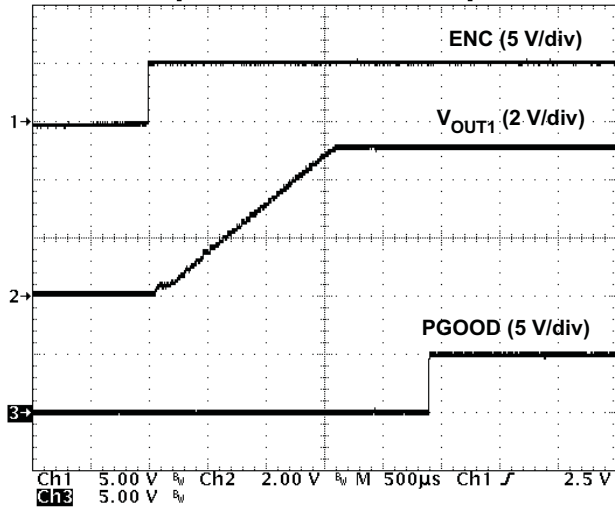


Figure 3. 5-V Startup Waveforms

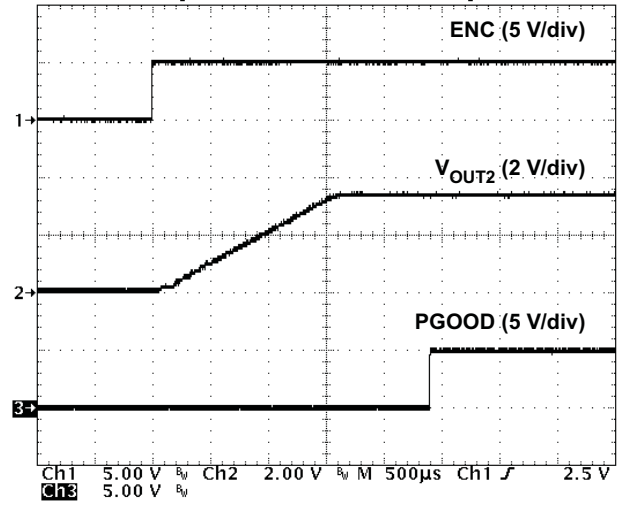


Figure 4. 3.3-V Startup Waveforms

4.4 Transient Performance

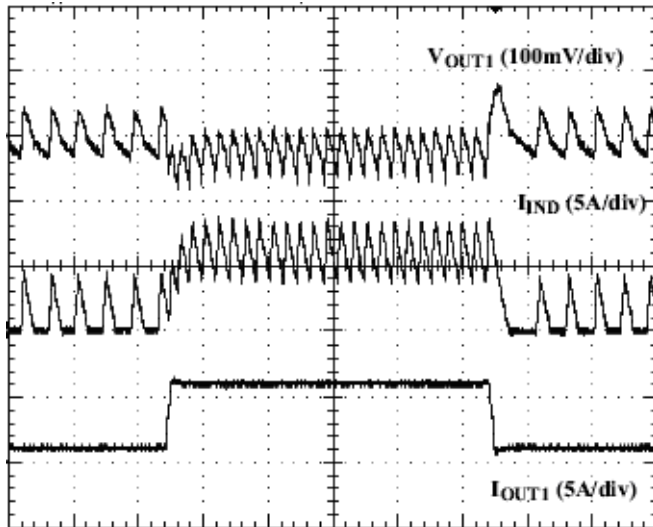


Figure 5. 5-V Load Transient Response

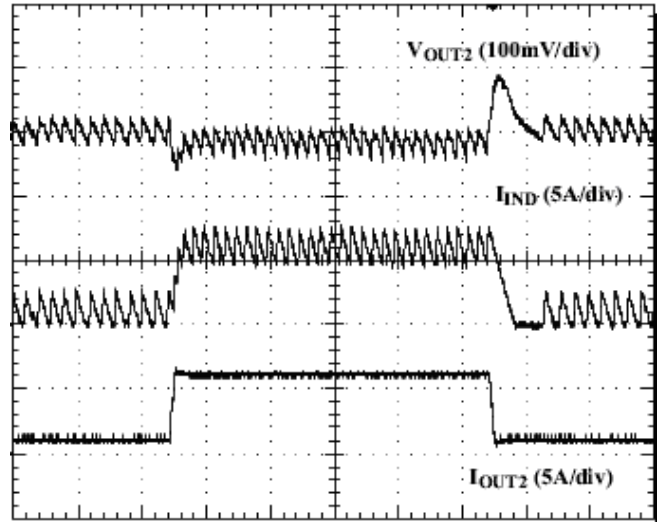


Figure 6. 3.3-V Load Transient Response

5 Configuration

This EVM can be set at a configuration of the user's choice. Please refer to the following specific configuration setting sections

5.1 Switching Frequency Selection

The switching frequency can be set by the TONSEL pin using JP1 on the EVM. The default setting is 245 kHz for CH1 and 305 kHz for CH2.

Table 2. Switching Frequency Selection

TONSEL CONNECTION	SWITCHING FREQUENCY (kHz)	
	CH1	CH2
GND (SLOW)	200	250
VREF (MED1)	245	305
VREG3 (MED2)	300	375
VREG5 (FAST)	365	460

5.2 Operation Mode Selection

Operation mode can be set by the SKIPSEL pin using JP2 on the EVM. The default setting on the EVM is auto-skip mode.

Table 3. Operation Mode Selection

SKIPSEL CONNECTION	OPERATION MODE
GND	Auto skip
VREF	PWM only
VREG5	Out-of-Audio™

6 Physical Layouts

This section provides the board layout and assembly drawings for the EVM, that include the top layer (Figure 7), the bottom layer (Figure 8), and inner layer views (Figure 9 and Figure 10) of the EVM.

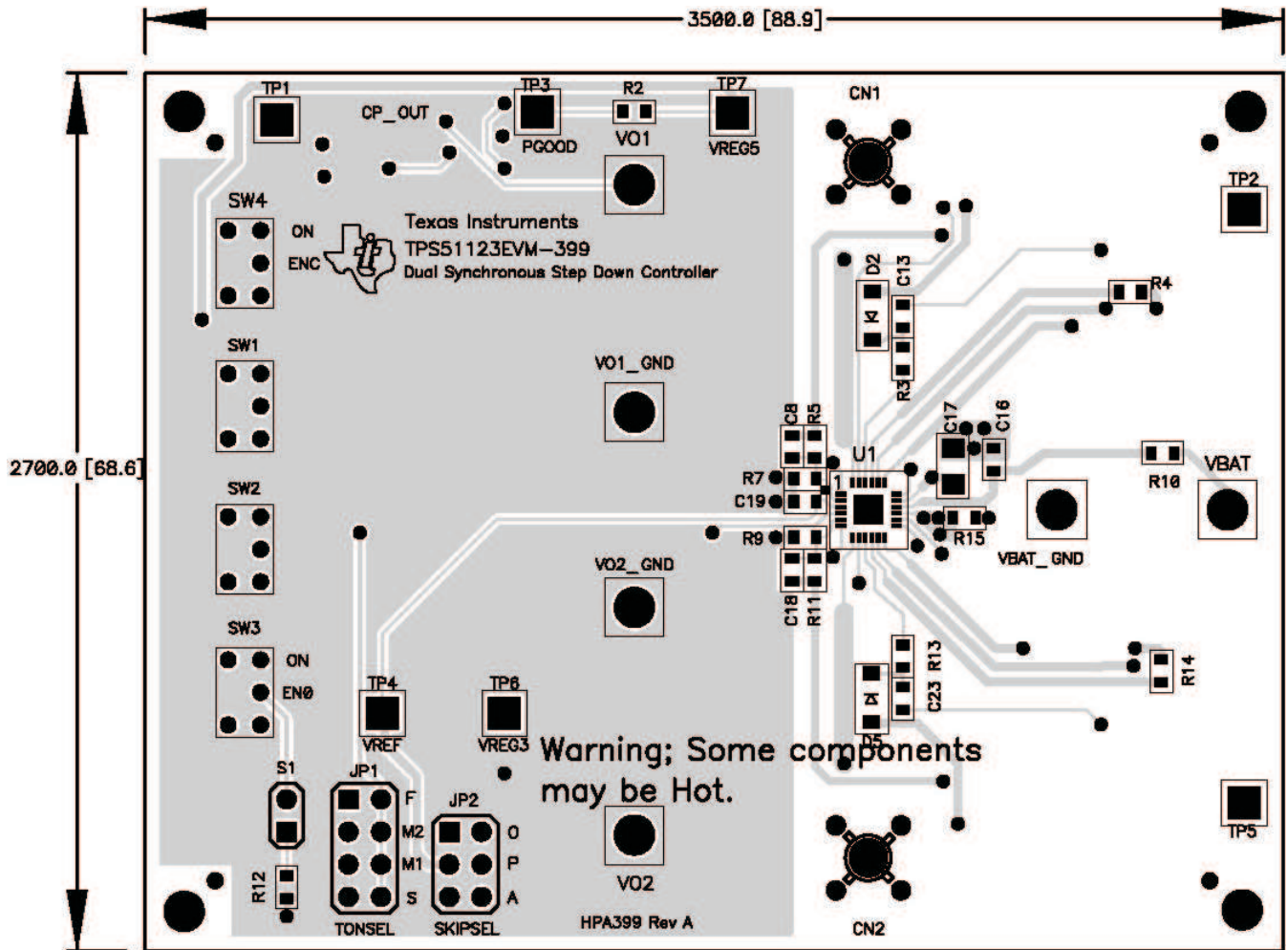


Figure 7. Top Layer Routing

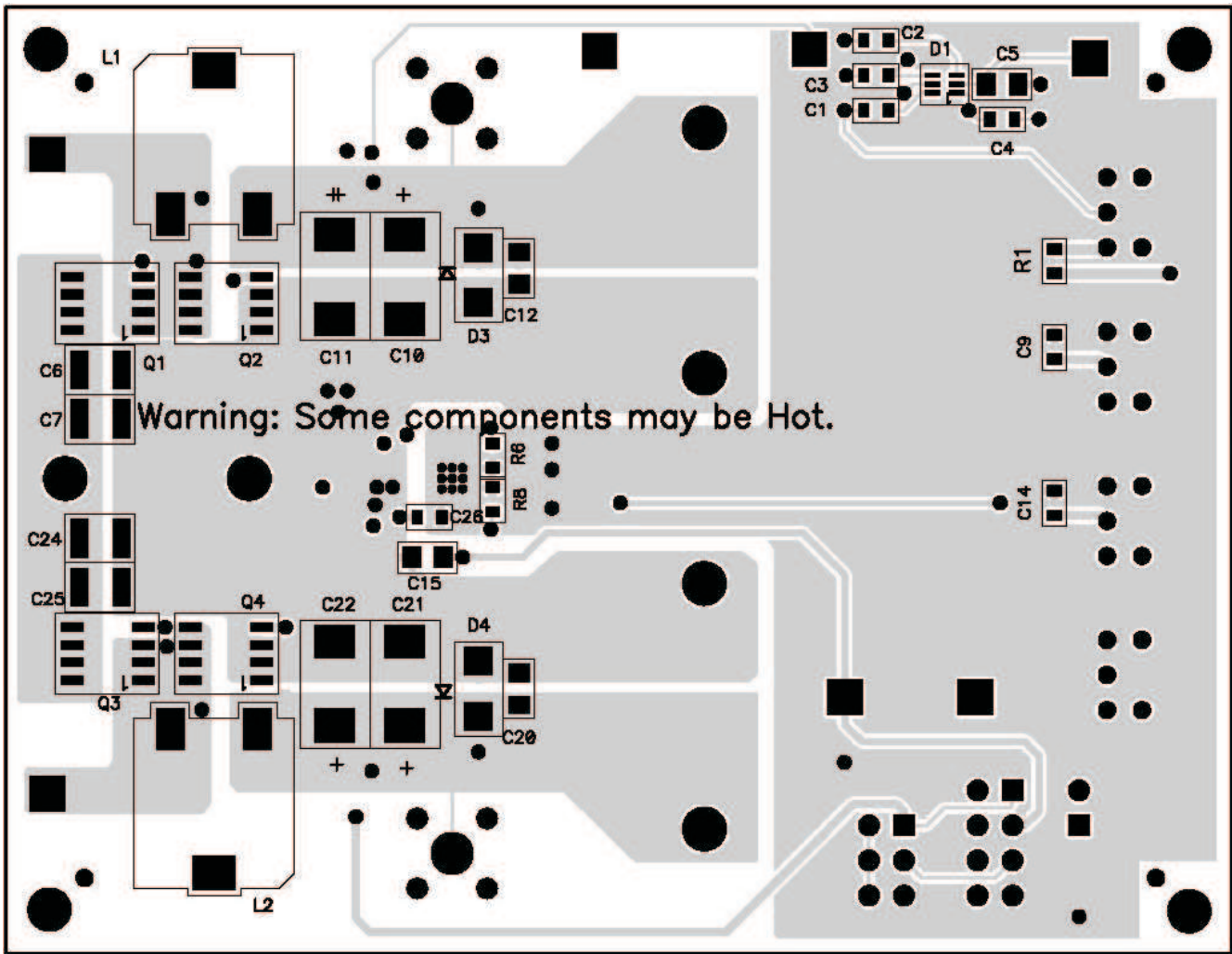


Figure 8. Bottom Layer Routing

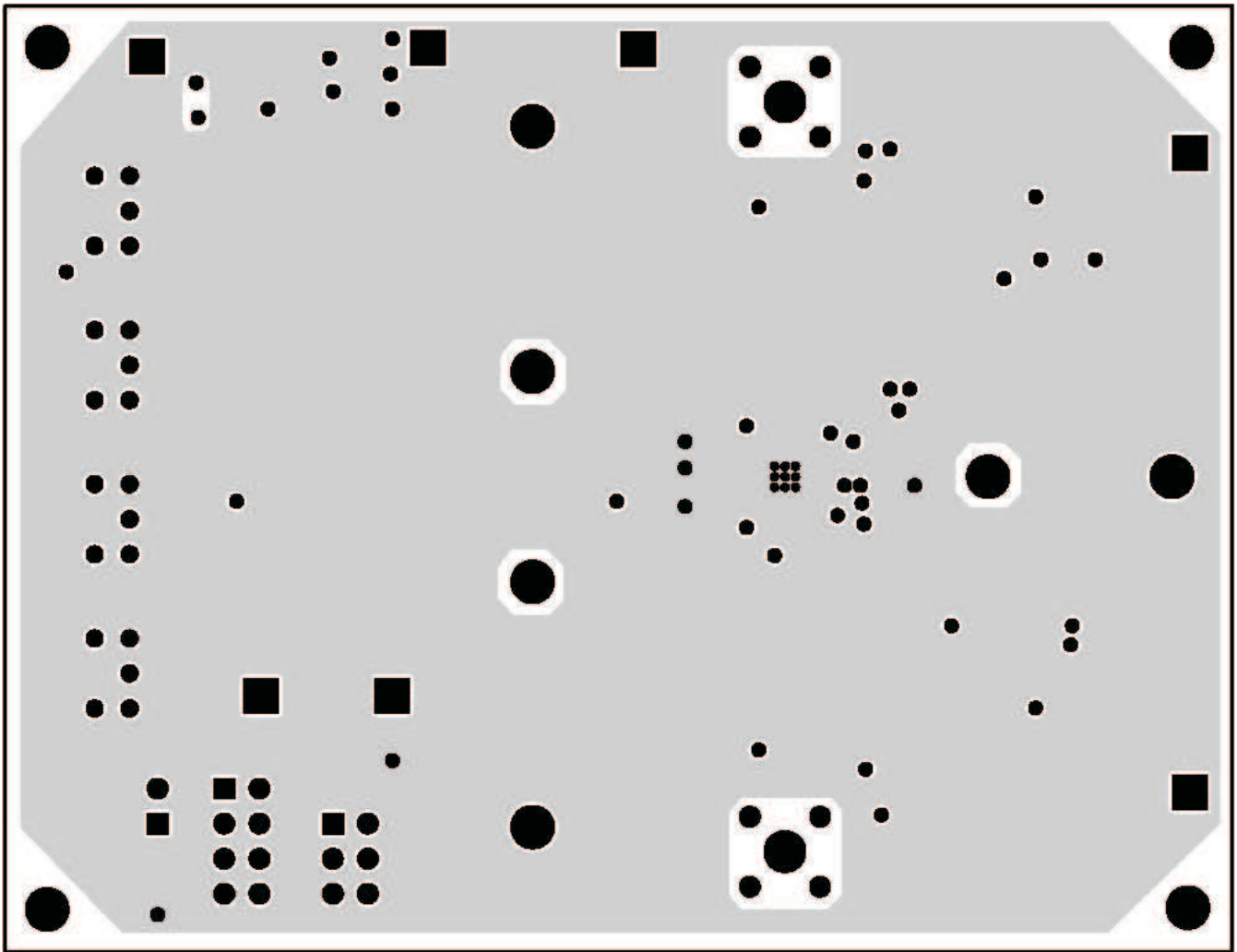


Figure 9. Inner Layer 1

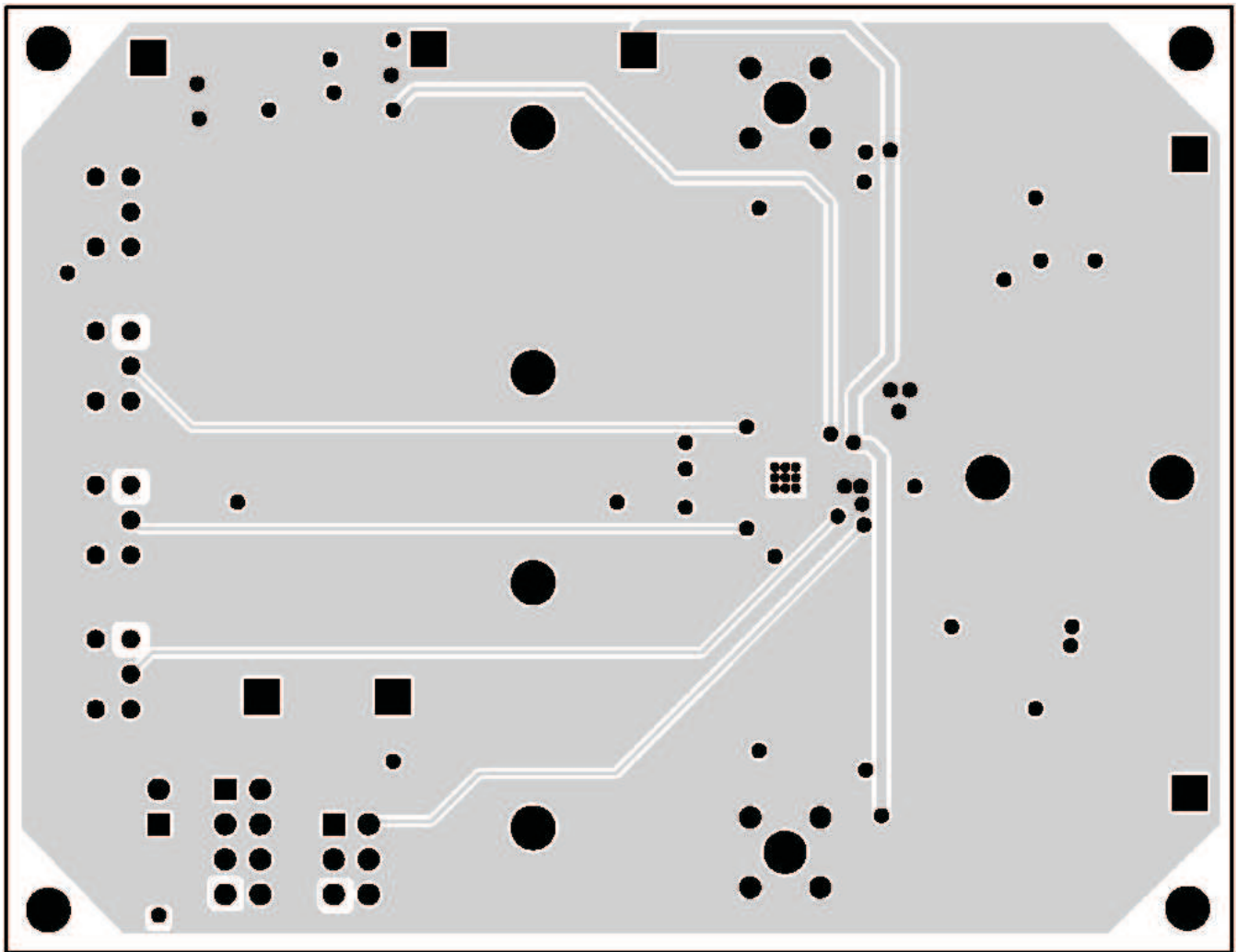


Figure 10. Inner Layer 2

7 List of Materials

List of materials for the TPS51123-EVM.

Table 4. TPS51123 List of Materials

RERERENCE DESIGNATOR	QTY	DESCRIPTION	SIZE	MFR	PART NUMBER
C13, C23	2	Capacitor, Ceramic, 0.1 μ F, 50 V, X5R, 10%	0603	muRata	GRM188B31H104K
C10, C21	0	Capacitor	7.3 \times 4.3 mm	Any	Any
C11, C22	2	Capacitor, POS, 330 μ F, 6.3 V, 25 m Ω , 20%	7.3 \times 4.3 mm	SANYO	6TPE330ML
C12, C20	0	Capacitor	0805	Any	Any
C15	1	Capacitor, Ceramic, 10 μ F, 6.3 V, X5R, 10%	0805	TDK	C2012X5R0J106K
C17	1	Capacitor, Ceramic, 33 μ F, 6.3 V, X5R, 20%	1206	TDK	C3216JB0J336M
C19	1	Capacitor, Ceramic, 220 nF, 16 V, X5R, 10%	0603	muRata	GRM188B31C224K
C26	0	Capacitor	0603	Any	Any
C5	0	Capacitor	0805	Any	Any
C6, C7, C24, C25	4	Capacitor, Ceramic, 10 μ F, 25 V, BJ, M	1210	Taiyo Yuden	TMK325BJ106MM
C1, C2, C3, C4, C8, C9, C14, C16, C18	0	Capacitor	0603	Any	Any
CN1, CN2	2	Adaptor, 3.5-mm probe clip (or 131-5031-00)	0.2	Tektronix	131-4244-00
D1	0	Diode	SOT363	Any	Any
D2, D5	0	Diode, Schottky, 0.5 A, 30 V	SOD-123	Any	Any
D3, D4	2	Diode, Schottky, 3 A, 20 V	SMA	Rohm	RSX501LA-20 OR RSX510L-20
JP1	1	Header, 2 \times 4-pin, 100 mil spacing (36-pin strip)	0.20 \times 0.40 inch	Sullins	PTC36DAAN
JP2	1	Header, 2 \times 3-pin, 10 mil spacing (36-pin strip)	0.20 \times 0.30 inch	Sullins	PTC36DAAN
L1, L2	2	Inductor, high-current, 3.3 μ H, 14 A, 7.3 m Ω , SMT	0.425 \times 0.45 inch	Toko	FDA1055-3R3M
Q1, Q3	2	MOSFET, N-channel, 30 V, 11 A, 9.1 m Ω	SO8	IR	IRF7821
Q2, Q4	2	MOSFET, N-channel, 30 V, 11 A, 12.5 m Ω	SO8	Fairchild	FDS6690AS
R3, R10, R13, R15	4	Resistor, Chip, 0 Ω , 1/16 W, 1%	0603	Std	Std
R12	1	Resistor, Chip, 620 k Ω , 1/16W, 1%	Any	Std	Std
R11	1	Resistor, Chip, 13 k Ω , 1/16W, 1%	0603	Any	Any
R5	1	Resistor, Chip, 30 k Ω , 1/16W, 1%	0603	Std	Std
R2	1	Resistor, Chip, 100 k Ω , 1/16W, 1%	0603	Std	Std
R6, R8	2	Resistor, Chip, 130 k Ω , 1/16W, 1%	0603	Std	Std
R7, R9	2	Resistor, Chip, 20 k Ω , 1/16W, 1%	0603	Std	Std
R1	1	Resistor, Chip, 10 k Ω , 1/16W, 1%	0603	Std	Std
R4, R14	2	Resistor, Chip, 5.1 Ω , 1/16W, 1%	0603	Std	Std
S1	1	Header, 2-pin, 100 mil spacing, (36-pin strip)	0.20 in. \times 0.20 in.	Sullins	PTC36SAAN
SW1, SW2	0	Switch	0.28 in. \times 0.18 on.	Any	Any
SW3, SW4	2	Switch, ON-ON mini toggle	0.28 in. \times 0.18 on.	Nikkai	G-12AP
TP1	0	Test Point	0.125 in. \times 0.125 in.	Any	Any
TP2, TP3, TP4, TP5, TP6, TP7	6	Test point, yellow, through-hole	0.125 in. \times 0.125 in.	Keystone	5014
U1	1	Dual Synchronous Step-Down Controller With OOA Operation and 100-mA LDO	QFN-24	TI	TPS51123RGE

Table 4. TPS51123 List of Materials (continued)

REFERENCE DESIGNATOR	QTY	DESCRIPTION	SIZE	MFR	PART NUMBER
VBAT_GND, VBAT, VO1, VO2, VO1_GND, VO2_GND	6	Pin, wiring terminal	0.12(D) × 0.4 inch	Mill Max	3138-2-00-15-00-00-080
-	1	PCB, 3.5	3.5 in. × 2.7 in. × 0.062 in.	Any	TPS51123-EVM
	2	Shunt, 2POs, gold	0.100 × 0.200 inch	Molex	15-29-1025
	4	Standoff M/F hex 4-40 nylon	0.625 inch	Keystone	4803
	4	Nut hex 4-40 nylon	0.25 inch	Building Fasteners	NY HN 440

8 References

TPS51123 Datasheet, Dual-Synchronous Buck Controller ([SLUS890](#))

EVALUATION BOARD/KIT IMPORTANT NOTICE

Texas Instruments (TI) provides the enclosed product(s) under the following conditions:

This evaluation board/kit is intended for use for **ENGINEERING DEVELOPMENT, DEMONSTRATION, OR EVALUATION PURPOSES ONLY** and is not considered by TI to be a finished end-product fit for general consumer use. Persons handling the product(s) must have electronics training and observe good engineering practice standards. As such, the goods being provided are not intended to be complete in terms of required design-, marketing-, and/or manufacturing-related protective considerations, including product safety and environmental measures typically found in end products that incorporate such semiconductor components or circuit boards. This evaluation board/kit does not fall within the scope of the European Union directives regarding electromagnetic compatibility, restricted substances (RoHS), recycling (WEEE), FCC, CE or UL, and therefore may not meet the technical requirements of these directives or other related directives.

Should this evaluation board/kit not meet the specifications indicated in the User's Guide, the board/kit may be returned within 30 days from the date of delivery for a full refund. **THE FOREGOING WARRANTY IS THE EXCLUSIVE WARRANTY MADE BY SELLER TO BUYER AND IS IN LIEU OF ALL OTHER WARRANTIES, EXPRESSED, IMPLIED, OR STATUTORY, INCLUDING ANY WARRANTY OF MERCHANTABILITY OR FITNESS FOR ANY PARTICULAR PURPOSE.**

The user assumes all responsibility and liability for proper and safe handling of the goods. Further, the user indemnifies TI from all claims arising from the handling or use of the goods. Due to the open construction of the product, it is the user's responsibility to take any and all appropriate precautions with regard to electrostatic discharge.

EXCEPT TO THE EXTENT OF THE INDEMNITY SET FORTH ABOVE, NEITHER PARTY SHALL BE LIABLE TO THE OTHER FOR ANY INDIRECT, SPECIAL, INCIDENTAL, OR CONSEQUENTIAL DAMAGES.

TI currently deals with a variety of customers for products, and therefore our arrangement with the user **is not exclusive.**

TI assumes **no liability for applications assistance, customer product design, software performance, or infringement of patents or services described herein.**

Please read the User's Guide and, specifically, the Warnings and Restrictions notice in the User's Guide prior to handling the product. This notice contains important safety information about temperatures and voltages. For additional information on TI's environmental and/or safety programs, please contact the TI application engineer or visit www.ti.com/esh.

No license is granted under any patent right or other intellectual property right of TI covering or relating to any machine, process, or combination in which such TI products or services might be or are used.

FCC Warning

This evaluation board/kit is intended for use for **ENGINEERING DEVELOPMENT, DEMONSTRATION, OR EVALUATION PURPOSES ONLY** and is not considered by TI to be a finished end-product fit for general consumer use. It generates, uses, and can radiate radio frequency energy and has not been tested for compliance with the limits of computing devices pursuant to part 15 of FCC rules, which are designed to provide reasonable protection against radio frequency interference. Operation of this equipment in other environments may cause interference with radio communications, in which case the user at his own expense will be required to take whatever measures may be required to correct this interference.

EVM WARNINGS AND RESTRICTIONS

It is important to operate this EVM within the input voltage range of 4.4 V to 16 V and the output voltage range of 2.3 V to 4.4 V.

Exceeding the specified input range may cause unexpected operation and/or irreversible damage to the EVM. If there are questions concerning the input range, please contact a TI field representative prior to connecting the input power.

Applying loads outside of the specified output range may result in unintended operation and/or possible permanent damage to the EVM. Please consult the EVM User's Guide prior to connecting any load to the EVM output. If there is uncertainty as to the load specification, please contact a TI field representative.

During normal operation, some circuit components may have case temperatures greater than 75°C. The EVM is designed to operate properly with certain components above 100°C as long as the input and output ranges are maintained. These components include but are not limited to linear regulators, switching transistors, pass transistors, and current sense resistors. These types of devices can be identified using the EVM schematic located in the EVM User's Guide. When placing measurement probes near these devices during operation, please be aware that these devices may be very warm to the touch.

Mailing Address: Texas Instruments, Post Office Box 655303, Dallas, Texas 75265
Copyright 2008, Texas Instruments Incorporated

IMPORTANT NOTICE

Texas Instruments Incorporated and its subsidiaries (TI) reserve the right to make corrections, modifications, enhancements, improvements, and other changes to its products and services at any time and to discontinue any product or service without notice. Customers should obtain the latest relevant information before placing orders and should verify that such information is current and complete. All products are sold subject to TI's terms and conditions of sale supplied at the time of order acknowledgment.

TI warrants performance of its hardware products to the specifications applicable at the time of sale in accordance with TI's standard warranty. Testing and other quality control techniques are used to the extent TI deems necessary to support this warranty. Except where mandated by government requirements, testing of all parameters of each product is not necessarily performed.

TI assumes no liability for applications assistance or customer product design. Customers are responsible for their products and applications using TI components. To minimize the risks associated with customer products and applications, customers should provide adequate design and operating safeguards.

TI does not warrant or represent that any license, either express or implied, is granted under any TI patent right, copyright, mask work right, or other TI intellectual property right relating to any combination, machine, or process in which TI products or services are used. Information published by TI regarding third-party products or services does not constitute a license from TI to use such products or services or a warranty or endorsement thereof. Use of such information may require a license from a third party under the patents or other intellectual property of the third party, or a license from TI under the patents or other intellectual property of TI.

Reproduction of TI information in TI data books or data sheets is permissible only if reproduction is without alteration and is accompanied by all associated warranties, conditions, limitations, and notices. Reproduction of this information with alteration is an unfair and deceptive business practice. TI is not responsible or liable for such altered documentation. Information of third parties may be subject to additional restrictions.

Resale of TI products or services with statements different from or beyond the parameters stated by TI for that product or service voids all express and any implied warranties for the associated TI product or service and is an unfair and deceptive business practice. TI is not responsible or liable for any such statements.

TI products are not authorized for use in safety-critical applications (such as life support) where a failure of the TI product would reasonably be expected to cause severe personal injury or death, unless officers of the parties have executed an agreement specifically governing such use. Buyers represent that they have all necessary expertise in the safety and regulatory ramifications of their applications, and acknowledge and agree that they are solely responsible for all legal, regulatory and safety-related requirements concerning their products and any use of TI products in such safety-critical applications, notwithstanding any applications-related information or support that may be provided by TI. Further, Buyers must fully indemnify TI and its representatives against any damages arising out of the use of TI products in such safety-critical applications.

TI products are neither designed nor intended for use in military/aerospace applications or environments unless the TI products are specifically designated by TI as military-grade or "enhanced plastic." Only products designated by TI as military-grade meet military specifications. Buyers acknowledge and agree that any such use of TI products which TI has not designated as military-grade is solely at the Buyer's risk, and that they are solely responsible for compliance with all legal and regulatory requirements in connection with such use.

TI products are neither designed nor intended for use in automotive applications or environments unless the specific TI products are designated by TI as compliant with ISO/TS 16949 requirements. Buyers acknowledge and agree that, if they use any non-designated products in automotive applications, TI will not be responsible for any failure to meet such requirements.

Following are URLs where you can obtain information on other Texas Instruments products and application solutions:

Products

Amplifiers	amplifier.ti.com
Data Converters	dataconverter.ti.com
DLP® Products	www.dlp.com
DSP	dsp.ti.com
Clocks and Timers	www.ti.com/clocks
Interface	interface.ti.com
Logic	logic.ti.com
Power Mgmt	power.ti.com
Microcontrollers	microcontroller.ti.com
RFID	www.ti-rfid.com
RF/IF and ZigBee® Solutions	www.ti.com/lprf

Applications

Audio	www.ti.com/audio
Automotive	www.ti.com/automotive
Broadband	www.ti.com/broadband
Digital Control	www.ti.com/digitalcontrol
Medical	www.ti.com/medical
Military	www.ti.com/military
Optical Networking	www.ti.com/opticalnetwork
Security	www.ti.com/security
Telephony	www.ti.com/telephony
Video & Imaging	www.ti.com/video
Wireless	www.ti.com/wireless

Mailing Address: Texas Instruments, Post Office Box 655303, Dallas, Texas 75265
Copyright © 2009, Texas Instruments Incorporated