

TAS5602EVM2 Audio Power Amplifier Evaluation Module

Contents

1	Introduction	1
2	Operation	2
3	Reference	5

List of Figures

1	Suggested Process Flow for TAS5602EVM2	2
2	TAS3308EVM/ TAS5602EVM2 External Connections.....	3
3	TAS5602EVM2 Schematic	5
4	TAS5602EVM2 – Top Side Layout.....	6
5	TAS5602EVM2 – Bottom Side Layout	6

List of Tables

1	Bill of Materials for TAS5602EVM2 – BDBTL.....	7
---	--	---

1 Introduction

1.1 Description

The TAS5602EVM2 evaluation module consists of a single class-D stereo audio power amplifier complete with a small number of external components mounted on a circuit board that can be used to directly drive speakers using a TAS3308 EVM as the input. The input connector for the TAS5602EVM2 is configured to connect directly to the TAS3308 EVM PWM connector. The TAS5602EVM2 can be configured to drive 2 stereo BTL channels up to 20W/ch or 4 SE (single-ended) channels up to 10/ch. It is also possible to configure the EVM to drive speakers in a 2.1 configuration with 2 channels of SE stereo and one channel of BTL subwoofer. The user can also connect to the TAS5602EVM2 input with a ribbon cable from a target system if desired.

This document assumes that the user has obtained a TAS3308 EVM and has set up the PurePath Studio™ software on a test computer with USB interface. The Quick Setup Guide in the TAS3308 EVM User's Guide (TI document [SLEU093](#)) describes a method to get the TAS3308 EVM up and running efficiently.

The TAS3308 EVM outputs 6 PWM channels plus a VALID/SYNC signal. The six PWM channels are grouped into three stereo channels named PWM1 L and R, PWM2 L and R, and PWM3 L and R. The TAS5602EVM2 is configured to connect to PWM3, which consists of 4 output lines

1.2 TAS5602EVM2 Specifications

		VALUE	UNIT
V_{CC}	Supply voltage range	10 to 26	V
I_{CC}	Supply current	4	A rms
P_O	Continuous output power per channel: 8 Ω BTL, $V_{CC} = 18$ V, THD+N = 10%	20	W
R_L	Minimum load impedance,	4	Ω

PurePath Studio is a trademark of Texas Instruments.

2 Operation

2.1 Quick Start Guide for use with TAS3308 Digital Audio Signal Processor

Follow these steps to use the TAS5602EVM2 along with the TAS3308 EVM. Power and speaker connections to the EVM module can be made by inserting stripped wire or using banana plugs for the power supply and output connections. The inputs can be connected directly to the TAS3308 EVM via the 2×20 pin header. Set up the TAS3308 according to the instructions given in the TAS3308EVM User's Guide ([SLEU093](#)). Download the TAS5602 configuration file from the TAS5602 product folder. This can be used to optimize the TAS3308 set-up for the TAS5602 power stage.

Some additional adjustments to the Pure Path Studio™ setup for TAS3308 may be necessary to run the TAS5602EVM2.

1. The input selection is performed by selecting the StereoMux and changing the Mux Select Property to StereoCh1 or StereoCh2 depending on the type of signal being used. Select StereoCh1 (TAS3308ADCIn-1) if it is Analog input; select StereoCh2 (TAS3308SAPIn-1) if it is SPDIF format digital input.
2. Build the process flow above and select Build/Generate Code
3. Select Build/Download, and then Run.
4. Press the Mute button on the TAS3308 EVM to turn it to the OFF state. The MUTE indicator LED should turn off. This is necessary since the TAS3308 EVM transitions to the run mode with the MUTE in the ON state.

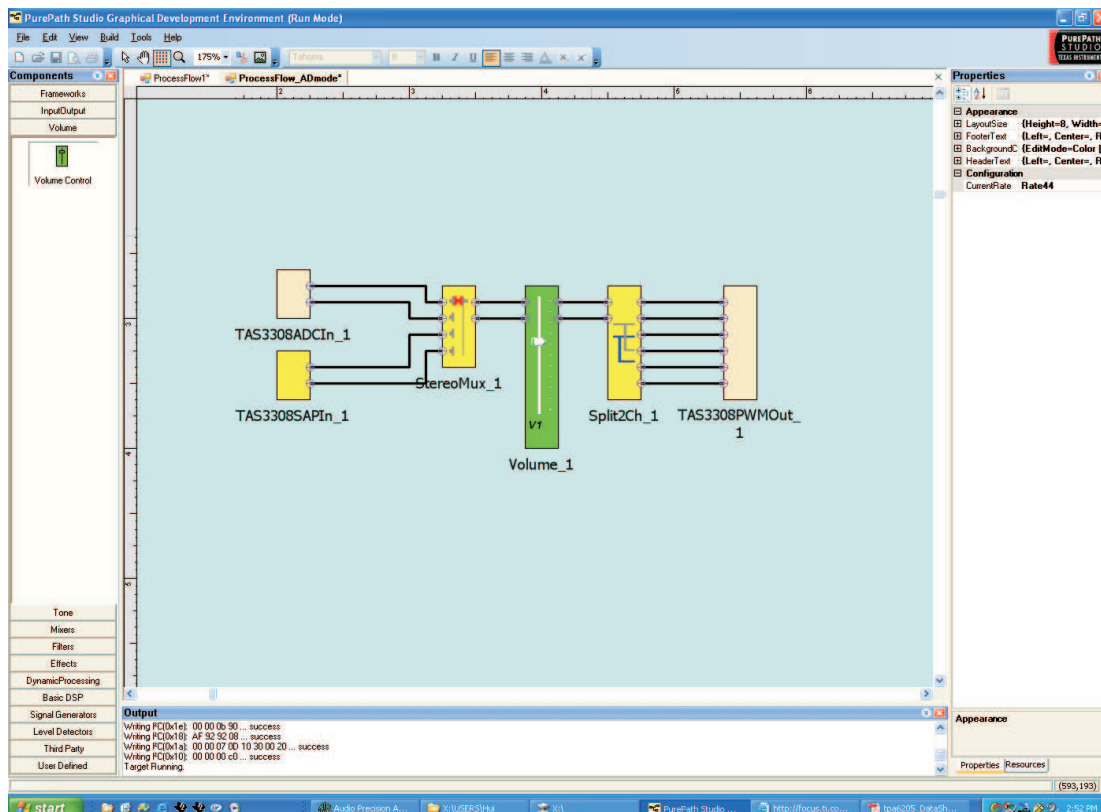


Figure 1. Suggested Process Flow for TAS5602EVM2

2.2 Connect the TAS3308 EVM to TAS5602EVM2

Place the TAS3308 EVM and TAS5602EVM2 at the same height and let the 40 pin connector on each board face each other. Push them together carefully until they make a solid connection

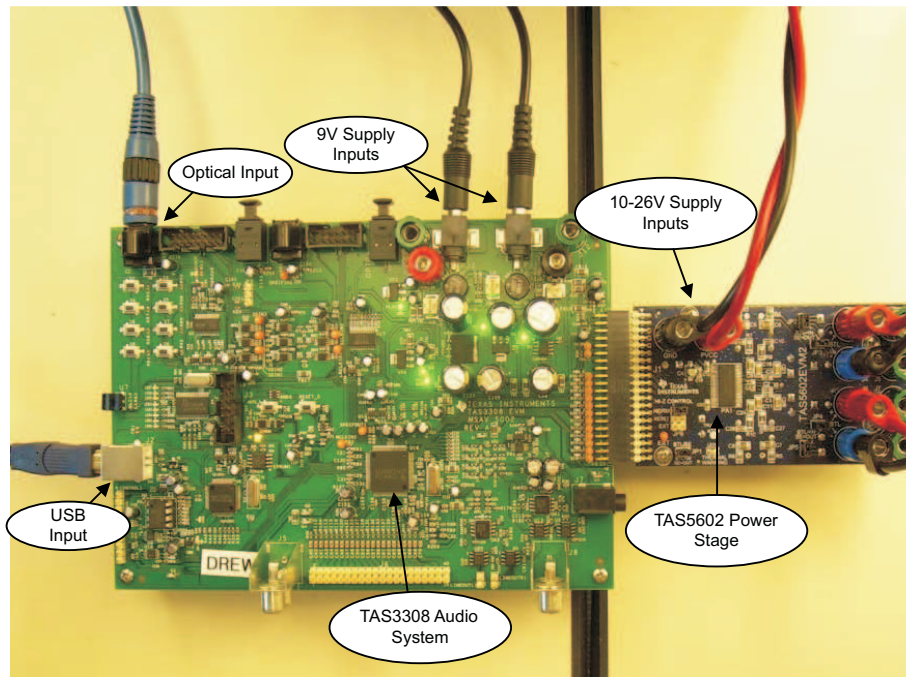


Figure 2. TAS3308EVM/ TAS5602EVM2 External Connections

2.3 Power Supply

1. Three power supplies are required: two 9V, 1.7A power supplies for the TAS3308 EVM and one 10V - 26V, 4A supply for the TAS5602EVM2.
2. Ensure that all external power sources are set to OFF.
3. Connect the two 9V supplies to the TAS33088 EVM. Connect the power supply adjusted from 10V–26V to the module TAS5602 PVCC and GND banana jacks taking care to observe marked polarity.

2.4 Evaluation Module Preparations

Speaker Connections (BTL Configuration)

1. Connect a speaker across OUTA (**J2**) and OUTB (**J4**). Connect another speaker across OUTC (**J6**) and OUTD (**J8**)
2. Install Jumpers 1-5.

Speaker Connections (SE Configuration)

1. Connect a speaker across the following pairs of jacks: OUTA (**J2**) and GND (**J3**), OUTB (**J4**) and GND (**J5**), OUTC (**J6**) and GND (**J7**), and OUTD (**J8**) and GND (**J9**).
2. Remove Jumpers 1-5.

Control Inputs

1. **HIZ**: This terminal is active LOW. This terminal can be used to (< 1ms) disable the output switching in the event of a power failure. If the HIZ is tied to **RESET**, the volume ramps up slowly at start-up, but the output switching is stopped at power down. Place JP6 in the NORM position to bypass the function. This position ties HIZ to the 3.3 V supply. Place JP6 in the RESET position to tie HIZ to **RESET**. Place JP6 in the EXT position if manual test is desired. When JP6 is in the EXT position, the HIZ pin is accessible via the test point "EXT" and the HIZ function can be exercised by grounding this test point to the board ground. The PGND at the power supply ground can be used for this test.
2. **RESET**: This terminal is active LOW. This terminal can be used for pop-free start/stop.
3. **FAULT**: This terminal is active LOW. This terminal is used to indicate short circuit faults. If this pin is low, a short circuit at the output has been detected. **FAULT** will be reset if the **RESET** pin is pulled low, or the PVCC supplies are turned off. Thermal fault is not reported on this pin.
4. **THERM_WARN**: This terminal is a TTL compatible push-pull output. Thermal warning flag goes low if the die temperature has reached 125°C. This pin is automatically reset if the temperature drops back below 105°C. The THERMAL WARNING LED lights when this pin goes low.
5. **SE/BTL**: This pin controls the starting up timing based on the output configuration. If SE/BTL is connect to DVDD (SE), the start-up is slow to allow a pop-free start-up in single-ended configurations. If the SE/BTL is connect to GND, the start-up is faster, as desired, for BTL configurations. Use the jumper, JP1, to set this function.

2.5 Power Up

1. Verify correct voltage and input polarity for the ±9V supplies for the TAS3308 EVM and 10V - 26V supply for the TAS5602EVM2. Turn the TAS3308 power supplies ON.
2. Prepare the TAS3308 EVM for audio play by using the Quick Setup Guide in the TAS3308EVM User's Guide (TI document SLEU093). The user may want to turn down the volume on the audio source prior to enabling the audio outputs to the TAS5602 audio amplifier. Connect the audio source to the TAS3308 EVM and use the Pure Path Studio GDE to select the correct Mux to route the audio signal to the PWM3 output.
3. Turn on the power supply for the TAS5602EVM2. LED2 next to the PVCC jack on the TAS5602EVM2 should be lit. Audio power should be reaching the speakers (loads) at this time.
4. Adjust the audio level using the Pure Path Studio GDE to produce the required audio signal.

3 Reference

3.1 TAS5602EVM2 Schematic

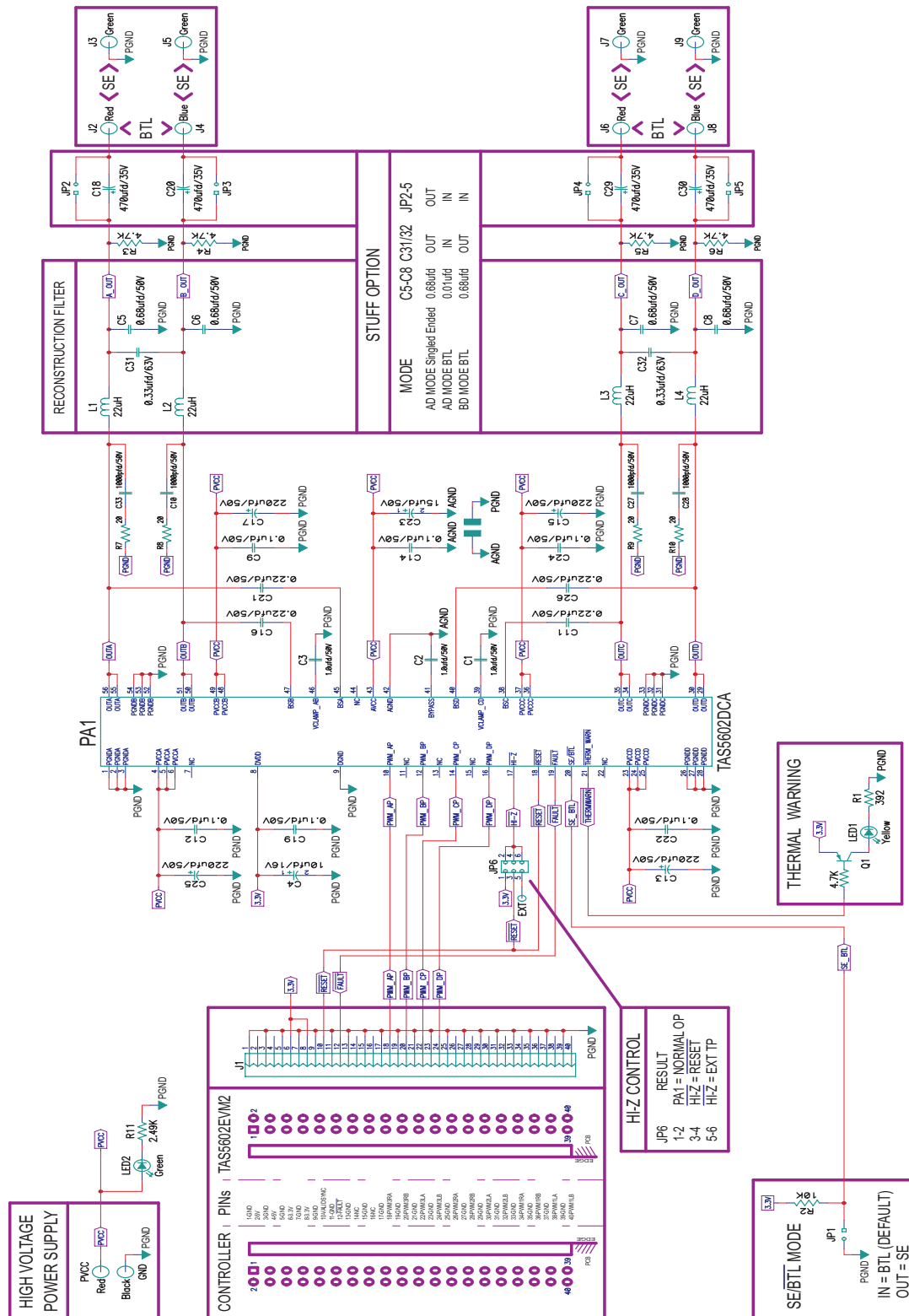


Figure 3. TAS5602EVM2 Schematic

3.2 TAS5602EVM2 PCB Layers

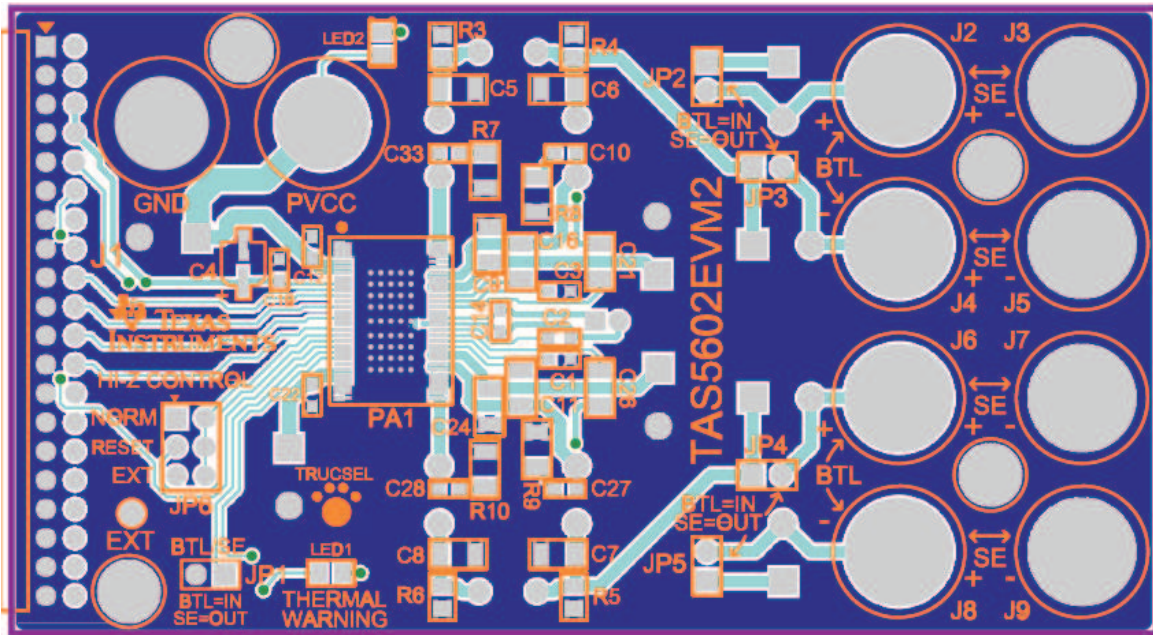


Figure 4. TAS5602EVM2 – Top Side Layout

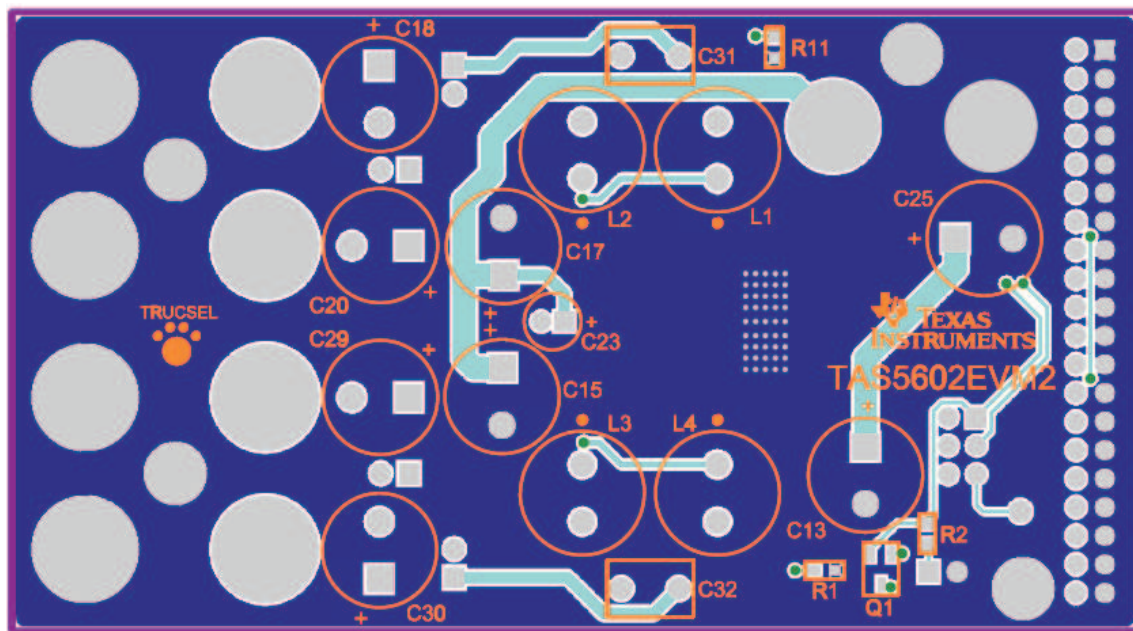


Figure 5. TAS5602EVM2 – Bottom Side Layout

3.3 Bill of Materials

Table 1. Bill of Materials for TAS5602EVM2 – BDBTL

ITEM	DESCRIPTION	REFERENCE DESIGNATORS	QTY	MANUFACTURER	MANUFACTURER PART NUM
1	20W 4 CH POWER AMP, HTSSOP56-DCA	PA1	1	TEXAS INSTRUMENTS	TAS5602DCA
2	Transistor PNP 50V PreBiased/4.7K 100mA SOT23-DBV3	Q1	1	DIODES, INC.	DDTA143TCA-7
3	LED, GREEN 2.0V SMD0805	LED2	1	LUMEX OPTICAL	SML-LXT0805GW-TR
4	LED, YELLOW 2.0V SMD0805	LED1	1	LUMEX OPTICAL	SML-LXT0805YW-TR
5	CAP 1000PF 50V CERM 0603 X7R	C10, C27, C28, C33	4	PANASONIC	ECU-V1H102KBV
6	CAP 0.1UF 50V CERM 0603 X7R	C12, C14, C19, C22	4	MURATA	GRM188R71H104KA93D
7	CAP 1.0UF 50V CERM 0603 X5S	C1, C2, C3	3	TAIYO YUDEN	UMK107C105KA-T
8	CAP 0.1UF 50V CERM 1206 X7R	C9, C24	2	PANASONIC	ECJ-3VB1H104K
9	CAP 0.22UF 50V CERM 1206 X7R	C11, C16, C21, C26	4	TDK CORPORATION	C3216X7R1H224K
10	CAP 0.68UF 50V CERM 1206 X7R ROHS	C5, C6, C7, C8	4	KEMET	C1206C684K5RACTU
12	CAP 10UF 16V ALUM ELEC SMD VSA	C4	1	PANASONIC	ECE-V1CS100SR
13	CAP 15UF 50V RAD ALUM ELEC FC	C23	1	PANASONIC	EEU-FC1H150
14	CAP 220UF 50V RAD ALUM ELEC FC	C13, C15, C17, C25	4	PANASONIC	EEU-FC1H221
15	CAP 470UF 35V RAD ALUM ELEC HE ROHS	C18, C20, C29, C30	4	NICHICON	UHE1V471MPD
16	RES 392 OHM 1/10W 1% SMD 0603	R1	1	PANASONIC	ERJ-3EKF3920V
17	RES 2.49K OHM 1/16W 1% SMD 0603	R11	1	PANASONIC	ERJ-3EKF2491V
18	RES 10K OHM 1/16W 5% SMD 0603	R2	1	PANASONIC	9C06031A1002JLHFT
19	RES 4.7K OHM 1/8W 1% SMD 0805	R3, R4, R5, R6	4	YAGEO	9C08052A4701FKHFT
20	RES 20 OHM 1/4W 1% SMD 1206	R7, R8, R9, R10	4	YAGEO	9C12063A20R0FKHFT
21	INDUCTOR, SERIES 11RHBP, 22UH	L1, L2, L3, L4	4	TOKO AMERICA	A7503AY-220M
22	HEADER, 2x20 PIN MALE PCB-RA GOLD ROHS	J1, J1	2	SULLINS	PBC20DBAN
23	HEADER, 2 PIN MALE, PCB, STRAIGHT GOLD ROHS	JP1, JP2, JP3, JP4, JP5	5	SULLINS	PBC02SAAN
24	HEADER, 2X3 PIN MALE, PCB STRAIGHT GOLD ROHS	JP6	1	SULLINS	PBC03DAAN
25	PC Testpoint, Orange	EXT	1	KEYSTONE ELECTRONICS	5003
26	BINDING POST, BLUE, TIN PCB ROHS	J4, J8	2	POMONA	3760-6
27	BINDING POST, GREEN, TIN PCB ROHS	J3, J5, J7, J9	4	POMONA	3760-5
28	BINDING POST, RED, TIN PCB ROHS	J2, J6	2	POMONA	3760-2
29	BINDING POST, BLACK, 15A ECONO	GND	1	KEYSTONE ELECTRONICS	7007
30	BINDING POST, RED, 15A ECONO	PVCC	1	KEYSTONE ELECTRONICS	7006
31	SHUNT, BLACK AU FLASH 0.100	JP1, JP2, JP3, JP4, JP5, JP6(1-2)	6	SULLINS	SPC02SYAN
32	Hex Nut, 4-40, Zinc/Steel	HW1, HW2, HW3, HW4	4	BUILDING FASTENERS	HNZ440
33	Standoff 4-40 Threaded M/F 1.50 in. ALUM-HEX	HW1, HW2, HW3, HW4	4	KEYSTONE ELECTRONICS	8409

EVALUATION BOARD/KIT IMPORTANT NOTICE

Texas Instruments (TI) provides the enclosed product(s) under the following conditions:

This evaluation board/kit is intended for use for **ENGINEERING DEVELOPMENT, DEMONSTRATION, OR EVALUATION PURPOSES ONLY** and is not considered by TI to be a finished end-product fit for general consumer use. Persons handling the product(s) must have electronics training and observe good engineering practice standards. As such, the goods being provided are not intended to be complete in terms of required design-, marketing-, and/or manufacturing-related protective considerations, including product safety and environmental measures typically found in end products that incorporate such semiconductor components or circuit boards. This evaluation board/kit does not fall within the scope of the European Union directives regarding electromagnetic compatibility, restricted substances (RoHS), recycling (WEEE), FCC, CE or UL, and therefore may not meet the technical requirements of these directives or other related directives.

Should this evaluation board/kit not meet the specifications indicated in the User's Guide, the board/kit may be returned within 30 days from the date of delivery for a full refund. **THE FOREGOING WARRANTY IS THE EXCLUSIVE WARRANTY MADE BY SELLER TO BUYER AND IS IN LIEU OF ALL OTHER WARRANTIES, EXPRESSED, IMPLIED, OR STATUTORY, INCLUDING ANY WARRANTY OF MERCHANTABILITY OR FITNESS FOR ANY PARTICULAR PURPOSE.**

The user assumes all responsibility and liability for proper and safe handling of the goods. Further, the user indemnifies TI from all claims arising from the handling or use of the goods. Due to the open construction of the product, it is the user's responsibility to take any and all appropriate precautions with regard to electrostatic discharge.

EXCEPT TO THE EXTENT OF THE INDEMNITY SET FORTH ABOVE, NEITHER PARTY SHALL BE LIABLE TO THE OTHER FOR ANY INDIRECT, SPECIAL, INCIDENTAL, OR CONSEQUENTIAL DAMAGES.

TI currently deals with a variety of customers for products, and therefore our arrangement with the user **is not exclusive.**

TI assumes **no liability for applications assistance, customer product design, software performance, or infringement of patents or services described herein.**

Please read the User's Guide and, specifically, the Warnings and Restrictions notice in the User's Guide prior to handling the product. This notice contains important safety information about temperatures and voltages. For additional information on TI's environmental and/or safety programs, please contact the TI application engineer or visit www.ti.com/esh.

No license is granted under any patent right or other intellectual property right of TI covering or relating to any machine, process, or combination in which such TI products or services might be or are used.

FCC Warning

This evaluation board/kit is intended for use for **ENGINEERING DEVELOPMENT, DEMONSTRATION, OR EVALUATION PURPOSES ONLY** and is not considered by TI to be a finished end-product fit for general consumer use. It generates, uses, and can radiate radio frequency energy and has not been tested for compliance with the limits of computing devices pursuant to part 15 of FCC rules, which are designed to provide reasonable protection against radio frequency interference. Operation of this equipment in other environments may cause interference with radio communications, in which case the user at his own expense will be required to take whatever measures may be required to correct this interference.

Mailing Address: Texas Instruments, Post Office Box 655303, Dallas, Texas 75265
Copyright © 2008, Texas Instruments Incorporated

EVM WARNINGS AND RESTRICTIONS

It is important to operate this EVM within the input voltage range of 0V to 5V and the output voltage range of 0V to 26V.

Exceeding the specified input range may cause unexpected operation and/or irreversible damage to the EVM. If there are questions concerning the input range, please contact a TI field representative prior to connecting the input power.

Applying loads outside of the specified output range may result in unintended operation and/or possible permanent damage to the EVM. Please consult the EVM User's Guide prior to connecting any load to the EVM output. If there is uncertainty as to the load specification, please contact a TI field representative.

During normal operation, some circuit components may have case temperatures greater than 85°C. The EVM is designed to operate properly with certain components above 85°C as long as the input and output ranges are maintained. These components include but are not limited to linear regulators, switching transistors, pass transistors, and current sense resistors. These types of devices can be identified using the EVM schematic located in the EVM User's Guide. When placing measurement probes near these devices during operation, please be aware that these devices may be very warm to the touch.

Mailing Address: Texas Instruments, Post Office Box 655303, Dallas, Texas 75265
Copyright © 2008, Texas Instruments Incorporated

IMPORTANT NOTICE

Texas Instruments Incorporated and its subsidiaries (TI) reserve the right to make corrections, modifications, enhancements, improvements, and other changes to its products and services at any time and to discontinue any product or service without notice. Customers should obtain the latest relevant information before placing orders and should verify that such information is current and complete. All products are sold subject to TI's terms and conditions of sale supplied at the time of order acknowledgment.

TI warrants performance of its hardware products to the specifications applicable at the time of sale in accordance with TI's standard warranty. Testing and other quality control techniques are used to the extent TI deems necessary to support this warranty. Except where mandated by government requirements, testing of all parameters of each product is not necessarily performed.

TI assumes no liability for applications assistance or customer product design. Customers are responsible for their products and applications using TI components. To minimize the risks associated with customer products and applications, customers should provide adequate design and operating safeguards.

TI does not warrant or represent that any license, either express or implied, is granted under any TI patent right, copyright, mask work right, or other TI intellectual property right relating to any combination, machine, or process in which TI products or services are used. Information published by TI regarding third-party products or services does not constitute a license from TI to use such products or services or a warranty or endorsement thereof. Use of such information may require a license from a third party under the patents or other intellectual property of the third party, or a license from TI under the patents or other intellectual property of TI.

Reproduction of TI information in TI data books or data sheets is permissible only if reproduction is without alteration and is accompanied by all associated warranties, conditions, limitations, and notices. Reproduction of this information with alteration is an unfair and deceptive business practice. TI is not responsible or liable for such altered documentation. Information of third parties may be subject to additional restrictions.

Resale of TI products or services with statements different from or beyond the parameters stated by TI for that product or service voids all express and any implied warranties for the associated TI product or service and is an unfair and deceptive business practice. TI is not responsible or liable for any such statements.

TI products are not authorized for use in safety-critical applications (such as life support) where a failure of the TI product would reasonably be expected to cause severe personal injury or death, unless officers of the parties have executed an agreement specifically governing such use. Buyers represent that they have all necessary expertise in the safety and regulatory ramifications of their applications, and acknowledge and agree that they are solely responsible for all legal, regulatory and safety-related requirements concerning their products and any use of TI products in such safety-critical applications, notwithstanding any applications-related information or support that may be provided by TI. Further, Buyers must fully indemnify TI and its representatives against any damages arising out of the use of TI products in such safety-critical applications.

TI products are neither designed nor intended for use in military/aerospace applications or environments unless the TI products are specifically designated by TI as military-grade or "enhanced plastic." Only products designated by TI as military-grade meet military specifications. Buyers acknowledge and agree that any such use of TI products which TI has not designated as military-grade is solely at the Buyer's risk, and that they are solely responsible for compliance with all legal and regulatory requirements in connection with such use.

TI products are neither designed nor intended for use in automotive applications or environments unless the specific TI products are designated by TI as compliant with ISO/TS 16949 requirements. Buyers acknowledge and agree that, if they use any non-designated products in automotive applications, TI will not be responsible for any failure to meet such requirements.

Following are URLs where you can obtain information on other Texas Instruments products and application solutions:

Products

Amplifiers	amplifier.ti.com
Data Converters	dataconverter.ti.com
DSP	dsp.ti.com
Clocks and Timers	www.ti.com/clocks
Interface	interface.ti.com
Logic	logic.ti.com
Power Mgmt	power.ti.com
Microcontrollers	microcontroller.ti.com
RFID	www.ti-rfid.com
RF/IF and ZigBee® Solutions	www.ti.com/lprf

Applications

Audio	www.ti.com/audio
Automotive	www.ti.com/automotive
Broadband	www.ti.com/broadband
Digital Control	www.ti.com/digitalcontrol
Medical	www.ti.com/medical
Military	www.ti.com/military
Optical Networking	www.ti.com/opticalnetwork
Security	www.ti.com/security
Telephony	www.ti.com/telephony
Video & Imaging	www.ti.com/video
Wireless	www.ti.com/wireless

Mailing Address: Texas Instruments, Post Office Box 655303, Dallas, Texas 75265
Copyright © 2008, Texas Instruments Incorporated