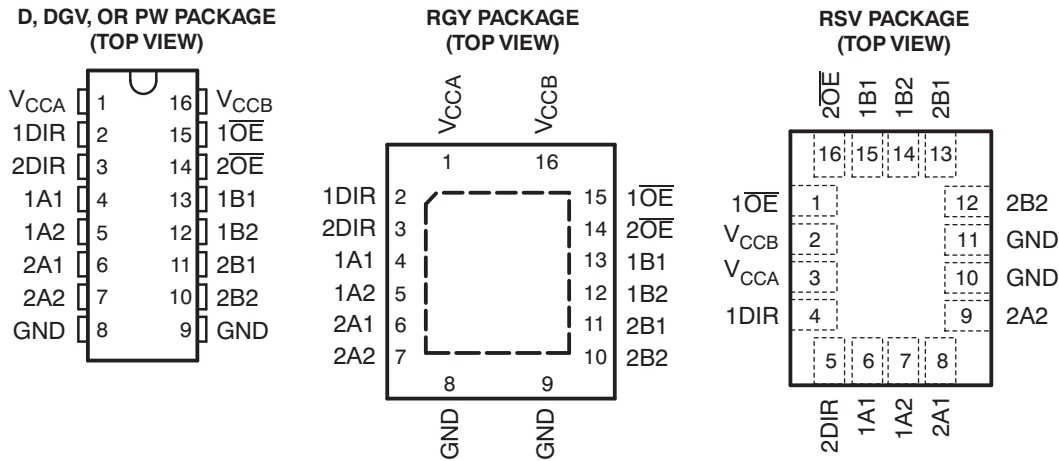


**FEATURES**

- Control Inputs  $V_{IH}/V_{IL}$  Levels Are Referenced to  $V_{CCA}$  Voltage
- Fully Configurable Dual-Rail Design Allows Each Port to Operate Over the Full 1.2-V to 3.6-V Power-Supply Range
- I/Os Are 4.6-V Tolerant
- $I_{off}$  Supports Partial Power-Down-Mode Operation
- Bus Hold on Data Inputs Eliminates the Need for External Pullup/Pulldown Resistors
- Max Data Rates
  - 380 Mbps (1.8V to 3.3V Translation)
  - 200 Mbps (<1.8V to 3.3V Translation)
  - 200 Mbps (Translate to 2.5V or 1.8V)
  - 150 Mbps (Translate to 1.5V)
  - 100 Mbps (Translate to 1.2V)
- Latch-Up Performance Exceeds 100 mA Per JESD 78, Class II
- ESD Protection Exceeds JESD 22
  - 8000-V Human-Body Model (A114-A)
  - 200-V Machine Model (A115-A)
  - 1000-V Charged-Device Model (C101)



**DESCRIPTION/ORDERING INFORMATION**

This 4-bit noninverting bus transceiver uses two separate configurable power-supply rails. The A port is designed to track  $V_{CCA}$ .  $V_{CCA}$  accepts any supply voltage from 1.2 V to 3.6 V. The B port is designed to track  $V_{CCB}$ .  $V_{CCB}$  accepts any supply voltage from 1.2 V to 3.6 V. The SN74AVCH4T245 is optimized to operate with  $V_{CCA}/V_{CCB}$  set at 1.4 V to 3.6 V. It is operational with  $V_{CCA}/V_{CCB}$  as low as 1.2 V. This allows for universal low-voltage bidirectional translation between any of the 1.2-V, 1.5-V, 1.8-V, 2.5-V, and 3.3-V voltage nodes.

The SN74AVCH4T245 is designed for asynchronous communication between two data buses. The logic levels of the direction-control (DIR) input and the output-enable ( $\overline{OE}$ ) input activate either the B-port outputs or the A-port outputs or place both output ports into the high-impedance mode. The device transmits data from the A bus to the B bus when the B-port outputs are activated, and from the B bus to the A bus when the A-port outputs are activated. The input circuitry on both A and B ports is always active and must have a logic HIGH or LOW level applied to prevent excess  $I_{CC}$  and  $I_{CCZ}$ .

The SN74AVCH4T245 is designed so that the control pins (1DIR, 2DIR,  $\overline{1OE}$ , and  $\overline{2OE}$ ) are supplied by  $V_{CCA}$ .

This device is fully specified for partial-power-down applications using  $I_{off}$ . The  $I_{off}$  circuitry disables the outputs, preventing damaging current backflow through the device when it is powered down.

The  $V_{CC}$  isolation feature ensures that if either  $V_{CC}$  input is at GND, then both ports are in the high-impedance state. The bus-hold circuitry on the powered-up side always stays active.



Please be aware that an important notice concerning availability, standard warranty, and use in critical applications of Texas Instruments semiconductor products and disclaimers thereto appears at the end of this data sheet.

**DESCRIPTION/ORDERING INFORMATION (CONTINUED)**

Active bus-hold circuitry holds unused or undriven inputs at a valid logic state. Use of pullup or pulldown resistors with the bus-hold circuitry is not recommended.

To ensure the high-impedance state during power up or power down,  $\overline{OE}$  should be tied to  $V_{CC}$  through a pullup resistor; the minimum value of the resistor is determined by the current-sinking capability of the driver.

**ORDERING INFORMATION**

| T <sub>A</sub> | PACKAGE <sup>(1)(2)</sup> |                   | ORDERABLE PART NUMBER | TOP-SIDE MARKING |
|----------------|---------------------------|-------------------|-----------------------|------------------|
| -40°C to 85°C  | QFN – RGY                 | Tape and reel     | SN74AVCH4T245RGYR     | WS245            |
|                | QFN – RSV                 | Tape and reel     | SN74AVCH4T245RSVR     | ZWV              |
|                | SOIC – D                  | Tube              | SN74AVCH4T245D        | AVCH4T245        |
|                |                           | Tape and reel     | SN74AVCH4T245DR       |                  |
|                | TSSOP – PW                | Tube              | SN74AVCH4T245PW       | WS245            |
|                |                           | Tape and reel     | SN74AVCH4T245PWR      |                  |
| TVSOP – DGV    | Tape and reel             | SN74AVCH4T245DGVR | WS245                 |                  |

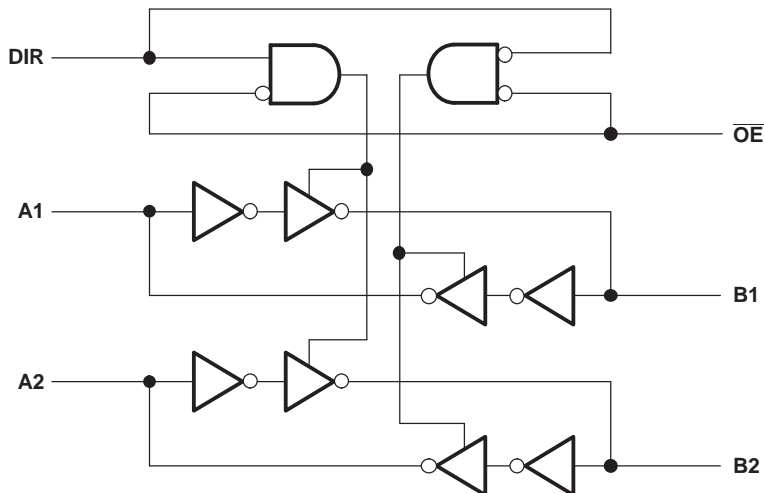
- (1) Package drawings, standard packing quantities, thermal data, symbolization, and PCB design guidelines are available at [www.ti.com/sc/package](http://www.ti.com/sc/package).
- (2) For the most current package and ordering information, see the Package Option Addendum at the end of this document, or see the TI website at [www.ti.com](http://www.ti.com).

**FUNCTION TABLE<sup>(1)</sup>**  
**(EACH 2-BIT SECTION)**

| CONTROL INPUTS  |     | OUTPUT CIRCUITS |         | OPERATION       |
|-----------------|-----|-----------------|---------|-----------------|
| $\overline{OE}$ | DIR | A PORT          | B PORT  |                 |
| L               | L   | Enabled         | Hi-Z    | B data to A bus |
| L               | H   | Hi-Z            | Enabled | A data to B bus |
| H               | X   | Hi-Z            | Hi-Z    | Isolation       |

(1) Input circuits of the data I/Os are always active.

**LOGIC DIAGRAM (POSITIVE LOGIC) FOR 1/2 OF AVCH4T245**



### Absolute Maximum Ratings<sup>(1)</sup>

over operating free-air temperature range (unless otherwise noted)

|                        |   | MIN                        | MAX  | UNIT            |      |
|------------------------|---|----------------------------|------|-----------------|------|
| $V_{CCA}$<br>$V_{CCB}$ | Supply voltage range  | -0.5                       | 4.6  | V               |      |
| $V_I$                  | Input voltage range <sup>(2)</sup>  | I/O ports (A port)         | -0.5 | 4.6             | V    |
|                        |   | I/O ports (B port)         | -0.5 | 4.6             |      |
|                        |   | Control inputs             | -0.5 | 4.6             |      |
| $V_O$                  | Voltage range applied to any output in the high-impedance or power-off state <sup>(2)</sup> | A port                     | -0.5 | 4.6             | V    |
|                        |   | B port                     | -0.5 | 4.6             |      |
| $V_O$                  | Voltage range applied to any output in the high or low state <sup>(2)(3)</sup>              | A port                     | -0.5 | $V_{CCA} + 0.5$ | V    |
|                        |   | B port                     | -0.5 | $V_{CCB} + 0.5$ |      |
| $I_{IK}$               | Input clamp current   | $V_I < 0$                  | -50  | mA              |      |
| $I_{OK}$               | Output clamp current  | $V_O < 0$                  | -50  | mA              |      |
| $I_O$                  | Continuous output current   |                            | ±50  | mA              |      |
|                        | Continuous current through $V_{CCA}$ , $V_{CCB}$ , or GND                                   |                            | ±100 | mA              |      |
| $\theta_{JA}$          | Package thermal impedance   | D package <sup>(4)</sup>   |      | 73              | °C/W |
|                        |   | DGV package <sup>(4)</sup> |      | 120             |      |
|                        |   | PW package <sup>(4)</sup>  |      | 108             |      |
|                        |   | RGY package <sup>(5)</sup> |      | 39              |      |
|                        |   | RSV package                |      | 184             |      |
| $T_{stg}$              | Storage temperature range   | -65                        | 150  | °C              |      |

- (1) Stresses beyond those listed under "absolute maximum ratings" may cause permanent damage to the device. These are stress ratings only, and functional operation of the device at these or any other conditions beyond those indicated under "recommended operating conditions" is not implied. Exposure to absolute-maximum-rated conditions for extended periods may affect device reliability.
- (2) The input voltage and output negative-voltage ratings may be exceeded if the input and output current ratings are observed.
- (3) The output positive-voltage rating may be exceeded up to 4.6 V maximum if the output current rating is observed.
- (4) The package thermal impedance is calculated in accordance with JESD 51-7.
- (5) The package thermal impedance is calculated in accordance with JESD 51-5.

Recommended Operating Conditions<sup>(1)(2)(3)(4)(5)</sup>

|                     |                                    | $V_{CCI}$                                     | $V_{CCO}$        | MIN                   | MAX       | UNIT |
|---------------------|------------------------------------|---|------------------|-----------------------|-----------|------|
| $V_{CCA}$           | Supply voltage                     |   |                  | 1.2                   | 3.6       | V    |
| $V_{CCB}$           | Supply voltage                     |   |                  | 1.2                   | 3.6       | V    |
| $V_{IH}$            | High-level input voltage           | Data inputs <sup>(4)</sup>                    | 1.2 V to 1.95 V  | $V_{CCI} \times 0.65$ |           | V    |
|                     |                                    |   | 1.95 V to 2.7 V  | 1.6                   |           |      |
|                     |                                    |   | 2.7 V to 3.6 V   | 2                     |           |      |
| $V_{IL}$            | Low-level input voltage            | Data inputs <sup>(4)</sup>                    | 1.2 V to 1.95 V  | $V_{CCI} \times 0.35$ |           | V    |
|                     |                                    |   | 1.95 V to 2.7 V  | 0.7                   |           |      |
|                     |                                    |   | 2.7 V to 3.6 V   | 0.8                   |           |      |
| $V_{IH}$            | High-level input voltage           | DIR (referenced to $V_{CCA}$ ) <sup>(5)</sup> | 1.2 V to 1.95 V  | $V_{CCA} \times 0.65$ |           | V    |
|                     |                                    |   | 1.95 V to 2.7 V  | 1.6                   |           |      |
|                     |                                    |   | 2.7 V to 3.6 V   | 2                     |           |      |
| $V_{IL}$            | Low-level input voltage            | DIR (referenced to $V_{CCA}$ ) <sup>(5)</sup> | 1.2 V to 1.95 V  | $V_{CCA} \times 0.35$ |           | V    |
|                     |                                    |   | 1.95 V to 2.7 V  | 0.7                   |           |      |
|                     |                                    |   | 2.7 V to 3.6 V   | 0.8                   |           |      |
| $V_I$               | Input voltage                      |   |                  | 0                     | 3.6       | V    |
| $V_O$               | Output voltage                     | Active state                                  |                  | 0                     | $V_{CCO}$ | V    |
|                     |                                    | 3-state                                       |                  | 0                     | 3.6       |      |
| $I_{OH}$            | High-level output current          |   | 1.2 V            | –3                    |           | mA   |
|                     |                                    |   | 1.4 V to 1.6 V   | –6                    |           |      |
|                     |                                    |   | 1.65 V to 1.95 V | –8                    |           |      |
|                     |                                    |   | 2.3 V to 2.7 V   | –9                    |           |      |
|                     |                                    |   | 3 V to 3.6 V     | –12                   |           |      |
| $I_{OL}$            | Low-level output current           |   | 1.2 V            | 3                     |           | mA   |
|                     |                                    |   | 1.4 V to 1.6 V   | 6                     |           |      |
|                     |                                    |   | 1.65 V to 1.95 V | 8                     |           |      |
|                     |                                    |   | 2.3 V to 2.7 V   | 9                     |           |      |
|                     |                                    |   | 3 V to 3.6 V     | 12                    |           |      |
| $\Delta t/\Delta v$ | Input transition rise or fall rate |   |                  |                       | 5         | ns/V |
| $T_A$               | Operating free-air temperature     |   |                  | –40                   | 85        | °C   |

(1)  $V_{CCI}$  is the  $V_{CC}$  associated with the input port.

(2)  $V_{CCO}$  is the  $V_{CC}$  associated with the output port.

(3) All unused data inputs of the device must be held at  $V_{CCI}$  or GND to ensure proper device operation. Refer to the TI application report, *Implications of Slow or Floating CMOS Inputs*, literature number SCBA004.

(4) For  $V_{CCI}$  values not specified in the data sheet,  $V_{IH}$  min =  $V_{CCI} \times 0.7$  V,  $V_{IL}$  max =  $V_{CCI} \times 0.3$  V.

(5) For  $V_{CCA}$  values not specified in the data sheet,  $V_{IH}$  min =  $V_{CCA} \times 0.7$  V,  $V_{IL}$  max =  $V_{CCA} \times 0.3$  V.

**Electrical Characteristics**<sup>(1)(2)</sup>

over recommended operating free-air temperature range (unless otherwise noted)

| PARAMETER                        | TEST CONDITIONS                        |  | V <sub>CCA</sub> | V <sub>CCB</sub> | T <sub>A</sub> = 25°C |        |       | –40°C to 85°C          |     | UNIT |
|----------------------------------|--|--|------------------|------------------|-----------------------|--------|-------|------------------------|-----|------|
|                                  |  |  |                  |                  | MIN                   | TYP    | MAX   | MIN                    | MAX |      |
| V <sub>OH</sub>                  | I <sub>OH</sub> = –100 μA              | V <sub>I</sub> = V <sub>IH</sub>         | 1.2 V to 3.6 V   | 1.2 V to 3.6 V   |                       |        |       | V <sub>CCO</sub> – 0.2 |     | V    |
|                                  | I <sub>OH</sub> = –3 mA                |  | 1.2 V            | 1.2 V            | 0.95                  |        |       |                        |     |      |
|                                  | I <sub>OH</sub> = –6 mA                |  | 1.4 V            | 1.4 V            |                       |        |       | 1.05                   |     |      |
|                                  | I <sub>OH</sub> = –8 mA                |  | 1.65 V           | 1.65 V           |                       |        |       | 1.2                    |     |      |
|                                  | I <sub>OH</sub> = –9 mA                |  | 2.3 V            | 2.3 V            |                       |        |       | 1.75                   |     |      |
|                                  | I <sub>OH</sub> = –12 mA               |  | 3 V              | 3 V              |                       |        |       | 2.3                    |     |      |
| V <sub>OL</sub>                  | I <sub>OL</sub> = 100 μA               | V <sub>I</sub> = V <sub>IL</sub>         | 1.2 V to 3.6 V   | 1.2 V to 3.6 V   |                       |        |       | 0.2                    |     | V    |
|                                  | I <sub>OL</sub> = 3 mA                 |  | 1.2 V            | 1.2 V            | 0.15                  |        |       |                        |     |      |
|                                  | I <sub>OL</sub> = 6 mA                 |  | 1.4 V            | 1.4 V            |                       |        |       | 0.35                   |     |      |
|                                  | I <sub>OL</sub> = 8 mA                 |  | 1.65 V           | 1.65 V           |                       |        |       | 0.45                   |     |      |
|                                  | I <sub>OL</sub> = 9 mA                 |  | 2.3 V            | 2.3 V            |                       |        |       | 0.55                   |     |      |
|                                  | I <sub>OL</sub> = 12 mA                |  | 3 V              | 3 V              |                       |        |       | 0.7                    |     |      |
| I <sub>I</sub>                   | DIR input                              | V <sub>I</sub> = V <sub>CCA</sub> or GND | 1.2 V to 3.6 V   | 1.2 V to 3.6 V   |                       | ±0.025 | ±0.25 |                        | ±1  | μA   |
| I <sub>BHL</sub> <sup>(3)</sup>  | V <sub>I</sub> = 0.42 V                |  | 1.2 V            | 1.2 V            |                       | 25     |       |                        |     | μA   |
|                                  | V <sub>I</sub> = 0.49 V                |  | 1.4 V            | 1.4 V            |                       |        |       | 15                     |     |      |
|                                  | V <sub>I</sub> = 0.58 V                |  | 1.65 V           | 1.65 V           |                       |        |       | 25                     |     |      |
|                                  | V <sub>I</sub> = 0.7 V                 |  | 2.3 V            | 2.3 V            |                       |        |       | 45                     |     |      |
|                                  | V <sub>I</sub> = 0.8 V                 |  | 3.3 V            | 3.3 V            |                       |        |       | 100                    |     |      |
| I <sub>BHH</sub> <sup>(4)</sup>  | V <sub>I</sub> = 0.78 V                |  | 1.2 V            | 1.2 V            |                       | –25    |       |                        |     | μA   |
|                                  | V <sub>I</sub> = 0.91 V                |  | 1.4 V            | 1.4 V            |                       |        |       | –15                    |     |      |
|                                  | V <sub>I</sub> = 1.07 V                |  | 1.65 V           | 1.65 V           |                       |        |       | –25                    |     |      |
|                                  | V <sub>I</sub> = 1.6 V                 |  | 2.3 V            | 2.3 V            |                       |        |       | –45                    |     |      |
|                                  | V <sub>I</sub> = 2 V                   |  | 3.3 V            | 3.3 V            |                       |        |       | –100                   |     |      |
| I <sub>BHLO</sub> <sup>(5)</sup> | V <sub>I</sub> = 0 to V <sub>CCI</sub> |  | 1.2 V            | 1.2 V            |                       | 50     |       |                        |     | μA   |
|                                  |  |  | 1.6 V            | 1.6 V            |                       |        |       | 125                    |     |      |
|                                  |  |  | 1.95 V           | 1.95 V           |                       |        |       | 200                    |     |      |
|                                  |  |  | 2.7 V            | 2.7 V            |                       |        |       | 300                    |     |      |
|                                  |  |  | 3.6 V            | 3.6 V            |                       |        |       | 500                    |     |      |
| I <sub>BHHO</sub> <sup>(6)</sup> | V <sub>I</sub> = 0 to V <sub>CCI</sub> |  | 1.2 V            | 1.2 V            |                       | –50    |       |                        |     | μA   |
|                                  |  |  | 1.6 V            | 1.6 V            |                       |        |       | –125                   |     |      |
|                                  |  |  | 1.95 V           | 1.95 V           |                       |        |       | –200                   |     |      |
|                                  |  |  | 2.7 V            | 2.7 V            |                       |        |       | –300                   |     |      |
|                                  |  |  | 3.6 V            | 3.6 V            |                       |        |       | –500                   |     |      |

 (1) V<sub>CCO</sub> is the V<sub>CC</sub> associated with the output port.

 (2) V<sub>CCI</sub> is the V<sub>CC</sub> associated with the input port.

 (3) The bus-hold circuit can sink at least the minimum low sustaining current at V<sub>IL</sub> max. I<sub>BHL</sub> should be measured after lowering V<sub>IN</sub> to GND and then raising it to V<sub>IL</sub> max.

 (4) The bus-hold circuit can source at least the minimum high sustaining current at V<sub>IH</sub> min. I<sub>BHH</sub> should be measured after raising V<sub>IN</sub> to V<sub>CC</sub> and then lowering it to V<sub>IH</sub> min.

 (5) An external driver must source at least I<sub>BHLO</sub> to switch this node from low to high.

 (6) An external driver must sink at least I<sub>BHHO</sub> to switch this node from high to low.

**Electrical Characteristics**<sup>(1)(2)</sup>

over recommended operating free-air temperature range (unless otherwise noted) (continued)

| PARAMETER                           |  | TEST CONDITIONS   |                                 | V <sub>CCA</sub> | V <sub>CCB</sub> | T <sub>A</sub> = 25°C |      |     | –40°C to 85°C |     | UNIT |
|-------------------------------------|--|---|---------------------------------|------------------|------------------|-----------------------|------|-----|---------------|-----|------|
|                                     |  |   |                                 |                  |                  | MIN                   | TYP  | MAX | MIN           | MAX |      |
| I <sub>off</sub>                    | A port   | V <sub>I</sub> or V <sub>O</sub> = 0 to 3.6 V   |                                 | 0 V              | 0 V to 3.6 V     | ±0.1                  | ±1   |     | ±5            |     | μA   |
|                                     | B port   |   |                                 | 0 V to 3.6 V     | 0 V              | ±0.1                  | ±1   | ±5  |               |     |      |
| I <sub>OZ</sub> <sup>(3)</sup>      | A or B port  | V <sub>O</sub> = V <sub>CCO</sub> or GND,<br>V <sub>I</sub> = V <sub>CCI</sub> or GND | $\overline{OE} = V_{IH}$        | 3.6 V            | 3.6 V            | ±0.5                  | ±2.5 |     | ±5            |     | μA   |
|                                     | B port   | V <sub>O</sub> = V <sub>CCO</sub> or GND,<br>V <sub>I</sub> = V <sub>CCI</sub> or GND | $\overline{OE} =$<br>don't care | 0 V              | 3.6 V            |                       |      |     | ±5            |     |      |
|                                     | A port   | V <sub>O</sub> = V <sub>CCO</sub> or GND,<br>V <sub>I</sub> = V <sub>CCI</sub> or GND | $\overline{OE} =$<br>don't care | 3.6 V            | 0 V              |                       |      |     | ±5            |     |      |
| I <sub>CCA</sub>                    | V <sub>I</sub> = V <sub>CCI</sub> or GND, I <sub>O</sub> = 0 |   | 1.2 V to 3.6 V                  |                  | 1.2 V to 3.6 V   |                       |      |     | 8             |     | μA   |
|                                     |  |   | 0 V                             |                  | 3.6 V            |                       |      |     | –2            |     |      |
|                                     |  |   | 3.6 V                           |                  | 0 V              |                       |      |     | 8             |     |      |
| I <sub>CCB</sub>                    | V <sub>I</sub> = V <sub>CCI</sub> or GND, I <sub>O</sub> = 0 |   | 1.2 V to 3.6 V                  |                  | 1.2 V to 3.6 V   |                       |      |     | 8             |     | μA   |
|                                     |  |   | 0 V                             |                  | 3.6 V            |                       |      |     | 8             |     |      |
|                                     |  |   | 3.6 V                           |                  | 0 V              |                       |      |     | –2            |     |      |
| I <sub>CCA</sub> + I <sub>CCB</sub> |  | V <sub>I</sub> = V <sub>CCI</sub> or GND, I <sub>O</sub> = 0                          |                                 | 1.2 V to 3.6 V   | 1.2 V to 3.6 V   |                       |      |     | 16            |     | μA   |
| C <sub>i</sub>                      | Control inputs   | V <sub>I</sub> = 3.3 V or GND   |                                 | 3.3 V            | 3.3 V            | 3.5                   |      |     | 4.5           |     | pF   |
| C <sub>io</sub>                     | A or B port  | V <sub>O</sub> = 3.3 V or GND   |                                 | 3.3 V            | 3.3 V            | 6                     |      |     | 7             |     | pF   |

(1) V<sub>CCO</sub> is the V<sub>CC</sub> associated with the output port.(2) V<sub>CCI</sub> is the V<sub>CC</sub> associated with the input port.(3) For I/O ports, the parameter I<sub>OZ</sub> includes the input leakage current.**Switching Characteristics**over recommended operating free-air temperature range, V<sub>CCA</sub> = 1.2 V (see Figure 1)

| PARAMETER        | FROM (INPUT)    | TO (OUTPUT) | V <sub>CCB</sub> = 1.2 V | V <sub>CCB</sub> = 1.5 V<br>± 0.1 V | V <sub>CCB</sub> = 1.8 V<br>± 0.15 V | V <sub>CCB</sub> = 2.5 V<br>± 0.2 V | V <sub>CCB</sub> = 3.3 V<br>± 0.3 V | UNIT |
|------------------|-----------------|-------------|--------------------------|-------------------------------------|--------------------------------------|-------------------------------------|-------------------------------------|------|
|                  |                 |             | TYP                      | TYP                                 | TYP                                  | TYP                                 | TYP                                 |      |
| t <sub>PLH</sub> | A               | B           | 3.4                      | 2.9                                 | 2.7                                  | 2.6                                 | 2.8                                 | ns   |
| t <sub>PHL</sub> |                 |             | 3.4                      | 2.9                                 | 2.7                                  | 2.6                                 | 2.8                                 |      |
| t <sub>PLH</sub> | B               | A           | 3.6                      | 3.1                                 | 2.8                                  | 2.6                                 | 2.6                                 | ns   |
| t <sub>PHL</sub> |                 |             | 3.6                      | 3.1                                 | 2.8                                  | 2.6                                 | 2.6                                 |      |
| t <sub>PZH</sub> | $\overline{OE}$ | A           | 5.6                      | 4.7                                 | 4.3                                  | 3.9                                 | 3.7                                 | ns   |
| t <sub>PZL</sub> |                 |             | 5.6                      | 4.7                                 | 4.3                                  | 3.9                                 | 3.7                                 |      |
| t <sub>PZH</sub> | $\overline{OE}$ | B           | 5                        | 4.3                                 | 3.9                                  | 3.6                                 | 3.6                                 | ns   |
| t <sub>PZL</sub> |                 |             | 5                        | 4.3                                 | 3.9                                  | 3.6                                 | 3.6                                 |      |
| t <sub>PHZ</sub> | $\overline{OE}$ | A           | 6.2                      | 5.2                                 | 5.2                                  | 4.3                                 | 4.8                                 | ns   |
| t <sub>PLZ</sub> |                 |             | 6.2                      | 5.2                                 | 5.2                                  | 4.3                                 | 4.8                                 |      |
| t <sub>PHZ</sub> | $\overline{OE}$ | B           | 5.9                      | 5.1                                 | 5                                    | 4.7                                 | 5.5                                 | ns   |
| t <sub>PLZ</sub> |                 |             | 5.9                      | 5.1                                 | 5                                    | 4.7                                 | 5.5                                 |      |

### Switching Characteristics

over recommended operating free-air temperature range,  $V_{CCA} = 1.5\text{ V} \pm 0.1\text{ V}$  (see Figure 1)

| PARAMETER | FROM (INPUT)    | TO (OUTPUT) | $V_{CCB} = 1.2\text{ V}$ |  | $V_{CCB} = 1.5\text{ V} \pm 0.1\text{ V}$ |      | $V_{CCB} = 1.8\text{ V} \pm 0.15\text{ V}$ |      | $V_{CCB} = 2.5\text{ V} \pm 0.2\text{ V}$ |      | $V_{CCB} = 3.3\text{ V} \pm 0.3\text{ V}$ |      | UNIT |
|-----------|-----------------|-------------|--------------------------|--|---|------|--|------|---|------|---|------|------|
|           |                 |             | TYP                      |  | MIN                                       | MAX  | MIN  | MAX  | MIN                                       | MAX  | MIN                                       | MAX  |      |
| $t_{PLH}$ | A               | B           | 3.2                      |  | 0.3                                       | 6.3  | 0.3  | 5.2  | 0.4                                       | 4.2  | 0.4                                       | 4.2  | ns   |
| $t_{PHL}$ |                 |             | 3.2                      |  | 0.3                                       | 6.3  | 0.3  | 5.2  | 0.4                                       | 4.2  | 0.4                                       | 4.2  |      |
| $t_{PLH}$ | B               | A           | 3.3                      |  | 0.7                                       | 6.3  | 0.5  | 6    | 0.4                                       | 5.7  | 0.3                                       | 5.6  | ns   |
| $t_{PHL}$ |                 |             | 3.3                      |  | 0.7                                       | 6.3  | 0.5  | 6    | 0.4                                       | 5.7  | 0.3                                       | 5.6  |      |
| $t_{PZH}$ | $\overline{OE}$ | A           | 4.9                      |  | 1.4                                       | 9.6  | 1.1  | 9.5  | 0.7                                       | 9.4  | 0.4                                       | 9.4  | ns   |
| $t_{PZL}$ |                 |             | 4.9                      |  | 1.4                                       | 9.6  | 1.1  | 9.5  | 0.7                                       | 9.4  | 0.4                                       | 9.4  |      |
| $t_{PZH}$ | $\overline{OE}$ | B           | 4.5                      |  | 1.4                                       | 9.6  | 1.1  | 7.7  | 0.9                                       | 5.8  | 0.9                                       | 5.6  | ns   |
| $t_{PZL}$ |                 |             | 4.5                      |  | 1.4                                       | 9.6  | 1.1  | 7.7  | 0.9                                       | 5.8  | 0.9                                       | 5.6  |      |
| $t_{PHZ}$ | $\overline{OE}$ | A           | 5.6                      |  | 1.8                                       | 10.2 | 1.5  | 10.2 | 1.3                                       | 10.2 | 1.6                                       | 10.2 | ns   |
| $t_{PLZ}$ |                 |             | 5.6                      |  | 1.8                                       | 10.2 | 1.5  | 10.2 | 1.3                                       | 10.2 | 1.6                                       | 10.2 |      |
| $t_{PHZ}$ | $\overline{OE}$ | B           | 5.2                      |  | 1.9                                       | 10.3 | 1.9  | 9.1  | 1.4                                       | 7.4  | 1.2                                       | 7.6  | ns   |
| $t_{PLZ}$ |                 |             | 5.2                      |  | 1.9                                       | 10.3 | 1.9  | 9.1  | 1.4                                       | 7.4  | 1.2                                       | 7.6  |      |

### Switching Characteristics

over recommended operating free-air temperature range,  $V_{CCA} = 1.8\text{ V} \pm 0.15\text{ V}$  (see Figure 1)

| PARAMETER | FROM (INPUT)    | TO (OUTPUT) | $V_{CCB} = 1.2\text{ V}$ |  | $V_{CCB} = 1.5\text{ V} \pm 0.1\text{ V}$ |     | $V_{CCB} = 1.8\text{ V} \pm 0.15\text{ V}$ |     | $V_{CCB} = 2.5\text{ V} \pm 0.2\text{ V}$ |     | $V_{CCB} = 3.3\text{ V} \pm 0.3\text{ V}$ |     | UNIT |
|-----------|-----------------|-------------|--------------------------|--|---|-----|--|-----|---|-----|---|-----|------|
|           |                 |             | TYP                      |  | MIN                                       | MAX | MIN  | MAX | MIN                                       | MAX | MIN                                       | MAX |      |
| $t_{PLH}$ | A               | B           | 2.9                      |  | 0.1                                       | 6   | 0.1  | 4.9 | 0.1                                       | 3.9 | 0.3                                       | 3.9 | ns   |
| $t_{PHL}$ |                 |             | 2.9                      |  | 0.1                                       | 6   | 0.1  | 4.9 | 0.1                                       | 3.9 | 0.3                                       | 3.9 |      |
| $t_{PLH}$ | B               | A           | 3                        |  | 0.6                                       | 5.3 | 0.5  | 4.9 | 0.3                                       | 4.6 | 0.3                                       | 4.5 | ns   |
| $t_{PHL}$ |                 |             | 3                        |  | 0.6                                       | 5.3 | 0.5  | 4.9 | 0.3                                       | 4.6 | 0.3                                       | 4.5 |      |
| $t_{PZH}$ | $\overline{OE}$ | A           | 4.4                      |  | 1   | 7.4 | 1  | 7.3 | 0.6                                       | 7.3 | 0.4                                       | 7.2 | ns   |
| $t_{PZL}$ |                 |             | 4.4                      |  | 1   | 7.4 | 1  | 7.3 | 0.6                                       | 7.3 | 0.4                                       | 7.2 |      |
| $t_{PZH}$ | $\overline{OE}$ | B           | 4.1                      |  | 1.2                                       | 9.2 | 1  | 7.4 | 0.8                                       | 5.3 | 0.8                                       | 4.6 | ns   |
| $t_{PZL}$ |                 |             | 4.1                      |  | 1.2                                       | 9.2 | 1  | 7.4 | 0.8                                       | 5.3 | 0.8                                       | 4.6 |      |
| $t_{PHZ}$ | $\overline{OE}$ | A           | 5.4                      |  | 1.6                                       | 8.6 | 1.8  | 8.7 | 1.3                                       | 8.7 | 1.6                                       | 8.7 | ns   |
| $t_{PLZ}$ |                 |             | 5.4                      |  | 1.6                                       | 8.6 | 1.8  | 8.7 | 1.3                                       | 8.7 | 1.6                                       | 8.7 |      |
| $t_{PHZ}$ | $\overline{OE}$ | B           | 5                        |  | 1.7                                       | 9.9 | 1.6  | 8.7 | 1.2                                       | 6.9 | 1   | 6.9 | ns   |
| $t_{PLZ}$ |                 |             | 5                        |  | 1.7                                       | 9.9 | 1.6  | 8.7 | 1.2                                       | 6.9 | 1   | 6.9 |      |

**Switching Characteristics**over recommended operating free-air temperature range,  $V_{CCA} = 2.5\text{ V} \pm 0.2\text{ V}$  (see Figure 1)

| PARAMETER | FROM (INPUT)    | TO (OUTPUT) | $V_{CCB} = 1.2\text{ V}$ | $V_{CCB} = 1.5\text{ V} \pm 0.1\text{ V}$ |     | $V_{CCB} = 1.8\text{ V} \pm 0.15\text{ V}$ |     | $V_{CCB} = 2.5\text{ V} \pm 0.2\text{ V}$ |     | $V_{CCB} = 3.3\text{ V} \pm 0.3\text{ V}$ |     | UNIT |
|-----------|-----------------|-------------|--------------------------|---|-----|--|-----|---|-----|---|-----|------|
|           |                 |             | TYP                      | MIN                                       | MAX | MIN  | MAX | MIN                                       | MAX | MIN                                       | MAX |      |
| $t_{PLH}$ | A               | B           | 2.8                      | 0.1                                       | 5.7 | 0.1  | 4.6 | 0.2                                       | 3.5 | 0.1                                       | 3.6 | ns   |
| $t_{PHL}$ |                 |             | 2.8                      | 0.1                                       | 5.7 | 0.1  | 4.6 | 0.2                                       | 3.5 | 0.1                                       | 3.6 |      |
| $t_{PLH}$ | B               | A           | 2.7                      | 0.6                                       | 4.2 | 0.4  | 3.9 | 0.2                                       | 3.4 | 0.2                                       | 3.3 | ns   |
| $t_{PHL}$ |                 |             | 2.7                      | 0.6                                       | 4.2 | 0.4  | 3.9 | 0.2                                       | 3.4 | 0.2                                       | 3.3 |      |
| $t_{PZH}$ | $\overline{OE}$ | A           | 4                        | 0.7                                       | 6.5 | 0.7  | 5.2 | 0.6                                       | 4.8 | 0.4                                       | 4.8 | ns   |
| $t_{PZL}$ |                 |             | 4                        | 0.7                                       | 6.5 | 0.7  | 5.2 | 0.6                                       | 4.8 | 0.4                                       | 4.8 |      |
| $t_{PZH}$ | $\overline{OE}$ | B           | 3.8                      | 0.9                                       | 8.8 | 0.8  | 7   | 0.6                                       | 4.8 | 0.6                                       | 4   | ns   |
| $t_{PZL}$ |                 |             | 3.8                      | 0.9                                       | 8.8 | 0.8  | 7   | 0.6                                       | 4.8 | 0.6                                       | 4   |      |
| $t_{PHZ}$ | $\overline{OE}$ | A           | 4.7                      | 1   | 8.4 | 1  | 8.4 | 1   | 6.2 | 1   | 6.6 | ns   |
| $t_{PLZ}$ |                 |             | 4.7                      | 1   | 8.4 | 1  | 8.4 | 1   | 6.2 | 1   | 6.6 |      |
| $t_{PHZ}$ | $\overline{OE}$ | B           | 4.5                      | 1.5                                       | 9.4 | 1.3  | 8.2 | 1.1                                       | 6.2 | 0.9                                       | 5.2 | ns   |
| $t_{PLZ}$ |                 |             | 4.5                      | 1.5                                       | 8.8 | 1.3  | 8.2 | 1.1                                       | 6.2 | 0.9                                       | 5.2 |      |

**Switching Characteristics**over recommended operating free-air temperature range,  $V_{CCA} = 3.3\text{ V} \pm 0.3\text{ V}$  (see Figure 1)

| PARAMETER | FROM (INPUT)    | TO (OUTPUT) | $V_{CCB} = 1.2\text{ V}$ | $V_{CCB} = 1.5\text{ V} \pm 0.1\text{ V}$ |     | $V_{CCB} = 1.8\text{ V} \pm 0.15\text{ V}$ |     | $V_{CCB} = 2.5\text{ V} \pm 0.2\text{ V}$ |     | $V_{CCB} = 3.3\text{ V} \pm 0.3\text{ V}$ |     | UNIT |
|-----------|-----------------|-------------|--------------------------|---|-----|--|-----|---|-----|---|-----|------|
|           |                 |             | TYP                      | MIN                                       | MAX | MIN  | MAX | MIN                                       | MAX | MIN                                       | MAX |      |
| $t_{PLH}$ | A               | B           | 2.9                      | 0.1                                       | 5.6 | 0.1  | 4.5 | 0.1                                       | 3.3 | 0.1                                       | 2.9 | ns   |
| $t_{PHL}$ |                 |             | 2.9                      | 0.1                                       | 5.6 | 0.1  | 4.5 | 0.1                                       | 3.3 | 0.1                                       | 2.9 |      |
| $t_{PLH}$ | B               | A           | 2.6                      | 0.6                                       | 4.2 | 0.4  | 3.4 | 0.2                                       | 3   | 0.1                                       | 2.8 | ns   |
| $t_{PHL}$ |                 |             | 2.6                      | 0.6                                       | 4.2 | 0.4  | 3.4 | 0.2                                       | 3   | 0.1                                       | 2.8 |      |
| $t_{PZH}$ | $\overline{OE}$ | A           | 3.8                      | 0.6                                       | 8.7 | 0.6  | 5.2 | 0.6                                       | 3.8 | 0.4                                       | 3.8 | ns   |
| $t_{PZL}$ |                 |             | 3.8                      | 0.6                                       | 8.7 | 0.6  | 5.2 | 0.6                                       | 3.8 | 0.4                                       | 3.8 |      |
| $t_{PZH}$ | $\overline{OE}$ | B           | 3.7                      | 0.8                                       | 8.7 | 0.6  | 6.8 | 0.5                                       | 4.7 | 0.5                                       | 3.8 | ns   |
| $t_{PZL}$ |                 |             | 3.7                      | 0.8                                       | 8.7 | 0.6  | 6.8 | 0.5                                       | 4.7 | 0.5                                       | 3.8 |      |
| $t_{PHZ}$ | $\overline{OE}$ | A           | 4.8                      | 0.7                                       | 9.3 | 0.7  | 8.3 | 0.7                                       | 5.6 | 0.7                                       | 6.6 | ns   |
| $t_{PLZ}$ |                 |             | 4.8                      | 0.7                                       | 9.3 | 0.7  | 8.3 | 0.7                                       | 5.6 | 0.7                                       | 6.6 |      |
| $t_{PHZ}$ | $\overline{OE}$ | B           | 5.3                      | 1.4                                       | 9.3 | 1.2  | 8.1 | 1   | 6.4 | 0.8                                       | 6.2 | ns   |
| $t_{PLZ}$ |                 |             | 5.3                      | 1.4                                       | 9.3 | 1.2  | 8.1 | 1   | 6.4 | 0.8                                       | 6.2 |      |



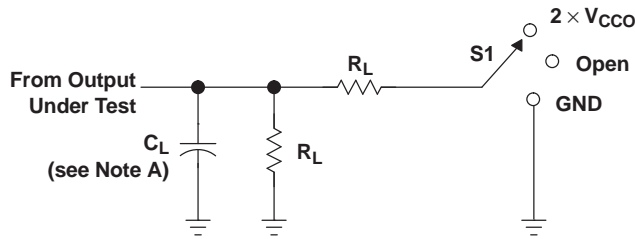
## Operating Characteristics

$T_A = 25^\circ\text{C}$

| PARAMETER       |        |                  | TEST CONDITIONS   | $V_{CCA} =$<br>$V_{CCB} = 1.2\text{ V}$ | $V_{CCA} =$<br>$V_{CCB} = 1.5\text{ V}$ | $V_{CCA} =$<br>$V_{CCB} = 1.8\text{ V}$ | $V_{CCA} =$<br>$V_{CCB} = 2.5\text{ V}$ | $V_{CCA} =$<br>$V_{CCB} = 3.3\text{ V}$ | UNIT |
|-----------------|--------|------------------|---|---|---|---|---|---|------|
|                 |        |                  |   | TYP                                     | TYP                                     | TYP                                     | TYP                                     | TYP                                     |      |
| $C_{pdA}^{(1)}$ | A to B | Outputs enabled  | $C_L = 0,$<br>$f = 10\text{ MHz},$<br>$t_r = t_f = 1\text{ ns}$ | 1                                       | 1                                       | 1                                       | 1.5                                     | 2                                       | pF   |
|                 |        | Outputs disabled |   | 1                                       | 1                                       | 1                                       | 1                                       | 1                                       |      |
|                 | B to A | Outputs enabled  |   | 12                                      | 12.5                                    | 13                                      | 14                                      | 15                                      |      |
|                 |        | Outputs disabled |   | 1                                       | 1                                       | 1                                       | 1                                       | 1                                       |      |
| $C_{pdB}^{(1)}$ | A to B | Outputs enabled  | $C_L = 0,$<br>$f = 10\text{ MHz},$<br>$t_r = t_f = 1\text{ ns}$ | 12                                      | 12.5                                    | 13                                      | 14                                      | 15                                      | pF   |
|                 |        | Outputs disabled |   | 1                                       | 1                                       | 1                                       | 1                                       | 1                                       |      |
|                 | B to A | Outputs enabled  |   | 1                                       | 1                                       | 1                                       | 1                                       | 2                                       |      |
|                 |        | Outputs disabled |   | 1                                       | 1                                       | 1                                       | 1                                       | 1                                       |      |

(1) Power dissipation capacitance per transceiver

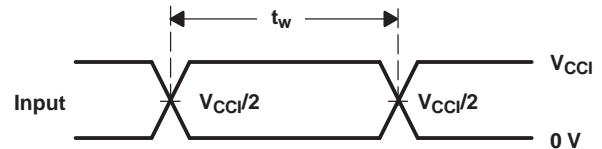
PARAMETER MEASUREMENT INFORMATION



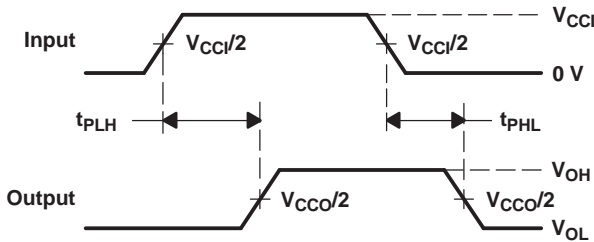
LOAD CIRCUIT

| TEST              | S1                 |
|-------------------|--------------------|
| $t_{pd}$          | Open               |
| $t_{PLZ}/t_{PZL}$ | $2 \times V_{CCO}$ |
| $t_{PHZ}/t_{PZH}$ | GND                |

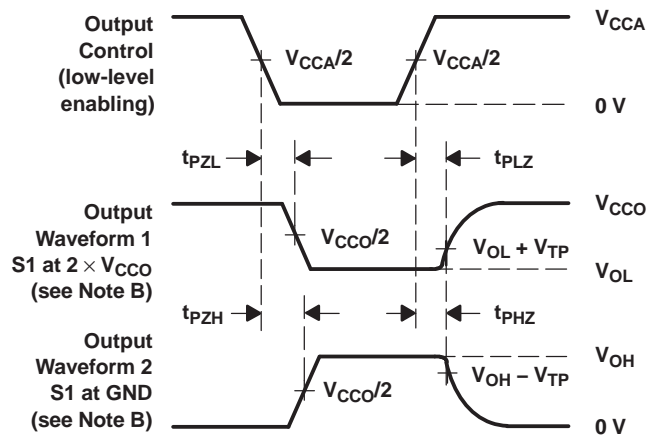
| $V_{CCO}$          | $C_L$ | $R_L$        | $V_{TP}$ |
|--------------------|-------|--------------|----------|
| 1.2 V              | 15 pF | 2 k $\Omega$ | 0.1 V    |
| 1.5 V $\pm$ 0.1 V  | 15 pF | 2 k $\Omega$ | 0.1 V    |
| 1.8 V $\pm$ 0.15 V | 15 pF | 2 k $\Omega$ | 0.15 V   |
| 2.5 V $\pm$ 0.2 V  | 15 pF | 2 k $\Omega$ | 0.15 V   |
| 3.3 V $\pm$ 0.3 V  | 15 pF | 2 k $\Omega$ | 0.3 V    |



VOLTAGE WAVEFORMS  
PULSE DURATION



VOLTAGE WAVEFORMS  
PROPAGATION DELAY TIMES



VOLTAGE WAVEFORMS  
ENABLE AND DISABLE TIMES

- NOTES:
- A.  $C_L$  includes probe and jig capacitance.
  - B. Waveform 1 is for an output with internal conditions such that the output is low, except when disabled by the output control. Waveform 2 is for an output with internal conditions such that the output is high, except when disabled by the output control.
  - C. All input pulses are supplied by generators having the following characteristics:  $PRR \leq 10$  MHz,  $Z_O = 50 \Omega$ ,  $dv/dt \geq 1$  V/ns,  $di/dt \geq 1$  A/ns.
  - D. The outputs are measured one at a time, with one transition per measurement.
  - E.  $t_{PLZ}$  and  $t_{PHZ}$  are the same as  $t_{dis}$ .
  - F.  $t_{PZL}$  and  $t_{PZH}$  are the same as  $t_{en}$ .
  - G.  $t_{PLH}$  and  $t_{PHL}$  are the same as  $t_{pd}$ .
  - H.  $V_{CCI}$  is the  $V_{CC}$  associated with the input port.
  - I.  $V_{CCO}$  is the  $V_{CC}$  associated with the output port.

Figure 1. Load Circuit and Voltage Waveforms

**PACKAGING INFORMATION**

| Orderable Device  | Status<br>(1) | Package Type | Package<br>Drawing | Pins | Package<br>Qty | Eco Plan<br>(2)            | Lead/Ball Finish<br>(6) | MSL Peak Temp<br>(3) | Op Temp (°C) | Device Marking<br>(4/5) | Samples                 |
|-------------------|---------------|--------------|--------------------|------|----------------|----------------------------|-------------------------|----------------------|--------------|-------------------------|-------------------------|
| 74AVCH4T245DGVRE4 | ACTIVE        | TVSOP        | DGV                | 16   |                | TBD                        | Call TI                 | Call TI              | -40 to 85    |                         | <a href="#">Samples</a> |
| 74AVCH4T245DGVRG4 | ACTIVE        | TVSOP        | DGV                | 16   |                | TBD                        | Call TI                 | Call TI              | -40 to 85    |                         | <a href="#">Samples</a> |
| 74AVCH4T245PWRE4  | ACTIVE        | TSSOP        | PW                 | 16   |                | TBD                        | Call TI                 | Call TI              | -40 to 85    |                         | <a href="#">Samples</a> |
| 74AVCH4T245PWRG4  | ACTIVE        | TSSOP        | PW                 | 16   | 2000           | Green (RoHS<br>& no Sb/Br) | CU NIPDAU               | Level-1-260C-UNLIM   | -40 to 85    | WS245                   | <a href="#">Samples</a> |
| 74AVCH4T245PWTE4  | ACTIVE        | TSSOP        | PW                 | 16   | 250            | Green (RoHS<br>& no Sb/Br) | CU NIPDAU               | Level-1-260C-UNLIM   | -40 to 85    | WS245                   | <a href="#">Samples</a> |
| 74AVCH4T245PWTG4  | ACTIVE        | TSSOP        | PW                 | 16   | 250            | Green (RoHS<br>& no Sb/Br) | CU NIPDAU               | Level-1-260C-UNLIM   | -40 to 85    | WS245                   | <a href="#">Samples</a> |
| 74AVCH4T245RGYRG4 | ACTIVE        | VQFN         | RGY                | 16   | 3000           | Green (RoHS<br>& no Sb/Br) | CU NIPDAU               | Level-2-260C-1 YEAR  | -40 to 85    | WS245                   | <a href="#">Samples</a> |
| 74AVCH4T245RSVRG4 | ACTIVE        | UQFN         | RSV                | 16   | 3000           | Green (RoHS<br>& no Sb/Br) | CU NIPDAU               | Level-1-260C-UNLIM   | -40 to 85    | ZWV                     | <a href="#">Samples</a> |
| SN74AVCH4T245D    | ACTIVE        | SOIC         | D                  | 16   | 40             | Green (RoHS<br>& no Sb/Br) | CU NIPDAU               | Level-1-260C-UNLIM   | -40 to 85    | AVCH4T245               | <a href="#">Samples</a> |
| SN74AVCH4T245DGVR | ACTIVE        | TVSOP        | DGV                | 16   | 2000           | Green (RoHS<br>& no Sb/Br) | CU NIPDAU               | Level-1-260C-UNLIM   | -40 to 85    | WS245                   | <a href="#">Samples</a> |
| SN74AVCH4T245DR   | ACTIVE        | SOIC         | D                  | 16   | 2500           | Green (RoHS<br>& no Sb/Br) | CU NIPDAU               | Level-1-260C-UNLIM   | -40 to 85    | AVCH4T245               | <a href="#">Samples</a> |
| SN74AVCH4T245DT   | ACTIVE        | SOIC         | D                  | 16   | 250            | Green (RoHS<br>& no Sb/Br) | CU NIPDAU               | Level-1-260C-UNLIM   | -40 to 85    | AVCH4T245               | <a href="#">Samples</a> |
| SN74AVCH4T245PW   | ACTIVE        | TSSOP        | PW                 | 16   | 90             | Green (RoHS<br>& no Sb/Br) | CU NIPDAU               | Level-1-260C-UNLIM   | -40 to 85    | WS245                   | <a href="#">Samples</a> |
| SN74AVCH4T245PWE4 | ACTIVE        | TSSOP        | PW                 | 16   | 90             | Green (RoHS<br>& no Sb/Br) | CU NIPDAU               | Level-1-260C-UNLIM   | -40 to 85    | WS245                   | <a href="#">Samples</a> |
| SN74AVCH4T245PWR  | ACTIVE        | TSSOP        | PW                 | 16   | 2000           | Green (RoHS<br>& no Sb/Br) | CU NIPDAU               | Level-1-260C-UNLIM   | -40 to 85    | WS245                   | <a href="#">Samples</a> |
| SN74AVCH4T245PWT  | ACTIVE        | TSSOP        | PW                 | 16   | 250            | Green (RoHS<br>& no Sb/Br) | CU NIPDAU               | Level-1-260C-UNLIM   | -40 to 85    | WS245                   | <a href="#">Samples</a> |
| SN74AVCH4T245RGYR | ACTIVE        | VQFN         | RGY                | 16   | 3000           | Green (RoHS<br>& no Sb/Br) | CU NIPDAU               | Level-2-260C-1 YEAR  | -40 to 85    | WS245                   | <a href="#">Samples</a> |

| Orderable Device  | Status<br>(1) | Package Type | Package<br>Drawing | Pins | Package<br>Qty | Eco Plan<br>(2)            | Lead/Ball Finish<br>(6) | MSL Peak Temp<br>(3) | Op Temp (°C) | Device Marking<br>(4/5) | Samples        |
|-------------------|---------------|--------------|--------------------|------|----------------|----------------------------|-------------------------|----------------------|--------------|-------------------------|----------------|
| SN74AVCH4T245RSVR | ACTIVE        | UQFN         | RSV                | 16   | 3000           | Green (RoHS<br>& no Sb/Br) | CU NIPDAU   Call TI     | Level-1-260C-UNLIM   | -40 to 85    | ZWV                     | <b>Samples</b> |

(1) The marketing status values are defined as follows:

**ACTIVE:** Product device recommended for new designs.

**LIFEBUY:** TI has announced that the device will be discontinued, and a lifetime-buy period is in effect.

**NRND:** Not recommended for new designs. Device is in production to support existing customers, but TI does not recommend using this part in a new design.

**PREVIEW:** Device has been announced but is not in production. Samples may or may not be available.

**OBSOLETE:** TI has discontinued the production of the device.

(2) Eco Plan - The planned eco-friendly classification: Pb-Free (RoHS), Pb-Free (RoHS Exempt), or Green (RoHS & no Sb/Br) - please check <http://www.ti.com/productcontent> for the latest availability information and additional product content details.

**TBD:** The Pb-Free/Green conversion plan has not been defined.

**Pb-Free (RoHS):** TI's terms "Lead-Free" or "Pb-Free" mean semiconductor products that are compatible with the current RoHS requirements for all 6 substances, including the requirement that lead not exceed 0.1% by weight in homogeneous materials. Where designed to be soldered at high temperatures, TI Pb-Free products are suitable for use in specified lead-free processes.

**Pb-Free (RoHS Exempt):** This component has a RoHS exemption for either 1) lead-based flip-chip solder bumps used between the die and package, or 2) lead-based die adhesive used between the die and leadframe. The component is otherwise considered Pb-Free (RoHS compatible) as defined above.

**Green (RoHS & no Sb/Br):** TI defines "Green" to mean Pb-Free (RoHS compatible), and free of Bromine (Br) and Antimony (Sb) based flame retardants (Br or Sb do not exceed 0.1% by weight in homogeneous material)

(3) MSL, Peak Temp. - The Moisture Sensitivity Level rating according to the JEDEC industry standard classifications, and peak solder temperature.

(4) There may be additional marking, which relates to the logo, the lot trace code information, or the environmental category on the device.

(5) Multiple Device Markings will be inside parentheses. Only one Device Marking contained in parentheses and separated by a "~" will appear on a device. If a line is indented then it is a continuation of the previous line and the two combined represent the entire Device Marking for that device.

(6) Lead/Ball Finish - Orderable Devices may have multiple material finish options. Finish options are separated by a vertical ruled line. Lead/Ball Finish values may wrap to two lines if the finish value exceeds the maximum column width.

**Important Information and Disclaimer:** The information provided on this page represents TI's knowledge and belief as of the date that it is provided. TI bases its knowledge and belief on information provided by third parties, and makes no representation or warranty as to the accuracy of such information. Efforts are underway to better integrate information from third parties. TI has taken and continues to take reasonable steps to provide representative and accurate information but may not have conducted destructive testing or chemical analysis on incoming materials and chemicals. TI and TI suppliers consider certain information to be proprietary, and thus CAS numbers and other limited information may not be available for release.

In no event shall TI's liability arising out of such information exceed the total purchase price of the TI part(s) at issue in this document sold by TI to Customer on an annual basis.

**OTHER QUALIFIED VERSIONS OF SN74AVCH4T245 :**

- Enhanced Product: [SN74AVCH4T245-EP](#)

NOTE: Qualified Version Definitions:

- Enhanced Product - Supports Defense, Aerospace and Medical Applications

**TAPE AND REEL INFORMATION**
**REEL DIMENSIONS**

**TAPE DIMENSIONS**


|    |   |
|----|---|
| A0 | Dimension designed to accommodate the component width     |
| B0 | Dimension designed to accommodate the component length    |
| K0 | Dimension designed to accommodate the component thickness |
| W  | Overall width of the carrier tape                         |
| P1 | Pitch between successive cavity centers                   |

**TAPE AND REEL INFORMATION**

\*All dimensions are nominal

| Device            | Package Type | Package Drawing | Pins | SPQ  | Reel Diameter (mm) | Reel Width W1 (mm) | A0 (mm) | B0 (mm) | K0 (mm) | P1 (mm) | W (mm) | Pin1 Quadrant |
|-------------------|--------------|-----------------|------|------|--------------------|--------------------|---------|---------|---------|---------|--------|---------------|
| SN74AVCH4T245DR   | SOIC         | D               | 16   | 2500 | 330.0              | 16.4               | 6.5     | 10.3    | 2.1     | 8.0     | 16.0   | Q1            |
| SN74AVCH4T245PWR  | TSSOP        | PW              | 16   | 2000 | 330.0              | 12.4               | 6.9     | 5.6     | 1.6     | 8.0     | 12.0   | Q1            |
| SN74AVCH4T245PWT  | TSSOP        | PW              | 16   | 250  | 330.0              | 12.4               | 6.9     | 5.6     | 1.6     | 8.0     | 12.0   | Q1            |
| SN74AVCH4T245RGYR | VQFN         | RGY             | 16   | 3000 | 330.0              | 12.4               | 3.8     | 4.3     | 1.5     | 8.0     | 12.0   | Q1            |
| SN74AVCH4T245RSVR | UQFN         | RSV             | 16   | 3000 | 180.0              | 12.4               | 2.1     | 2.9     | 0.75    | 4.0     | 12.0   | Q1            |

**TAPE AND REEL BOX DIMENSIONS**


\*All dimensions are nominal

| Device            | Package Type | Package Drawing | Pins | SPQ  | Length (mm) | Width (mm) | Height (mm) |
|-------------------|--------------|-----------------|------|------|-------------|------------|-------------|
| SN74AVCH4T245DR   | SOIC         | D               | 16   | 2500 | 333.2       | 345.9      | 28.6        |
| SN74AVCH4T245PWR  | TSSOP        | PW              | 16   | 2000 | 367.0       | 367.0      | 35.0        |
| SN74AVCH4T245PWT  | TSSOP        | PW              | 16   | 250  | 367.0       | 367.0      | 35.0        |
| SN74AVCH4T245RGYR | VQFN         | RGY             | 16   | 3000 | 367.0       | 367.0      | 35.0        |
| SN74AVCH4T245RSVR | UQFN         | RSV             | 16   | 3000 | 203.0       | 203.0      | 35.0        |

D (R-PDSO-G16)

PLASTIC SMALL OUTLINE



- NOTES:
- A. All linear dimensions are in inches (millimeters).
  - B. This drawing is subject to change without notice.
  - C. Body length does not include mold flash, protrusions, or gate burrs. Mold flash, protrusions, or gate burrs shall not exceed 0.006 (0,15) each side.
  - D. Body width does not include interlead flash. Interlead flash shall not exceed 0.017 (0,43) each side.
  - E. Reference JEDEC MS-012 variation AC.



PW (R-PDSO-G16)

PLASTIC SMALL OUTLINE

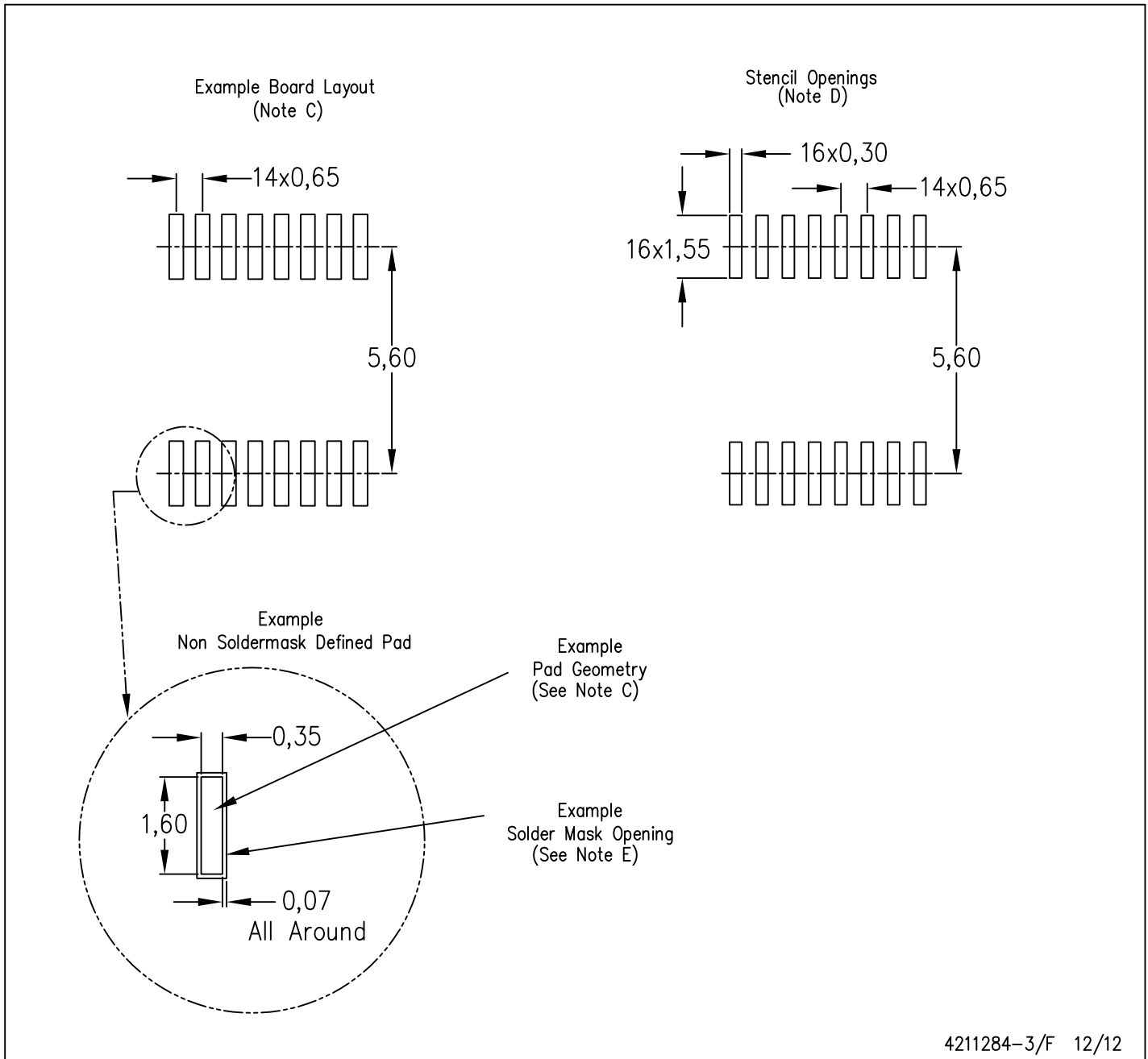


4040064-4/G 02/11

- NOTES:
- A. All linear dimensions are in millimeters. Dimensioning and tolerancing per ASME Y14.5M-1994.
  - B. This drawing is subject to change without notice.
  -  Body length does not include mold flash, protrusions, or gate burrs. Mold flash, protrusions, or gate burrs shall not exceed 0,15 each side.
  -  Body width does not include interlead flash. Interlead flash shall not exceed 0,25 each side.
  - E. Falls within JEDEC MO-153

PW (R-PDSO-G16)

PLASTIC SMALL OUTLINE



- NOTES:
- A. All linear dimensions are in millimeters.
  - B. This drawing is subject to change without notice.
  - C. Publication IPC-7351 is recommended for alternate designs.
  - D. Laser cutting apertures with trapezoidal walls and also rounding corners will offer better paste release. Customers should contact their board assembly site for stencil design recommendations. Refer to IPC-7525 for other stencil recommendations.
  - E. Customers should contact their board fabrication site for solder mask tolerances between and around signal pads.

RGY (R-PVQFN-N16)

PLASTIC QUAD FLATPACK NO-LEAD



4203539-3/1 06/2011

- NOTES:
- All linear dimensions are in millimeters. Dimensioning and tolerancing per ASME Y14.5M-1994.
  - This drawing is subject to change without notice.
  - QFN (Quad Flatpack No-Lead) package configuration.
  - The package thermal pad must be soldered to the board for thermal and mechanical performance.
  - See the additional figure in the Product Data Sheet for details regarding the exposed thermal pad features and dimensions.
  - Pin 1 identifiers are located on both top and bottom of the package and within the zone indicated. The Pin 1 identifiers are either a molded, marked, or metal feature.
  - Package complies to JEDEC MO-241 variation BA.

RGY (R-PVQFN-N16)

PLASTIC QUAD FLATPACK NO-LEAD

**THERMAL INFORMATION**

This package incorporates an exposed thermal pad that is designed to be attached directly to an external heatsink. The thermal pad must be soldered directly to the printed circuit board (PCB). After soldering, the PCB can be used as a heatsink. In addition, through the use of thermal vias, the thermal pad can be attached directly to the appropriate copper plane shown in the electrical schematic for the device, or alternatively, can be attached to a special heatsink structure designed into the PCB. This design optimizes the heat transfer from the integrated circuit (IC).

For information on the Quad Flatpack No-Lead (QFN) package and its advantages, refer to Application Report, QFN/SON PCB Attachment, Texas Instruments Literature No. SLUA271. This document is available at [www.ti.com](http://www.ti.com).

The exposed thermal pad dimensions for this package are shown in the following illustration.



Bottom View

Exposed Thermal Pad Dimensions

4206353-3/P 03/14

NOTE: All linear dimensions are in millimeters

RGY (R-PVQFN-N16)

PLASTIC QUAD FLATPACK NO-LEAD

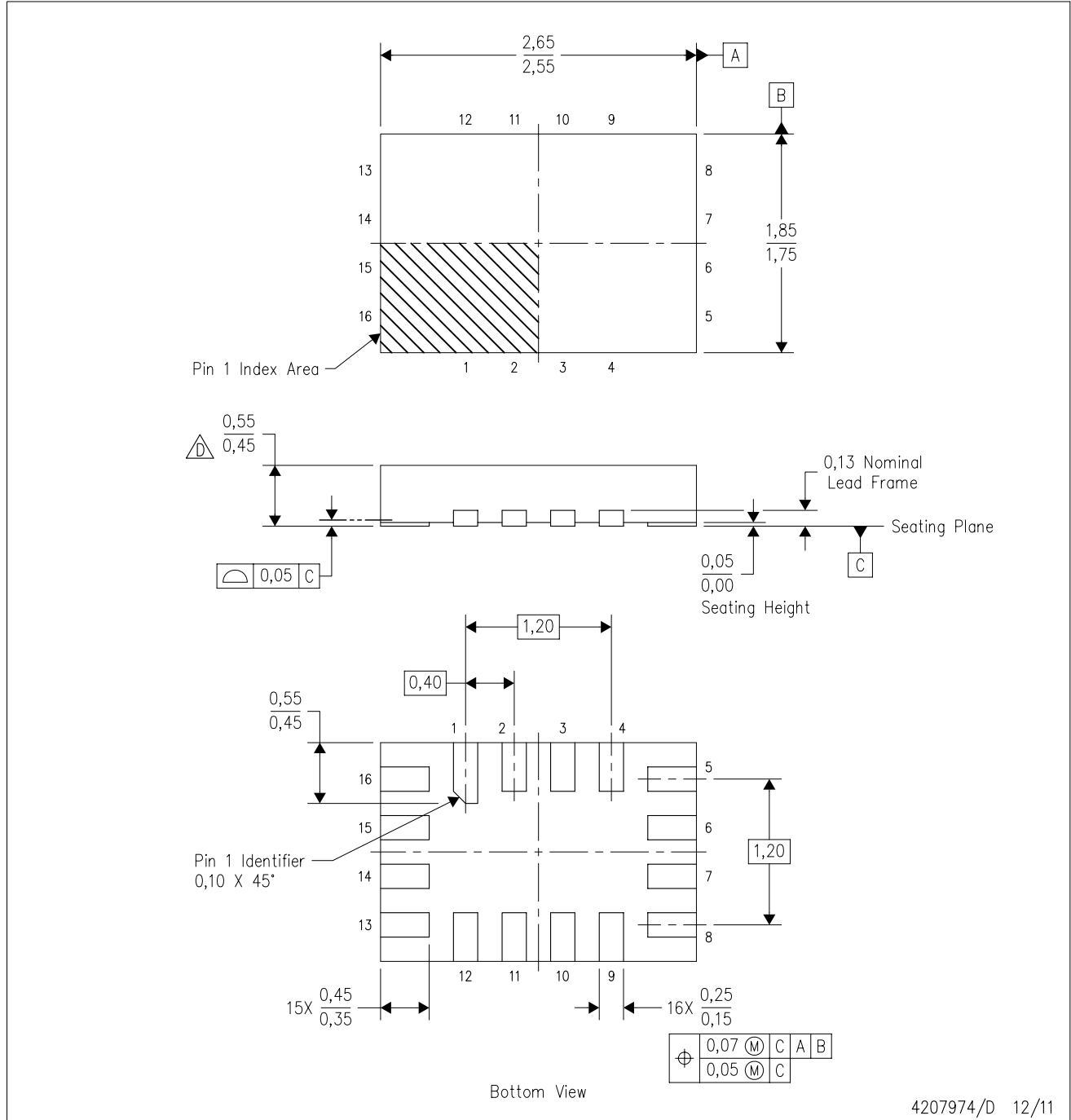


4208122-3/P 03/14

- NOTES:
- A. All linear dimensions are in millimeters.
  - B. This drawing is subject to change without notice.
  - C. Publication IPC-7351 is recommended for alternate designs.
  - D. This package is designed to be soldered to a thermal pad on the board. Refer to Application Note, Quad Flat-Pack QFN/SON PCB Attachment, Texas Instruments Literature No. SLUA271, and also the Product Data Sheets for specific thermal information, via requirements, and recommended board layout. These documents are available at [www.ti.com](http://www.ti.com) <<http://www.ti.com>>.
  - E. Laser cutting apertures with trapezoidal walls and also rounding corners will offer better paste release. Customers should contact their board assembly site for stencil design recommendations. Refer to IPC 7525 for stencil design considerations.
  - F. Customers should contact their board fabrication site for minimum solder mask web tolerances between signal pads.

RSV (R-PUQFN-N16)

PLASTIC QUAD FLATPACK NO-LEAD

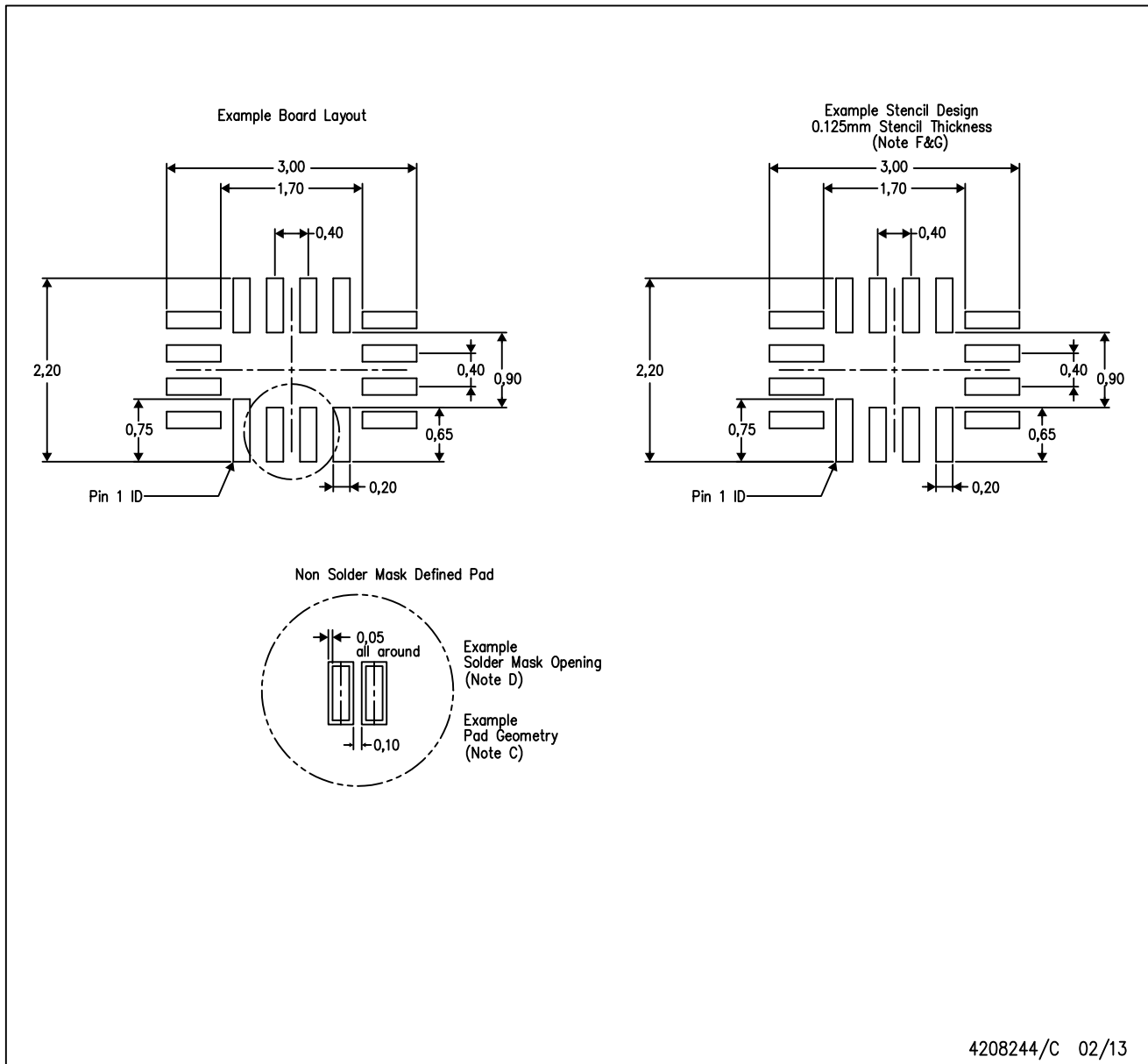


4207974/D 12/11

- NOTES:
- A. All linear dimensions are in millimeters. Dimensioning and tolerancing per ASME Y14.5M-1994.
  - B. This drawing is subject to change without notice.
  - C. QFN (Quad Flatpack No-Lead) package configuration.
  - This package complies to JEDEC MO-288 variation UFHE, except minimum package thickness.

RSV (R-PUQFN-N16)

PLASTIC QUAD FLATPACK NO-LEAD



- NOTES:
- All linear dimensions are in millimeters.
  - This drawing is subject to change without notice.
  - Publication IPC-7351 is recommended for alternate designs.
  - Customers should contact their board fabrication site for minimum solder mask web tolerances between signal pads.
  - Maximum stencil thickness 0,127 mm (5 mils). All linear dimensions are in millimeters.
  - Laser cutting apertures with trapezoidal walls and also rounding corners will offer better paste release. Customers should contact their board assembly site for stencil design recommendations. Refer to IPC 7525 for stencil design considerations.
  - Side aperture dimensions over-print land for acceptable area ratio > 0.66. Customer may reduce side aperture dimensions if stencil manufacturing process allows for sufficient release at smaller opening.

## IMPORTANT NOTICE

Texas Instruments Incorporated and its subsidiaries (TI) reserve the right to make corrections, enhancements, improvements and other changes to its semiconductor products and services per JESD46, latest issue, and to discontinue any product or service per JESD48, latest issue. Buyers should obtain the latest relevant information before placing orders and should verify that such information is current and complete. All semiconductor products (also referred to herein as "components") are sold subject to TI's terms and conditions of sale supplied at the time of order acknowledgment.

TI warrants performance of its components to the specifications applicable at the time of sale, in accordance with the warranty in TI's terms and conditions of sale of semiconductor products. Testing and other quality control techniques are used to the extent TI deems necessary to support this warranty. Except where mandated by applicable law, testing of all parameters of each component is not necessarily performed.

TI assumes no liability for applications assistance or the design of Buyers' products. Buyers are responsible for their products and applications using TI components. To minimize the risks associated with Buyers' products and applications, Buyers should provide adequate design and operating safeguards.

TI does not warrant or represent that any license, either express or implied, is granted under any patent right, copyright, mask work right, or other intellectual property right relating to any combination, machine, or process in which TI components or services are used. Information published by TI regarding third-party products or services does not constitute a license to use such products or services or a warranty or endorsement thereof. Use of such information may require a license from a third party under the patents or other intellectual property of the third party, or a license from TI under the patents or other intellectual property of TI.

Reproduction of significant portions of TI information in TI data books or data sheets is permissible only if reproduction is without alteration and is accompanied by all associated warranties, conditions, limitations, and notices. TI is not responsible or liable for such altered documentation. Information of third parties may be subject to additional restrictions.

Resale of TI components or services with statements different from or beyond the parameters stated by TI for that component or service voids all express and any implied warranties for the associated TI component or service and is an unfair and deceptive business practice. TI is not responsible or liable for any such statements.

Buyer acknowledges and agrees that it is solely responsible for compliance with all legal, regulatory and safety-related requirements concerning its products, and any use of TI components in its applications, notwithstanding any applications-related information or support that may be provided by TI. Buyer represents and agrees that it has all the necessary expertise to create and implement safeguards which anticipate dangerous consequences of failures, monitor failures and their consequences, lessen the likelihood of failures that might cause harm and take appropriate remedial actions. Buyer will fully indemnify TI and its representatives against any damages arising out of the use of any TI components in safety-critical applications.

In some cases, TI components may be promoted specifically to facilitate safety-related applications. With such components, TI's goal is to help enable customers to design and create their own end-product solutions that meet applicable functional safety standards and requirements. Nonetheless, such components are subject to these terms.

No TI components are authorized for use in FDA Class III (or similar life-critical medical equipment) unless authorized officers of the parties have executed a special agreement specifically governing such use.

Only those TI components which TI has specifically designated as military grade or "enhanced plastic" are designed and intended for use in military/aerospace applications or environments. Buyer acknowledges and agrees that any military or aerospace use of TI components which have **not** been so designated is solely at the Buyer's risk, and that Buyer is solely responsible for compliance with all legal and regulatory requirements in connection with such use.

TI has specifically designated certain components as meeting ISO/TS16949 requirements, mainly for automotive use. In any case of use of non-designated products, TI will not be responsible for any failure to meet ISO/TS16949.

### Products

|                              |  |
|------------------------------|--|
| Audio                        | <a href="http://www.ti.com/audio">www.ti.com/audio</a>                               |
| Amplifiers                   | <a href="http://amplifier.ti.com">amplifier.ti.com</a>                               |
| Data Converters              | <a href="http://dataconverter.ti.com">dataconverter.ti.com</a>                       |
| DLP® Products                | <a href="http://www.dlp.com">www.dlp.com</a>   |
| DSP                          | <a href="http://dsp.ti.com">dsp.ti.com</a>   |
| Clocks and Timers            | <a href="http://www.ti.com/clocks">www.ti.com/clocks</a>                             |
| Interface                    | <a href="http://interface.ti.com">interface.ti.com</a>                               |
| Logic                        | <a href="http://logic.ti.com">logic.ti.com</a>                                       |
| Power Mgmt                   | <a href="http://power.ti.com">power.ti.com</a>                                       |
| Microcontrollers             | <a href="http://microcontroller.ti.com">microcontroller.ti.com</a>                   |
| RFID                         | <a href="http://www.ti-rfid.com">www.ti-rfid.com</a>                                 |
| OMAP Applications Processors | <a href="http://www.ti.com/omap">www.ti.com/omap</a>                                 |
| Wireless Connectivity        | <a href="http://www.ti.com/wirelessconnectivity">www.ti.com/wirelessconnectivity</a> |

### Applications

|                               |  |
|-------------------------------|--|
| Automotive and Transportation | <a href="http://www.ti.com/automotive">www.ti.com/automotive</a>                         |
| Communications and Telecom    | <a href="http://www.ti.com/communications">www.ti.com/communications</a>                 |
| Computers and Peripherals     | <a href="http://www.ti.com/computers">www.ti.com/computers</a>                           |
| Consumer Electronics          | <a href="http://www.ti.com/consumer-apps">www.ti.com/consumer-apps</a>                   |
| Energy and Lighting           | <a href="http://www.ti.com/energy">www.ti.com/energy</a>                                 |
| Industrial                    | <a href="http://www.ti.com/industrial">www.ti.com/industrial</a>                         |
| Medical                       | <a href="http://www.ti.com/medical">www.ti.com/medical</a>                               |
| Security                      | <a href="http://www.ti.com/security">www.ti.com/security</a>                             |
| Space, Avionics and Defense   | <a href="http://www.ti.com/space-avionics-defense">www.ti.com/space-avionics-defense</a> |
| Video and Imaging             | <a href="http://www.ti.com/video">www.ti.com/video</a>                                   |

### TI E2E Community

[e2e.ti.com](http://e2e.ti.com)