

**Product Bulletin Q4-2001**

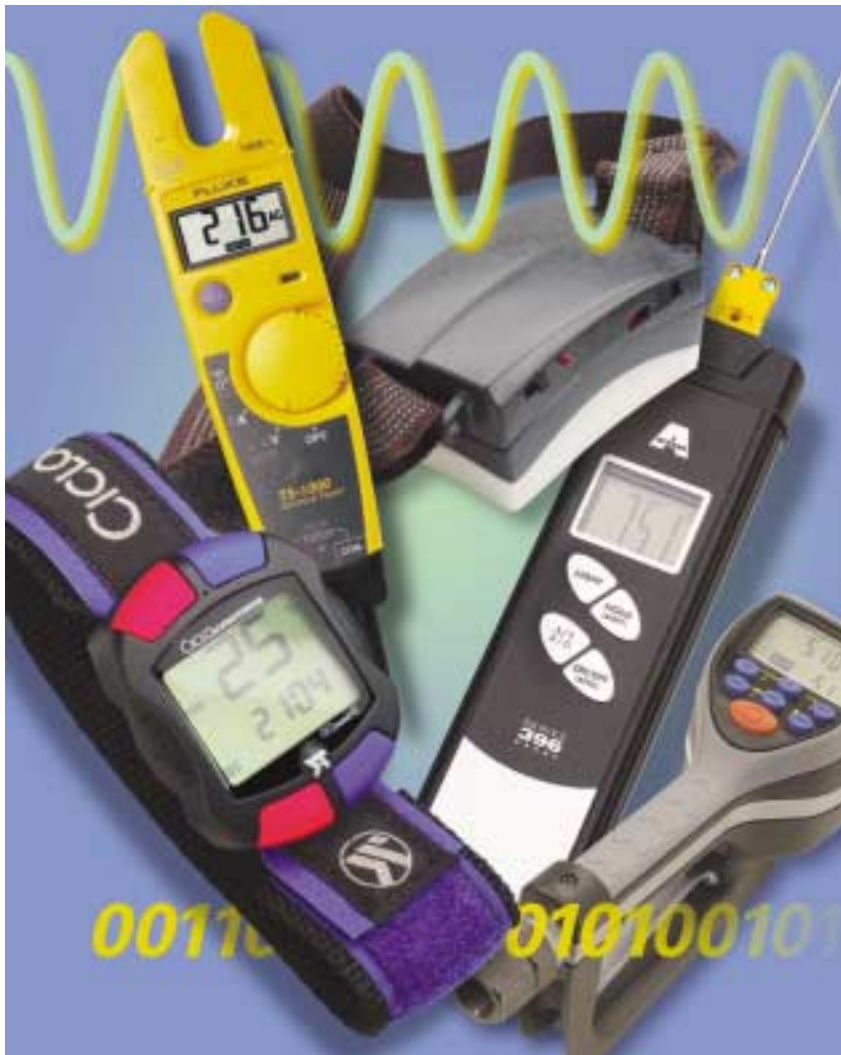
# MSP430 Ultra-Low-Power Microcontrollers—The Solution for Battery-Powered Measurement

The MSP430 family of ultra-low-power 16-bit RISC mixed-signal processors from Texas Instruments (TI) provides the ultimate solution for battery-powered measurement applications. For low-power applications where both analog and digital signal processing are required, the MSP430 line provides

a range of exceptional cost/performance options. Using its leadership in both mixed-signal and digital technologies, TI has created the MSP430 family which enables system designers to simultaneously interface to analog signals, sensors and digital components while maintaining unmatched low power.

**Key Features**

- Ultra-low-power architecture extends battery life
  - 0.1 $\mu$ A RAM retention
  - 0.8 $\mu$ A real-time clock mode
  - 250 $\mu$ A / MIPS active
- High-performance analog ideal for precise measurement
- Modern 16-bit RISC CPU enables new applications at a fraction of the code size
- In-system programmable Flash permits flexible code changes, field upgrades and data logging
- Complete integrated development environment starting at \$49
- Device pricing starting at \$0.99


**Applications**

When battery life, processing power and hardware flexibility are major design concerns, TI's MSP430 family offers an unbeatable combination of features.

The MSP430 family is suitable for applications such as:

- *Utility metering—  
gas, water, electric, heat allocators, thermostats*
- *Portable instrumentation—  
glucose meters, heart-rate monitors, thermometers, multi-meters, weight scales*
- *Intelligent sensing—  
security systems, smoke detectors, electronic tags*

The MSP430 line of ultra-low-power microcontrollers offers solutions that enable product ideas to become reality.

## MSP430 Architecture

Using a von-Neumann common memory address bus (MAB) and memory data bus (MDB), a 16-bit RISC CPU, peripherals and flexible clock system are combined.

Partnering a modern CPU with modular memory-mapped analog and digital peripherals, the MSP430 offers solutions for today's and tomorrow's mixed-signal applications.

### Memory Options

- Flash, ROM, OTP versions (from 1 kB to 60 kB)
- RAM up to 2 kB

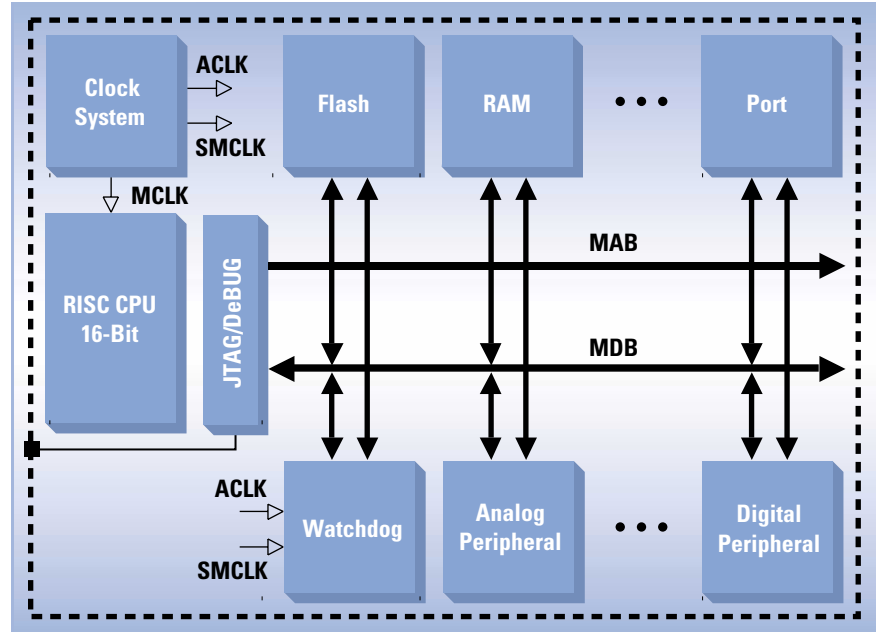
### Analog Peripherals

- High-performance ADC
- Comparator
- LCD driver
- Supply Voltage Supervisor (SVS)

### Digital Peripherals

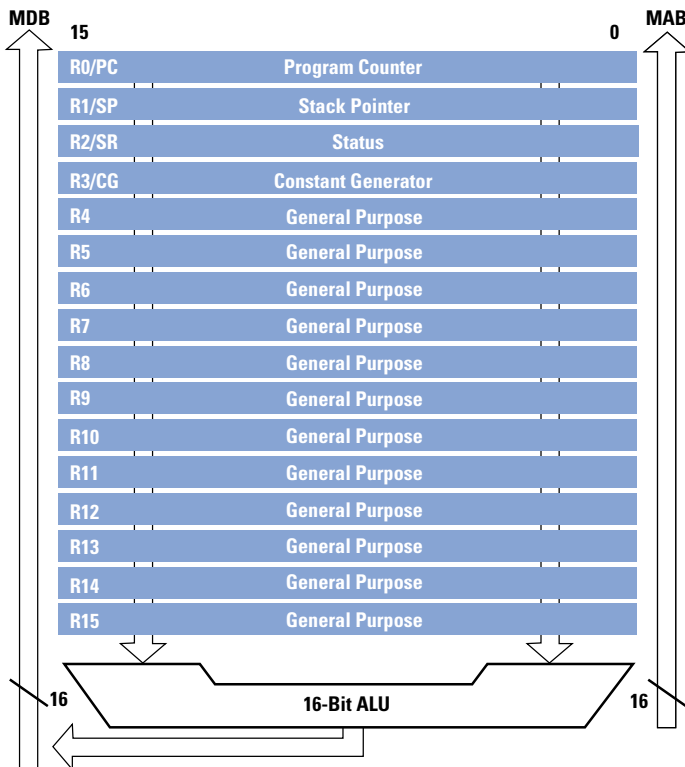
- USART
- Hardware multiplier
- 16-bit and 8-bit timers

## In-Circuit Programmable MSP430 Flash



MSP430 von-Neumann architecture — all program, data memory and peripherals share a common bus structure. Consistent CPU instructions and addressing modes are used.

## MSP430 Modern Orthogonal 16-Bit RISC CPU



The MSP430 CPU core with sixteen 16-bit registers, 27 single-cycle instructions and seven addressing modes results in higher processing efficiency and code density.

## Modern 16-Bit RISC CPU

- Large register file eliminates accumulator bottleneck
- Optimized for C and assembler programming
- Compact core design reduces power and cost
- Up to 8 MIPS of performance available

The MSP430's orthogonal architecture provides the flexibility of 16 fully addressable single-cycle 16-bit CPU registers and the power of a RISC instruction set. The modern design of the CPU offers versatility through simplicity using only 27 easy-to-understand instructions and seven consistent-addressing modes. This results in a 16-bit CPU that is more processing effective, consumes little power, is smaller and more code efficient. New ultra-low-power high-performance applications are now possible—developed rapidly at a fraction of the code size.

### Flexible Clock System

- Low frequency auxiliary clock
  - Ultra-low-power stand-by mode
- High-speed master clock
  - High-performance processing
- Stability over time and temperature

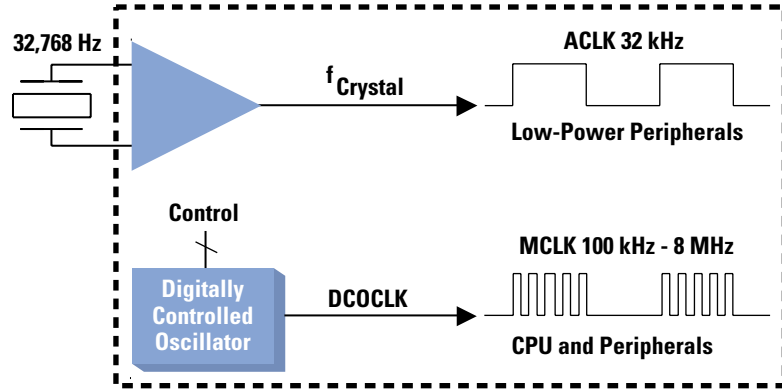
The MSP430 clock system is designed specifically for battery-powered applications. Multiple oscillators are utilized to support event driven burst activity. A low frequency Auxiliary Clock (ACLK) is driven directly from a common 32-kHz watch crystal—with no additional external components. The ACLK can be used for a background real-time clock self wake-up function. An integrated high-speed Digitally Controlled Oscillator (DCO) can source the master clock which is used by the CPU and high-speed peripherals. By design, the DCO is active and stable in less than 6  $\mu$ s. MSP430 based solutions efficiently use 16-bit RISC high-performance in very short burst intervals. This results in very high-performance and ultra-low power consumption.

### High-Performance Analog

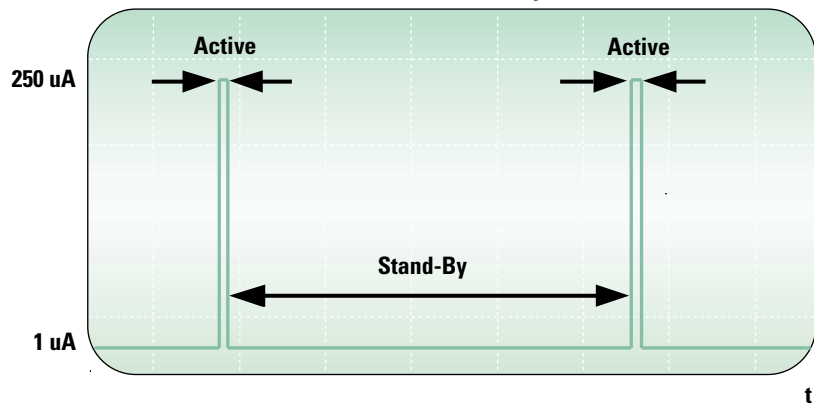
- 12-bit or 10-bit fast SAR ADC
- 14-bit hi-res SAR ADC
- 16-bit slope ADC

Several high-performance data converter solutions are available in the MSP430 family. Innovative comparator-gated timers are available on all devices for high-resolution slope type conversions. This is ideal for measuring resistive sensors such as thermistors when coupled with a capacitor. A fast 200-kcps+ 12-bit ADC with very high-integration is available on the MSP430F13x/14x/43x/44x and is ideal for demanding applications such as electricity meters and digital motor control. MSP430x32x derivatives offer a 14-bit ADC with a programmable current source.

### Multiple Oscillator Clock System

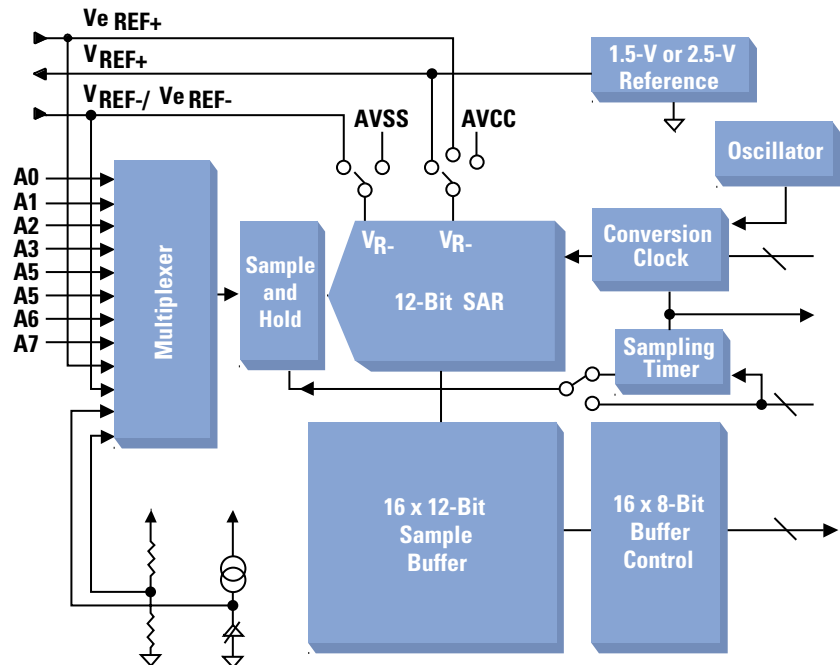


### Ultra-Low-Power Activity Profile



Ultra-fast 6 $\mu$ s DCO start-up allows MSP430 systems to remain in low-power modes for the longest possible interval—extending battery life. The DCO is fully user programmable.

### ADC12



ADC12 with 200 kcps+, auto-scan,  $V_{REF}$ , temperature sensor, and programmable sample and hold intervals.

### **MSP-FET430 Flash Emulation Tool**

- JTAG based real-time in-system emulation
- Target board, interface box, cable and samples
- CD-Rom includes Kickstart IDE, assembler, linker, simulator and 2-kB C-compiler

The Flash Emulation Tool (FET) supports complete in-system development and is available for all MSP430F1xx and MSP430F4xx Flash devices. Programming, assembler/C-source level debug, single stepping, multiple hardware breakpoints, full-speed operation and peripheral access are all fully supported in-system using JTAG. The FET comes complete with everything required to complete an entire project.

### **MSP-EVKS330/320 Evaluation Kit**

For MSP430x3xx devices, evaluation kits (EVK) are available for basic development and evaluation. EVKs include two UV erasable prototyping devices, a target board and a programmer—all software and documentation is included on a CD-ROM. For professional MSP430x3xx development, in-circuit emulators are available from Hitex.

### **MSP-PRGS430 Universal Programmer**

The MSP-PRGS430 is a universal Flash, OTP or UV device programmer. Control of the programmer is provided through a PC serial port connection. Devices are programmed either stand-alone or in-system using a JTAG connection.

Visit our web site for documentation, downloadable code, software updates and complete information on TI and third party support.  
[www.ti.com/sc/msp430](http://www.ti.com/sc/msp430)



| TI IDE                      | Product Family | Price <sup>1</sup> |
|-----------------------------|----------------|--------------------|
| MSP-FET430X110              | MSP430x11x     | \$ 49              |
| MSP-FET430P120              | MSP430x12x     | \$ 99              |
| MSP-FET430P140              | MSP430x13x/14x | \$ 99              |
| MSP-FET430P410              | MSP430x41x     | \$ 99              |
| MSP-FET430P440 <sup>2</sup> | MSP430x43x/44x | \$ 99              |
| MSP-EVK430S320              | MSP430x31x/32x | \$ 399             |
| MSP-EVK430S330              | MSP430x33x     | \$ 399             |
| MSP-PRGS430                 | All            | \$ 199             |

<sup>1</sup>Price per unit in U.S. dollars. <sup>2</sup>Planned release Q1 2002.



### **IAR MSP430 C-Compiler**

Baseline and full C-Compiler versions are available from IAR as enhancements to the 2-kB C-compiler included with TI's MSP430 tools.

[www.iar.com](http://www.iar.com)



### **Hitex MSP430 ICE**

With the Dprobe430, Hitex offers a modular emulation system, specifically designed to develop, test and optimize MSP430x3xx/ MSP430x1xx applications.

[www.hitex.com](http://www.hitex.com)

## MSP430 Product Selection Guide

| (C)ROM (E)UV<br>(F) Flash<br>(P)OTP              | Temp<br>Range <sup>1</sup> | Pins/<br>Pkg  | Program | SRAM | I/O | Vcc       | LCD<br>Seg | Basic<br>Timer<br>(2) 8-Bit | Watchdog<br>16-Bit | Interval<br>Timer<br>8-Bit | Timer/<br>Port<br>(2) 8-Bit | Timer_A<br>16-Bit | Timer_B<br>16-Bit | USART | MPY | Comp_A | ADC   | Price <sup>2</sup> |
|--------------------------------------------------|----------------------------|---------------|---------|------|-----|-----------|------------|-----------------------------|--------------------|----------------------------|-----------------------------|-------------------|-------------------|-------|-----|--------|-------|--------------------|
| <b>Flash Based F1xx Family</b>                   |                            |               |         |      |     |           |            |                             |                    |                            |                             |                   |                   |       |     |        |       |                    |
| MSP430F1101                                      | I                          | 20 DW,PW      | 1 kB    | 128  | 14  | 1.8 - 3.6 | -          | -                           | X                  | -                          | -                           | X                 | -                 | -     | -   | X      | slope | \$0.99             |
| MSP430F1111                                      | I                          | 20 DW,PW      | 2 kB    | 128  | 14  | 1.8 - 3.6 | -          | -                           | X                  | -                          | -                           | X                 | -                 | -     | -   | X      | slope | \$1.34             |
| MSP430C1111                                      | I                          | 20 DW,PW      | 2 kB    | 128  | 14  | 1.8 - 3.6 | -          | -                           | X                  | -                          | -                           | X                 | -                 | -     | -   | X      | slope | \$1.23             |
| MSP430F1121                                      | I                          | 20 DW,PW, DGV | 4 kB    | 256  | 14  | 1.8 - 3.6 | -          | -                           | X                  | -                          | -                           | X                 | -                 | -     | -   | X      | slope | \$1.74             |
| MSP430C1121                                      | I                          | 20 DW,PW, DGV | 4 kB    | 256  | 14  | 1.8 - 3.6 | -          | -                           | X                  | -                          | -                           | X                 | -                 | -     | -   | X      | slope | \$1.47             |
| MSP430P112                                       | I                          | 20 DW,PW      | 4 kB    | 256  | 14  | 2.7 - 5.5 | -          | -                           | X                  | -                          | -                           | X                 | -                 | -     | -   | -      | slope | \$2.33             |
| PMS430E112                                       | 25C                        | 20 CDIP       | 4 kB    | 256  | 14  | 2.7 - 5.5 | -          | -                           | X                  | -                          | -                           | X                 | -                 | -     | -   | -      | slope | \$49.00            |
| MSP430F1122 <sup>4</sup>                         | I                          | 20 DW,PW      | 4 kB    | 256  | 14  | 1.8 - 3.6 | -          | -                           | X                  | -                          | -                           | X                 | -                 | -     | -   | -      | ADC10 | \$2.24             |
| MSP430F1132 <sup>4</sup>                         | I                          | 20 DW,PW      | 8 kB    | 256  | 14  | 1.8 - 3.6 | -          | -                           | X                  | -                          | -                           | X                 | -                 | -     | -   | -      | ADC10 | \$2.48             |
| MSP430F122                                       | I                          | 28 DW,PW      | 4 kB    | 256  | 22  | 1.8 - 3.6 | -          | -                           | X                  | -                          | -                           | X                 | -                 | 1     | -   | X      | slope | \$2.39             |
| MSP430F123                                       | I                          | 28 DW,PW      | 8 kB    | 256  | 22  | 1.8 - 3.6 | -          | -                           | X                  | -                          | -                           | X                 | -                 | 1     | -   | X      | slope | \$2.51             |
| MSP430F1222 <sup>4</sup>                         | I                          | 28 DW,PW      | 4 kB    | 256  | 22  | 1.8 - 3.6 | -          | -                           | X                  | -                          | -                           | X                 | -                 | 1     | -   | -      | ADC10 | \$2.62             |
| MSP430F1232 <sup>4</sup>                         | I                          | 28 DW,PW      | 8 kB    | 256  | 22  | 1.8 - 3.6 | -          | -                           | X                  | -                          | -                           | X                 | -                 | 1     | -   | -      | ADC10 | \$2.79             |
| MSP430F133                                       | I                          | 64 PM         | 8 kB    | 256  | 48  | 1.8 - 3.6 | -          | -                           | X                  | -                          | -                           | X                 | X                 | 1     | -   | X      | ADC12 | \$2.96             |
| MSP430F135                                       | I                          | 64 PM         | 16 kB   | 512  | 48  | 1.8 - 3.6 | -          | -                           | X                  | -                          | -                           | X                 | X                 | 1     | -   | X      | ADC12 | \$3.55             |
| MSP430C1331                                      | I                          | 64 PM         | 8 kB    | 256  | 48  | 1.8 - 3.6 | -          | -                           | X                  | -                          | -                           | X                 | X                 | 1     | -   | X      | slope | \$1.95             |
| MSP430C1351                                      | I                          | 64 PM         | 16 kB   | 512  | 48  | 1.8 - 3.6 | -          | -                           | X                  | -                          | -                           | X                 | X                 | 1     | -   | X      | slope | \$2.25             |
| MSP430F147                                       | I                          | 64 PM         | 32 kB   | 1024 | 48  | 1.8 - 3.6 | -          | -                           | X                  | -                          | -                           | X                 | X                 | 2     | X   | X      | ADC12 | \$4.95             |
| MSP430F148                                       | I                          | 64 PM         | 48 kB   | 2048 | 48  | 1.8 - 3.6 | -          | -                           | X                  | -                          | -                           | X                 | X                 | 2     | X   | X      | ADC12 | \$5.65             |
| MSP430F149                                       | I                          | 64 PM, PAG    | 60 kB   | 2048 | 48  | 1.8 - 3.6 | -          | -                           | X                  | -                          | -                           | X                 | X                 | 2     | X   | X      | ADC12 | \$5.95             |
| <b>Flash Based F4xx Family with LCD Driver</b>   |                            |               |         |      |     |           |            |                             |                    |                            |                             |                   |                   |       |     |        |       |                    |
| MSP430F412                                       | I                          | 64 PM         | 4 kB    | 256  | 48  | 1.8 - 3.6 | 96         | X                           | X                  | -                          | -                           | X                 | -                 | -     | -   | X      | slope | \$2.55             |
| MSP430C412 <sup>4</sup>                          | I                          | 64 PM         | 4 kB    | 256  | 48  | 1.8 - 3.6 | 96         | X                           | X                  | -                          | -                           | X                 | -                 | -     | -   | X      | slope | \$1.90             |
| MSP430F413                                       | I                          | 64 PM         | 8 kB    | 256  | 48  | 1.8 - 3.6 | 96         | X                           | X                  | -                          | -                           | X                 | -                 | -     | -   | X      | slope | \$2.90             |
| MSP430C413 <sup>4</sup>                          | I                          | 64 PM         | 8 kB    | 256  | 48  | 1.8 - 3.6 | 96         | X                           | X                  | -                          | -                           | X                 | -                 | -     | -   | X      | slope | \$2.10             |
| MSP430F435 <sup>3</sup>                          | I                          | 80 PN, 100 PZ | 16 kB   | 512  | 48  | 1.8 - 3.6 | 160        | X                           | X                  | -                          | -                           | X                 | X                 | 1     | -   | X      | ADC12 | \$4.40             |
| MSP430F436 <sup>3</sup>                          | I                          | 80 PN, 100 PZ | 24 kB   | 1024 | 48  | 1.8 - 3.6 | 160        | X                           | X                  | -                          | -                           | X                 | X                 | 1     | -   | X      | ADC12 | \$4.65             |
| MSP430F437 <sup>3</sup>                          | I                          | 80 PN, 100 PZ | 32 kB   | 1024 | 48  | 1.8 - 3.6 | 160        | X                           | X                  | -                          | -                           | X                 | X                 | 1     | -   | X      | ADC12 | \$4.85             |
| MSP430F447 <sup>3</sup>                          | I                          | 100 PZ        | 32 kB   | 1024 | 48  | 1.8 - 3.6 | 160        | X                           | X                  | -                          | -                           | X                 | X                 | 2     | X   | X      | ADC12 | \$5.65             |
| MSP430F448 <sup>3</sup>                          | I                          | 100 PZ        | 48 kB   | 2048 | 48  | 1.8 - 3.6 | 160        | X                           | X                  | -                          | -                           | X                 | X                 | 2     | X   | X      | ADC12 | \$6.40             |
| MSP430F449 <sup>3</sup>                          | I                          | 100 PZ        | 60 kB   | 2048 | 48  | 1.8 - 3.6 | 160        | X                           | X                  | -                          | -                           | X                 | X                 | 2     | X   | X      | ADC12 | \$6.95             |
| <b>ROM/OTP Based X3xx Family with LCD Driver</b> |                            |               |         |      |     |           |            |                             |                    |                            |                             |                   |                   |       |     |        |       |                    |
| MSP430C311S                                      | I                          | 48DL          | 2 kB    | 128  | 11  | 2.5 - 5.5 | 64         | X                           | X                  | X                          | X                           | -                 | -                 | -     | -   | -      | slope | \$1.99             |
| MSP430P315S                                      | I                          | 48DL          | 16 kB   | 512  | 11  | 2.7 - 5.5 | 64         | X                           | X                  | X                          | X                           | -                 | -                 | -     | -   | -      | slope | \$5.16             |
| MSP430C312                                       | I                          | 56 DL         | 4 kB    | 256  | 14  | 2.5 - 5.5 | 92         | X                           | X                  | X                          | X                           | -                 | -                 | -     | -   | -      | slope | \$2.40             |
| MSP430C313                                       | I                          | 56 DL         | 8 kB    | 256  | 14  | 2.5 - 5.5 | 92         | X                           | X                  | X                          | X                           | -                 | -                 | -     | -   | -      | slope | \$2.61             |
| MSP430C314                                       | I                          | 56 DL         | 12 kB   | 512  | 14  | 2.5 - 5.5 | 92         | X                           | X                  | X                          | X                           | -                 | -                 | -     | -   | -      | slope | \$2.82             |
| MSP430C315                                       | I                          | 56 DL         | 16 kB   | 512  | 14  | 2.5 - 5.5 | 92         | X                           | X                  | X                          | X                           | -                 | -                 | -     | -   | -      | slope | \$3.04             |
| MSP430P315                                       | I                          | 56 DL         | 16 kB   | 512  | 14  | 2.7 - 5.5 | 92         | X                           | X                  | X                          | X                           | -                 | -                 | -     | -   | -      | slope | \$5.16             |
| PMS430E315                                       | 25C                        | 68 FZ         | 16 kB   | 512  | 14  | 2.7 - 5.5 | 92         | X                           | X                  | X                          | X                           | -                 | -                 | -     | -   | -      | slope | \$99.00            |
| MSP430C323                                       | I                          | 64 PM, FN, PG | 8 kB    | 256  | 14  | 2.5 - 5.5 | 84         | X                           | X                  | X                          | X                           | -                 | -                 | -     | -   | -      | ADC14 | \$5.23             |
| MSP430C325                                       | I                          | 64 PM, FN, PG | 16 kB   | 512  | 14  | 2.5 - 5.5 | 84         | X                           | X                  | X                          | X                           | -                 | -                 | -     | -   | -      | ADC14 | \$5.53             |
| MSP430P325A                                      | I                          | 64 PM, FN, PG | 16 kB   | 512  | 14  | 2.5 - 5.5 | 84         | X                           | X                  | X                          | X                           | -                 | -                 | -     | -   | -      | ADC14 | \$6.87             |
| PMS430E325A                                      | 25C                        | 68 FZ         | 16 kB   | 512  | 14  | 2.5 - 5.5 | 84         | X                           | X                  | X                          | X                           | -                 | -                 | -     | -   | -      | ADC14 | \$99.00            |
| MSP430C336                                       | I                          | 100 PJM       | 24 kB   | 1024 | 40  | 2.5 - 5.5 | 120        | X                           | X                  | X                          | X                           | X                 | -                 | 1     | X   | -      | slope | \$6.10             |
| MSP430C337                                       | I                          | 100 PJM       | 32 kB   | 1024 | 40  | 2.5 - 5.5 | 120        | X                           | X                  | X                          | X                           | X                 | -                 | 1     | X   | -      | slope | \$6.38             |
| MSP430P337A                                      | I                          | 100 PJM       | 32 kB   | 1024 | 40  | 2.5 - 5.5 | 120        | X                           | X                  | X                          | X                           | X                 | -                 | 1     | X   | -      | slope | \$7.53             |
| PMS430E337A                                      | 25C                        | 100 PZ        | 32 kB   | 1024 | 40  | 2.5 - 5.5 | 120        | X                           | X                  | X                          | X                           | X                 | -                 | 1     | X   | -      | slope | \$99.00            |

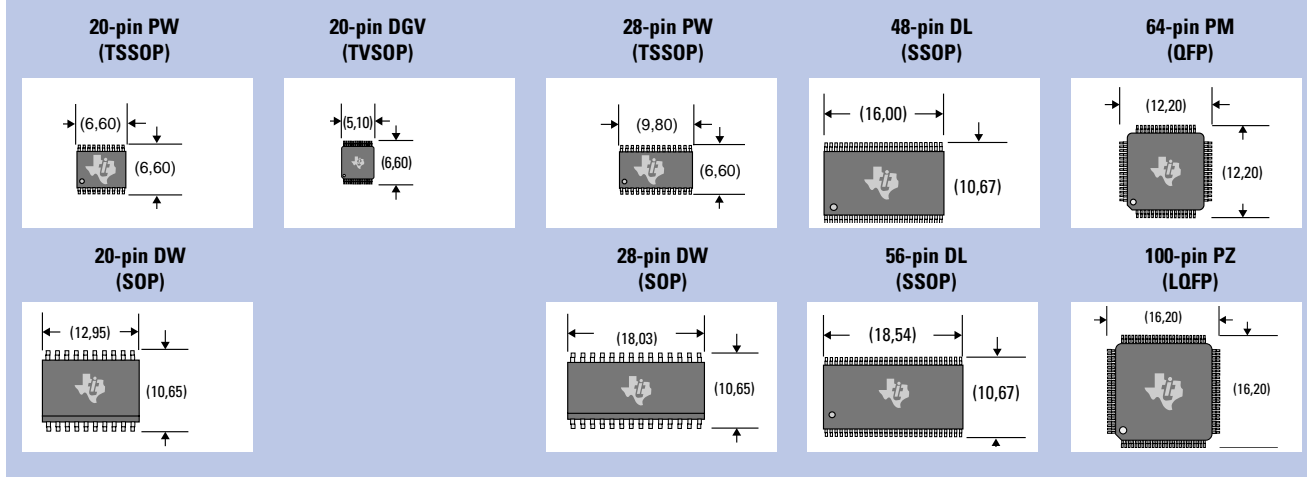
<sup>1</sup> I = Industrial.

<sup>2</sup> Suggested 10,000 unit resale price in U.S. dollars.

<sup>3</sup> Planned release Q1 2002.

<sup>4</sup> Planned release Q2 2002.

## Selected Package Options for MSP430 Devices



All dimensions in millimeters.

## TI Worldwide Technical Support

### Internet

#### TI Semiconductor Product Information Center Home Page

[www.ti.com/sc/support](http://www.ti.com/sc/support)

#### TI Semiconductor KnowledgeBase Home Page

[www.ti.com/sc/knowledgebase](http://www.ti.com/sc/knowledgebase)

### Product Information Centers

#### Americas

Phone +1(972) 644-5580  
 Fax +1(214) 480-7800  
 Internet [www.ti.com/sc/ampic](http://www.ti.com/sc/ampic)

#### Europe, Middle East, and Africa

Phone  
 Belgium (English) +32 (0) 27 45 55 32  
 France +33 (0) 1 30 70 11 64  
 Germany +49 (0) 8161 80 33 11  
 Israel (English) 1800 949 0107  
 Italy 800 79 11 37  
 Netherlands (English) +31 (0) 546 87 95 45  
 Spain +34 902 35 40 28  
 Sweden (English) +46 (0) 8587 555 22  
 United Kingdom +44 (0) 1604 66 33 99  
 Fax +(49) (0) 8161 80 2045  
 Email [epic@ti.com](mailto:epic@ti.com)  
 Internet [www.ti.com/sc/epic](http://www.ti.com/sc/epic)

#### Japan

Fax International +81-3-3344-5317  
 Domestic 0120-81-0036  
 Internet International [www.ti.com/sc/jpic](http://www.ti.com/sc/jpic)  
 Domestic [www.tij.co.jp/pic](http://www.tij.co.jp/pic)

#### Asia

Phone  
 International +886-2-23786800  
 Domestic Local Access Code TI Number  
 Australia 1-800-881-011 -800-800-1450  
 China 108-00-886-0015 -  
 Hong Kong 800-96-1111 -800-800-1450  
 India 000-117 -800-800-1450  
 Indonesia 001-801-10 -800-800-1450  
 Korea 080-551-2804 -  
 Malaysia 1-800-800-011 -800-800-1450  
 New Zealand 000-911 -800-800-1450  
 Philippines 105-11 -800-800-1450  
 Singapore 800-0111-111 -800-800-1450  
 Taiwan 0800-006800 -  
 Thailand 0019-991-1111 -800-800-1450  
 Fax 886-2-2378-6808  
 Email [tiasia@ti.com](mailto:tiasia@ti.com)  
 Internet [www.ti.com/sc/apic](http://www.ti.com/sc/apic)

**Important Notice:** The products and services of Texas Instruments Incorporated and its subsidiaries described herein are sold subject to TI's standard terms and conditions of sale. Customers are advised to obtain the most current and complete information about TI products and services before placing orders. TI assumes no liability for applications assistance, customer's applications or product designs, software performance, or infringement of patents. The publication of information regarding any other company's products or services does not constitute TI's approval, warranty or endorsement thereof.

B092401

The red/black banner is a trademark of Texas Instruments.  
 All other trademarks are the property of their respective owners.  
 The CCHAC4 is used with permission from CicloSport.  
 The VersaTuff 396 is used with permission from Atkins Tempotec.  
 The Fluke T5-1000 is used with permission from Fluke Corporation.  
 The EPM is used with permission from Badger Meter, Inc.  
 The ARES is used with permission from Advanced Brain Monitoring, Inc.



© 2001 Texas Instruments Incorporated  
 Printed in the U.S.A. by Corporate Press Inc.

♻️ Printed on recycled paper.

SLAB034C