

# Stellaris® LM3S2965 Evaluation Board

## User's Manual



---

# Copyright

Copyright © 2007–2010 Texas Instruments, Inc. All rights reserved. Stellaris and StellarisWare are registered trademarks of Texas Instruments. ARM and Thumb are registered trademarks, and Cortex is a trademark of ARM Limited. Other names and brands may be claimed as the property of others.

Texas Instruments  
108 Wild Basin, Suite 350  
Austin, TX 78746  
<http://www.ti.com/stellaris>



# Table of Contents

|   |           |
|---|-----------|
| <b>Chapter 1: Stellaris® LM3S2965 Evaluation Board</b> .....  | <b>7</b>  |
| Features .....  | 8         |
| Block Diagram .....   | 9         |
| Evaluation Kit Contents .....                                 | 10        |
| Evaluation Board Specifications .....                         | 10        |
| CAN Device Board Specifications .....                         | 10        |
| Features of the LM3S2965 Microcontroller .....                | 10        |
| <b>Chapter 2: Hardware Description</b> .....                  | <b>13</b> |
| LM3S2965 Evaluation Board .....                               | 13        |
| LM3S2965 Microcontroller Overview .....                       | 13        |
| CAN Module .....  | 13        |
| Clocking .....  | 13        |
| Reset .....   | 13        |
| Power Supplies .....  | 14        |
| Debugging .....   | 14        |
| USB Functions .....   | 15        |
| USB Overview .....  | 15        |
| USB to JTAG/SWD .....   | 15        |
| Virtual COM Port .....  | 15        |
| Serial Wire Out .....   | 15        |
| Organic LED Display .....                                     | 15        |
| Features .....  | 15        |
| Control Interface .....                                       | 16        |
| Power Supply .....  | 16        |
| Design Guidelines .....                                       | 16        |
| Further Reference .....                                       | 16        |
| Other Peripherals .....                                       | 16        |
| Speaker .....   | 16        |
| Push Switches .....   | 16        |
| User LED .....  | 16        |
| Bypassing Peripherals .....                                   | 16        |
| Interfacing to the EVB .....                                  | 17        |
| Using the In-Circuit Debugger Interface .....                 | 17        |
| <b>Chapter 3: CAN Device Board Hardware Description</b> ..... | <b>19</b> |
| Device Overview .....   | 19        |
| Power Supply .....  | 19        |
| Programming and Debugging .....                               | 19        |
| Interfacing .....   | 19        |
| <b>Appendix A: Schematics</b> .....                           | <b>21</b> |
| <b>Appendix B: Connection Details</b> .....                   | <b>27</b> |
| Component Locations .....                                     | 27        |
| Evaluation Board Dimensions .....                             | 28        |

---

|                              |    |
|------------------------------|----|
| I/O Breakout Pads .....      | 29 |
| Recommended Connectors ..... | 30 |
| ARM Target Pinout .....      | 31 |
| References .....             | 31 |

## List of Figures

|  |    |
|--|----|
| Figure 1-1. Stellaris LM3S2965 Evaluation Board Layout ..... | 7  |
| Figure 1-2. Stellaris LM3S2110 CAN Device Board .....        | 8  |
| Figure 1-3. LM3S2965 Evaluation Board Block Diagram .....    | 9  |
| Figure 1-4. LM3S2110 CAN Device Board Block Diagram .....    | 9  |
| Figure 2-1. ICD Interface Mode .....                         | 18 |
| Figure B-1. Component Locations .....                        | 27 |
| Figure B-2. LM3S2965 Evaluation Board Dimensions .....       | 28 |
| Figure B-3. LM3S2110 CAN Device Board Dimensions .....       | 28 |
| Figure B-4. LM3S2110 CAN Device Board Connections .....      | 30 |

---

## List of Tables

|   |    |
|---|----|
| Table 2-1. Stellaris LM3S2965 Evaluation Board Hardware Debugging Configurations..... | 14 |
| Table 2-2. Isolating On-Board Hardware.....   | 17 |
| Table B-1. I/O Breakout Pads.....   | 29 |
| Table B-2. Recommended Connectors.....  | 30 |
| Table B-3. 20-Pin JTAG/SWD Configuration.....   | 31 |

## Stellaris® LM3S2965 Evaluation Board

The Stellaris® LM3S2965 Evaluation Board is a compact and versatile evaluation platform for the Stellaris LM3S2965 ARM® Cortex™-M3-based microcontroller. The evaluation kit demonstrates a complete controller area network (CAN) using two Stellaris microcontrollers. The main evaluation board (EVB) configures a Stellaris LM3S2965 microcontroller as a CAN host. A small CAN device board, linked with a ribbon cable, uses a Stellaris LM3S2110 microcontroller. The function of each board is fully configurable in software.

You can use the board either as an evaluation platform or as a low-cost in-circuit debug interface (ICDI). In debug interface mode, the on-board microcontroller is bypassed, allowing for programming or debugging of an external target. The kit is also compatible with high-performance external JTAG debuggers.

This evaluation kit enables quick evaluation, prototype development, and creation of application-specific designs for CAN. The kit also includes extensive source-code examples, allowing you to start building C code applications quickly.

**Figure 1-1. Stellaris LM3S2965 Evaluation Board Layout**

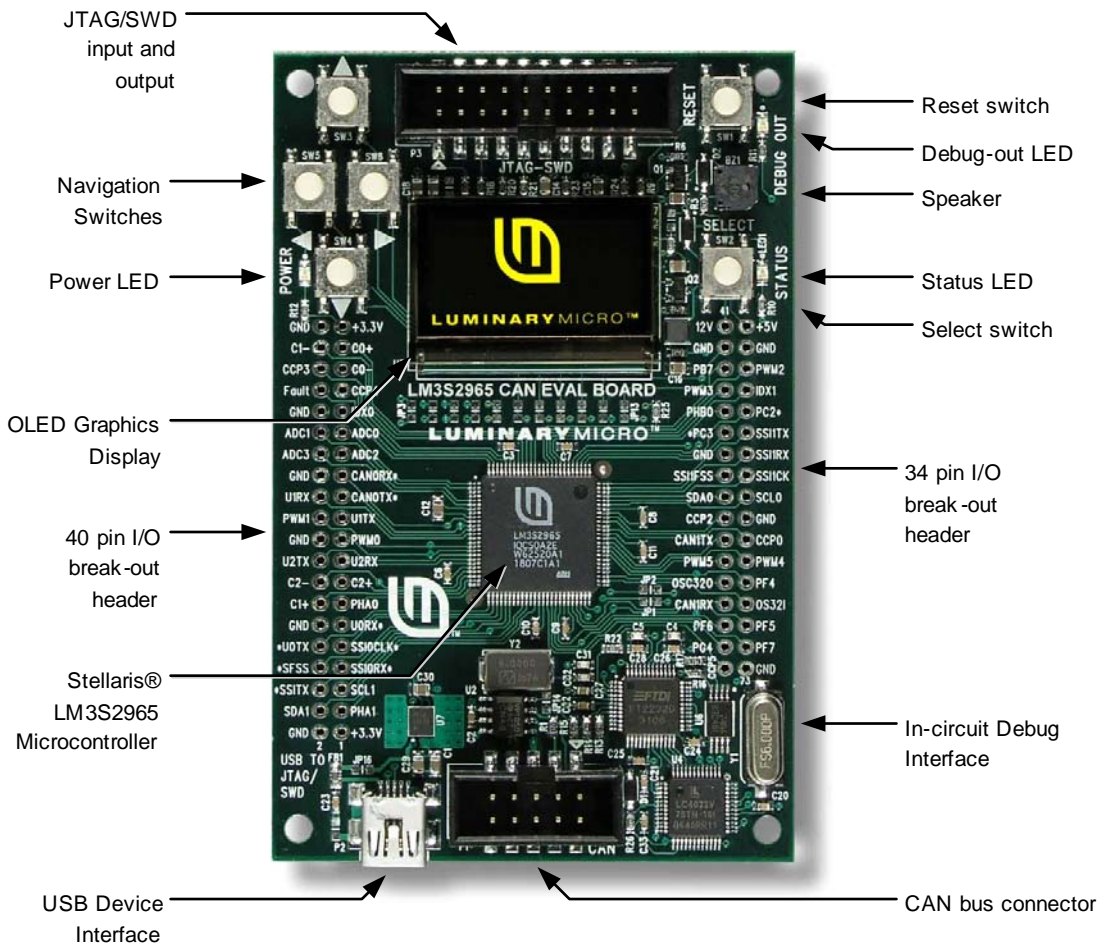
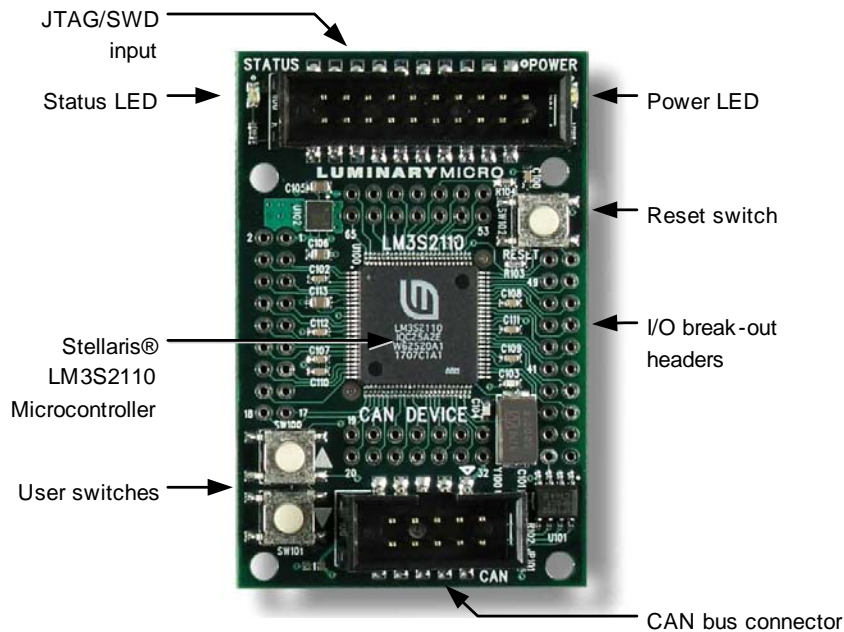


Figure 1-2. Stellaris LM3S2110 CAN Device Board



## Features

The Stellaris LM3S2965 Evaluation Kit includes the following features:

- Stellaris LM3S2965 microcontroller with fully-integrated CAN module
- Standalone CAN device board using Stellaris LM3S2110 microcontroller
- Simple setup; USB cable provides serial communication, debugging, and power
- OLED graphics display with 128 x 96 pixel resolution
- User LED, navigation switches, and select pushbuttons
- Magnetic speaker
- LM3S2965 I/O available on labeled break-out pads
- Standard ARM® 20-pin JTAG debug connector with input and output modes
- USB interface for debugging and power supply



# Block Diagram

Figure 1-3. LM3S2965 Evaluation Board Block Diagram

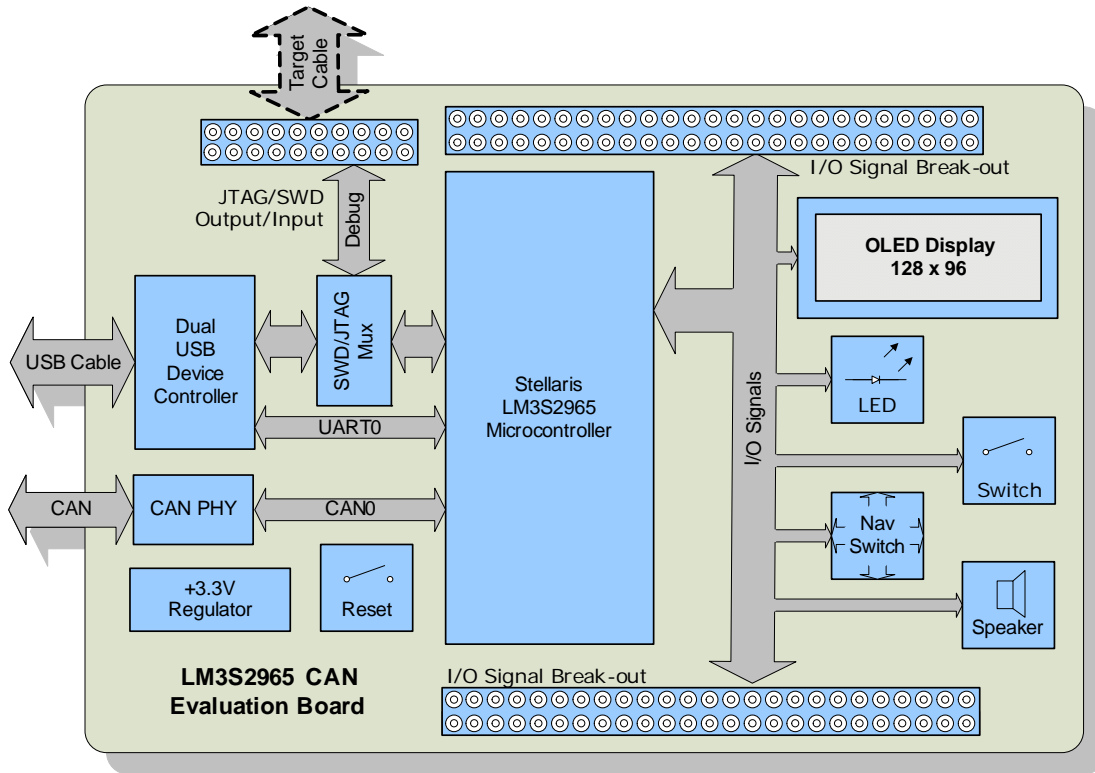
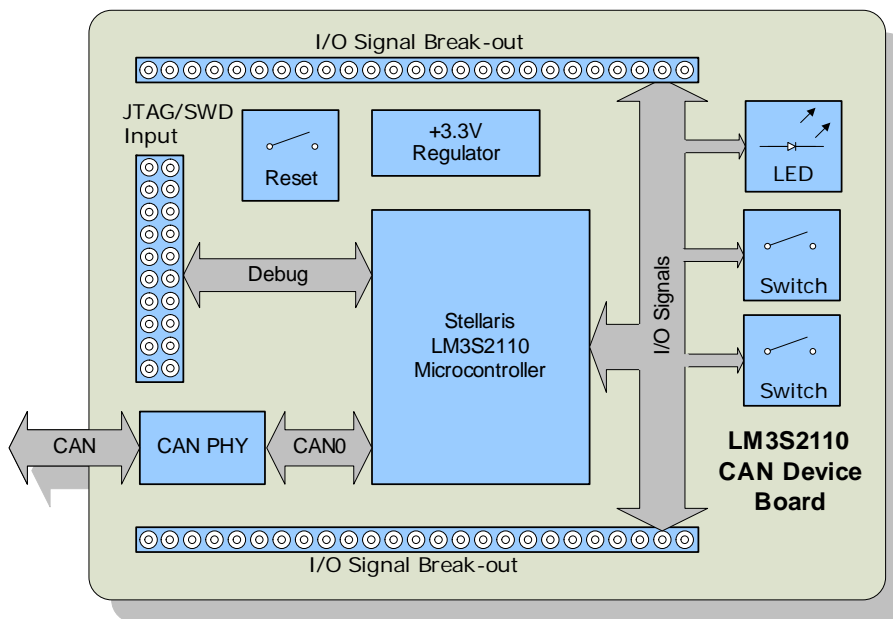


Figure 1-4. LM3S2110 CAN Device Board Block Diagram



## Evaluation Kit Contents

The evaluation kit contains everything needed to develop and run applications for Stellaris microcontrollers including:

- LM3S2965 evaluation board (EVB)
- LM3S2110 CAN device board
- USB cable
- 20-pin JTAG/SWD target cable
- 10-pin CAN cable
- CD containing:
  - A supported version of one of the following (including a toolchain-specific Quickstart guide):
    - Keil™ RealView® Microcontroller Development Kit (MDK-ARM)
    - IAR Embedded Workbench
    - Code Sourcery GCC development tools
    - Code Red Technologies development tools
    - Texas Instruments' Code Composer Studio™ IDE
  - Complete documentation
  - Quickstart application source code
  - Stellaris® Firmware Development Package with example source code

## Evaluation Board Specifications

- Board supply voltage: 4.37–5.25 Vdc from USB connector
- Board supply current: 120 mA typ (fully active, CPU at 50 MHz)  
200 mA (fully active, with sound)
- Break-out power output: 3.3 Vdc (60 mA max), 12 Vdc (15 mA max)
- Dimensions: 4.1" x 2.45" x 0.7" (LxWxH)

## CAN Device Board Specifications

- Board supply voltage: 4.0-5.0 Vdc from CAN connector
- Board supply current: 40 mA typical
- Dimensions: 2.45" x 1.60" (LxW)

## Features of the LM3S2965 Microcontroller

- 32-bit RISC performance using ARM® Cortex™-M3 v7M architecture
  - 50-MHz operation
  - Hardware-division and single-cycle-multiplication
  - Integrated Nested Vectored Interrupt Controller (NVIC)
  - 27 interrupt channels with eight priority levels

- 256-KB single-cycle flash
- 64-KB single-cycle SRAM
- Four general-purpose 32-bit timers
- Controller area network (CAN) module
- Three fully programmable 16C550-type UARTs
- Four 10-bit channels (inputs) when used as single-ended inputs
- Three independent integrated analog comparators
- Two I<sup>2</sup>C modules
- Three PWM generator blocks
  - One 16-bit counter
  - Two comparators
  - One PWM generator
  - One dead-band generator
- Two QEI modules with position integrator for tracking encoder position
- Two synchronous serial interfaces (SSIs)
- 3 to 56 GPIOs, depending on user configuration
- On-chip low drop-out (LDO) voltage regulator



## Hardware Description

In addition to a microcontroller, the Stellaris LM3S2965 evaluation board includes a range of useful peripherals and an integrated ICDI. This chapter describes how these peripherals operate and interface to the microcontroller.

### LM3S2965 Evaluation Board

#### LM3S2965 Microcontroller Overview

The heart of the EVB is a Stellaris LM3S2965 ARM Cortex-M3-based microcontroller. The LM3S2965 offers 256-KB flash memory, 50-MHz operation, a CAN module, and a wide range of peripherals. Refer to the LM3S2965 data sheet (order number DS-LM3S2965) for complete device details.

The LM3S2965 microcontroller is factory programmed with a quickstart demo program. The quickstart program resides in the LM3S2965 on-chip flash memory and runs each time power is applied, unless the quickstart has been replaced with a user program.

#### CAN Module

A key feature of the LM3S2965 is its CAN module that enables highly reliable communications at up to 1 Mb/s. The LM3S2965 evaluation board includes a standard CAN transceiver and a 10-pin CAN connector whose signal assignments follow a commonly used CAN standard. A simple adaptor (not included in the kit) can be used to allow the use of standard DB-9 CAN cables.

An on-board 120-ohm resistor provides bus termination. This resistor can be removed if the board is not a network endpoint.

The CAN transceiver is configured in hardware to support speeds up to 1 Mb/s. A resistor can be added to reduce the transceiver's drive slew-rate for slower data rates over longer distances.

#### Clocking

The LM3S2965 microcontroller has three on-chip oscillators, two are implemented on the EVB. A 8.0-MHz crystal completes the LM3S2965's main internal clock circuit. An internal PLL, configured in software, multiples this clock to 50-MHz for core and peripheral timing. At initial power on, the microcontroller operates directly from a 12-MHz internal oscillator.

#### Reset

The LM3S2965 microcontroller shares its external reset input with the OLED display. In the EVB, reset sources are gated through the CPLD, though in a typical application a simple wired-OR arrangement is sufficient.

Reset is asserted (active low) under any one of three conditions:

- Power-on reset
- Reset push switch SW1 held down
- Internal debug mode—By the USB device controller (U5 FT2232) when instructed by debugger

## Power Supplies

The LM3S2965 is powered from a +3.3-V supply. A low drop-out (LDO) regulator regulates +5-V power from the USB cable to +3.3-V. +3.3-V power is available for powering external circuits.

A +15-V rail is available when the OLED display is active. The speaker and OLED display boost-converter operate directly from the +5-V rail.

## Debugging

Stellaris microcontrollers support programming and debugging using either JTAG or SWD. JTAG uses the signals TCK, TMS, TDI, and TDO. SWD requires fewer signals (SWCLK, SWDIO, and, optionally, SWO, for trace). The debugger determines which debug protocol is used.

## Debugging Modes

The LM3S2965 evaluation board supports a range of hardware debugging configurations. Table summarizes these.

**Table 2-1. Stellaris LM3S2965 Evaluation Board Hardware Debugging Configurations**

| Mode | Debug Function              | Use   | Selected by   |
|------|-----------------------------|---|---|
| 1    | Internal ICDI               | Debug on-board LM3S2965 microcontroller over USB interface.                         | Default mode  |
| 2    | ICDI out to JTAG/SWD header | The EVB is used as a USB to SWD/JTAG interface to an external target.               | Connecting to an external target and starting debug software. The red Debug Out LED will be ON. |
| 3    | In from JTAG/SWD header     | For users who prefer an external debug interface (ULINK, JLINK, etc.) with the EVB. | Connecting an external debugger to the JTAG/SWD header  |

Modes 2 and 3 automatically detect the presence of an external debug cable. When the debugger software is connected to the EVB's USB controller, the EVB automatically selects Mode 2 and illuminates the red Debug Out LED. ICDI out (Mode 2) can be used to program and debug the small LM3S2110 CAN device board included in the kit.

## Debug In Considerations

Debug Mode 3 supports evaluation board debugging using an external debug interface. Mode 3 is automatically selected when a device such as a Segger J-Link or Keil ULINK is connected.

Boards marked Revision C or later automatically configure pin 1 to be a 3.3-V reference, if an external debugger is connected. To determine the revision of your board, locate the product number on the bottom of the board; for example, EK-LM3S2965-C. The last character of the product number identifies the board revision.

A configuration or board-level change may be necessary when using an external debug interface with revisions A and B of this evaluation board. Because the evaluation board supports both debug out and debug in modes, pin 1 of the 20-pin JTAG/SWD header is, by default, not connected to +3.3 V. Consequently, devices requiring a voltage on pin 1 to power their line buffers may not work.

Two solutions exist. Some debugger interfaces (such as ULINK) have an internal power jumper that, in this case, should be set to internal +3.3-V power. Refer to debugger interface documentation for full details. However, if your debugger interface does not have a selectable power source, it may be necessary to install a 0-Ω resistor on the evaluation board to route power to pin 1. Refer to the schematics and board drawing in the appendix of this manual for the location of this resistor.

## USB Functions

### USB Overview

An FT2232 device from Future Technology Devices International Ltd manages USB-to-serial conversion. The FT2232 is factory configured to implement a JTAG/SWD port (synchronous serial) on channel A and a Virtual COM Port (VCP) on channel B. This feature allows two simultaneous communications links between the host computer and the target device using a single USB cable. Separate Windows drivers for each function are provided on the Documentation and Software CD.

A small serial EEPROM holds the FT2232 configuration data. The EEPROM is not accessible by the LM3S2965 microcontroller.

For full details on FT2232 operation, go to [www.ftdichip.com](http://www.ftdichip.com).

### USB to JTAG/SWD

The FT2232 USB device performs JTAG/SWD serial operations under the control of the debugger. A CPLD (U4) multiplexes SWD and JTAG functions and, when working in SWD mode, provides direction control for the bidirectional data line.

### Virtual COM Port

The Virtual COM Port (VCP) allows Windows applications (such as HyperTerminal) to communicate with `UART0` on the LM3S2965 over USB. Once the FT2232 VCP driver is installed, Windows assigns a COM port number to the VCP channel.

### Serial Wire Out

The evaluation board supports the Cortex-M3 serial-wire output (SWO) trace capabilities. Under debugger control, the CPLD can route the SWO datastream to the virtual communication port (VCP) transmit channel. The debugger can then decode and interpret the trace information received from the VCP. The normal VCP connection to `UART0` is interrupted when using SWO. Not all debuggers support SWO. Refer to the Stellaris LM3S3748 data sheet for additional information on the trace port interface unit (TPIU).

## Organic LED Display

The EVB features an Organic LED (OLED) graphics display with 128 x 64 pixel resolution. OLED is a new technology that offers many advantages over LCD display technology.

### Features

- RiT P14201 series display
- 128 columns by 96 rows
- High-contrast (typ. 500:1)
- Excellent brightness (120 cd/m<sup>2</sup>)

- Fast response

## Control Interface

The OLED display has a built-in controller IC with synchronous serial and parallel interfaces. Synchronous serial (SSI) is used on the EVB as it requires fewer microcontroller pins. Data cannot be read from the OLED controller; only one data line is necessary. Stellaris® Firmware Development Package (included on the Documentation and Software CD) contains complete drivers with source-code for the OLED display.

## Power Supply

A +15-V supply is needed to bias the OLED display. A FAN5331 device from Fairchild combines with a few external components to complete a boost converter. A few external components complete the switching power supply. When the OLED display is operating, a small amount of power can be drawn from the +12-V rail to power other devices.

## Design Guidelines

The OLED display has a lifetime of about 13,000 hours. It is also prone to degradation due to burn-in, similar to CRT and plasma displays. The quickstart application includes both a screen saver and a power-down mode to extend display life. These factors should be considered when developing EVB applications that use the OLED display.

## Further Reference

For additional information on the RiT OLED display, visit [www.ritekdisplay.com](http://www.ritekdisplay.com).

## Other Peripherals

### Speaker

A small, magnetic audio transducer connects through a MOSFET to PD1/PWM1, allowing a range of options for generating simple and complex tones. Use of the +5-V rail reduces switching noise on the +3.3-V rail.

### Push Switches

The EVB has five general-purpose input switches. Four are arranged in a navigation-style configuration. The fifth functions as a Select switch.

### User LED

A user LED (LED1) is provided for general use. The LED is connected to PG2/PWM0, allowing the option of either GPIO or PWM control (brightness control). Refer to the Quickstart Application source code for an example of PWM control.

## Bypassing Peripherals

Excluding CAN and JTAG, the EVB's on-board peripheral circuits require 13 GPIO lines. This leaves 40 GPIO lines and 4 ADC channels immediately available for connection to external circuits. If an application requires more GPIO lines the on-board hardware can be disconnected. The EVB is populated with 3 jumper links, which can be cut with a knife to isolate on-board hardware. The process can be reversed by installing 0603- 0-ohm chip resistors.



**Important:** The quickstart application will not run if one or more jumpers are removed.

**Table 2-2. Isolating On-Board Hardware**

| MCU Pin            | MCU Assignment                   | To Isolate, Remove... |
|--------------------|----------------------------------|-----------------------|
| Pin 26 PA0/U0RX    | Virtual COM port receive         | JP1                   |
| Pin 27 PA1/U0TX    | Virtual COM port transmit        | JP2                   |
| Pin 16 PG3/PWM1    | Sound                            | JP5                   |
| Pin 31 PA5/SSI0TX  | OLED display data in             | JP7                   |
| Pin 28 PA2/SSI0CLK | OLED display clock               | JP6                   |
| Pin 22 PC7/C2-     | OLED display data/control select | JP3                   |
| Pin 29 PA3/SSI0FSS | OLED display chip select         | JP4                   |
| Pin 46 PF5         | Down switch                      | JP8                   |
| Pin 43 PF6         | Left switch                      | JP9                   |
| Pin 58 PF4         | Up switch                        | JP10                  |
| Pin 42 PF7         | Right switch                     | JP11                  |
| Pin 41 PG4         | Select switch                    | JP12                  |
| Pin 47 PG2/PWM0    | User LED                         | JP13                  |
| Pin 23 PC6/C2+     | Enable +15 V                     | JP14                  |

## Interfacing to the EVB

An array of accessible I/O signals makes it easy to interface the EVB to external circuits. All LM3S2965 I/O lines (except those with both JTAG and SWD functions) are brought out to 0.1" pitch pads. For quick reference, silk-screened labels on the PCB show primary pin functions.

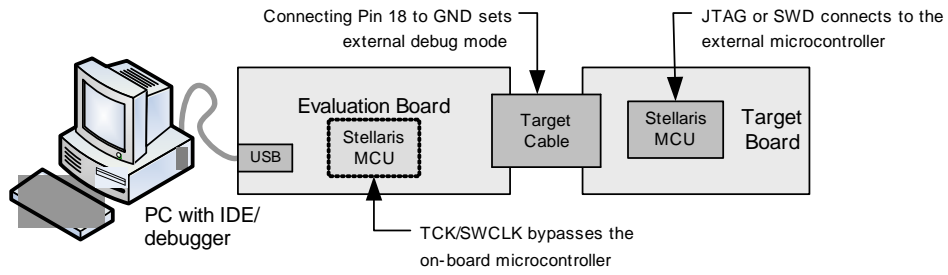
Table B-1 on page 29 has a complete list of I/O signals as well as recommended connectors.

Most LM3S2965 I/O signals are +5-V tolerant. Refer to the LM3S2965 data sheet for detailed electrical specifications.

## Using the In-Circuit Debugger Interface

The Stellaris LM3S2965 Evaluation Kit can operate as an In-Circuit Debugger Interface (ICDI). ICDI acts as a USB to the JTAG/SWD adaptor, allowing debugging of any external target board that uses a Stellaris microcontroller. See "Debugging Modes" on page 14 for a description of how to enter Debug Out mode.

Figure 2-1. ICD Interface Mode



The debug interface operates in either serial-wire debug (SWD) or full JTAG mode, depending on the configuration in the debugger IDE.

The IDE/debugger does not distinguish between the on-EVB Stellaris microcontroller and an external Stellaris microcontroller. The only requirement is that the correct Stellaris device is selected in the project configuration.

## CAN Device Board Hardware Description

The CAN device board uses a Stellaris LM3S2110 microcontroller to demonstrate a complete two-node network. The board can be used with the main LM3S2965 evaluation board or as a standalone board.

### Device Overview

The Stellaris LM3S2110 ARM Cortex-M3-based microcontroller has 64-KB flash memory, 25-MHz operation, a CAN module, and a wide range of peripherals. For complete device details, see the LM3S2110 data sheet (order number DS-LM3S2110).

The LM3S2110 microcontroller is factory programmed with a quickstart demonstration program that adds a remote volume control feature to the quickstart application. The quickstart program resides in the LM3S2110 on-chip flash memory and runs each time power is applied, unless the quickstart has been replaced with a user program.

### Power Supply

The CAN device board receives +5.0-V power from the CAN bus and should not be connected to a CAN bus that has a power wire voltage of greater than 10.0 V. If the bus is unpowered, a +5.0-V local power supply must be provided. The LM3S2110 is powered from a +3.3-V rail, supplied by a low drop-out (LDO) regulator. +3.3-V power is available for powering external circuits.

### Programming and Debugging

A standard two-way header supports both JTAG and SWD programming and debugging using either the main LM3S2965 board in ICDI out mode or a full-featured debug interface.

### Interfacing

Two push switches and an LED implement a very simple user interface. The board's capabilities are easily expanded using the I/O breakout headers. For breakout header signal assignments see Figure B-4., "LM3S2110 CAN Device Board Connections," on page 30.



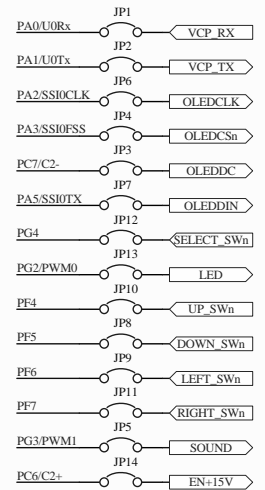
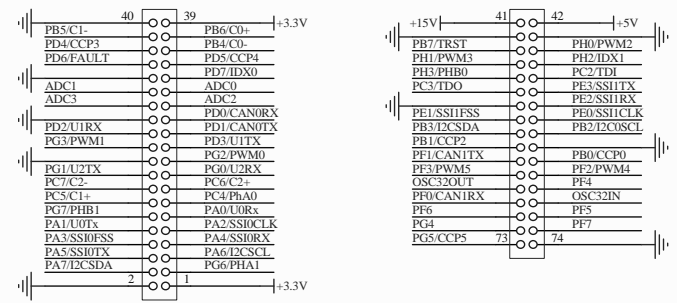
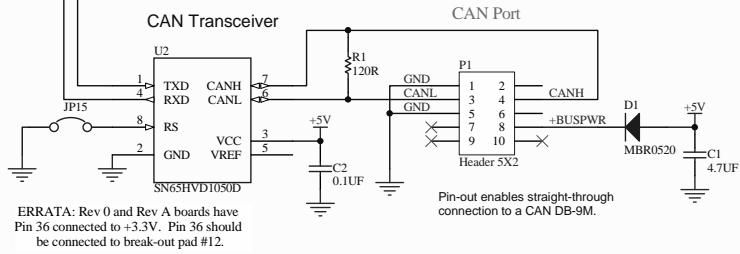
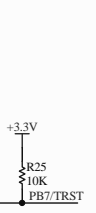
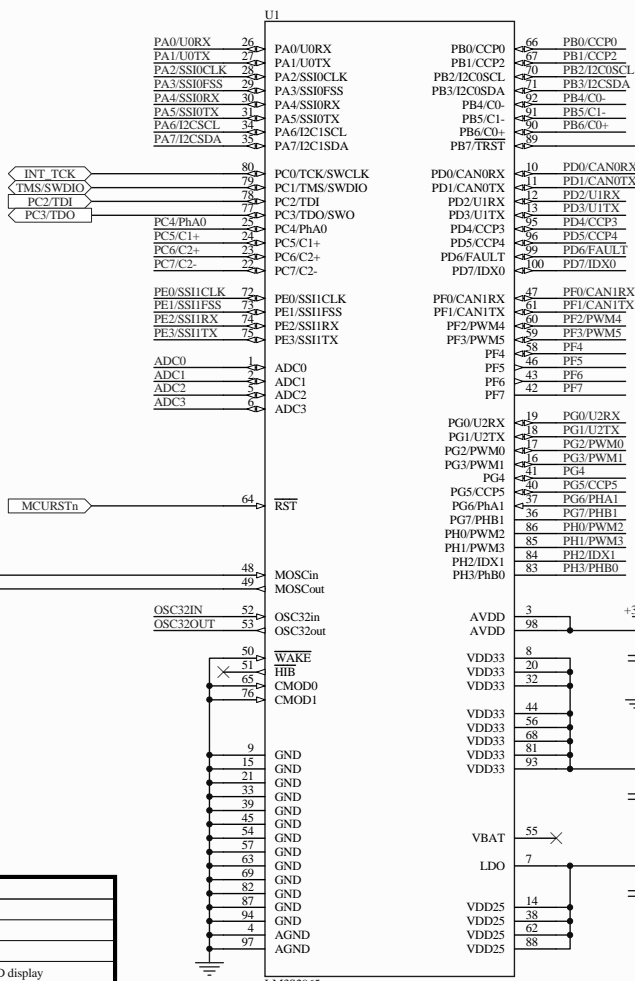
## Schematics

This section contains the schematics for the LM3S1968 Evaluation Board:

- LM3S2965 Micro and CAN Host on page 22
- OLED Display, Switches, and Audio on page 23
- USB, Debugger Interfaces, and Power on page 24
- CAN Device Using LM3S2110 on page 25
- JTAG Logic with Auto Mode Detect, Hibernate, and TVccControl on page 26

Stellaris Microcontroller with CAN

I/O Breakout Headers



**On-board Peripheral Signals**  
Jumpers can be removed to free GPIO lines as required.

**History**

| Revision | Date        | Description                       |
|----------|-------------|-----------------------------------|
| 0        | May 7, 07   | Prototype release                 |
| A        | May 12, 07  | First Production Release          |
| B        | Jun 29, 07  | Improve SWD out feature           |
| C        | Sept 28, 07 | Change to RiT 128x96 OLED display |

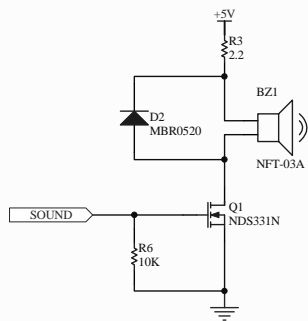
**TEXAS INSTRUMENTS**

Drawing Title: Fury Can Evaluation Board

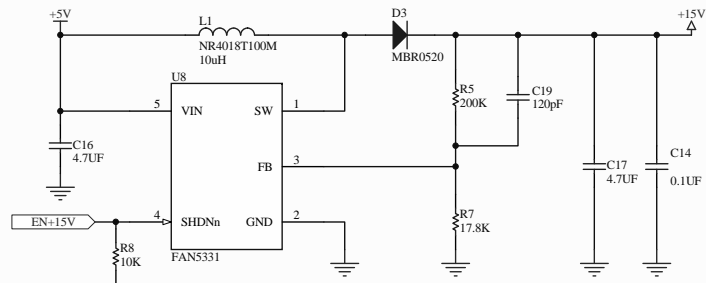
Page Title: LM3S2965 Micro and CAN Host

Size: B Document Number: I

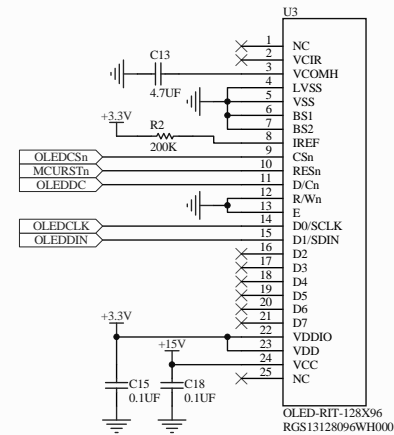
Date: 9/28/2007 Sheet 1 of 4 Rev C



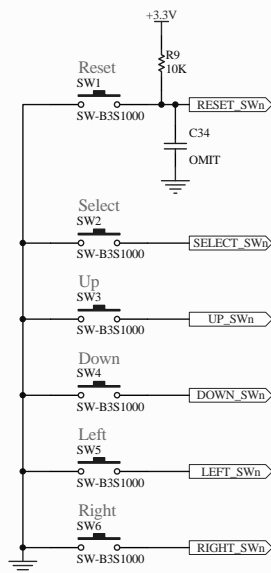
Speaker Circuit



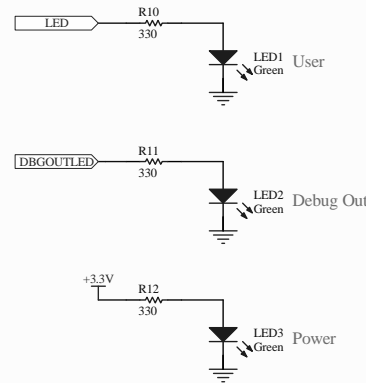
+15V 50mA Power Supply for OLED Display



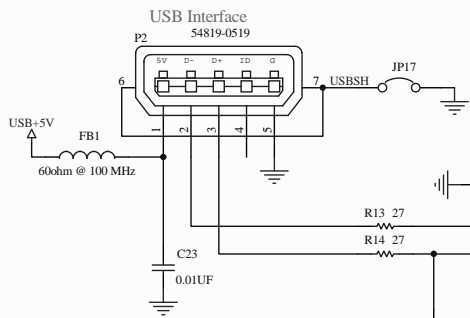
128x96 OLED Graphics Display



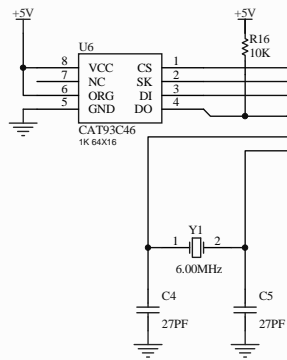
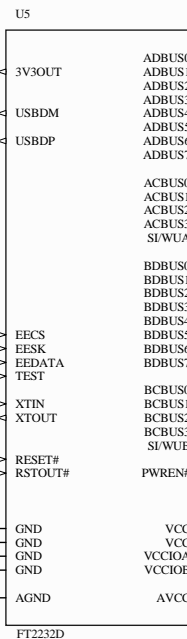
User Switches



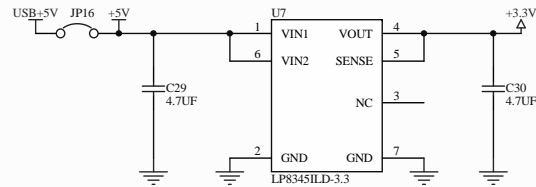
Status LEDs



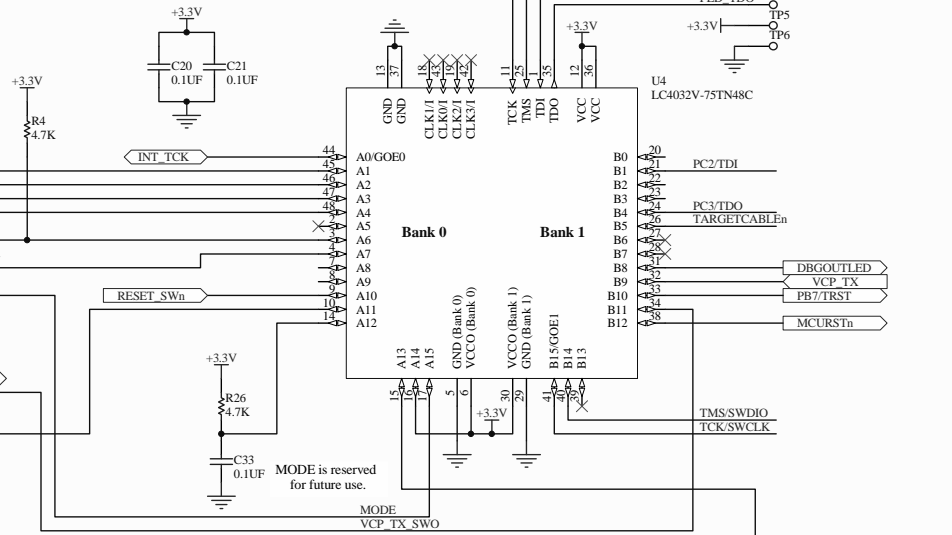
**USB Device Controller**



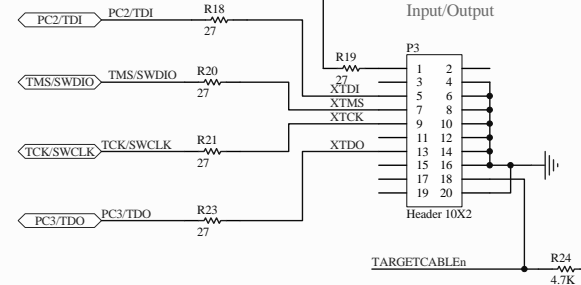
**USB +5V to +3.3V 500mA Power Supply**



**Debug Interface Logic**



**JTAG/SWD Interface Input/Output**



|  |                    |       |  |
|--|--------------------|-------|--|
|  |                    |       |  |
| Drawing Title: Fury CAN Evaluation Board       |                    |       |  |
| Page Title: USB, Debugger Interfaces and Power |                    |       |  |
| Size: B  | Document Number: 3 |       |  |
| Date: 9/28/2007                                | Sheet 3 of 4       | Rev C |  |



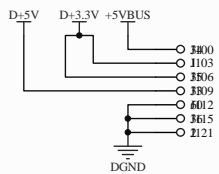
A

B

C

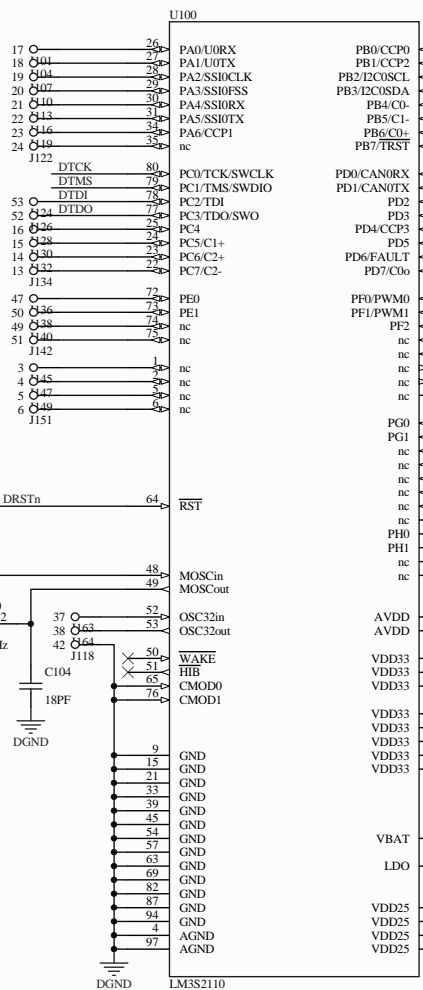
D

### Power Rail Break-out

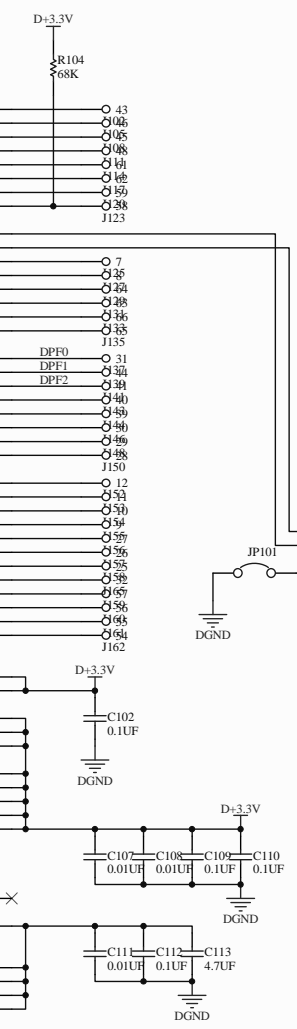
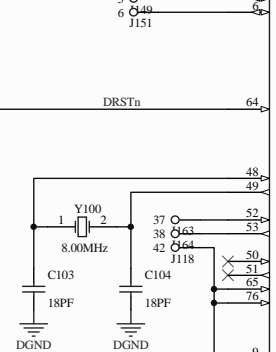
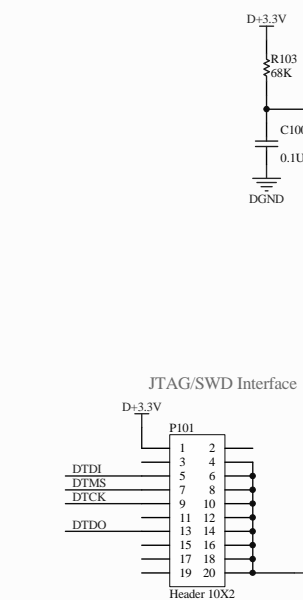


NOTE: Some LM3S2110 pins are no-connects. These pins have been brought out to pads to allow other Stellaris CAN devices to be used instead of LM3S2110.

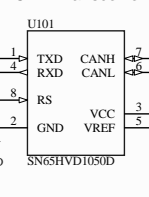
### CAN Microcontroller



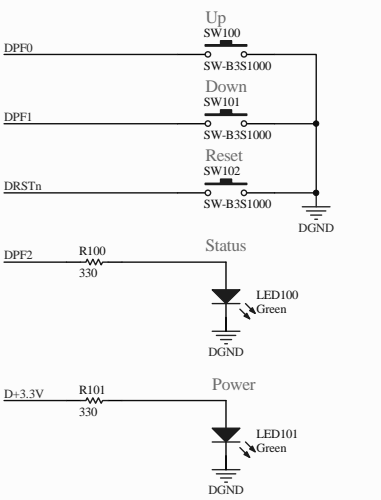
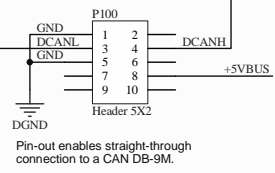
### CAN Device Evaluation Board



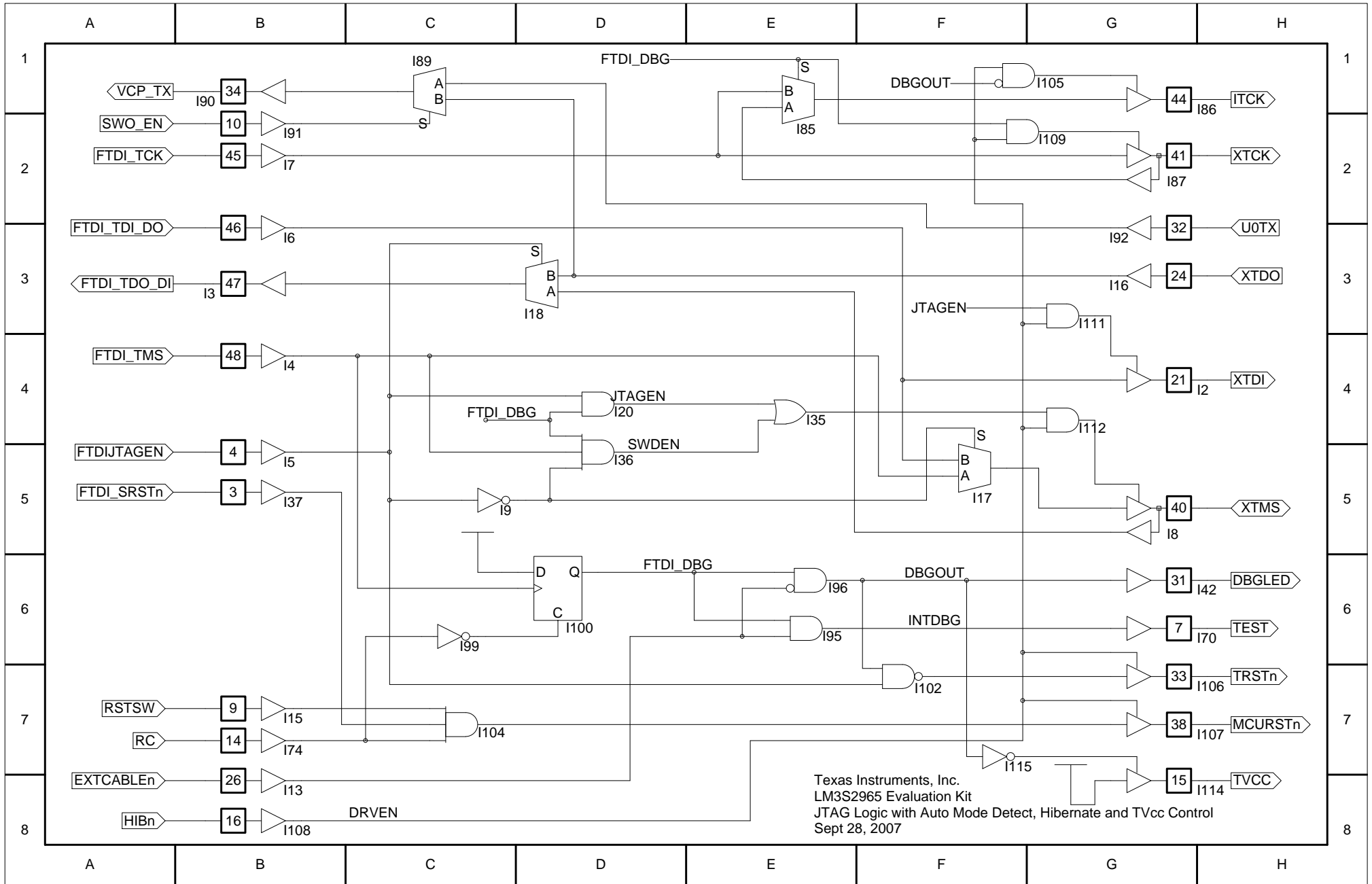
### CAN Transceiver



### CAN Port



|                |           |                           |        |
|----------------|-----------|---------------------------|--------|
| Drawing Title: |           | Fury CAN Evaluation Board |        |
| Page Title:    |           | CAN Device using LM3S2110 |        |
| Size           | B         | Document Number:          | 4      |
| Date:          | 9/28/2007 | Sheet                     | 4 of 4 |
|                |           | Rev                       | C      |



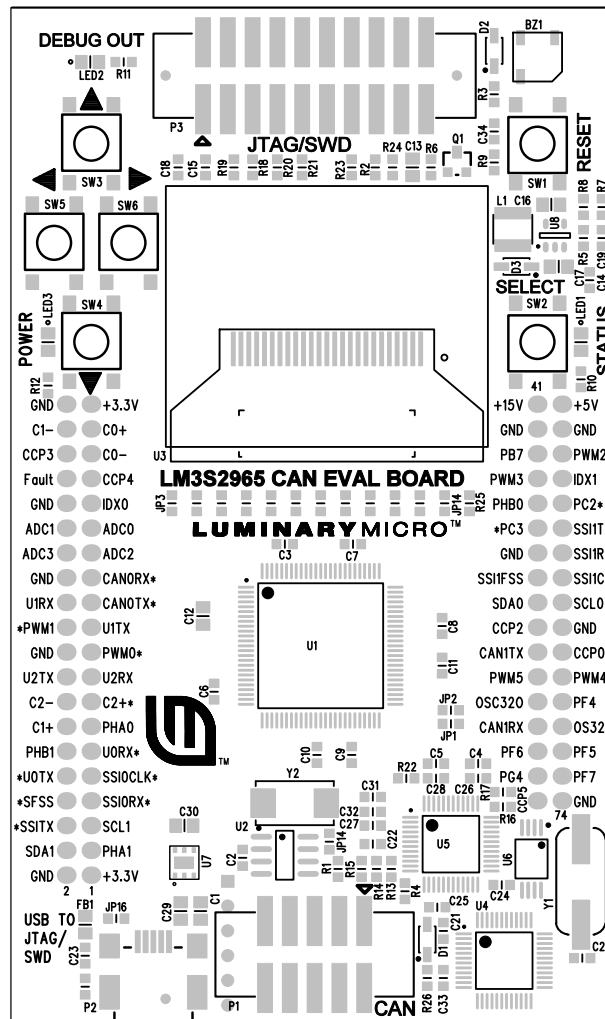
## Connection Details

This appendix contains the following sections:

- Component Locations
- Evaluation Board Dimensions
- I/O Breakout Pads
- ARM Target Pinout
- References

## Component Locations

Figure B-1. Component Locations



# Evaluation Board Dimensions

Figure B-2. LM3S2965 Evaluation Board Dimensions

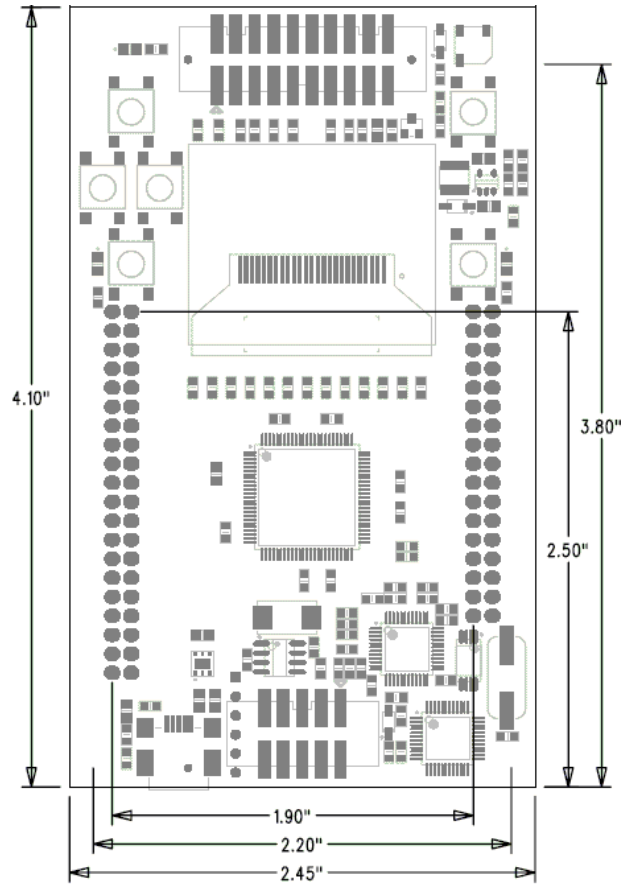
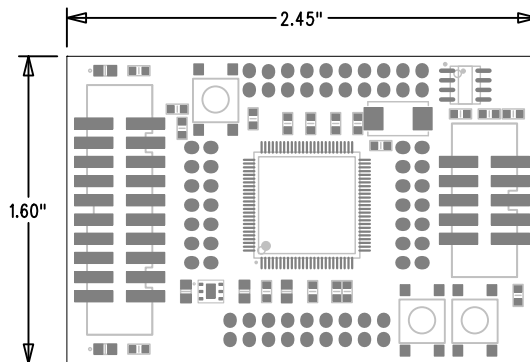


Figure B-3. LM3S2110 CAN Device Board Dimensions



## I/O Breakout Pads

The LM3S2965 EVB has 57 I/O pads, 15 power pads, and 2 crystal connections, for a total of 74 pads. Connection can be made by soldering wires directly to these pads, or by using 0.1" pitch headers and sockets.

**Note:** In Table B-2, an asterisk (\*) by a signal name (also on the EVB PCB) indicates the signal is normally used for on-board functions. Normally, you should cut the associated jumper (JP1-15) before using an assigned signal for external interfacing.

Table B-1. I/O Breakout Pads

| Description  | Pad No. | Pad No. | Description  | Description                   | Pad No. | Pad No. | Description |
|--------------|---------|---------|--------------|-------------------------------|---------|---------|-------------|
| GND          | 40      | 39      | +3.3 V       | +12 V                         | 41      | 42      | +5 V        |
| PB5/C1-      | 38      | 37      | PB6/C0+      | GND                           | 43      | 44      | GND         |
| PD4/CCP3     | 36      | 35      | PB4/C0-      | PB7/ $\overline{\text{TRST}}$ | 45      | 56      | PH0/PWM2    |
| PD6/FAULT    | 34      | 33      | PD5/CCP4     | PH1/PWM3                      | 47      | 48      | PH2/IDX1    |
| ADC1         | 30      | 29      | ADC0         | PC3/TDO                       | 51      | 52      | PE3/SSI1TX  |
| ADC3         | 28      | 27      | ADC2         | GND                           | 53      | 54      | PE2/SSI1RX  |
| GND          | 26      | 25      | PD0/CAN0RX   | PE1/SSI1FSS                   | 55      | 56      | PE0/SSI1CLK |
| PD2/U1RX     | 24      | 23      | PD1/CAN0TX   | PB3/I2CSDA                    | 57      | 58      | PB2/I2C0SCL |
| PG3/PWM1*    | 22      | 21      | PD3/U1TX     | PB1/CCP2                      | 59      | 60      | GND         |
| GND          | 20      | 19      | PG2/PWM0*    | PF1/CAN1TX                    | 61      | 62      | PB0/CCP0    |
| PG1/U2TX     | 18      | 17      | PG0/U2RX     | PF3/PWM5                      | 63      | 64      | PF2/PWM4    |
| PC7/C2-*     | 16      | 15      | PC6/C2+*     | OSC32OUT                      | 65      | 66      | PF4*        |
| PC5/C1+      | 14      | 13      | PC4/PHA0     | PF0/CAN1RX                    | 67      | 68      | OSC32IN     |
| GND          | 12      | 11      | PA0/U0RX*    | PF6*                          | 69      | 70      | PF5*        |
| PA1/U0TX*    | 10      | 9       | PA2/SSI0CLK* | PG4*                          | 71      | 72      | PF7*        |
| PA3/SSI0FSS* | 8       | 7       | PA4/SSI0RX   | PG5/CCP5                      | 73      | 74      | GND         |
| PA5/SSI0TX*  | 6       | 5       | PA6/I2CSCL   |                               |         |         |             |
| PA7/I2C1SDA  | 4       | 3       | PG6/PHA1     |                               |         |         |             |
| GND          | 2       | 1       | +3.3 V       |                               |         |         |             |



## ARM Target Pinout

In ICDI input and output mode, the Stellaris LM3S2965 Evaluation Kit supports ARM's standard 20-pin JTAG/SWD configuration. The same pin configuration can be used for debugging over serial-wire debug (SWD) and JTAG interfaces. The debugger software, running on the PC, determines which interface protocol is used.

The Stellaris target board should have a 2x10 0.1" pin header with signals as indicated in Table B-3. This applies to both external Stellaris MCU targets (Debug output mode) and to external JTAG/SWD debuggers (Debug input mode).

**Table B-3. 20-Pin JTAG/SWD Configuration**

| Function       | Pin | Pin | Function |
|----------------|-----|-----|----------|
| VCC (optional) | 1   | 2   | nc       |
| nc             | 3   | 4   | GND      |
| TDI            | 5   | 6   | GND      |
| TMS            | 7   | 8   | GND      |
| TCK            | 9   | 10  | GND      |
| nc             | 11  | 12  | GND      |
| TDO            | 13  | 14  | GND      |
| nc             | 15  | 16  | GND      |
| nc             | 17  | 18  | GND      |
| nc             | 19  | 20  | GND      |

ICDI does not control  $\overline{RST}$  (device reset) or  $\overline{TRST}$  (test reset) signals. Both reset functions are implemented as commands over JTAG/SWD, so these signals are not necessary.

It is recommended that connections be made to all GND pins; however, both targets and external debug interfaces must connect pin 18 and at least one other GND pin to GND.

## References

In addition to this document, the following references are included on the Stellaris Family Development Kit documentation CD-ROM and are also available for download at [www.ti.com/stellaris](http://www.ti.com/stellaris):

- *Stellaris LM3S2965 Evaluation Kit Quickstart Guide* for appropriate tool kit (see "Evaluation Kit Contents," on page 10)
- *Stellaris LM3S2965 Read Me First* for the CAN Evaluation Kit
- StellarisWare® Driver Library, Order number SW-DRL
- *StellarisWare® Driver Library User's Manual*, publication number SW-DRL-UG
- *Stellaris LM3S2965 Data Sheet*, publication DS-LM3S2965

Additional references include:

- *Future Technology Devices Incorporated FT2232C Datasheet*
- Information on development tool being used:
  - RealView MDK web site, [www.keil.com/arm/rvmdkkit.asp](http://www.keil.com/arm/rvmdkkit.asp)
  - IAR Embedded Workbench web site, [www.iar.com](http://www.iar.com)
  - Code Sourcery GCC development tools web site, [www.codesourcery.com/gnu\\_toolchains/arm](http://www.codesourcery.com/gnu_toolchains/arm)
  - Code Red Technologies development tools web site, [www.code-red-tech.com](http://www.code-red-tech.com)
  - Texas Instruments' Code Composer Studio™ IDE web site, [www.ti.com/ccs](http://www.ti.com/ccs)



## IMPORTANT NOTICE

Texas Instruments Incorporated and its subsidiaries (TI) reserve the right to make corrections, modifications, enhancements, improvements, and other changes to its products and services at any time and to discontinue any product or service without notice. Customers should obtain the latest relevant information before placing orders and should verify that such information is current and complete. All products are sold subject to TI's terms and conditions of sale supplied at the time of order acknowledgment.

TI warrants performance of its hardware products to the specifications applicable at the time of sale in accordance with TI's standard warranty. Testing and other quality control techniques are used to the extent TI deems necessary to support this warranty. Except where mandated by government requirements, testing of all parameters of each product is not necessarily performed.

TI assumes no liability for applications assistance or customer product design. Customers are responsible for their products and applications using TI components. To minimize the risks associated with customer products and applications, customers should provide adequate design and operating safeguards.

TI does not warrant or represent that any license, either express or implied, is granted under any TI patent right, copyright, mask work right, or other TI intellectual property right relating to any combination, machine, or process in which TI products or services are used. Information published by TI regarding third-party products or services does not constitute a license from TI to use such products or services or a warranty or endorsement thereof. Use of such information may require a license from a third party under the patents or other intellectual property of the third party, or a license from TI under the patents or other intellectual property of TI.

Reproduction of TI information in TI data books or data sheets is permissible only if reproduction is without alteration and is accompanied by all associated warranties, conditions, limitations, and notices. Reproduction of this information with alteration is an unfair and deceptive business practice. TI is not responsible or liable for such altered documentation. Information of third parties may be subject to additional restrictions.

Resale of TI products or services with statements different from or beyond the parameters stated by TI for that product or service voids all express and any implied warranties for the associated TI product or service and is an unfair and deceptive business practice. TI is not responsible or liable for any such statements.

TI products are not authorized for use in safety-critical applications (such as life support) where a failure of the TI product would reasonably be expected to cause severe personal injury or death, unless officers of the parties have executed an agreement specifically governing such use. Buyers represent that they have all necessary expertise in the safety and regulatory ramifications of their applications, and acknowledge and agree that they are solely responsible for all legal, regulatory and safety-related requirements concerning their products and any use of TI products in such safety-critical applications, notwithstanding any applications-related information or support that may be provided by TI. Further, Buyers must fully indemnify TI and its representatives against any damages arising out of the use of TI products in such safety-critical applications.

TI products are neither designed nor intended for use in military/aerospace applications or environments unless the TI products are specifically designated by TI as military-grade or "enhanced plastic." Only products designated by TI as military-grade meet military specifications. Buyers acknowledge and agree that any such use of TI products which TI has not designated as military-grade is solely at the Buyer's risk, and that they are solely responsible for compliance with all legal and regulatory requirements in connection with such use.

TI products are neither designed nor intended for use in automotive applications or environments unless the specific TI products are designated by TI as compliant with ISO/TS 16949 requirements. Buyers acknowledge and agree that, if they use any non-designated products in automotive applications, TI will not be responsible for any failure to meet such requirements.

Following are URLs where you can obtain information on other Texas Instruments products and application solutions:

| <b>Products</b>             |  | <b>Applications</b>        |  |
|-----------------------------|--|----------------------------|--|
| Amplifiers                  | <a href="http://amplifier.ti.com">amplifier.ti.com</a>             | Audio                      | <a href="http://www.ti.com/audio">www.ti.com/audio</a>                                   |
| Data Converters             | <a href="http://dataconverter.ti.com">dataconverter.ti.com</a>     | Automotive                 | <a href="http://www.ti.com/automotive">www.ti.com/automotive</a>                         |
| DLP® Products               | <a href="http://www.dlp.com">www.dlp.com</a>                       | Communications and Telecom | <a href="http://www.ti.com/communications">www.ti.com/communications</a>                 |
| DSP                         | <a href="http://dsp.ti.com">dsp.ti.com</a>                         | Computers and Peripherals  | <a href="http://www.ti.com/computers">www.ti.com/computers</a>                           |
| Clocks and Timers           | <a href="http://www.ti.com/clocks">www.ti.com/clocks</a>           | Consumer Electronics       | <a href="http://www.ti.com/consumer-apps">www.ti.com/consumer-apps</a>                   |
| Interface                   | <a href="http://interface.ti.com">interface.ti.com</a>             | Energy                     | <a href="http://www.ti.com/energy">www.ti.com/energy</a>                                 |
| Logic                       | <a href="http://logic.ti.com">logic.ti.com</a>                     | Industrial                 | <a href="http://www.ti.com/industrial">www.ti.com/industrial</a>                         |
| Power Mgmt                  | <a href="http://power.ti.com">power.ti.com</a>                     | Medical                    | <a href="http://www.ti.com/medical">www.ti.com/medical</a>                               |
| Microcontrollers            | <a href="http://microcontroller.ti.com">microcontroller.ti.com</a> | Security                   | <a href="http://www.ti.com/security">www.ti.com/security</a>                             |
| RFID                        | <a href="http://www.ti-rfid.com">www.ti-rfid.com</a>               | Space, Avionics & Defense  | <a href="http://www.ti.com/space-avionics-defense">www.ti.com/space-avionics-defense</a> |
| RF/IF and ZigBee® Solutions | <a href="http://www.ti.com/lprf">www.ti.com/lprf</a>               | Video and Imaging          | <a href="http://www.ti.com/video">www.ti.com/video</a>                                   |
|                             |  | Wireless                   | <a href="http://www.ti.com/wireless-apps">www.ti.com/wireless-apps</a>                   |

Mailing Address: Texas Instruments, Post Office Box 655303, Dallas, Texas 75265  
Copyright © 2010, Texas Instruments Incorporated