

LM25088

Application Note 1931 LM25088 Evaluation Board



Literature Number: SNVA383C

LM25088 Evaluation Board

National Semiconductor
Application Note 1931
Ajay Hari
December 8, 2008

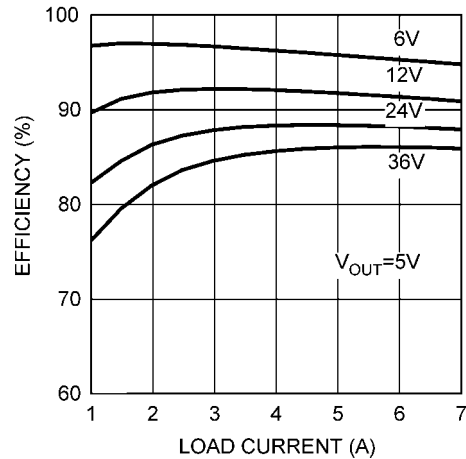


Introduction

The LM25088 evaluation board is designed to provide the design engineer with a fully functional power converter based on Emulated Current Mode Control to evaluate the LM25088 controller IC. The LM25088 evaluation board is available in two versions (like the LM25088 controller): the LM25088-1

evaluation board provides $\pm 5\%$ oscillator frequency dithering to reduce EMI and the LM25088-2 evaluation board provides hiccup mode restart to reduce over load stress. Both the evaluation boards share the same layout except for silkscreen. The printed circuit board consists of 2 layers, 2 ounce of copper top and bottom and the board size is 2.55x1.5x0.5 inches.

Specification	LM25088-1	LM25088-2
Input Voltage Range	5.5V to 36V	5.5V to 36V
Output Voltage	5.0V	5.0V
Max. Average Load Current	7A	7A
Load Regulation	2%	2%
Current Limit Type	Cycle-by-cycle current limit	Hiccup Mode Restart
Frequency	250 kHz ($\pm 5\%$ Oscillator Dithering)	250 kHz



30087701

FIGURE 1. Typical Efficiency Curves of LM25088-1 and LM25088-2 Evaluation Boards

Powering and Loading Considerations

Read this entire page prior to attempting to power the evaluation board.

QUICK SETUP PROCEDURE

Step 1: Set the power supply current limit to 10A. Turn off the power supply. Connect the power supply to the VIN terminals.

Step 2: Connect the load, with a 7A capability, to the VOUT terminals.

Step 3: Slowly increase the load while monitoring the output, VOUT should be in regulation with a nominal 5V output.

Step 4: Slowly sweep the input voltage from 5.5V to 36V, VOUT should remain in regulation with a nominal 5V output.

Step 5: Temporarily short the EN pin to check the shutdown function. Also, EN pin can be set between 0.4V and 1.2V, for example, by shorting EN pin to ground with a diode, to check the standby function.

Step 6: Increase the load beyond the rated current to check the current limiting. The output current should limit at approximately 10A. The LM25088-1 board will enter cycle-by-cycle current limiting, while LM25088-2 is configured for a hiccup mode restart. Cooling is critical in this step.

AIR FLOW

Prolonged operation with high input voltage (>24V) at full load will cause the LM25088 and MOSFETs to overheat and could potentially result in thermal shutdown. A fan with a minimum of 100LFM should always be used to cool the LM25088 evaluation board.

POWERING UP

It is suggested that the load be kept low during the first power up. Set the current limit of the source supply to provide about

1.5 times the anticipated wattage of the load. A quick efficiency check is the best way to confirm that everything is operating properly. If something is amiss one can be reasonably sure that it will affect the efficiency adversely. Few parameters can be correct in a switching power supply without creating losses and potentially damaging heat.

OVER CURRENT PROTECTION

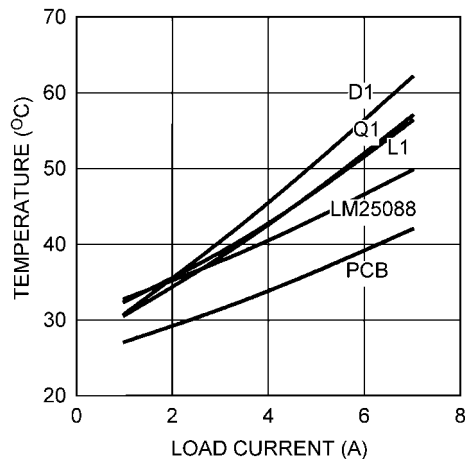
The LM25088-1 and LM25088-2 evaluation boards are both configured with over-current protection schemes. The LM25088-1 employs a cycle-by-cycle current limiting, while the LM25088-2 is configured for a hiccup mode restart. Please refer the LM25088 datasheet for more information on RES pin.

SYNCHRONIZATION

A Sync pin has been provided on the evaluation board. This pin can be used to synchronize the LM25088 to an external clock. It is recommended not to exceed 500 kHz while synchronizing. Refer the LM25088 datasheet for complete information.

ACTIVE LOADS

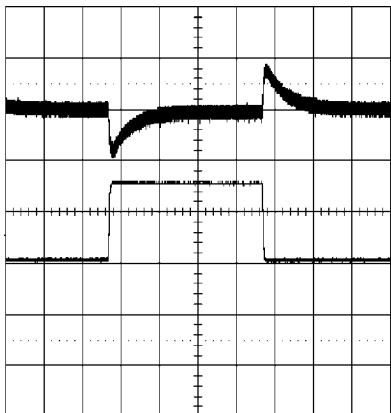
When using electronic load, it is strongly recommended to power up the evaluation board at light load and then slowly increase the load. This is necessary as most of the electronic loads do not draw any current till the output reaches an internally set point; this can result in soft-start function to not work as desired and can trip the current sense comparator. Electronic loads, in general, are best suited for monitoring steady state waveforms. If it is desired to power up the evaluation board at maximum load, resistor banks can be used. This will ensure a soft-start and evaluation board will perform as desired. Ensure that there is sufficient cooling for both the resistor banks and the LM25088 evaluation board, while running at full load.



30087702

FIGURE 2. Typical Thermal Profile at 48VIN

Typical Performance Waveforms of LM25088-1 and LM25088-2 Evaluation Boards



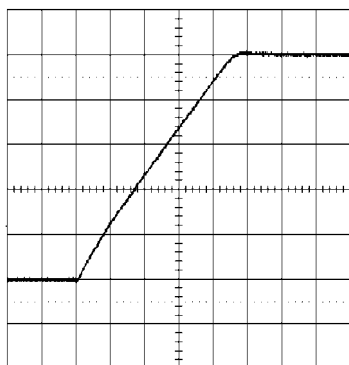
30087703

Conditions:

Input Voltage = 24VDC
Output Current = 4A to 7A
Bandwidth Limit = 20 MHz

Traces:

Bottom Trace: Output Current
Amps/div = 2A
Top Trace: Output Voltage response
Volts/div = 100 mV
Horizontal Resolution = 500 μs/div

FIGURE 3. Transient Response

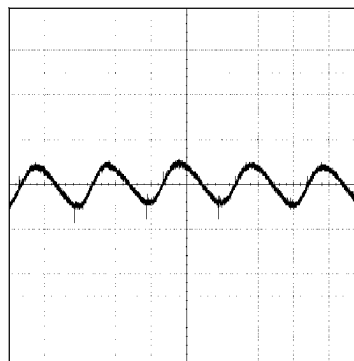
30087704

Conditions:

Input Voltage = 24VDC
Output Current = 7A

Trace:

Output Voltage
Volts/div = 1V

FIGURE 4. Soft-Start

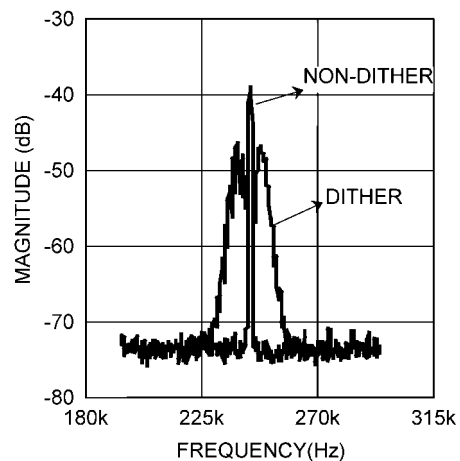
30087705

Conditions:

Input Voltage = 24VDC
Output Current = 7A
Bandwidth Limit = 20 MHz

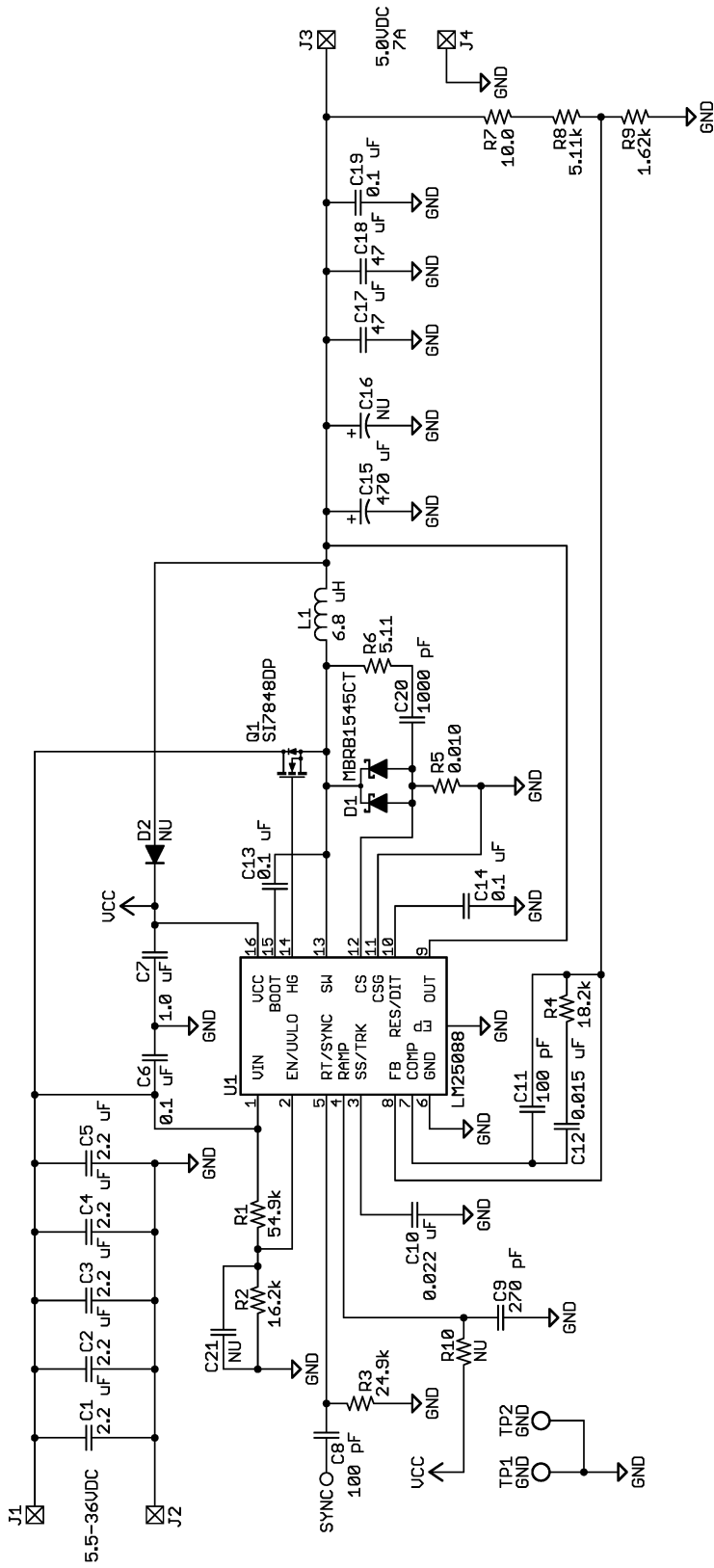
Trace:

Output Ripple
Volts/div = 50 mV
Horizontal Resolution = 5.0 μs/div

FIGURE 5. Output Voltage Ripple

30087706

FIGURE 6. Conducted Emissions Measured at the Input of a LM25088-1 Evaluation Board



30087707

FIGURE 7. LM25088-1 W/Dithering Schematic

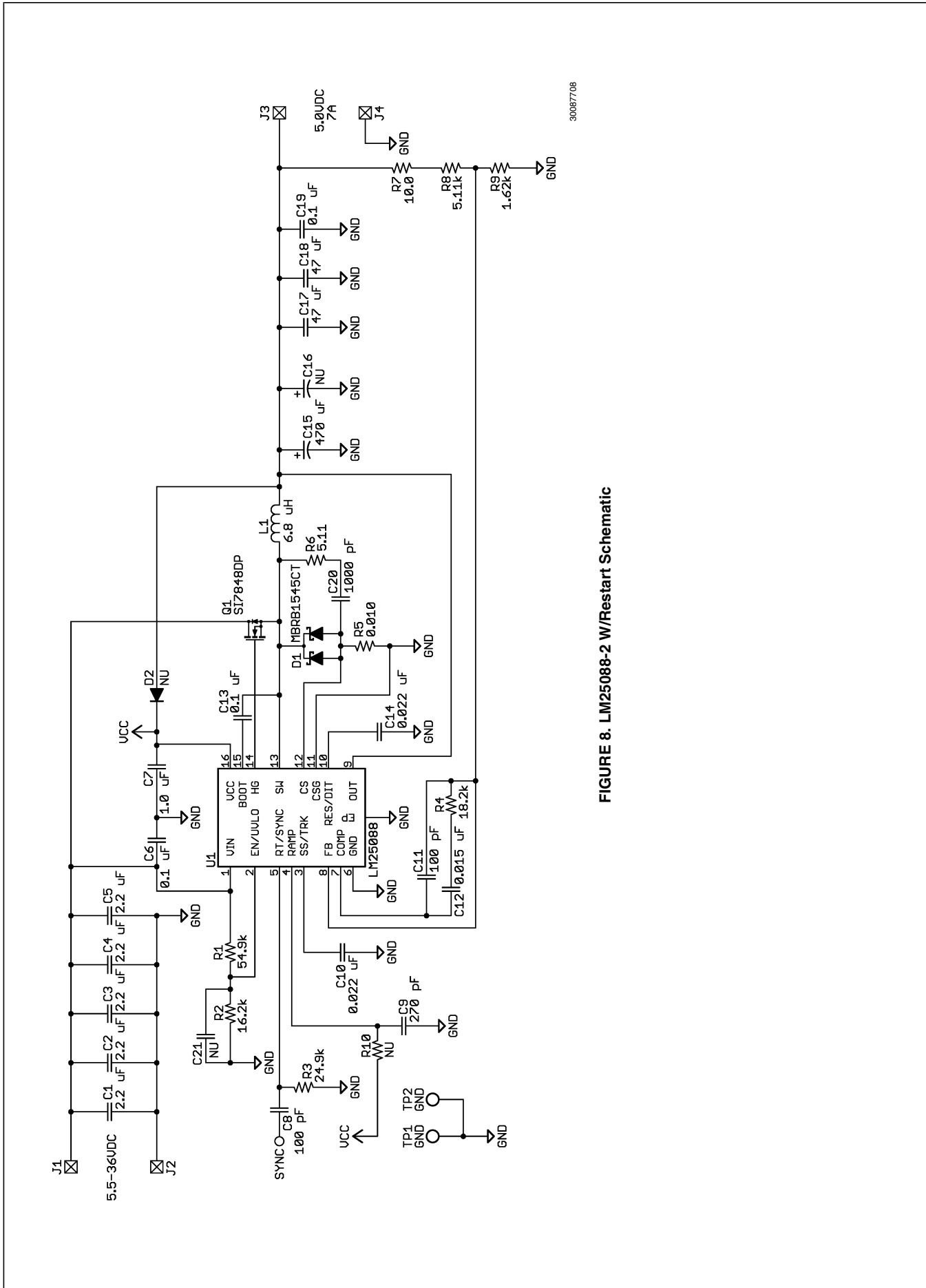


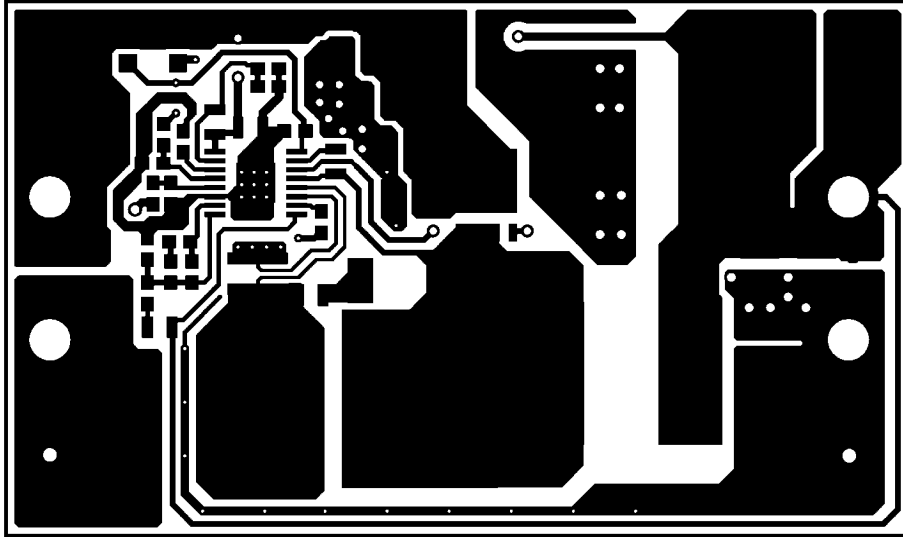
FIGURE 8. LM25088-2 W/Restart Schematic

30087708

Bill of Materials for LM25088-1 and LM25088-2 Evaluation Boards

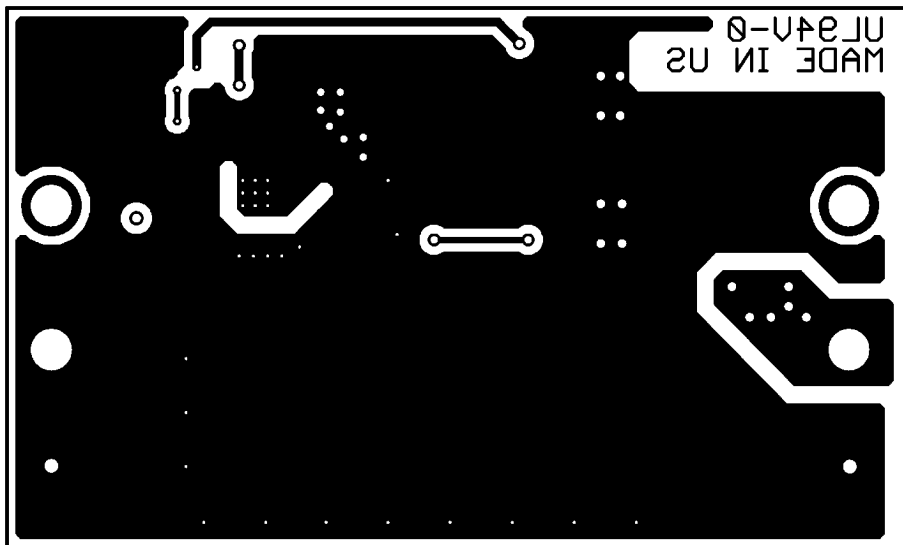
Part	Value	Package	Manufacturer	Manufacturer Part Number	Description
C1,C2,C3, C4,C5	2.2 μ F	C1210	Murata	GRM32ER72A225KA35L	CAP CER 2.2 μ F 100V X7R 1210
C6,C19	0.1 μ F	C0805	TDK Corporation	C2012X7R2A104K	CAP CER .10 μ F 100V X7R 10% 0805
C7	1 μ F	C0603	Murata	GRM188R71C105KA12D	CAP CER 1 μ F 16V X7R 0603
C8,C11	100 pF	C0603	AVX Corporation	06031A101FAT2A	CAP CERM 100 pF 1% 100V NP0 0603
C9	270 pF	C0603	Murata	GRM1885C2A271JA01D	CAP CER 270 pF 100V 5% C0G 0603
C13	0.1 μ F	C0603	Murata	GRM188R72A104KA35D	CAP CER .1 μ F 100V X7R 0603
C10	0.022 μ F	C0603	Murata	GRM188R71C223KA01D	CAP CER 22000 pF 16V 10% X7R 0603
C12	0.015 μ F	C0603	Murata	GRM188R71H153KA01D	CAP CER 15000 pF 50V 10% X7R 0603
C15	470 μ F	0.327x0.327x0.3 03	Nippon-Chemicon	APXF6R3ARA471MH80G	CAP 470 μ F 6.3V ELECT POLY SMD
C17,C18	47 μ F	C1210	Murata	GRM32ER61A476KE20L	CAP CER 47 μ F 10V X5R 1210
C20	1000 pF	C0805	Murata	GRM2195C2A102JA01D	CAP CER 1000 pF 100V 5% C0G 0805
C16	NU	0.327x0.327x0.3 03	NU	NU	NU
C21	NU	C0603	NU	NU	NU
C14 (LM25088-1)	0.1 μ F	C0603	Murata	GRM188R72A104KA35D	CAP CER .1 μ F 100V X7R 0603
C14 (LM25088-2)	0.022 μ F	C0603	Murata	GRM188R71C223KA01D	CAP CER 22000 pF 16V 10% X7R 0603
D1	Schottky Diode	D2PAK	On Semi	MBRB1545CT	Schottky Rectifiers 15A 45V
D2	NU	SOD123	NU	NU	NU
L1	6.8 μ H	HC9 series	Coiltronics	HC9-6R8-R	INDUCTOR HIGH CURRENT 6.8 μ H
Q1	MOSFET	SO-8	Vishay IR	SI7848DP	MOSFET N-CH 40V PWR PAK SO8
R1	54.9 k Ω	R0805	Rohm	MCR10EZHF5492	RES 54.9 k Ω 1/8W 1% 0805 SMD
R2	16.2 k Ω	R0603	Rohm	MCR03EZPFX1622	RES 16.2 k Ω 1/10W 1% 0603 SMD
R3	24.9 k Ω	R0603	Rohm	MCR03EZPFX2492	RES 24.9 k Ω 1/10W 1% 0603 SMD
R4	18.2 k Ω	R0603	Rohm	MCR03EZPFX1822	RES 18.2 k Ω 1/10W 1% 0603 SMD
R5	10 m Ω	R0815	Susumu Co Ltd	RL3720WT-R010-F	RES .01 Ω 1W 1% 0815 SMD
R6	5.1 Ω	R2512	Panasonic - ECG	ERJ-1TRQF5R1U	RES 5.1 Ω 1W 1% 2512 SMD
R7	10 Ω	R0805	Rohm	MCR10EZHF10R0	RES 10.0 Ω 1/8W 1% 0805 SMD
R8	5.11 k Ω	R0603	Rohm	MCR03EZPFX5111	RES 5.11 k Ω 1/10W 1% 0603 SMD
R9	1.62 k Ω	R0603	Rohm	MCR03EZPFX1621	RES 1.62 k Ω 1/10W 1% 0603 SMD
R10	NU	R0603	NU	NU	NU
J1,J2,J3, J4	Terminal_ Turret		Keystone	1509	Terminal, Turret
TP1,TP2	Slotted test point		Keystone	1040	Terminal test point slotted
U1	PWM IC	TSSOP16_EP	National	LM25088-1/LM25088-2	ECM Buck Controller

PCB Layout



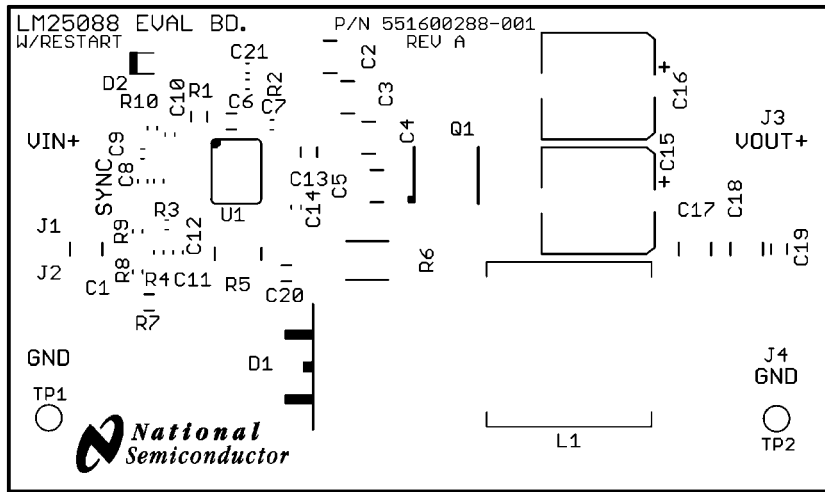
LM25088-1 and LM25088-2 Top Layer

30087709



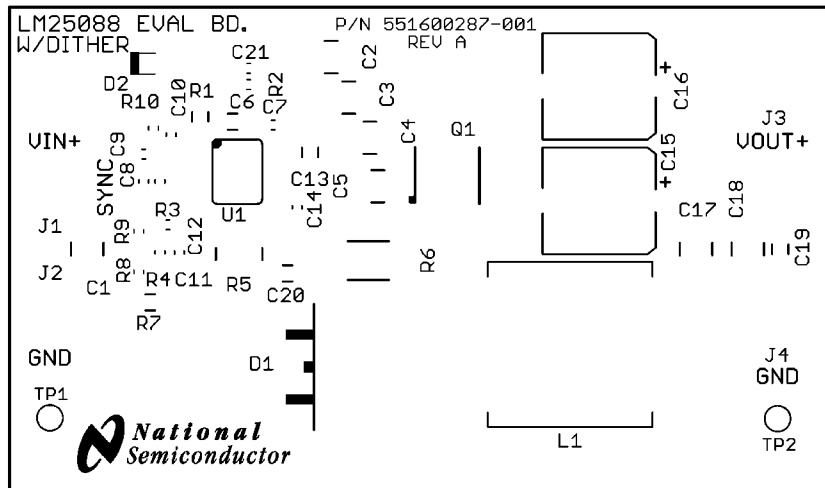
LM25088-1 and LM25088-2 Bottom Layer

30087710



LM25088-2 Silk Screen

30087711



LM25088-1 Silk Screen

30087712

Notes

AN-1931

Notes

For more National Semiconductor product information and proven design tools, visit the following Web sites at:

Products		Design Support	
Amplifiers	www.national.com/amplifiers	WEBENCH® Tools	www.national.com/webench
Audio	www.national.com/audio	App Notes	www.national.com/appnotes
Clock and Timing	www.national.com/timing	Reference Designs	www.national.com/refdesigns
Data Converters	www.national.com/adc	Samples	www.national.com/samples
Interface	www.national.com/interface	Eval Boards	www.national.com/evalboards
LVDS	www.national.com/lvds	Packaging	www.national.com/packaging
Power Management	www.national.com/power	Green Compliance	www.national.com/quality/green
Switching Regulators	www.national.com/switchers	Distributors	www.national.com/contacts
LDOs	www.national.com/ldo	Quality and Reliability	www.national.com/quality
LED Lighting	www.national.com/led	Feedback/Support	www.national.com/feedback
Voltage Reference	www.national.com/vref	Design Made Easy	www.national.com/easy
PowerWise® Solutions	www.national.com/powerwise	Solutions	www.national.com/solutions
Serial Digital Interface (SDI)	www.national.com/sdi	Mil/Aero	www.national.com/milaero
Temperature Sensors	www.national.com/tempsensors	Solar Magic®	www.national.com/solarmagic
Wireless (PLL/VCO)	www.national.com/wireless	Analog University®	www.national.com/AU

THE CONTENTS OF THIS DOCUMENT ARE PROVIDED IN CONNECTION WITH NATIONAL SEMICONDUCTOR CORPORATION ("NATIONAL") PRODUCTS. NATIONAL MAKES NO REPRESENTATIONS OR WARRANTIES WITH RESPECT TO THE ACCURACY OR COMPLETENESS OF THE CONTENTS OF THIS PUBLICATION AND RESERVES THE RIGHT TO MAKE CHANGES TO SPECIFICATIONS AND PRODUCT DESCRIPTIONS AT ANY TIME WITHOUT NOTICE. NO LICENSE, WHETHER EXPRESS, IMPLIED, ARISING BY ESTOPPEL OR OTHERWISE, TO ANY INTELLECTUAL PROPERTY RIGHTS IS GRANTED BY THIS DOCUMENT.

TESTING AND OTHER QUALITY CONTROLS ARE USED TO THE EXTENT NATIONAL DEEMS NECESSARY TO SUPPORT NATIONAL'S PRODUCT WARRANTY. EXCEPT WHERE MANDATED BY GOVERNMENT REQUIREMENTS, TESTING OF ALL PARAMETERS OF EACH PRODUCT IS NOT NECESSARILY PERFORMED. NATIONAL ASSUMES NO LIABILITY FOR APPLICATIONS ASSISTANCE OR BUYER PRODUCT DESIGN. BUYERS ARE RESPONSIBLE FOR THEIR PRODUCTS AND APPLICATIONS USING NATIONAL COMPONENTS. PRIOR TO USING OR DISTRIBUTING ANY PRODUCTS THAT INCLUDE NATIONAL COMPONENTS, BUYERS SHOULD PROVIDE ADEQUATE DESIGN, TESTING AND OPERATING SAFEGUARDS.

EXCEPT AS PROVIDED IN NATIONAL'S TERMS AND CONDITIONS OF SALE FOR SUCH PRODUCTS, NATIONAL ASSUMES NO LIABILITY WHATSOEVER, AND NATIONAL DISCLAIMS ANY EXPRESS OR IMPLIED WARRANTY RELATING TO THE SALE AND/OR USE OF NATIONAL PRODUCTS INCLUDING LIABILITY OR WARRANTIES RELATING TO FITNESS FOR A PARTICULAR PURPOSE, MERCHANTABILITY, OR INFRINGEMENT OF ANY PATENT, COPYRIGHT OR OTHER INTELLECTUAL PROPERTY RIGHT.

LIFE SUPPORT POLICY

NATIONAL'S PRODUCTS ARE NOT AUTHORIZED FOR USE AS CRITICAL COMPONENTS IN LIFE SUPPORT DEVICES OR SYSTEMS WITHOUT THE EXPRESS PRIOR WRITTEN APPROVAL OF THE CHIEF EXECUTIVE OFFICER AND GENERAL COUNSEL OF NATIONAL SEMICONDUCTOR CORPORATION. As used herein:

Life support devices or systems are devices which (a) are intended for surgical implant into the body, or (b) support or sustain life and whose failure to perform when properly used in accordance with instructions for use provided in the labeling can be reasonably expected to result in a significant injury to the user. A critical component is any component in a life support device or system whose failure to perform can be reasonably expected to cause the failure of the life support device or system or to affect its safety or effectiveness.

National Semiconductor and the National Semiconductor logo are registered trademarks of National Semiconductor Corporation. All other brand or product names may be trademarks or registered trademarks of their respective holders.

Copyright© 2008 National Semiconductor Corporation

For the most current product information visit us at www.national.com



**National Semiconductor
Americas Technical
Support Center**
Email: support@nsc.com
Tel: 1-800-272-9959

**National Semiconductor Europe
Technical Support Center**
Email: europe.support@nsc.com
German Tel: +49 (0) 180 5010 771
English Tel: +44 (0) 870 850 4288

**National Semiconductor Asia
Pacific Technical Support Center**
Email: ap.support@nsc.com

**National Semiconductor Japan
Technical Support Center**
Email: jpn.feedback@nsc.com

IMPORTANT NOTICE

Texas Instruments Incorporated and its subsidiaries (TI) reserve the right to make corrections, modifications, enhancements, improvements, and other changes to its products and services at any time and to discontinue any product or service without notice. Customers should obtain the latest relevant information before placing orders and should verify that such information is current and complete. All products are sold subject to TI's terms and conditions of sale supplied at the time of order acknowledgment.

TI warrants performance of its hardware products to the specifications applicable at the time of sale in accordance with TI's standard warranty. Testing and other quality control techniques are used to the extent TI deems necessary to support this warranty. Except where mandated by government requirements, testing of all parameters of each product is not necessarily performed.

TI assumes no liability for applications assistance or customer product design. Customers are responsible for their products and applications using TI components. To minimize the risks associated with customer products and applications, customers should provide adequate design and operating safeguards.

TI does not warrant or represent that any license, either express or implied, is granted under any TI patent right, copyright, mask work right, or other TI intellectual property right relating to any combination, machine, or process in which TI products or services are used. Information published by TI regarding third-party products or services does not constitute a license from TI to use such products or services or a warranty or endorsement thereof. Use of such information may require a license from a third party under the patents or other intellectual property of the third party, or a license from TI under the patents or other intellectual property of TI.

Reproduction of TI information in TI data books or data sheets is permissible only if reproduction is without alteration and is accompanied by all associated warranties, conditions, limitations, and notices. Reproduction of this information with alteration is an unfair and deceptive business practice. TI is not responsible or liable for such altered documentation. Information of third parties may be subject to additional restrictions.

Resale of TI products or services with statements different from or beyond the parameters stated by TI for that product or service voids all express and any implied warranties for the associated TI product or service and is an unfair and deceptive business practice. TI is not responsible or liable for any such statements.

TI products are not authorized for use in safety-critical applications (such as life support) where a failure of the TI product would reasonably be expected to cause severe personal injury or death, unless officers of the parties have executed an agreement specifically governing such use. Buyers represent that they have all necessary expertise in the safety and regulatory ramifications of their applications, and acknowledge and agree that they are solely responsible for all legal, regulatory and safety-related requirements concerning their products and any use of TI products in such safety-critical applications, notwithstanding any applications-related information or support that may be provided by TI. Further, Buyers must fully indemnify TI and its representatives against any damages arising out of the use of TI products in such safety-critical applications.

TI products are neither designed nor intended for use in military/aerospace applications or environments unless the TI products are specifically designated by TI as military-grade or "enhanced plastic." Only products designated by TI as military-grade meet military specifications. Buyers acknowledge and agree that any such use of TI products which TI has not designated as military-grade is solely at the Buyer's risk, and that they are solely responsible for compliance with all legal and regulatory requirements in connection with such use.

TI products are neither designed nor intended for use in automotive applications or environments unless the specific TI products are designated by TI as compliant with ISO/TS 16949 requirements. Buyers acknowledge and agree that, if they use any non-designated products in automotive applications, TI will not be responsible for any failure to meet such requirements.

Following are URLs where you can obtain information on other Texas Instruments products and application solutions:

Products

Audio	www.ti.com/audio
Amplifiers	amplifier.ti.com
Data Converters	dataconverter.ti.com
DLP® Products	www.dlp.com
DSP	dsp.ti.com
Clocks and Timers	www.ti.com/clocks
Interface	interface.ti.com
Logic	logic.ti.com
Power Mgmt	power.ti.com
Microcontrollers	microcontroller.ti.com
RFID	www.ti-rfid.com
OMAP Mobile Processors	www.ti.com/omap
Wireless Connectivity	www.ti.com/wirelessconnectivity

Applications

Communications and Telecom	www.ti.com/communications
Computers and Peripherals	www.ti.com/computers
Consumer Electronics	www.ti.com/consumer-apps
Energy and Lighting	www.ti.com/energy
Industrial	www.ti.com/industrial
Medical	www.ti.com/medical
Security	www.ti.com/security
Space, Avionics and Defense	www.ti.com/space-avionics-defense
Transportation and Automotive	www.ti.com/automotive
Video and Imaging	www.ti.com/video

TI E2E Community Home Page

e2e.ti.com

Mailing Address: Texas Instruments, Post Office Box 655303, Dallas, Texas 75265
Copyright © 2011, Texas Instruments Incorporated