

The CLC730038 and CLC730036 evaluation boards are designed to aid in the characterization of Comlinear's 8-pin, dual monolithic amplifiers.

- CLC730038 - DIP packages
Uses all through-hole components
- CLC730036 - SOIC packages
Uses all surface-mount components

Both boards have identical circuit configurations and are designed for non-inverting gains. Inverting gains or other circuit configurations can be obtained with slight modifications to the boards. Use the evaluation boards as a:

- Guide for high frequency layout
- Tool to aid in device testing and characterization

Basic Operation

Figure 1 shows the non-inverting schematic for both boards. The input signal is brought into the board through SMA connectors to the non-inverting input of the amplifier. The resistor R_{in} is used to set the input termination resistance to the op amp. The non-inverting gain is set by the following equation:

$$\text{Non-inverting Gain: } 1 + \frac{R_f}{R_g}$$

The value of the feedback resistor, R_f , has a strong influence on AC performance. Refer to the product data sheet for feedback resistor selection. The output of the op amp travels through a series resistance, R_{out} , and then leaves the board through an SMA connector. The series resistance, R_{out} , matches transmission lines or isolates the output from capacitive loads.

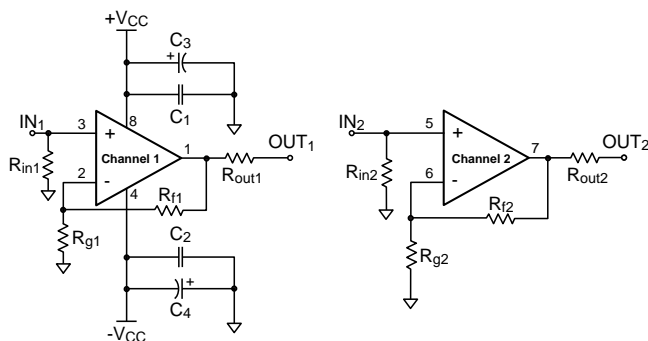


Figure 1: Non-inverting Gain Configurations

Inverting Gain Operation

The evaluation boards can be modified to provide an inverting gain configuration. Complete these steps to modify the board:

1. Cut the input trace as shown in Figure 2
2. Use 25Ω for R_{in}
3. Terminate R_g at the input trace instead of ground (See Figure 2)
4. Add R_t for desired input impedance (input impedance = $R_g || R_t$)

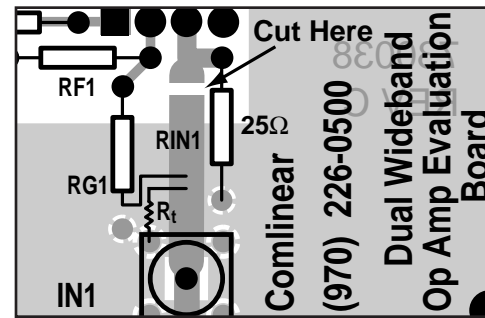
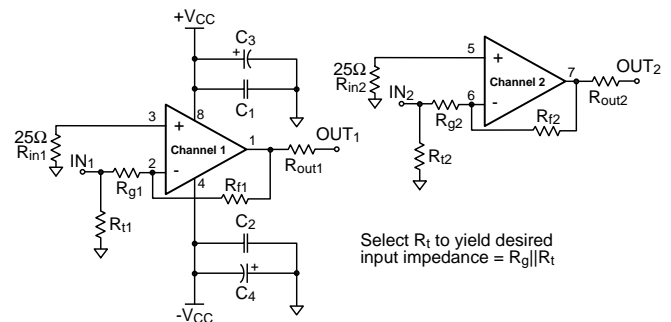


Figure 2: Modifications for Inverting Gains (CLC730038 board shown)

Figure 3 illustrates the inverting schematic for both boards.



Select R_t to yield desired input impedance = $R_g || R_t$

Figure 3: Inverting Gain Configurations

Isolation and Channel Matching Performance

For maximum isolation between channels, proper power supply decoupling is required. Always include the bypass capacitors C1, C2, C3, and C4. The use of good quality capacitors also helps to achieve better isolation performance.

The evaluation boards have also been designed to minimize channel-to-channel crosstalk. The input and output pins of the amplifier are sensitive to the coupling of parasitic capacitances caused by power or ground planes and traces. To reduce the influence of these parasitics, the ground plane has been removed around these sensitive nodes. In multilayer boards, remove both the ground and power traces and planes around the input and output pins.

Layout Considerations

General layout and supply bypassing play major roles in high frequency performance. When designing your own board, use the evaluation board as a guide and follow these steps as a basis for high frequency layout:

1. Use a ground plane.
2. Include 6.8 μ F tantalum and 0.1 μ F ceramic capacitors on both supplies.
3. Place the 6.8 μ F capacitors within 0.75 inches of the power pins.
4. Place the 0.1 μ F capacitors less than 0.1 inches from the power pins.
5. Remove the ground plane under and around the part, especially near the input and output pins to reduce parasitic capacitance.
6. Minimize all trace lengths to reduce series inductances.
7. Use individual flush-mount sockets, for prototyping.

Measurement Hints

If 50 Ω coax and 50 Ω R_{in}/R_{out} resistors are used, many of the typical performance plots found in the product data sheets can be reproduced.

When SMA connectors and cables are not available to evaluate the amplifier, do not use normal oscilloscope probes. Use low impedance resistive divider probes of 100 to 500 Ω . If a low impedance probe is not available, then a section of 50 Ω coaxial cable and a low impedance resistor (10 Ω to 50 Ω) may be used. Follow these 3 steps to create a "cable/resistor" probe:

1. Connect one end of the coax's center to a test measurement box terminated in 50 Ω .
2. Connect the other end of the cable's center conductor to the low impedance resistor. (The open side of the resistor is now a probe.)
3. Connect the ground shield of the cable to evaluation board ground and test box ground.

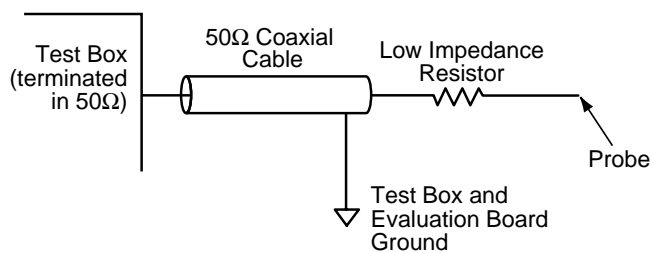


Figure 4: "Cable/Resistor" Probe Configuration

This "cable/resistor" probe, shown in Figure 4, forms a voltage attenuator between the resistor and the 50 Ω termination resistance of the test box. This method allows measurements to be performed directly on the output pin of the amplifier.

When evaluating only one channel on the board, complete the following on the unused channel:

1. Included R_f and R_g as shown in Figure 1
2. Ground the input
3. Load the output with 50 Ω to ground

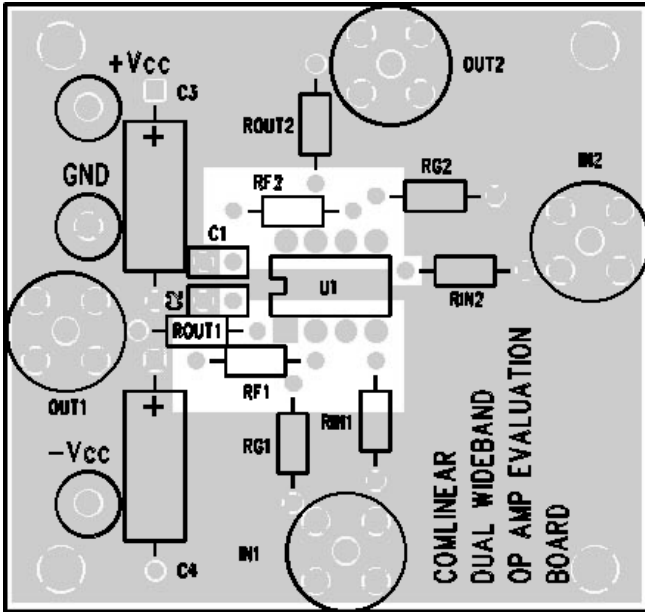
Power Supplies

Refer to the product data sheet for the recommended supply voltages.

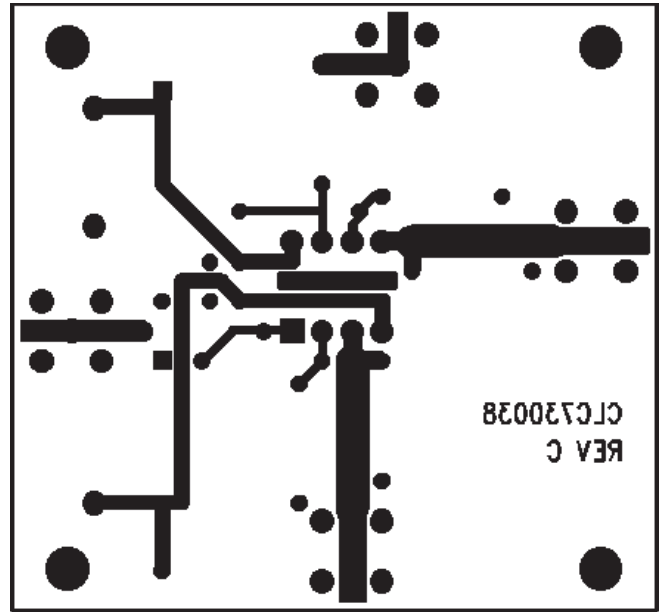
Component Values

- R_f , R_g - Use the product data sheet to select values
- R_{in} , R_{out} - 50 Ω (Refer to **Basic Operation** section for details)
- R_t - Optional resistor for inverting gain configurations (Refer **Inverting Gain Operation** section for details)
- C3, C4 - 6.8 μ F tantalum capacitors
- C1, C2 - 0.1 μ F ceramic capacitors

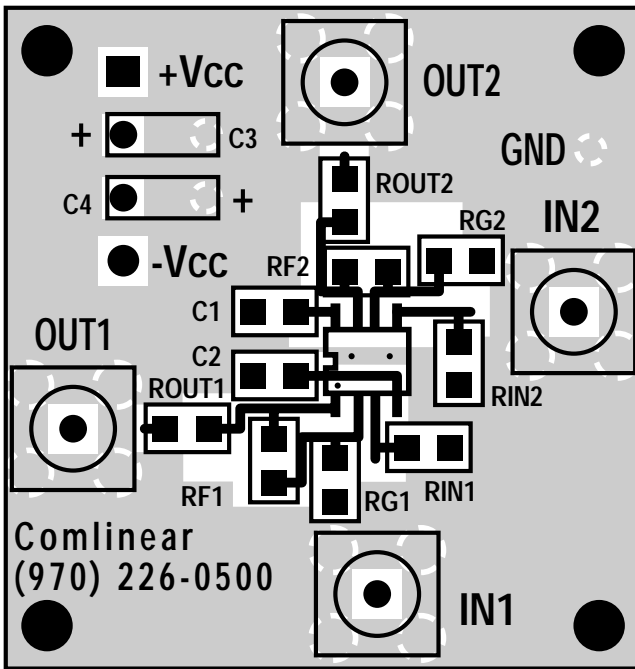
DIP – Top Side



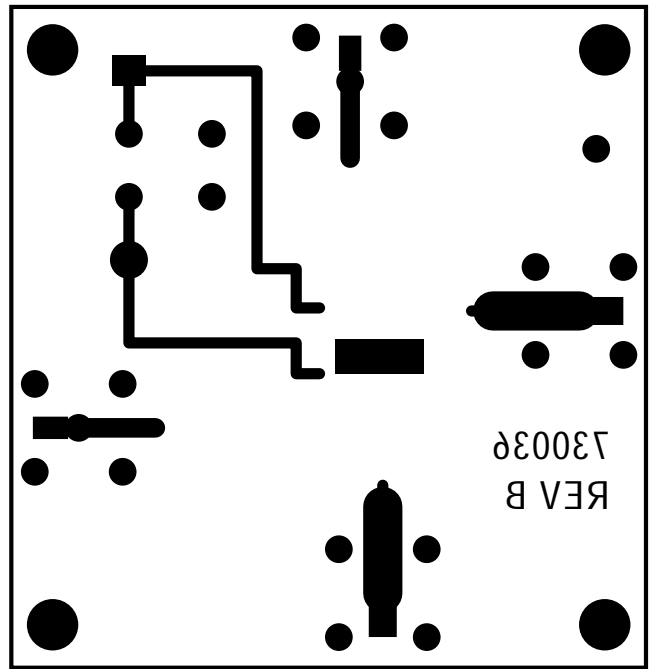
DIP – Bottom Side



SOIC – Top Side



SOIC – Bottom Side



Customer Design Applications Support

National Semiconductor is committed to design excellence. For sales, literature and technical support, call the National Semiconductor Customer Response Group at **1-800-272-9959** or fax **1-800-737-7018**.

Life Support Policy

National's products are not authorized for use as critical components in life support devices or systems without the express written approval of the president of National Semiconductor Corporation. As used herein:

1. Life support devices or systems are devices or systems which, a) are intended for surgical implant into the body, or b) support or sustain life, and whose failure to perform, when properly used in accordance with instructions for use provided in the labeling, can be reasonably expected to result in a significant injury to the user.
2. A critical component is any component of a life support device or system whose failure to perform can be reasonably expected to cause the failure of the life support device or system, or to affect its safety or effectiveness.



National Semiconductor Corporation

1111 West Bardin Road
Arlington, TX 76017
Tel: 1(800) 272-9959
Fax: 1(800) 737-7018

National Semiconductor Europe

Fax: (+49) 0-180-530 85 86
E-mail: europe.support.nsc.com
Deutsch Tel: (+49) 0-180-530 85 85
English Tel: (+49) 0-180-532 78 32
Francais Tel: (+49) 0-180-532 93 58
Italiano Tel: (+49) 0-180-534 16 80

National Semiconductor Hong Kong Ltd.

13th Floor, Straight Block
Ocean Centre, 5 Canton Road
Tsimshatsui, Kowloon
Hong Kong
Tel: (852) 2737-1600
Fax: (852) 2736-9960

National Semiconductor Japan Ltd.

Tel: 81-043-299-2309
Fax: 81-043-299-2408

National does not assume any responsibility for use of any circuitry described, no circuit patent licenses are implied and National reserves the right at any time without notice to change said circuitry and specifications.