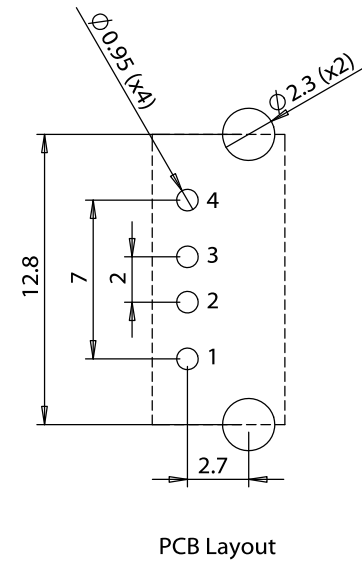
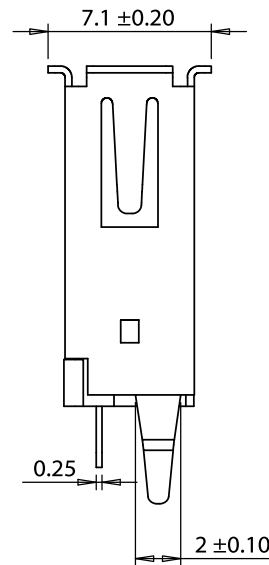
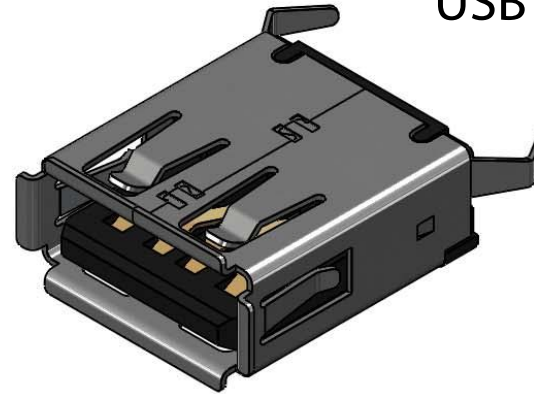
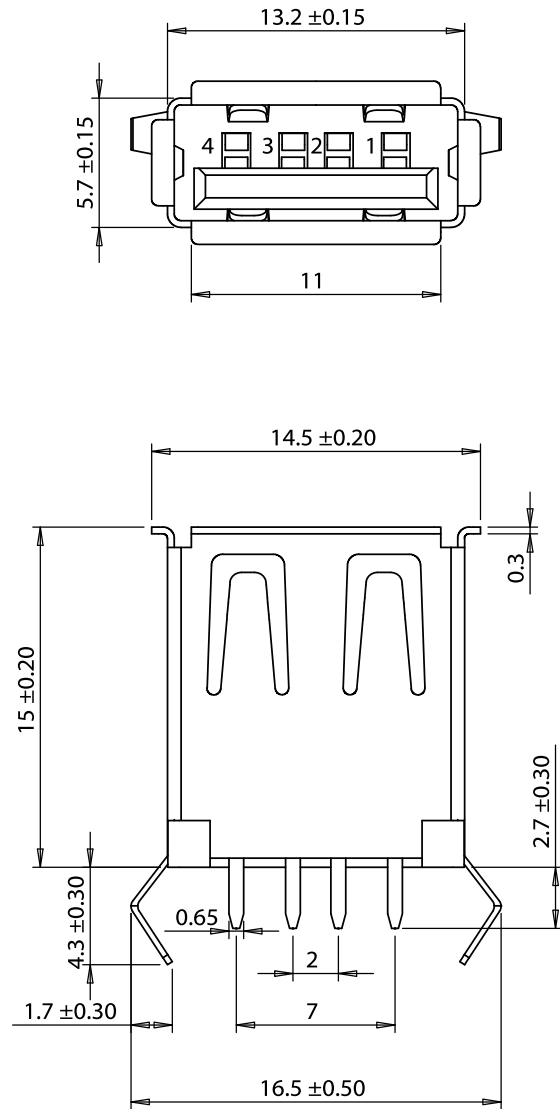


USB A jack 180° PCB mount



Revision:	Date:	Description:
A	09/28/2015	Initial release
A1	07/24/2018	Corrected operating temp range

Prepared:
GL
Digitally signed by GL
Date: 2018.08.06
09:46:56 -07'00'

Verified:
RS
Digitally signed by RS
Date: 2018.08.09
09:54:20 -07'00'

Dimensions are in millimeters.
Tolerances:
X: ± 0.5 mm
X.X: ± 0.3 mm
X.XX: ± 0.05 mm

Notes:

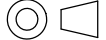
RoHS compliant

Function test: no open, no short circuit, no intermittent

Description:
Connector, USB A Jack, PCB mount, 180°, nickel shell, board lock, black insulator, tray

TENSILITY

tel 1.541.323.3228 800 877.670.7118
fax 1.541.323.4202 web tensility.com

Size: A	Part number: 54-00005
Scale: 3:1	 Sheet 1 of 2

Materials

1. Shell, stainless steel, nickel plated
2. Pins, brass, 5 μ " gold and tin plating
3. Insulator, PBT, black

Electrical

Rated voltage: 30 Vdc
Rated current: 3 A
Dielectric strength: 1 min @ 500 Vac
Insulation resistance: 500 M Ω @ 500 Vdc
Contact resistance: 50 m Ω or less

Mechanical

Insertion force: 3.5 kgf maximum
Withdrawal force: 1.0 kgf minimum
Durability: 1500 mating cycles; less than 100 m Ω contact resistance, minimum 100 M Ω insulation resistance
Terminal strength: 0.3 kgf in any direction without damage or looseness

Soldering

Solderability: 75% minimum coverage when terminals dipped 2 mm in 245 \pm 5 $^{\circ}$ C solder bath for 3 \pm 0.5 seconds
Solder bath durability: no deformation when immersed in 255 \pm 5 $^{\circ}$ C up to surface of the board for 5 seconds or less
Solder iron durability: no deformation when exposed to 350 \pm 10 $^{\circ}$ C for 3 \pm 0.5 seconds

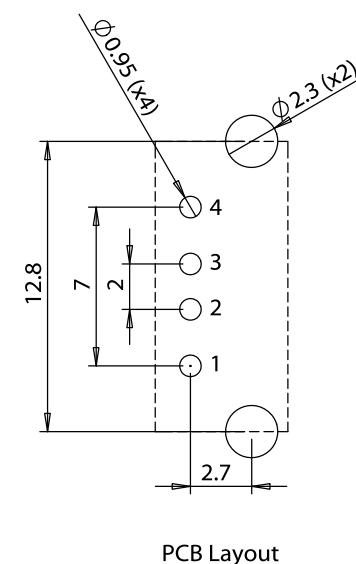
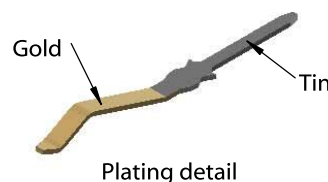
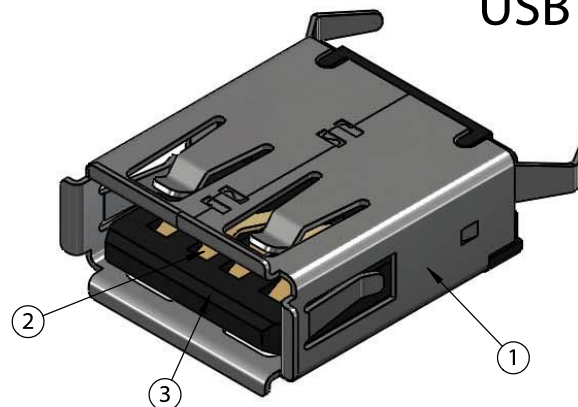
Environmental

Cold test: -40 \pm 3 $^{\circ}$ C for 48 hours without deformation
Heat test: 85 \pm 2 $^{\circ}$ C for 48 hours without deformation
Humidity test: 40 \pm 2 $^{\circ}$ C and humidity between 90 and 98 % for 48 hours without deformation

Operating range

-40 ~ 85 $^{\circ}$ C

USB A jack 180 $^{\circ}$ PCB mount



Revision:	Date:	Description:	Prepared:	Notes:	<h1>TENSILITY</h1> <p>tel 1.541.323.3228 800 877.670.7118 fax 1.541.323.4202 web tensility.com</p>
A	09/28/2015	Initial release	GL <small>Digitally signed by GL Date: 2018.08.06 09:47:17 -07'00'</small>	RoHS compliant	
A1	07/24/2018	Corrected operating temp range	RS <small>Digitally signed by RS Date: 2018.08.09 09:54:32 -07'00'</small>	Function test: no open, no short circuit, no intermittent	
			Dimensions are in millimeters. Tolerances: X: ± 0.5 mm X.X: ± 0.3 mm X.XX: ± 0.05 mm	Description: Connector, USB A Jack, PCB mount, 180 $^{\circ}$, nickel shell, board lock, black insulator, tray	
				Size: A	Part number: 54-00005
				Scale: 3:1	Sheet 2 of 2