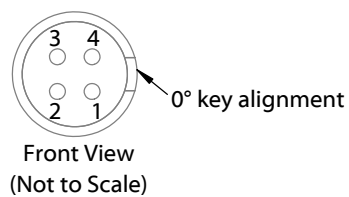
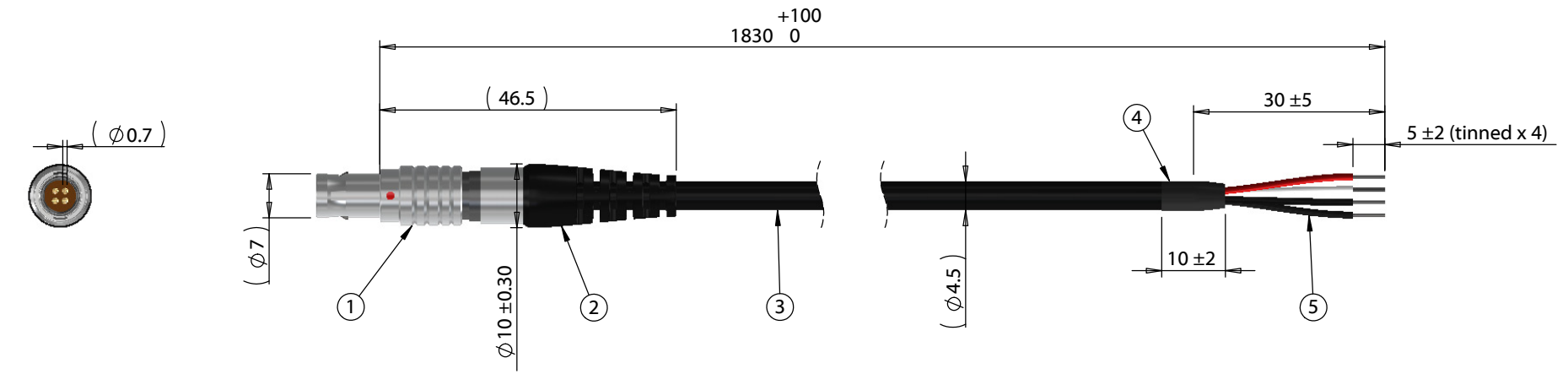


ITEM NO.	PART NUMBER	DESCRIPTION	QTY.	COMPONENT NOTES
1	51-00016.M	Connector, PPL7, 4C, 0° plug, 7x38 mm, chrome, solder, Ø2.2-5.2 mm wire, molding style	1	
2	24-00206	Overmold, PPL7 strian relief, 10x24 mm	1	TPU
3	30-00913	Wire, 3C BC, 24 AWG, UL20280, 300V, 80C, 4.5 mm braided shield, FT2, TPU	1	
4	Heat shrink	Black	1	Covers jacket end
5	Heat shrink	Black	1	Covers drain



Wiring Diagram	
50-00016.M	wire color
1	Red
2	White
3	Black
4	Drain/Shield

Revision: A	Date: 3/27/2018	Description: Preliminary	Prepared: AG <small>Digitally signed by AG Date: 2018.04.19 13:10:23 -0700'</small>	Notes: RoHS compliant Function test: no open, no short circuit, no intermittent	<h1>TENSILITY</h1> <p>tel 1.541.323.3228 800 877.670.7118 fax 1.541.323.4202 web tensility.com</p>
			Verified: AW <small>Digitally signed by AW Date: 2018.04.19 15:40:56 -0700'</small>	Description: Cable, 1830 mm, 4C PPL7 plug 51-00016.M, to stripped tinned, 24 AWG, UL20280 30-00913	
Dimensions are in millimeters. Tolerances: X: ± 0.5 mm X.X: ± 0.3 mm X.XX: ± 0.05 mm					Size: A Part number: 10-02260
					Scale: 1:1 Sheet 1 of 1

5 4 3 2 1

To see a custom version of this cable assembly, call Tensility at 541-323-3228 or email engineering@tensility.com