

Specifications:

connector description (1)	dc plug, 5.5x2.1xL22.5 mm, brass nickel plated, P/N 50-00126
overmold (2,5)	30P, PVC, black
connector description (6)	dc jack, 5.5x2.1xL17.5 mm, molding style, P/N 50-00127
wire description (3)	2C, 18 AWG, UL2468, 300V, 80C, 4.4 mm, VW-1, PVC, 48P, P/N 30-00007
cable outer diameter	Ø4.4 mm
cable color	black
cable length	915 ± 50 mm
twist tie (4)	black
rating	3 A, 36 Vdc

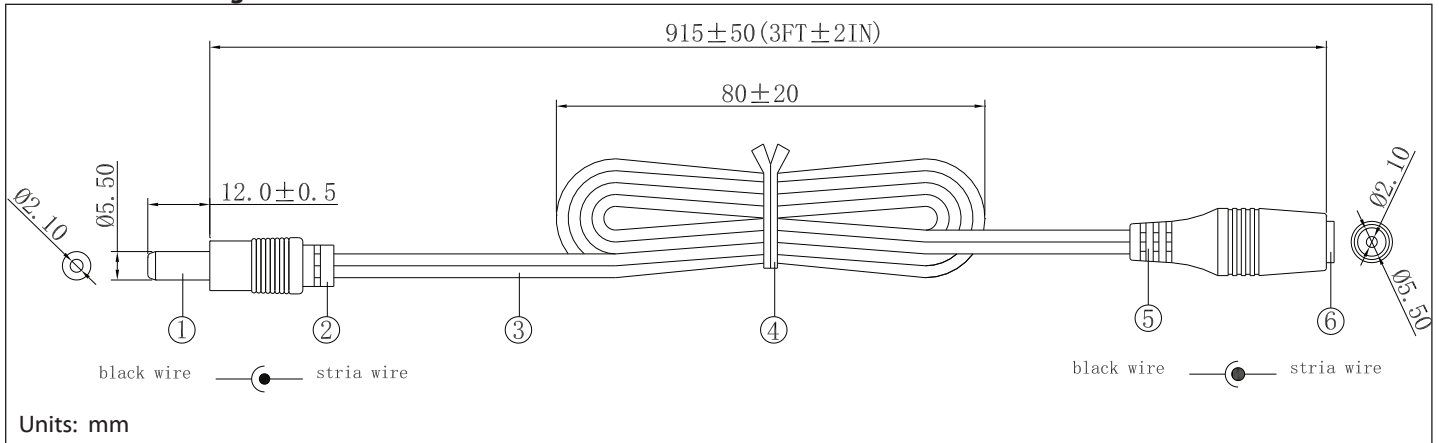
Notes:

Function test: no open, no reversed polarity, no short circuit, no INT

RoHS compliant

Hi-Pot test: 600 Vac, 0.5 mA, 1 second

Mechanical drawing:



tolerance X: ±0.5 mm .X: ±0.3 mm .XX: ±0.05 mm
 applicable unless otherwise indicated in specification or on drawings

Tensility International Corporation reserves the right to substitute parts which are functionally equivalent to the ones specified.

Initial

Date

Revision notes:

Rev	Date	Description
A	January 19, 2009	Re-issued; original specification issued by CUI, re-issued by Tensility without any material or mechanical changes.
A1	August 31, 2011	updated description, connector, and wire information

Specification Approval

Spec sign-off verifies that you have reviewed the entire specification, tested a sample of the product, and confirm that it meets your requirements. This specification reflects the part as it will be ordered. Orders will not be processed until the specification pages have been initialed and the approval page has been signed. This specification is confidential and is not to be transmitted without prior approval from Tensility.

Signature _____

Title _____

Name _____

Date _____

Company _____

Branch _____