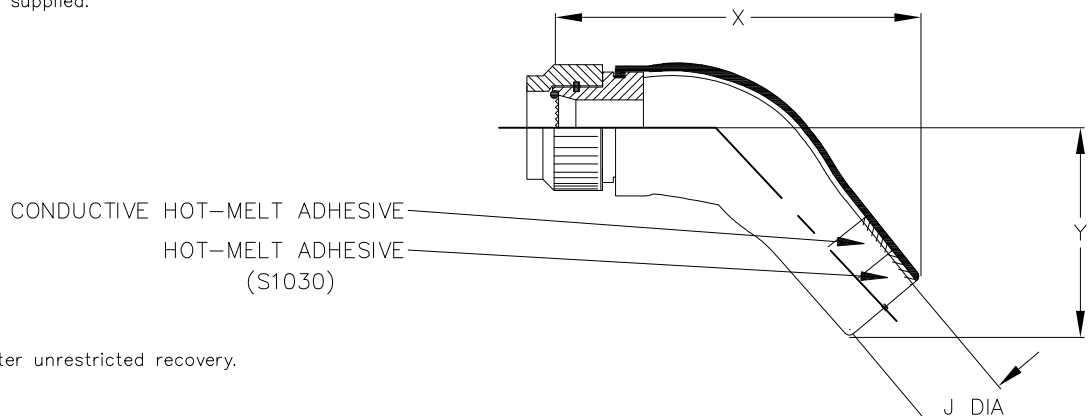


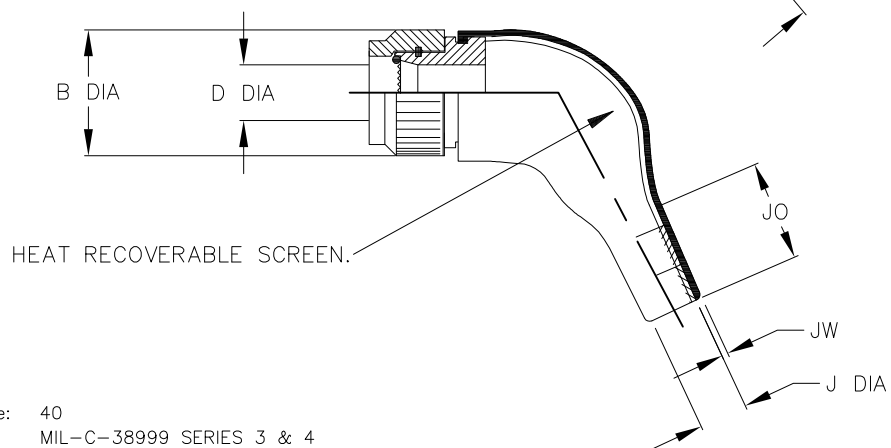
REVISIONS

P	LTR	DESCRIPTION	DATE	DWN	APVD
	5	RELEASED AS PER ECO-17-009529	03JUL2017	KH	MP

a) Part as supplied.



b) Part after unrestricted recovery.



NOTES:

- Raychem Connector Code: 40
- Connector Series: MIL-C-38999 SERIES 3 & 4
- Adaptor Series: 208M7\*\*-19-B\*\*-K-NS (Olive Drab)
- Aluminium Alloy to BS1474 HE30TF, FC1 or 6262
- Cadmium per QQ-P-416, Type II, Class 3
- Over appropriate under plate,
- Per MIL-C-85049 (500 hour salt spray)
- Moulded Part Material: -25C (Black); Elastomer/Silver Composites, Fluid Resistant
- Kits to include cleaning tissue, 1 piece 100 grit emery cloth & packing piece.
- Kit to be used in conjunction with installation guide for 90 & 45 deg. assemblies.

Dimensions in mm [inches for reference]

Part No.	Shell Size	B DIA MAX	D DIA MIN	J		JO REF b	JW ±30% b	X ±20% a	Y ±20% a
				MIN a	MAX b				
KTKK1120	A	19.2 [.76]	6.2 [.24]	7 [.28]	5.0 [.19]	15 [.59]	1.0 [.04]	57 [2.24]	23 [.91]
KTKK1121	B	21.7 [.85]	9.3 [.37]	9 [.35]	6.0 [.24]	17 [.67]	1.0 [.04]	64 [2.52]	29 [1.14]
KTKK1122	C	25.5 [1.00]	12.8 [.50]	11 [.43]	7.2 [.28]	18 [.71]	1.0 [.04]	70 [2.76]	29 [1.14]
KTKK1123	D	29.3 [1.15]	14.1 [.56]	11 [.43]	7.2 [.28]	18 [.71]	1.0 [.04]	70 [2.76]	29 [1.14]
KTKK1124	E	31.9 [1.26]	18.8 [.74]	17 [.67]	8.5 [.33]	20 [.79]	1.0 [.04]	81 [3.19]	36 [1.41]
KTKK1125	F	35.7 [1.41]	18.8 [.74]	17 [.67]	8.5 [.33]	20 [.79]	1.0 [.04]	81 [3.19]	36 [1.41]
KTKK1126	G	38.2 [1.50]	23.6 [.93]	21 [.83]	10.0 [.39]	28 [1.10]	1.5 [.06]	97 [3.82]	45 [1.77]
KTKK1127	H	42.0 [1.65]	23.6 [.93]	21 [.83]	10.0 [.39]	28 [1.10]	1.5 [.06]	97 [3.82]	45 [1.77]
KTKK1128	J	44.6 [1.76]	30.9 [1.22]	29 [1.14]	15.8 [.62]	31 [1.22]	1.5 [.06]	118 [4.65]	59 [2.32]

THIS DRAWING IS UNPUBLISHED.

ALL RIGHTS RESERVED.

COPYRIGHT 2016 By TE Connectivity

DIMENSIONS: mm [INCHES]	DWN K. HOLAL 14OCT2016	MATERIAL SEE NOTES	FINISH SEE NOTES
	CHK N. NAGAR 14OCT2016	TE Connectivity	
TOLERANCES UNLESS OTHERWISE SPECIFIED:	APVD M. POPE 14OCT2016		
0 PLC ± -	PRODUCT SPEC	RESTRICTED TO	
1 PLC ± -	—	—	
2 PLC ± -	APPLICATION SPEC	—	
3 PLC ± -	—	SIZE	CAGE CODE
4 PLC ± -	—	DRAWING NO	RESTRICTED TO
ANGLES ± -	WEIGHT	A4 00779	—
		DRAWING NO: C-KTKK1120-1128	
CUSTOMER DRAWING		SCALE: DNS	SHEET: 1 OF 1
		REV: 5	