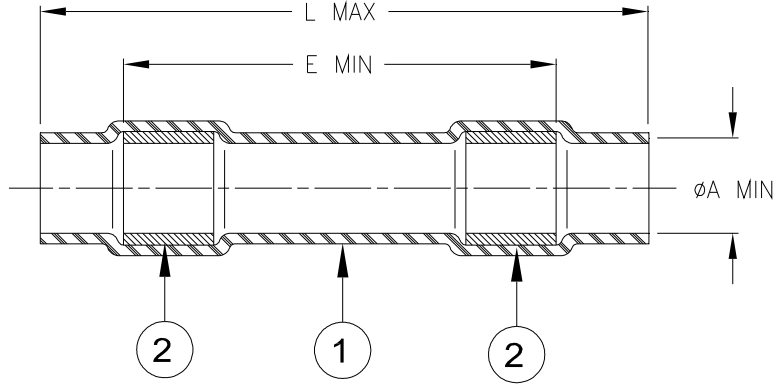


SPECIFICATION CONTROL DRAWING



Product Name	Prod. Rev.	Product Dimensions			Wire Dimensions		Color
		L max	E min	øA min	øD		
					min	max	
D-436-0096	Q	29.2 (1.150)	24.15 (0.950)	2.16 (0.085)	0.63 (0.025)	2.16 (0.085)	Red
D-436-0097	S	29.2 (1.150)	24.15 (0.950)	2.80 (0.110)	0.63 (0.025)	2.80 (0.110)	Blue
D-436-0098	D	29.2 (1.150)	24.15 (0.950)	4.32 (0.170)	0.63 (0.025)	4.32 (0.170)	Yellow

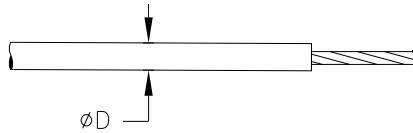
MATERIALS



1. INSULATION SLEEVE: Heat-shrinkable, transparent blue, radiation cross-linked modified polyvinylidene fluoride.
2. SEALING RINGS: Immersion resistant thermoplastic. Color: one clear, one color coded (see table).

APPLICATION

1. These parts are designed to provide an immersion resistant seal on 1 to 1 splices made of wires having an insulation rated for at least +135°C.
2. Temperature range: -55°C to +150°C.
3. Parts may be installed by convection heating.

Wire dimension:



		TE Connectivity 300 Constitution Drive, Menlo Park, CA. 94025, U.S.A.				TITLE: <h3 style="text-align: center;">SEALING SLEEVE</h3>							
Unless otherwise specified dimensions are in millimeters. [Inches dimensions are shown in brackets]				DOCUMENT NO.: <h3 style="text-align: center;">D-436-0096/-0098</h3>									
TOLERANCES: 0.00 N/A 0.0 N/A 0 N/A		ANGLES: N/A ROUGHNESS IN MICRON		TE Connectivity reserves the right to amend this drawing at any time. Users should evaluate the suitability of the product for their application.		PROD. REV.: <h3 style="text-align: center;">SEE TABLE</h3>		DOC. ISSUE: <h3 style="text-align: center;">4</h3>		DATE: <h3 style="text-align: center;">16-Apr-11</h3>			
PREPARED BY: mforonda		DCR NUMBER: D050379		REPLACES: D981035		CAGE CODE: 06090		SCALE: ---		SIZE: A		SHEET: 1 of 1	

Print Date: 9-May-11

© 2011 Tyco Electronics Corporation, a TE Connectivity Ltd. Company. All Rights Reserved.

If this document is printed it becomes uncontrolled. Check for the latest revision.