

4

3

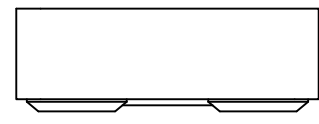
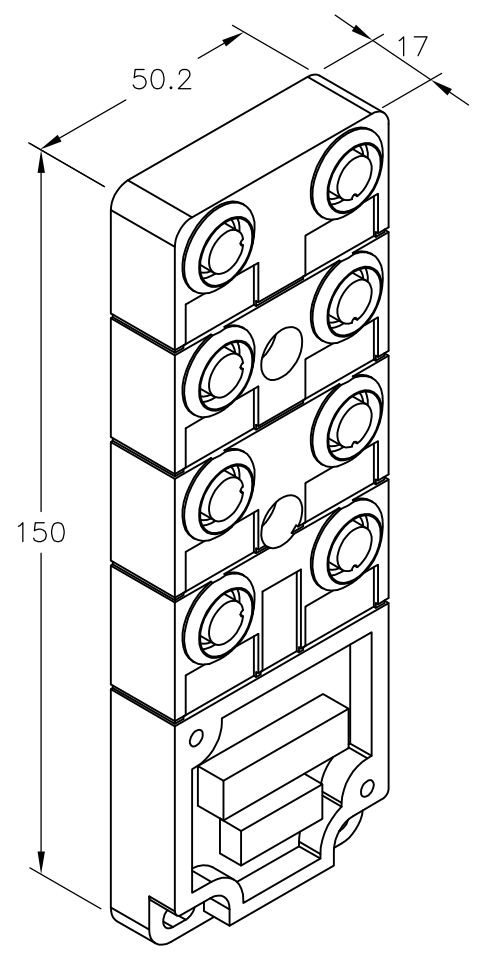
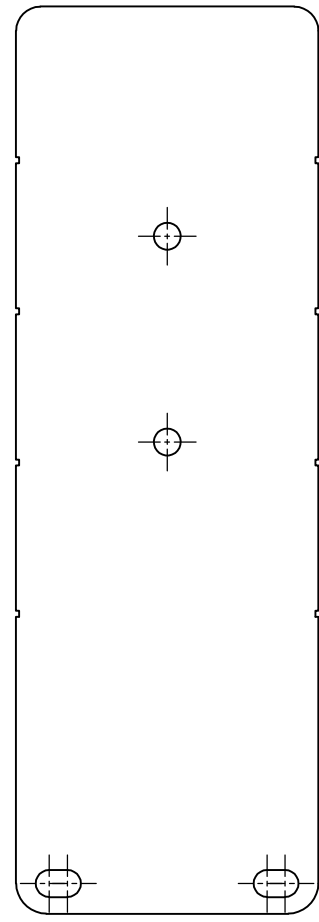
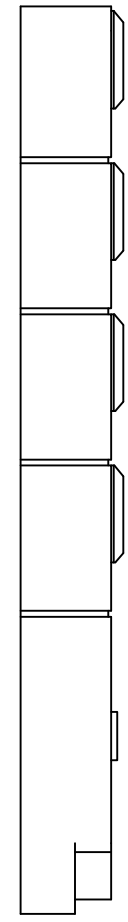
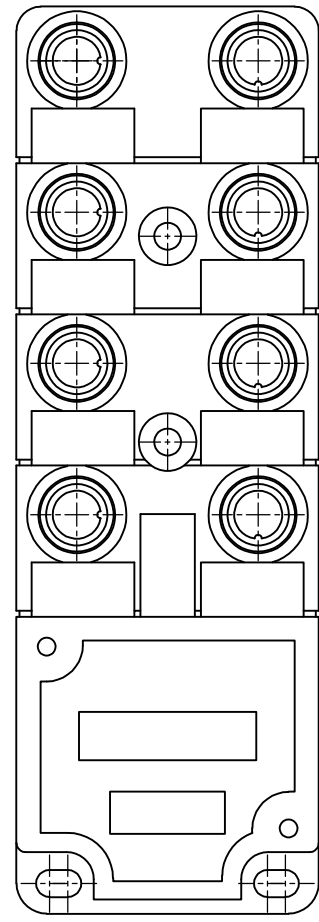
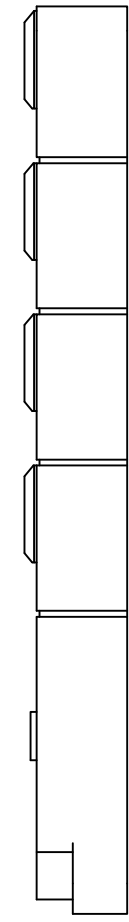
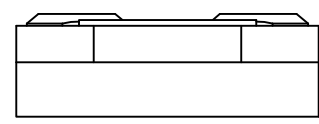
2

1


THIS DRAWING IS UNPUBLISHED.      RELEASED FOR PUBLICATION      --,-- .

© COPYRIGHT - By -      ALL RIGHTS RESERVED.

LOC	DIST	REVISIONS					
H	-	P	LTR	DESCRIPTION	DATE	DWN	APVD
			A	INITIAL RELEASE	16JAN2014	GSK	BvH



Without Homerun Cable	2273156-1
DESCRIPTION	TE PN

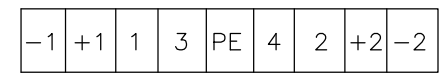
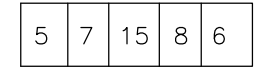
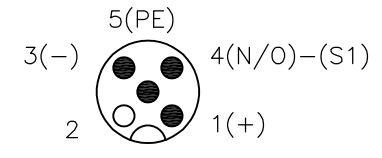
THIS DRAWING IS A CONTROLLED DOCUMENT.		DWN	16JAN2014	 <b>TE Connectivity</b>				
DIMENSIONS: mm		CHK	16JAN2014					
TOLERANCES UNLESS OTHERWISE SPECIFIED:		B.VELDHOVEN					NAME	
0 PLC ± - 1 PLC ± - 2 PLC ± - 3 PLC ± - 4 PLC ± - ANGLES ± -		A.VAN ZANDVOORT					DISTR BOX M12 4POS 8WAY PNP	
MATERIAL		FINISH		PRODUCT SPEC	-			
-		-		APPLICATION SPEC	-			
		WEIGHT		SIZE	CAGE CODE	DRAWING NO	RESTRICTED TO	
		-		A3	00779	C-2273156	-	
CUSTOMER DRAWING				SCALE	NTS	SHEET	1 OF 2	
				REV A				

THIS DRAWING IS UNPUBLISHED. RELEASED FOR PUBLICATION  
 © COPYRIGHT - By - ALL RIGHTS RESERVED.

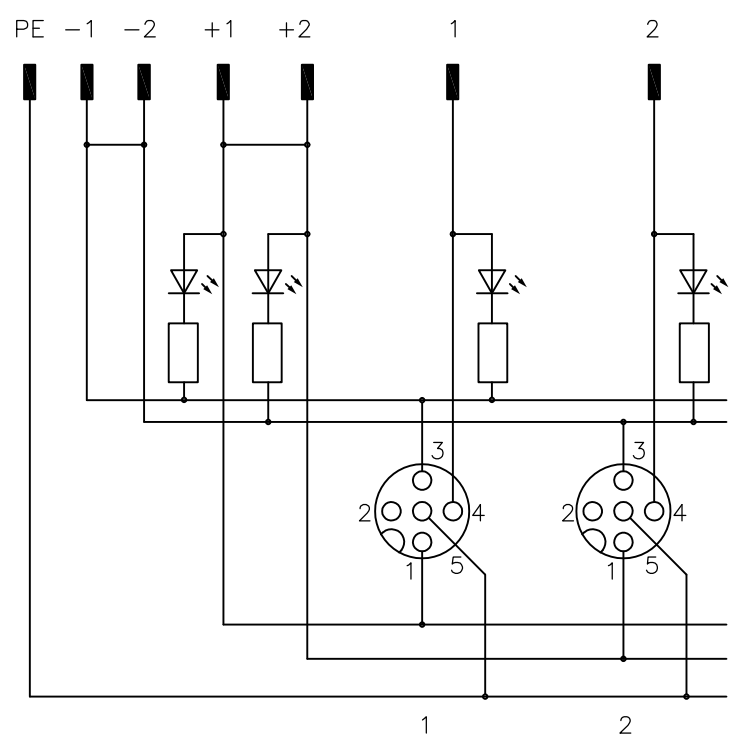
LOC	DIST	REVISIONS					
H	-	P	LTR	DESCRIPTION	DATE	DWN	APVD
		-		SEE SHEET 1	-	-	-

### Contact layout

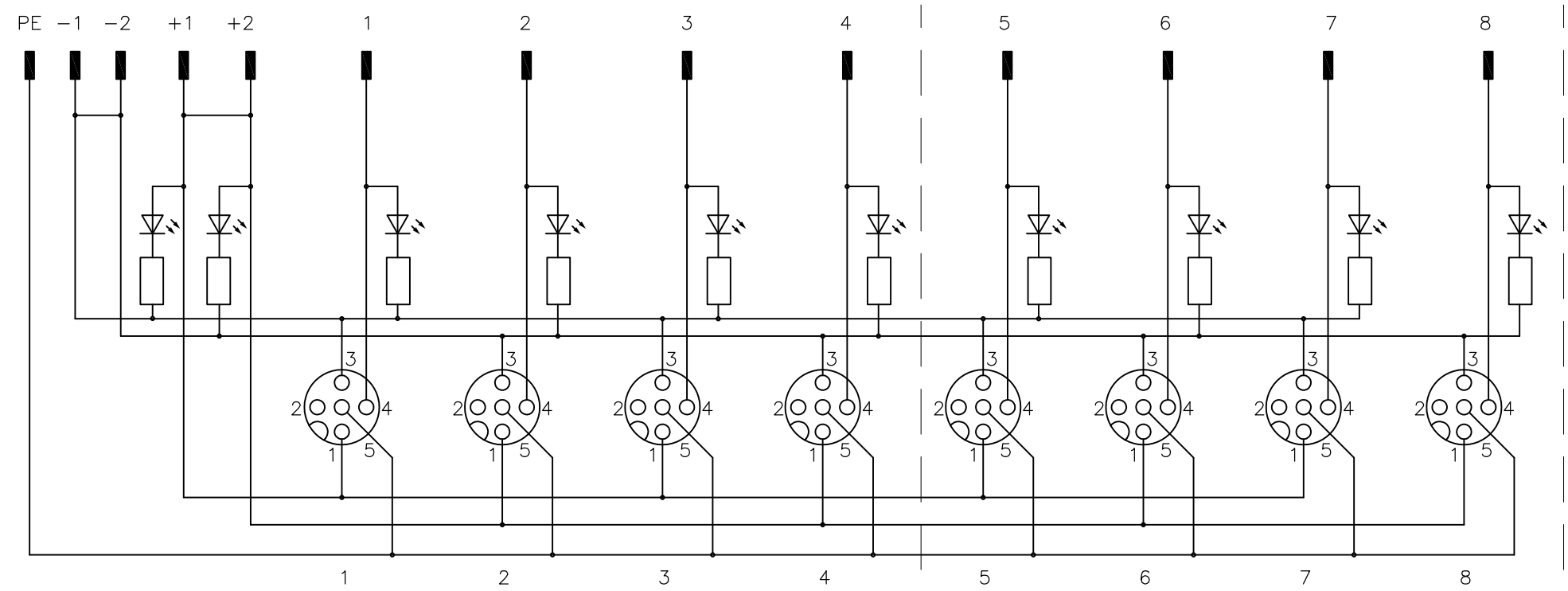
M12-Females 4-pole



### Circuit diagram



for 1 Signal per port



4xM12

8xM12

THIS DRAWING IS A CONTROLLED DOCUMENT.		DWN 16JAN2014 SATHISH KUMAR .G	TE Connectivity	
DIMENSIONS: mm		CHK 16JAN2014 B.VELDHOVEN		
TOLERANCES UNLESS OTHERWISE SPECIFIED:		APVD 16JAN2014 A.VAN ZANDVOORT	DISTR BOX M12 4POS 8WAY PNP	
		PRODUCT SPEC	-	
MATERIAL		APPLICATION SPEC	-	
FINISH		WEIGHT	SIZE	RESTRICTED TO
-		-	A3 00779	-
		CUSTOMER DRAWING	DRAWING NO	SCALE
			C=2273156	NTS
			SHEET	REV
			2 OF 2	A