

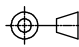

CODE 21 - BRAID TAIL BACKSHELL

206M016-19B08

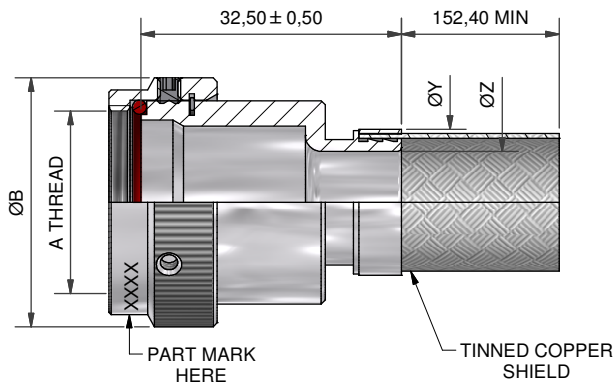
SERIES _____
 ORDER NUMBER (TABLE 1) _____
 MATERIAL _____
 REFER TO CH00-0250-004
 FINISH _____
 REFER TO CH00-0250-004
 ENTRY SIZE (TABLE 2) _____
 MODIFICATION CODE _____
 REFER TO CH00-0250-004 (2)

NOTES:

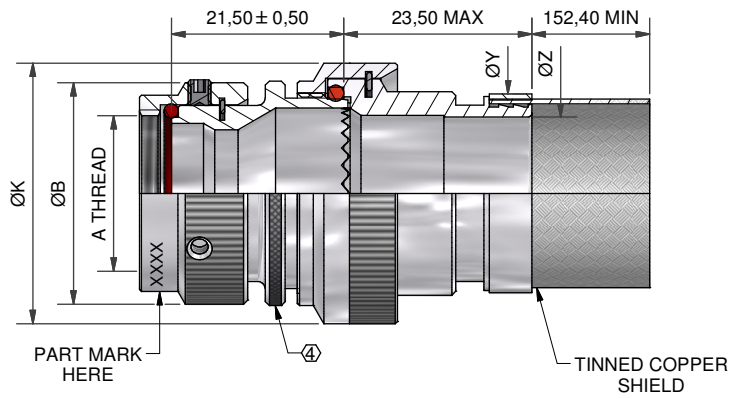
1. THIS PRODUCT IS DESIGNED TO TERMINATE A HEAT SHRINKABLE LIPPED BOOT TO A CONNECTOR.
- (2) FOR ADDITIONAL DIMENSIONS, ORDERING INFORMATION AND MODIFICATIONS, SEE CH00-0250-004
3. BACKSHELL TO BE PERMANENTLY MARKED/BAGGED AND LABELLED WITH CODE IDENTIFICATION NUMBER AND PART NUMBER. (e.g. 06090-206M016-19B08).
- (4) WHEN ENTRY SIZE EXCEEDS "MAX ENTRY", A 2 PIECE BACKSHELL (TYPE 2) IS SUPPLIED.
5. BRAID TERMINATION RING MAY BE SUPPLIED AS TINEL-LOCK SHAPE MEMORY RING AT MANUFACTURERS OPTION.
- (6) BACKSHELL MATES TO MIL-DTL-26482 SERIES I, MS3110, MS3116, MS3120, MS3126 CLASS E AND F CONNECTORS.
- (7) ANTI-ROTATIONAL SET SCREW, 3 THREADED HOLES $120^\circ \pm 5^\circ$ APART, SINGLE MATING SET SCREW SUPPLIED.

| | | | | | | | | |
|--|----------------------------------|--------------------|---|--------------------------------------|--|---------------------------------------|--|------------------------|
| DRAWN | K.WINCZURA | DATE 19/02/2015 |  | 3RD ANGLE PROJECTION NOT TO SCALE | TITLE: | BRAID TAIL BACKSHELL (CODE 21) |  Polamco <small>connectivity</small> | |
| CHECKED | | 19/02/2015 | | | | | | |
| APPROVED | K.SHEPPARD | 24/02/2015 | UNLESS OTHERWISE SPECIFIED ALL DIMENSIONS IN MILLIMETRES | | | | | |
| APPROVED | H.SMITH | 01/10/2015 | GENERAL TOL LINEAR +/-0.25MM ANGULAR +/- 1° | | | | | |
| REVISIONS | | | | | | | | |
| LTR | DESCRIPTION | DATE | APPROVED | | ASSY USED ON: | MIL-DTL-26482 SERIES I | | |
| L | REVISED PER ECO-15-003575 | 06/03/2015 | I.MYONG | | | | | |
| M | REVISED PER ECO-15-013980 | 01/10/2015 | H.SMITH | | | | | |
| TE CAGE CODE: 06090 POLAMCO/TE CAGE CODE: U5792 | | | | | TE CONNECTIVITY - POLAMCO LTD RESERVES THE RIGHT TO AMEND THIS DRAWING AND THE INFORMATION SET FORTH HEREON AT ANY TIME. USERS SHOULD INDEPENDENTLY EVALUATE THE SUITABILITY OF THE PRODUCT FOR THEIR APPLICATION. | DRAWING NO: 206M0XX | DRAWING REV: M | SHT 1 |

IF MAX ENTRY IS EXCEEDED BACKSHELL
WILL BE SUPPLIED AS TYPE 2



STRAIGHT BACKSHELL - TYPE 1



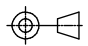
STRAIGHT BACKSHELL - TYPE 2

TABLE 1

| ORDER NUMBER | SHELL SIZE ⊕ | A THREAD | ØB MAX | MAX ENTRY |
|--------------|-----------------|---------------|--------|-----------|
| 08 | 8 | 7/16-28UNEF | 18,05 | 04 |
| 10 | 10 | 9/16-24UNEF | 21,55 | 06 |
| 12 | 12 | 11/16-24UNEF | 24,65 | 08 |
| 14 | 14 | 13/16-20UNEF | 27,65 | 10 |
| 16 | 16 | 15/16-20UNEF | 31,05 | 12 |
| 18 | 18 | 1 1/16-18UNEF | 34,35 | 13 |
| 20 | 20 | 1 3/16-18UNEF | 37,55 | 15 |
| 22 | 22 | 1 5/16-18UNEF | 40,55 | 17 |
| 24 | 24 | 1 7/16-18UNEF | 43,55 | 18 |

TABLE 2

| ENTRY SIZE | ØK MAX | ØZ REF | ØY REF |
|------------|--------|--------|--------|
| 03 | NA | 4,77 | 13,1 |
| 04 | NA | 6,35 | 13,1 |
| 05 | 21,0 | 7,92 | 13,1 |
| 06 | 21,0 | 9,52 | 17,9 |
| 07 | 21,0 | 11,12 | 17,9 |
| 08 | 24,5 | 12,70 | 17,9 |
| 09 | 24,5 | 14,27 | 17,9 |
| 10 | 29,0 | 15,87 | 24,2 |
| 11 | 32,5 | 17,47 | 24,2 |
| 12 | 32,5 | 19,05 | 24,2 |
| 13 | 35,5 | 20,62 | 24,2 |
| 14 | 35,5 | 22,23 | 30,6 |
| 15 | 37,0 | 23,82 | 30,6 |
| 16 | 37,0 | 25,40 | 30,6 |
| 17 | 40,0 | 26,98 | 33,2 |
| 18 | 40,0 | 28,60 | 33,2 |
| 20 | 43,5 | 31,80 | 42,0 |
| 21 | 48,5 | 33,34 | 42,0 |
| 22 | 48,5 | 35,00 | 42,0 |
| 24 | 52,1 | 38,10 | 42,0 |
| 28 | 58,5 | 44,45 | 49,0 |

| | | | | |
|-----------------|------------|------|------------|--|
| DRAWN | K.WINCZURA | DATE | 19/02/2015 |  3RD ANGLE PROJECTION NOT TO SCALE UNLESS OTHERWISE SPECIFIED ALL DIMENSIONS IN MILLIMETRES GENERAL TOL LINEAR +/-0,25MM ANGULAR +/- 1° |
| CHECKED | | DATE | 19/02/2015 | |
| APPROVED | K.SHEPPARD | DATE | 24/02/2015 | |
| APPROVED | H.SMITH | DATE | 01/10/2015 | |

TITLE:

BRAID TAIL BACKSHELL (CODE 21)

ASSY USED ON:

MIL-DTL-26482 SERIES I



| REVISIONS | | | |
|-----------|---------------------------|------------|----------|
| LTR | DESCRIPTION | DATE | APPROVED |
| L | REVISED PER ECO-15-003575 | 06/03/2015 | I.MYONG |
| M | REVISED PER ECO-15-013980 | 01/10/2015 | H.SMITH |

TE CAGE CODE: 06090
POLAMCO/TE CAGE CODE: U5792

TE CONNECTIVITY - POLAMCO LTD RESERVES THE RIGHT TO AMEND THIS DRAWING AND THE INFORMATION SET FORTH HEREON AT ANY TIME. USERS SHOULD INDEPENDENTLY EVALUATE THE SUITABILITY OF THE PRODUCT FOR THEIR APPLICATION.

DRAWING NO:
206M0XX

DRAWING REV:
M

SHT
2